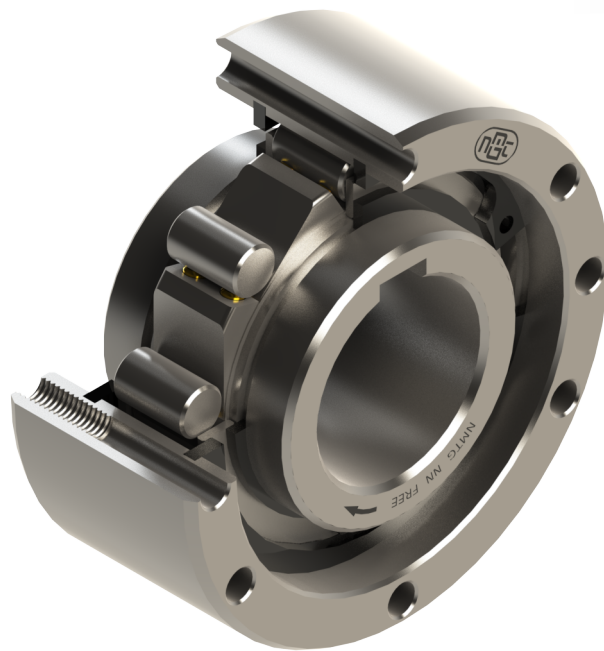


Freewheel One way clutch / Backstop Clutch NN Model

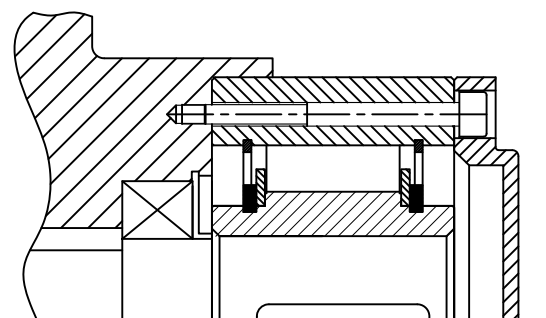


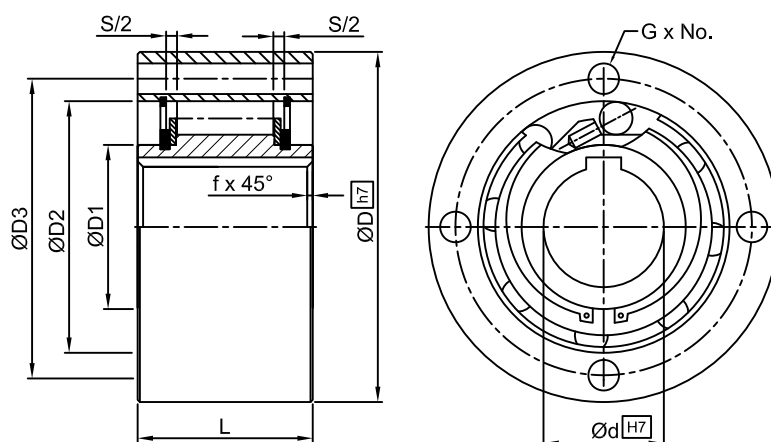
NN

◆ Features :

- Trapped rollers Freewheels NN model is non-bearing supported, So bearings are required to support axial & radial loads.
- Lubrication & Sealing must be provided for Installation.
- Standard Lubrication is Oil.
- Inner race is keyed to shaft & Outer race should be fitted in Housing with a H7 Tolerance.
- Connection of Outer race is through Bolts of grade 10.9 or better.
- This Design can accept an axial misalignment of inner & outer race of $\pm S/2$.
- Bore range : up to 250 mm
- Transmitting torque : 225000 Nm

◆ Mounting Example:





NN

d (H7) mm	Max. Torque Nm	Max. Overrunning Inner Outer RPM	D (h7) mm	D1 mm	D2 mm	D3 mm	L mm	S mm	G x No.	f mm	Weight kg
12	17	3100 6200	47	20	28	38	20	4.5	5.5 x 3	0.5	0.21
15	55	2300 5600	55	26	37	45	30	4.5	5.5 x 3	0.8	0.44
20	146	2000 4800	68	35	50	58	34	5.5	5.5 x 4	0.8	0.70
25	285	1700 4000	90	45	68	78	37	6.5	5.5 x 6	1	1.30
30	500	1500 3400	100	50	75	87	44	6.5	6.6 x 6	1	2
35	720	1300 2800	110	55	80	96	48	6.5	6.6 x 6	1	2.60
40	1030	1200 2500	125	60	90	108	56	7.6	9 x 6	1.5	3.90
45	1125	1050 2200	130	65	95	112	56	7.6	9 x 8	1.5	4
50	2150	950 2050	150	75	110	132	63	7.6	9 x 8	1.5	6
55	2675	850 1950	160	82	115	138	67	7.6	11 x 8	2	7.20
60	3500	800 1800	170	90	125	150	78	7.6	11 x 10	2	9.20
70	5813	650 1700	190	100	140	165	95	7.6	11 x 10	2.5	11.80
80	6250	500 1500	210	115	160	185	100	7.6	11 x 10	2.5	15.60
90	10750	400 1300	230	130	180	206	115	7.6	14 x 10	3	24.70
100	15000	350 1150	270	150	210	240	120	7.6	18 x 10	3	35.80
120	25000	230 900	310	180	240	278	140	9.6	18 x 12	4	54.30
150	57500	160 600	400	230	310	360	180	9.6	22 x 12	4	116
200	135000	125 460	520	260	400	460	240	10.6	26 x 18	5	267
250	225000	100 380	610	320	480	545	300	10.6	33 x 20	5	461

Notes :

- 1) Function : Overrunning
- 2) $T_{max} = 2 \times T_n$.
- 3) The maximum Overrunning speeds are for Oil lubrication only.
- 4) Shaft dia. is to be controlled within h6/j6.
- 5) Keyway as per DIN 6885 - 1.
- 6) Other sizes on request.
- 7) All dimensions are in m.m.
- 8) We manufacturing in inch series also.

DISTRIBUTED BY

Ordering Example :

- When ordering please specify bore dia.
- **NN 50 - 50**

