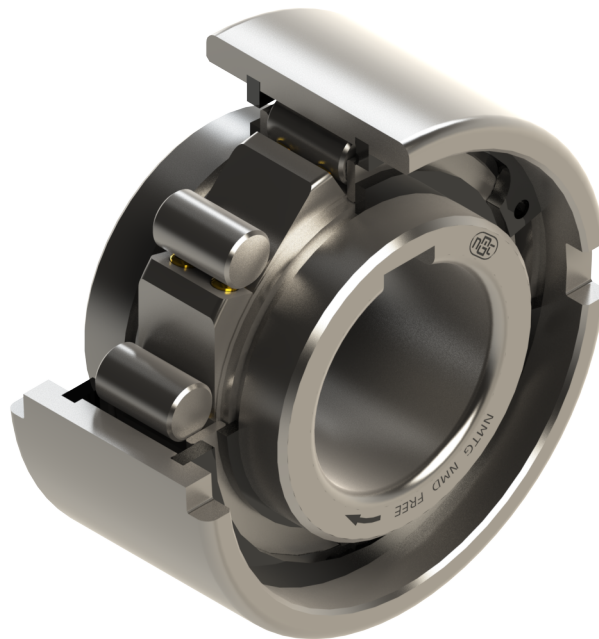


Freewheel One way clutch NMD Model

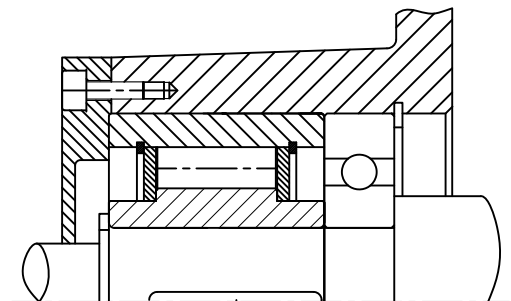


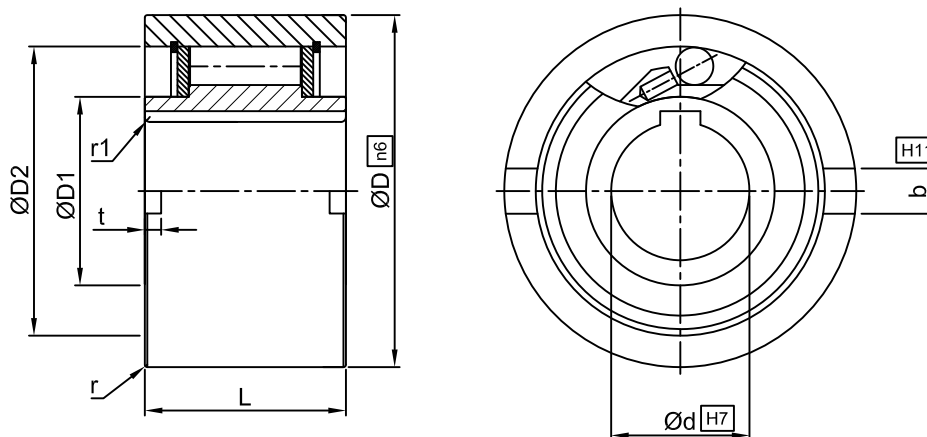
NMD

◆ Features :

- Trapped rollers Freewheels NMD model is non-bearing supported, So bearings are required to support axial & radial loads.
- Lubrication & Sealing must be provided for Installation.
- Standard Lubrication is Oil.
- Inner race is keyed to shaft & Outer race has a positive n6 Tolerance to give a press fit in Housing with a H7 Tolerance. Additional side notches are provided for positive Torque Transmission.
- If the Housing Tolerance is to K6, use of notches is not necessary, but the Housing must be strong enough to not expand after Assembly.
- Bore range : up to 150 mm
- Transmitting torque : 44375 Nm

◆ Mounting Example:





NMD

d (H7)	Max. Torque	Max. Overrunning Inner	Max. Overrunning Outer	D (n6)	D1	D2	L	r	r1	b	t	Weight
mm	Nm	RPM		mm	mm	mm	mm	mm	mm	mm	mm	kg
8	20	5000	6000	37	20	30	20	1	1.5	6	3	0.1
12	20	5000	6000	37	20	30	20	1	1.5	6	3	0.1
15	78	4500	5400	47	26	37	30	1.5	1.5	7	3.5	0.3
20	188	3000	3600	62	37	52	36	2	2	8	3.5	0.6
25	250	2200	2600	80	49	68	40	2.5	2	9	4	1.1
30	500	1800	2100	90	52.5	75	48	2.5	2	12	5	1.6
35	663	1600	1950	100	58	80	53	2.5	2.5	13	6	2.3
40	1100	1250	1700	110	62	90	63	3	2.5	15	7	3.1
45	1500	1100	1500	120	69	95	63	3	2.5	16	7	3.7
50	2375	850	1300	130	82	110	80	3.5	3	17	8.5	5.4
55	2500	800	1200	140	83	115	80	3.5	3	18	9	6.1
60	4250	700	1100	150	93.5	125	95	3.5	3.5	18	9	8.5
70	5875	620	900	170	106	140	110	3.5	3.5	20	9	13
80	10000	550	800	190	122	160	125	4	3.5	20	9	18
90	17250	480	700	215	133	180	140	4	4	24	11.5	25.3
100	19625	400	600	260	157	210	150	4	4	28	14.5	42.1
130	34750	300	480	300	188	240	180	5	5	32	17	65
150	44375	250	400	320	205	260	180	5	5	32	17	95

Notes :

- 1) Function : Overrunning
- 2) $T_{max} = 2 \times T_n$.
- 3) The maximum Overrunning speeds are for Oil lubrication only.
- 4) Shaft dia. is to be controlled within h6/j6.

- 5) Keyway as per DIN 6885 - 1.
- 6) Other sizes on request.
- 7) All dimensions are in m.m.
- 8) We manufacturing in inch series also.

Ordering Example :

- When ordering please specify bore dia.
- **NMD 50 - 50**