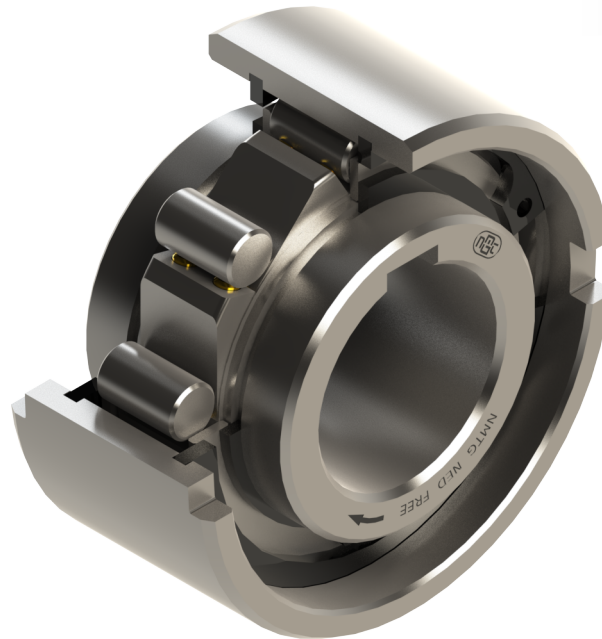


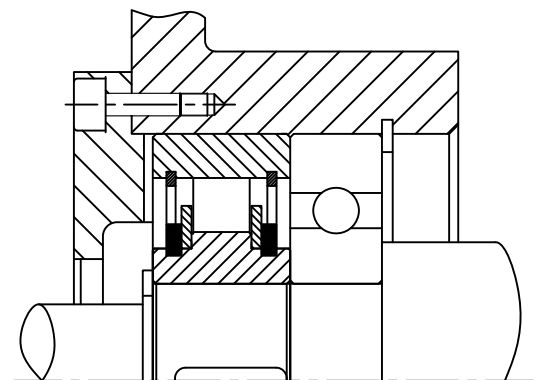
Freewheel One way clutch NED Model

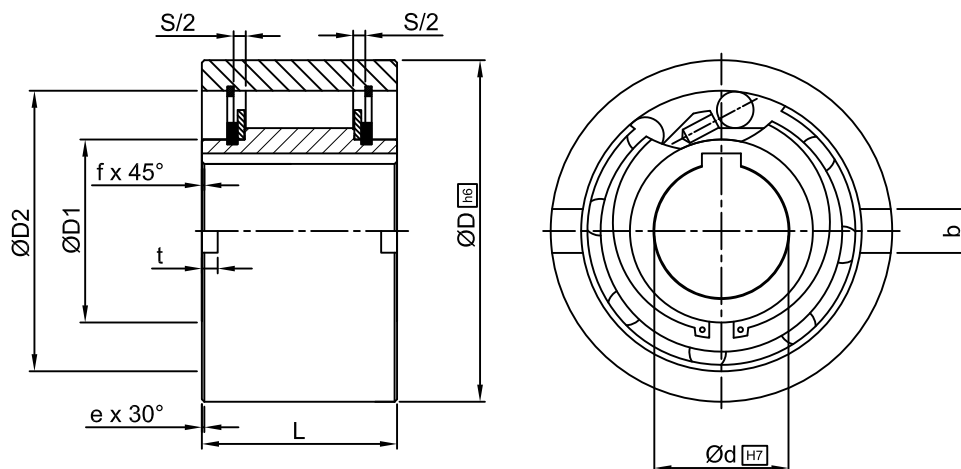


◆ Features :

- Trapped rollers Freewheels NLD model is non-bearing supported, So bearings are required to support axial & radial loads.
- Lubrication & Sealing must be provided for Installation.
- Inner race is keyed to shaft & Outer race has h6 Tolerance & should be fitted in Housing with a K7 Tolerance. Additional notches are provided in outer race for positive Torque Transmission.
- If Housing is to R6 Tolerance, use of notches is not necessary, but Outer Housing must be strong enough to not expand after assembly.
- This Design can accept an axial misalignment of inner & outer race of $\pm S/2$.
- Bore range : up to 70 mm
- Transmitting torque : 5813 Nm

◆ Mounting Example:





NED

d (H7)	Max. Torque	Max. Overrunning Inner	Max. Overrunning Outer	D (h6)	D1	D2	L	S	e	b	t	f	Weight
mm	Nm	RPM		mm	mm	mm	mm	mm	mm	mm	mm	mm	kg
12	17	3100	6000	37	20	28	20	4.5	0.8	6	3	0.5	0.11
15	55	2300	5400	47	26	37	30	4.5	1.2	7	3.5	0.8	0.30
20	146	2000	3600	62	35	50	34	5.5	1.2	8	3.5	0.8	0.55
25	285	1700	2600	80	45	68	37	6.5	1.8	9	4	1	0.98
30	500	1500	2100	90	50	75	44	6.2	1.8	12	5	1	1.50
35	720	1300	1950	100	55	80	48	3.8	1.8	13	6	1	2
40	1030	1200	1700	110	60	90	56	3.8	1.8	15	7	1.5	2.80
45	1125	1050	1600	120	65	95	56	3.8	2.6	16	7	1.5	3.30
50	2150	950	1300	130	75	110	63	5.8	2.6	17	8	1.5	4.20
55	2675	850	1200	140	82	115	67	3.8	2.6	18	9	2	5.20
60	3500	800	1100	150	90	125	78	7.6	2.6	18	9	2	6.80
70	5813	650	900	170	100	140	95	7.6	2.6	20	9	2.5	10.5

Notes :

- 1) Function : Overrunning
- 2) $T_{max} = 2 \times T_n$.
- 3) The maximum Overrunning speeds are for Oil lubrication only.
- 4) Shaft dia. is to be controlled within h6/j6.

- 5) Keyway as per DIN 6885 - 1.
- 6) Other sizes on request.
- 7) All dimensions are in m.m.
- 8) We manufacturing in inch series also.

DISTRIBUTED BY

Ordering Example :

- When ordering please specify bore dia.
- **NED 50 - 50**

