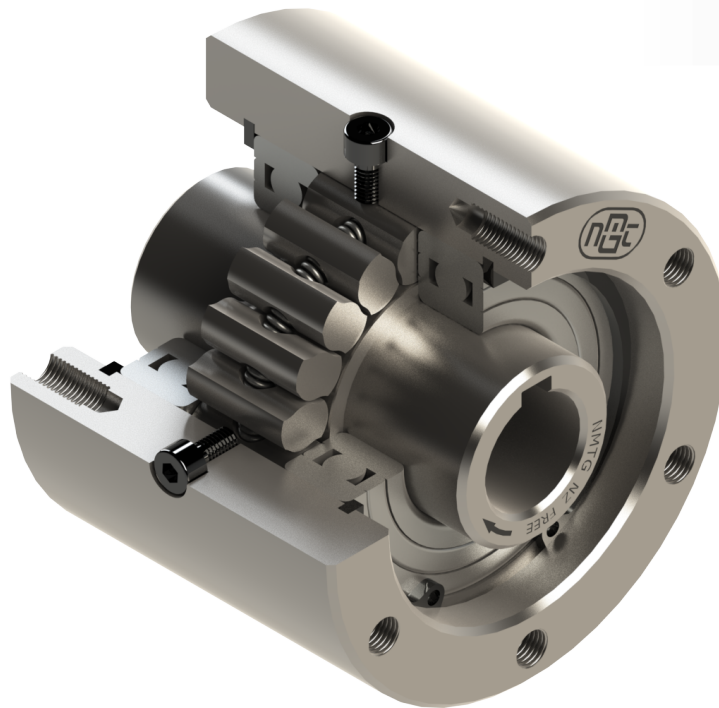


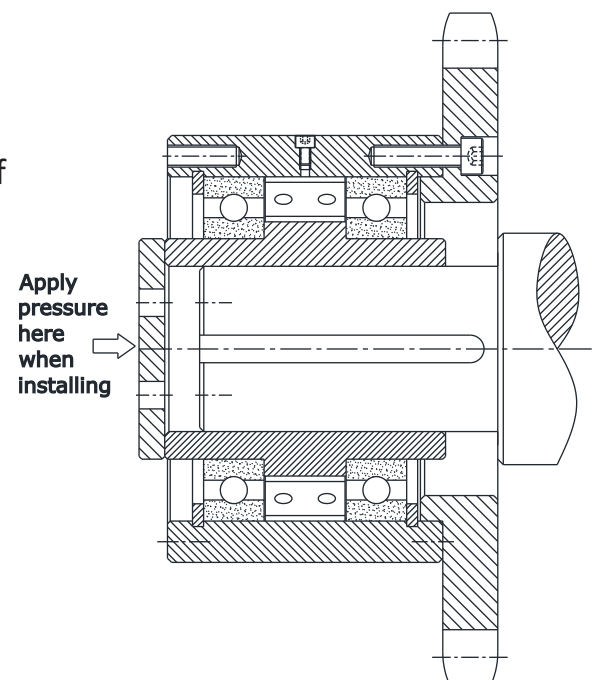
Freewheel One way clutch / Overrunning Clutch NZ Model

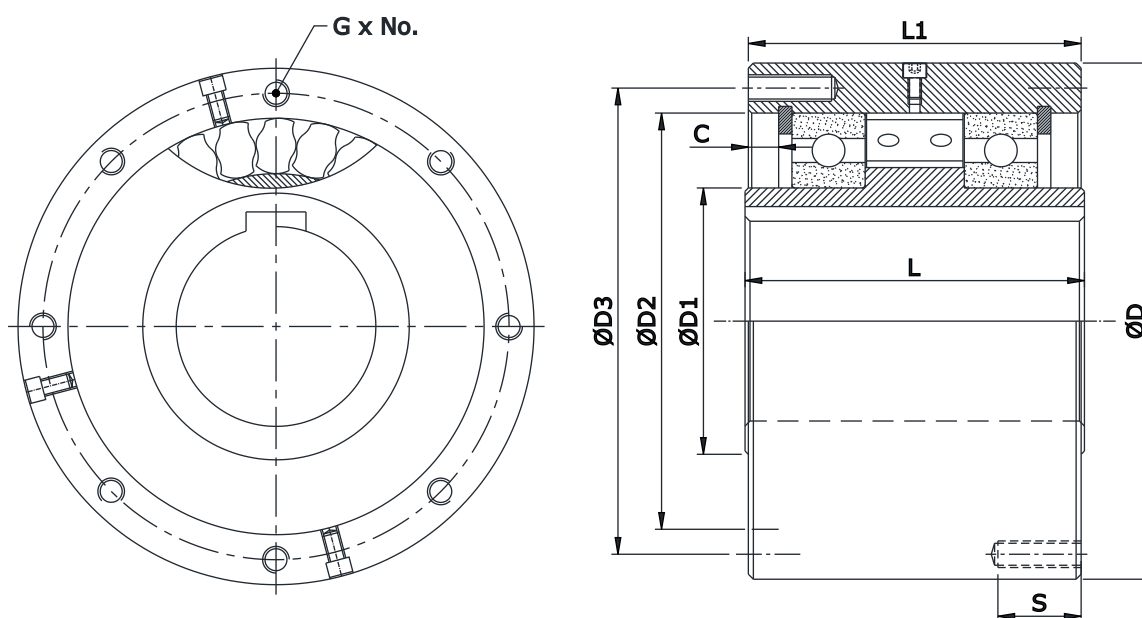


❖ Features:

- This type of Clutch is shielded by shield bearings on both ends.
- For attaching Gears, sprockets, etc, insert Hubs with f7 Tolerance along inner surface of Outer race & screw the bolts into Tapped Holes.
- External Thrust load should be supported by other devices, Not by Freewheel Clutch.
- Requires Grease Lubrication.
- Bore range: up to 70 mm.
- Transmitting torque: 3040 Nm.

◆ Mounting Example:





Model	Torque capacity (Tn) (Nm)	Max. Overrunning Inner Outer (RPM)	Bore size Dia. Keyway (H7) mm	D(h7) mm	D3 mm	D2 mm	D1 mm	L mm	L1 mm	C mm	S mm	G x No.	Weight kg		
NZ 15	186	2200	900	15	5 x 2.3	68	58	47	25	62	60	5.5	10	M5 x 6	1.4
NZ 17	215	2000	800	17	5 x 2.3	75	64	52	28	66	64	6.3	10	M5 x 6	1.8
NZ 20	323	1900	700	20	6 x 2.8	80	68	55	30	67	65	7.6	12	M6 x 6	2
NZ 30-22	735	1800	500	22	6 x 2.8	100	88	75	45	82	80	8.9	16	M8 x 6	3.7
NZ 30-25	735	1800	500	25	8 x 3.3	100	88	75	45	82	80	8.9	16	M8 x 6	3.7
NZ 30	735	1800	500	30	10 x 3.3	100	88	75	45	82	80	8.9	16	M8 x 6	3.7
NZ 35	1080	1700	300	35	10 x 3.3	110	95	80	50	87	85	8.7	16	M8 x 6	4.8
NZ 45-40	1620	1700	300	40	12 x 3.3	125	110	95	60	92	90	8.4	16	M8 x 8	6.2
NZ 45	1620	1700	300	45	14 x 3.8	125	110	95	60	92	90	8.4	16	M8 x 8	6.2
NZ 60-50	2110	1600	250	50	14 x 3.8	155	140	125	80	102	100	9.1	16	M8 x 8	10.2
NZ 60-55	2110	1600	250	55	16 x 4.3	155	140	125	80	102	100	9.1	16	M8 x 8	10.2
NZ 60	2110	1600	250	60	18 x 4.4	155	140	125	80	102	100	9.1	16	M8 x 8	10.2
NZ 70-65	3040	1300	250	65	18 x 4.4	175	162	145	95	105	103	8.6	16	M8 x 8	13.2
NZ 70	3040	1300	250	70	20 x 4.9	175	162	145	95	105	103	8.6	16	M8 x 8	13.2

Notes :

- 1) Function : Overrunning, Backstopping, Indexing
- 2) Tmax = 2 x Tn.
- 3) Oil / Grease filled, ready to fit.
- 4) Shaft dia. is to be controlled within h7.

- 5) Keyway as per DIN 6885 - 1.
- 6) Other sizes on request.
- 7) All dimensions are in mm.
- 8) We manufacturing in inch series also.

Ordering Example :

- When ordering please specify bore dia.
- NZ 15 - 15