

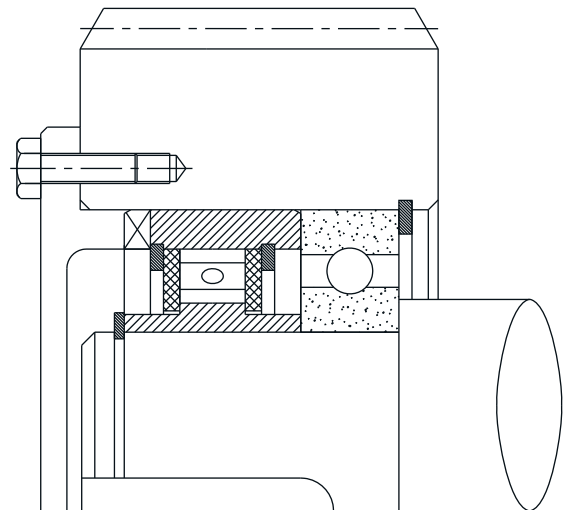


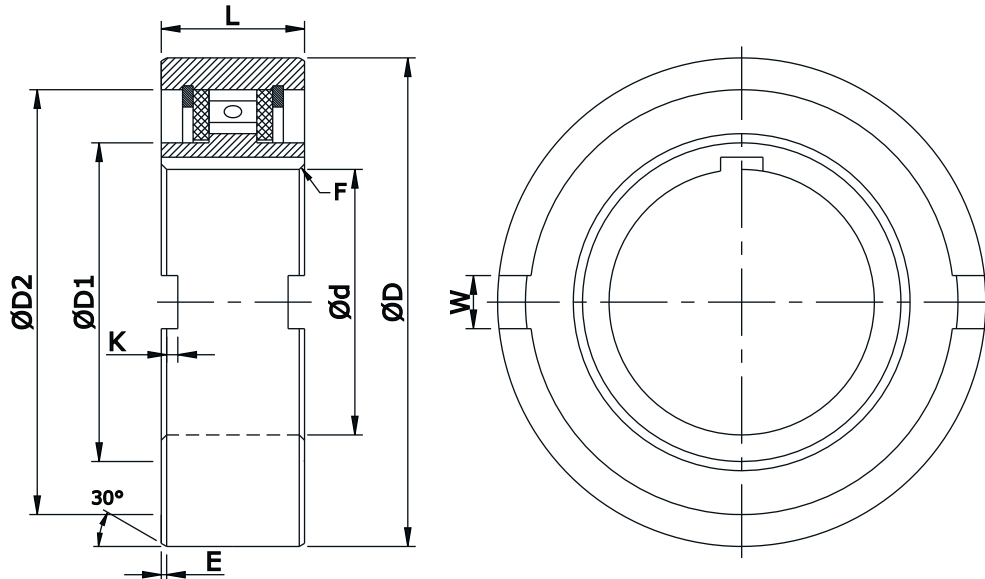
NTFS

❖ Features:

- This type of Clutch is designed for Press fit Installation into the Housing through Outer race.
- Internal diameter of Housing should be H7.
- Mount (Install) Clutch with type 63 bearing to avoid Radial force, because this Clutch does not have any Bearing support.
- Keyways should be made in end faces of Clutch for proper Installation, If the Tolerance of Internal diameter of Housing is K6, Keyways are not required on the end faces of Clutch.
- Make sure that Housing has enough Strength to withstand pressure required for the fitting Installation of Clutch.
- Requires Oil Lubrication.
- Bore range: up to 80 mm.
- Transmitting torque: 3924 Nm.

◆ Mounting Example:





Model	Bore		Transmitting Torque (Tn) Nm	Max. Overrunning		L	D	D2	D1	F	W	K	E	Weight Kg (Approx.)
	dH7 mm	Keyway mm		Inner Race RPM	Outer Race RPM									
NTFS 12	12	4 x 1.8	18	4500	2300	13	35	30	18	0.3	4	1.4	0.6	0.068
NTFS 15	15	5 x 1.2	28	3500	1800	18	42	36	22	0.3	5	1.8	0.8	0.120
NTFS 17	17	5 x 1.2	50	3200	1600	19	47	38	22	0.8	5	2.3	1.2	0.150
NTFS 20	20	6 x 1.6	84	2500	1300	21	52	45	27	0.8	6	2.3	1.2	0.220
NTFS 25	25	8 x 2.0	128	2000	1000	24	62	52	35	0.8	8	2.8	1.2	0.360
NTFS 30	30	8 x 2.0	200	1600	800	27	72	62	40	1.0	10	2.5	1.8	0.530
NTFS 35	35	10 x 2.4	475	1400	700	31	80	70	48	1.0	12	3.5	1.8	0.790
NTFS 40	40	12 x 2.2	607	1300	650	33	90	78	54.5	1.0	12	4.1	1.8	1.050
NTFS 45	45	14 x 2.1	756	1100	550	36	100	85.3	59	1.0	14	4.6	1.8	1.370
NTFS 50	50	14 x 2.1	1124	1000	500	40	110	92	65	1.0	14	5.6	1.8	1.900
NTFS 60	60	18 x 2.3	1975	840	420	46	130	110	84	1.5	18	5.5	2.6	3.110
NTFS 70	70	20 x 2.7	2514	750	380	51	150	125	91	1.5	20	6.9	2.6	4.390
NTFS 80	80	22 x 3.1	3924	670	340	58	170	140	100	1.5	20	7.5	2.6	6.440

Notes :

- 1) Function : Backstopping & Overrunning.
- 2) Tmax = 2 x Tn.
- 3) Oil / Grease filled, ready to fit.
- 4) Shaft dia. is to be controlled within h7.

- 5) Keyway as per DIN 6885 - 1 (for NTFS-12) & as per DIN 6885 - 3 (for NTFS-15 to 80)
- 6) Other sizes on request.
- 7) All dimensions are in mm.
- 8) We manufacturing in inch series also.

Ordering Example :

- When ordering please specify bore dia.
- NTFS 30 - 30

DISTRIBUTED BY