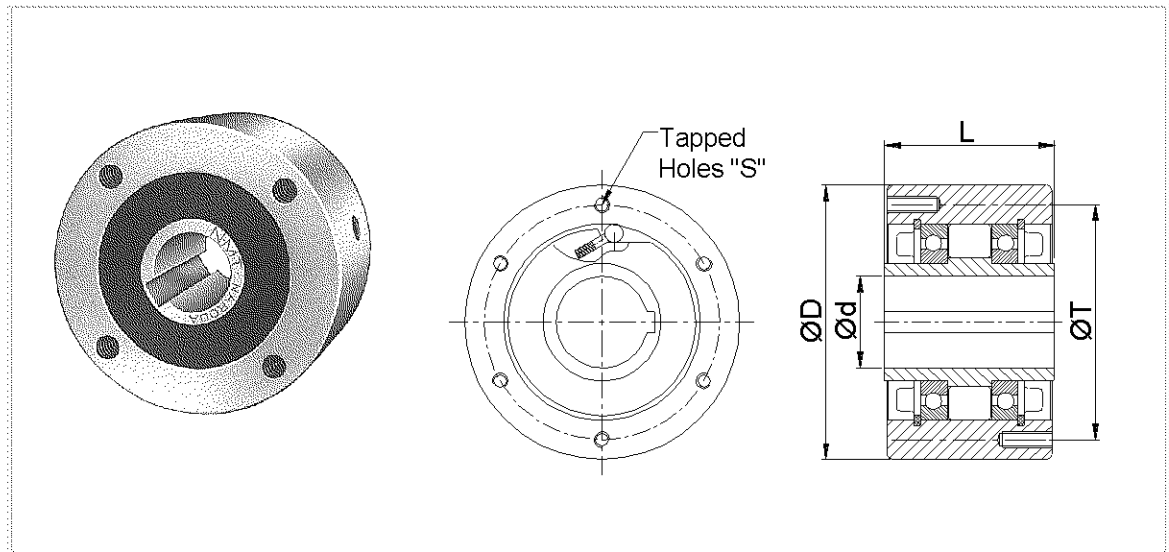


FREEWHEEL - ONEWAY - CLUTCH

Roller Type



- Oil / Grease filled, ready to fit.
- Transmit torque (power) in one direction, opposite free.
- Contains individually spring loaded rollers, ball bearing support.

Functions:

- Feeding.
- Back stopping.
- Overrunning.

CODE NO	DH7 OVER UPTO		D	L	W	D1	CAP SCREW QTY S		TORQUE NM
NRT 01 20 085	14	20	85	55	53	70	4	M6	110
NRT 01 25 095	20	25	95	60	58	80	4	M6	185
NRT 01 30 105	25	30	105	65	63	90	6	M6	320
NRT 01 35 120	30	35	120	65	63	102	6	M8	415
NRT 01 42 125	35	42	125	75	73	108	6	M8	610
NRT 01 45 135	40	45	135	75	73	115	6	M10	695
NRT 01 50 145	45	50	145	80	78	125	6	M10	1210
NRT 01 55 160	50	55	160	86	83	138	6	M10	1490
NRT 01 60 170	55	60	170	86	83	145	8	M10	1850
NRT 01 65 185	65	70	185	100	97	165	8	M10	2350
NRT 01 75 200	65	75	200	120	117	180	8	M12	3200

All Dimensions are in m.m.
 Other sizes on request.
 Dimensions/Design subject to modifications.
 Can be supplied with mounting flange

Shaft dia is to be controlled within h6/j6.

DISTRIBUTED BY

CHAIN & DRIVES®

chainanddrives.com.au
 support@chainanddrives.com.au