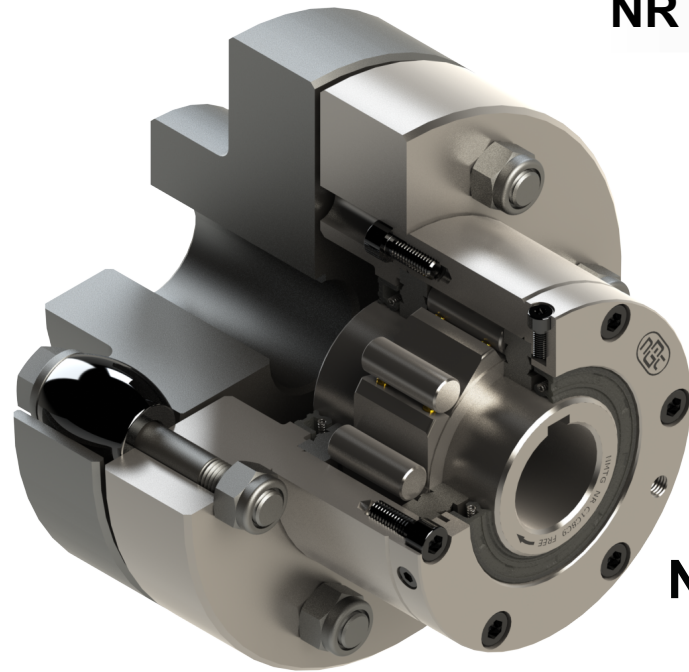


**Freewheel One way clutch / Overrunning Clutch
NR C1C8C9 / NFRC**

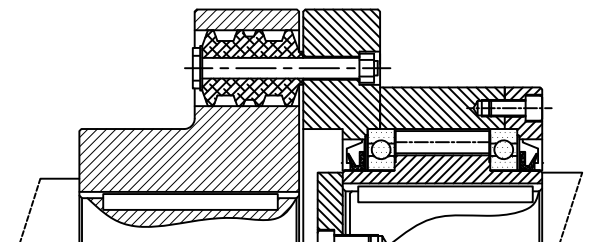


NR C1C8C9

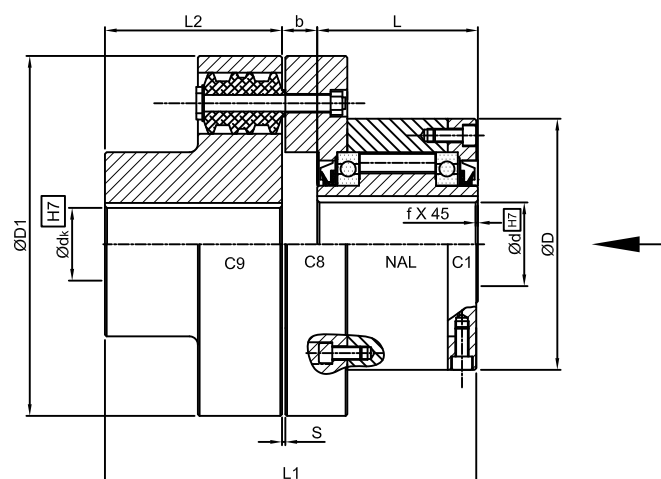
◆ **Features :**

- Trapped rollers Freewheels NR C1C8C9 is Self centered by means of V-Sealing & pairs of ball bearing supported So, unit is Self sealed designed.
- Requires Oil lubrication.
- Component mounted onto the outside diameter of Outer race should be bored to H7 tolerance & Shaft tolerance must be h6/j6.
- C1 cover is used to close the unit.
- This type of Combination is used as Overrunning. In this design, freewheel is connected to flexible Coupling(C9) for inline mounting. This type of Coupling is a high performance coupling used to damp torsional vibration & to accept misalignment without access bearing load.
- Bore range : up to 250 mm
- Transmitting torque : 250000 Nm

◆ **Mounting Example:**



Dimensions/Design subject to modifications without any prior intimation.



NR C1C8C9

d (H7)	Max. Torque	Max. Overrunning Inner Outer RPM	d _k (H7)	D	D1	L	L2	L1	b	s	f	Weight
mm	Nm		mm	mm	mm	mm	mm	mm	mm	mm	mm	kg
12	55	2500 6000	12 - 25	62	97	42	35	90	13	3	0.5	3
15	122	1900 6000	16 - 30	68	112	52	40	110	18	3	0.8	4.4
20	122	1600 5600	16 - 30	75	112	57	40	114.5	17.5	3	0.8	4.6
25	288	1400 4500	20 - 40	90	130	60	50	127.5	17.5	3	1	6.4
30	500	1300 4100	20 - 50	100	160	68	60	148	20	2	1	11
35	725	1100 3800	25 - 65	110	190	74	75	168	19	2	1	17
40	1025	950 3400	25 - 65	125	190	86	75	178	17	2	1.5	19
45	1050	900 3200	25 - 65	130	190	86	75	178	17	2	1.5	19
50	1750	850 2800	30 - 75	150	225	92	90	207	25	2.5	1.5	31
55	2625	720 2650	35 - 90	160	270	104	100	233.5	29.5	3	2	47
60	2750	680 2450	35 - 90	170	270	114	100	244	30	3	2	49
70	5750	580 2150	45 - 110	190	340	134	140	312.5	38.5	3	2.5	90
80	8500	480 1900	55 - 125	210	380	144	160	340	36	3	2.5	107
90	13750	380 1700	65 - 140	230	440	158	180	388	50	3.5	3	170
100	20000	350 1450	75 - 160	270	500	182	200	422.5	40.5	3.5	3	230
120	30000	250 1250	85 - 180	310	560	202	220	471	49	4	3	330
150	43750	180 980	95 - 200	400	640	246	250	543	47	4	4	500
200	97500	120 750	125 - 250	520	880	326	320	700.5	54.5	4.5	5	965
250	250000	100 620	160 - 320	610	1160	396	400	868	72	5	5	1725

Notes :

- 1) Function : Overrunning, Backstopping, Indexing
- 2) T_{max} = 2 x T_n.
- 3) The maximum Overrunning speeds are for Oil lubrication only.
- 4) Shaft dia. is to be controlled within h6/j6.
- 5) Keyway as per DIN 6885 - 1.
- 6) Other sizes on request.
- 7) All dimensions are in m.m.
- 8) We manufacturing in inch series also.

Ordering Example :

- When ordering please specify bore dia. with direction of Rotation of inner race freewheeling seen from Arrow, CW for Clockwise & CCW for Anti-clockwise.
- **NR C1C8C9 50 - 50 CW**

Dimensions/Design subject to modifications without any prior intimation.

DISTRIBUTED BY



chainanddrives.com.au
support@chainanddrives.com.au