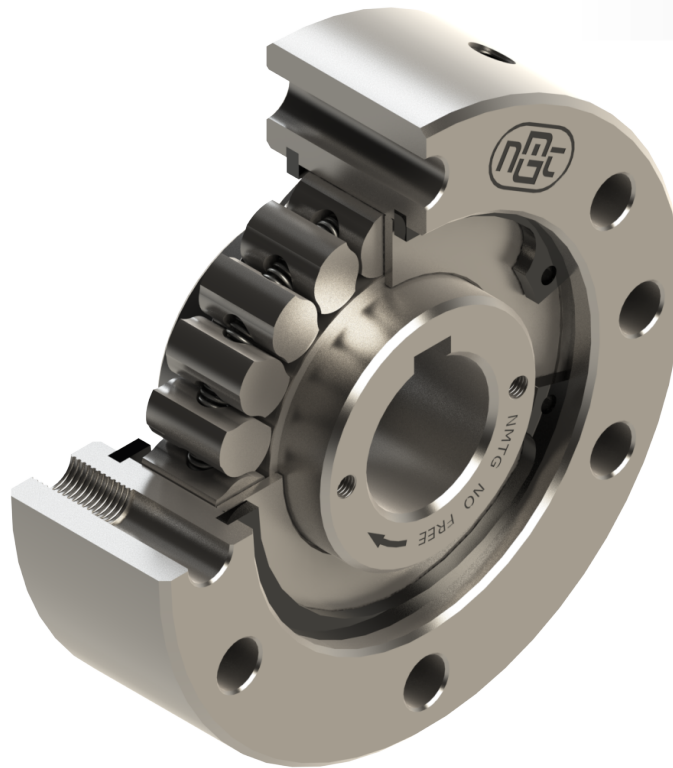


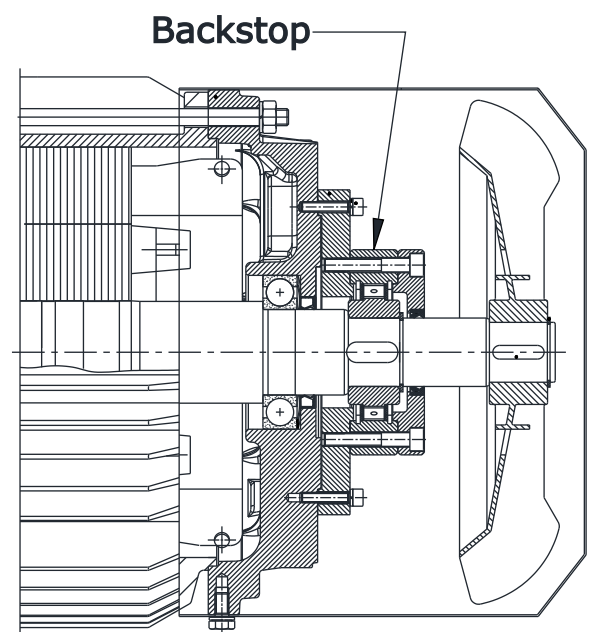
**Holdback / Backstop Clutch
NO Model**

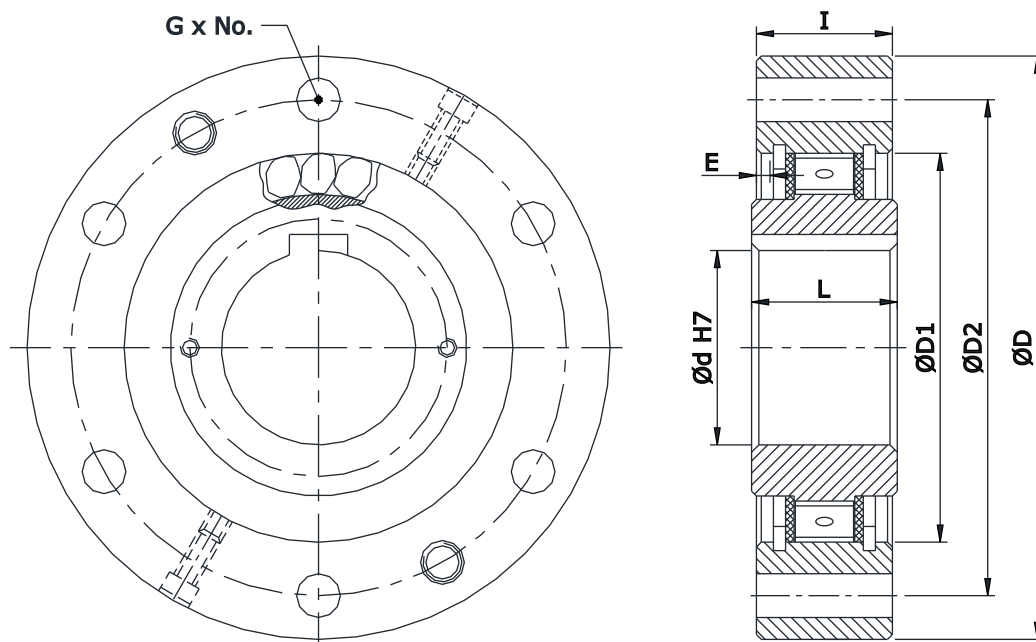


❖ **Features :**

- This type of Freewheels are does not have their own bearing Support.
- Bearing are required to support axial and radial loads. Lubrication and sealing must also be provided by the installation.
- The fit for centering of the outer race must be to H7 tolerance.
- Outer race end faces have Tapped Holes for attachment of items such as Spigot Cover, Coupling, Sprocket, Pulley, etc. with Outside diameter of outer race provided location to ensure Concentricity.
- Grease lubrication is available where high inner race overrunning speeds are required or maintenance is difficult.
- Bore range: up to 70 mm.
- Transmitting torque: Nm.

◆ **Mounting Example:**





Model	Bore d		Nominal Torque (Tn) Nm	D mm	D1 mm	D2 mm	L mm	I mm	E mm	G x No.	Weight Kg
	Standard mm	Max. mm									
NO 20	15	20	120	68	47	56	28	26	2.5	5.5 x 4	0.5
NO 25	20	25	220	85	55	70	28	26	2.5	6.8 x 6	0.7
NO 30	25	30	310	95	62	80	28	26	2.5	6.8 x 8	0.9
NO 35	30	35	540	100	68	85	28	26	2.5	6.8 x 8	1.0
NO 40	35	40	630	110	75	90	30	28	3.0	9.0 x 6	1.4
NO 45	40	45	870	120	80	102	30	28	3.0	9.0 x 6	1.4
NO 50	45	50	1050	125	90	108	32	30	3.0	9.0 x 6	1.7
NO 55	50	55	1230	135	95	115	32	30	3.0	11 x 6	2.0
NO 65	55	60	1670	140	100	120	35	33	3.5	11 x 6	2.3
NO 75	60	70	2070	150	110	132	35	33	3.5	11 x 6	2.4

Notes :

- 1) Function : Overrunning, Backstopping.
- 2) Tmax = 2 x Tn.
- 3) Oil / Grease filled, ready to fit.
- 4) Shaft dia. is to be controlled within h6.

- 5) Other sizes on request.
- 6) All dimensions are in mm.

DISTRIBUTED BY

