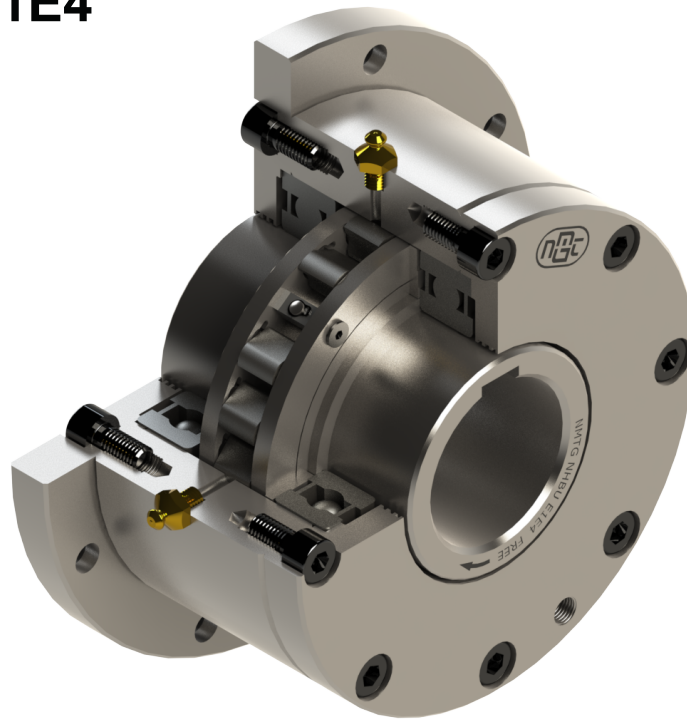


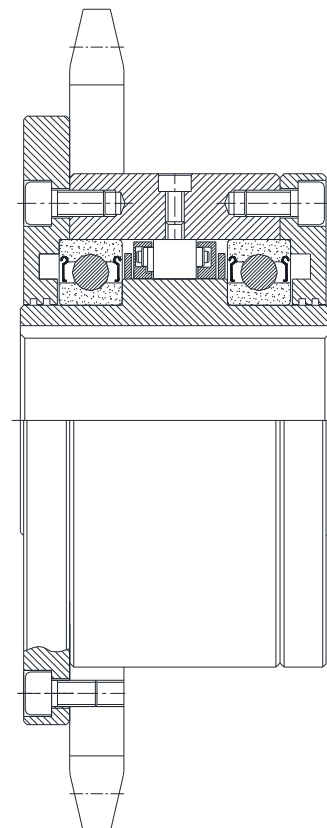
NHBU E1E4



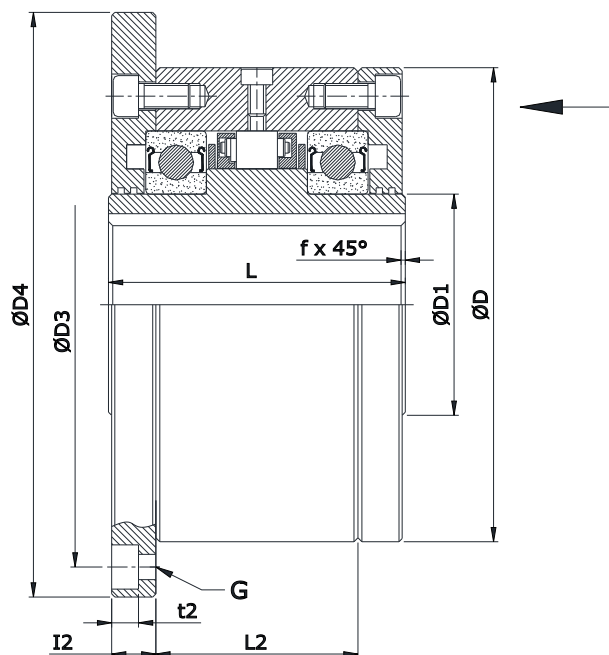
❖ Features:

- This type of Freewheel Clutch is designed with ball bearings to be assembled with customer connecting parts
- Requires grease Lubrication
- Component mounted onto the Outside diameter of Outer race should be bored to H7 Tolerance.
- This type of Combination is used as Overrunning & Backstopping in which E4 cover as a flange cover & E1 cover as a simple End cover.
- Bore range : up to 150 mm
- Transmitting torque : 33908 Nm

◆ Mounting Example:



NHBU E1E4



Model	Bore (d) max. mm	Inner race Overrunning		Nominal torque Nm	D (h7) mm	D4 mm	D3 mm	D1 mm	L mm	L2 mm	I2 mm	t2 mm	No. x G	f mm	Weight Kg
		Min. RPM	Max. RPM												
NHBU 30 E1E4	30	750	5000	607	100	128	114	45	81	56	11.5	6.8	6 x 6.6	1.0	4.1
NHBU 35 E1E4	35	730	5000	686	110	140	124	50	81	56	11.5	6.8	6 x 6.6	1.0	5.2
NHBU 40 E1E4	40	720	5000	980	125	160	142	55	93	60	15.5	9	6 x 9	1.3	7.5
NHBU 45 E1E4	45	700	5000	1078	130	165	146	60	93	60	15.5	9	8 x 9	1.3	7.9
NHBU 50 E1E4	50	630	5000	1715	150	185	166	70	95	62	15.5	9	8 x 9	1.3	11.1
NHBU 55 E1E4	55	630	5000	1960	160	204	182	75	104	66	18	11	8 x 11	1.5	14.7
NHBU 60 E1E4	60	430	6000	3479	170	214	192	80	120	84	17	11	10 x 11	1.5	17.9
NHBU 70 E1E4	70	400	4500	4735	190	234	212	90	134	95	18	11	10 x 11	1.8	24.5
NHBU 80 E1E4	80	320	4000	6517	210	254	232	105	144	100	20	11	10 x 11	1.8	32.5
NHBU 90 E1E4	90	320	3500	8526	230	278	254	120	158	115	20	13	10 x 14	2.0	40.5
NHBU 100 E1E4	100	250	2700	14210	270	335	305	140	186	124	28	17.5	10 x 18	2.0	68
NHBU 130 E1E4	130	240	2100	20384	310	380	345	160	212	152	28	17.5	12 x 18	2.5	95
NHBU 150 E1E4	150	220	3000	33908	400	485	445	200	246	180	30	21.5	12 x 22	2.5	197

Notes :

- 1) Function : Overrunning, Backstopping
- 2) $T_{max} = 2 \times T_n$.
- 3) Grease filled, ready to fit.
- 4) Shaft dia. is to be controlled within h7
- 5) Keyway as per DIN 6885 - 1.
- 6) Other sizes on request.
- 7) All dimensions are in mm.
- 8) We manufacturing in inch series also.
- 9) Dimensions/Design subject to modifications.

Ordering Example :

- When ordering please specify bore dia. with direction of Rotation of Inner race freewheeling seen from Arrow, CW for Clockwise & CCW for Anti-clockwise.
- **NHBU 35 E1E4 - 20**

DISTRIBUTED BY



chainanddrives.com.au
support@chainanddrives.com.au