

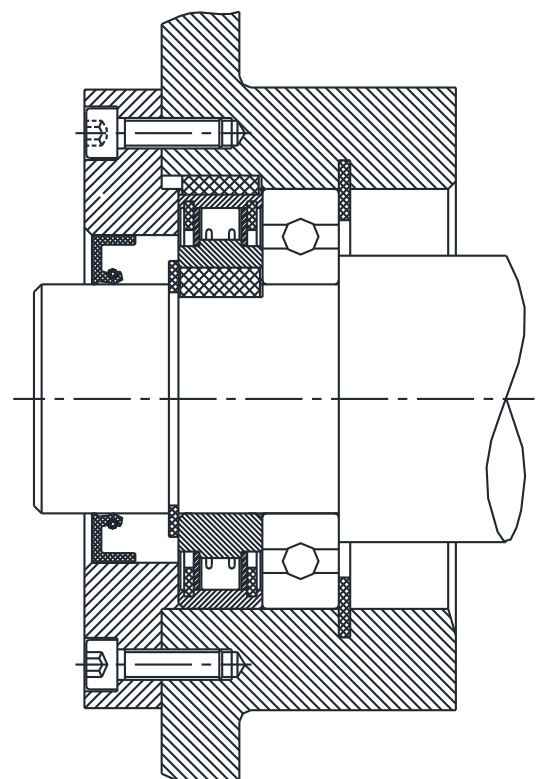
Freewheel One way clutch / Backstop Clutch Ncs Model

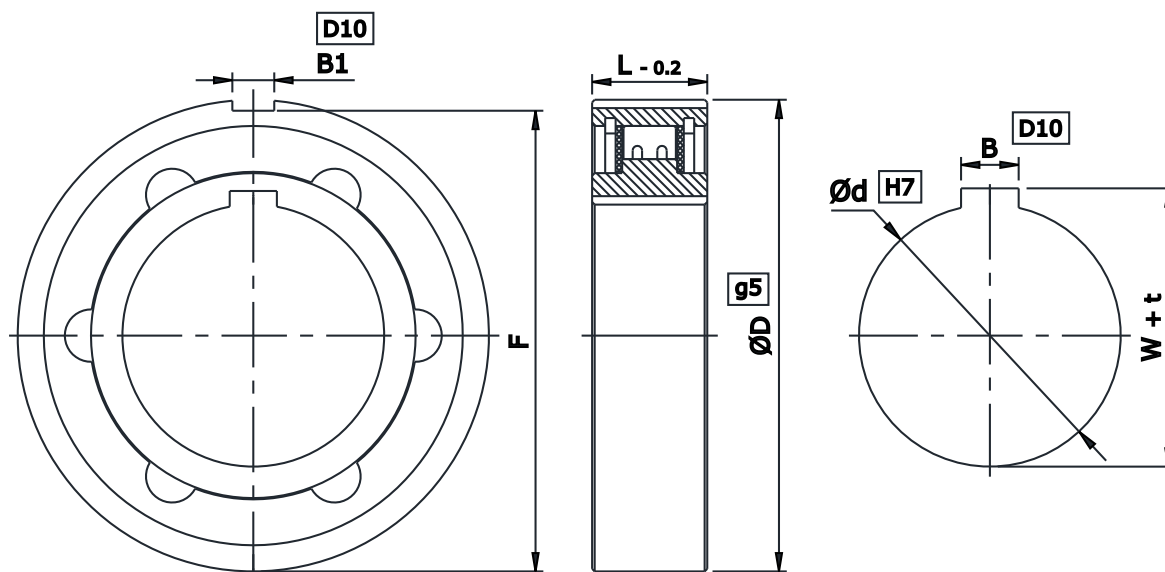


◆ Mounting Example:

❖ Features:

- This type of Clutch is designed for Press fit Installation into the Housing through Outer race.
- Internal diameter of Housing should be H7.
- Mount (Install) Clutch with bearing to avoid Radial force, because this Clutch does not have any Bearing support.
- Keyways should be made in outer surface of Clutch for proper Installation.
- Make sure that Housing has enough Strength to withstand pressure required for the fitting Installation of Clutch.
- The Freewheel One-way Clutch Requires Oil Lubrication in Housing arrangement. Lubrication & Sealing must be provide in Installation.
- Bore range: up to 80 mm.
- Transmitting torque: 1400 Nm.





d (H7) mm	Nom. Torque Nm	D mm	L mm	Keyway Dimension of Outer Race		Keyway Dimension of Inner Race		
				B1 mm	F mm	B mm	W mm	t mm
25	82	62	17	5	60.1 -0.2	5	27.3	0.2
30	75	72	18	6	68.5 -0.2	6	32.8	0.2
30	80	90	18	8	88 -0.2	8	33.3	0.2
35	270	100	22	10	96 -0.2	10	38.3	0.2
40	50	68	16	5	66.1 -0.2	5	41.2	0.3
40	228	90	21	8	86.9 -0.2	8	42	0.2
40	228	90	23	6	86.4 -0.2	6	42.8	0.2
40	228	90	24	8	88 -0.2	12	43.3	0.2
40	348	110	28	12	106.5 -0.2	12	43.3	0.2
40	348	110	32	8	106.9 -0.1	12	43.3	0.2
45	150	75	17	5	73.1 -0.2	5	46.2	0.2
45	700	130	29	8	126 -0.2	8	48.3	0.2
50	270	110	28	12	106.5 -0.2	12	53.3	0.2
50	700	130	30	10	125 -0.2	14	53.8	0.2
55	100	90	18	5	88.1 -0.2	5	56.2	0.3
55	700	120	33	16	114 -0.1	16	59.3	0.2
55	1000	140	37	10	136 -0.2	16	59.3	0.2
60	270	110	22	8	106.9 -0.2	8	62	0.2
65	270	100	25	8	96.9 -0.1	8	67	0.3
65	270	100	30	8	96.9 -0.1	8	67	0.3
65	270	110	22	8	106.9 -0.2	8	67	0.2
65	300	120	25	8	102.24 -0.1	8	67	0.3
65	800	140	33	18	133 -0.2	18	69.4	0.2
65	1400	160	33	10	156 -0.2	10	67.4	0.2
70	1200	150	34	20	142.5 -0.2	20	74.9	0.2
80	840	140	30	22	136.9 -0.1	22	83.1	0.2

Notes :

- 1) Function : Overrunning, Backstopping.
- 2) $T_{max} = 2 \times T_n$.
- 3) Oil / Grease filled, ready to fit.
- 4) Shaft dia. is to be controlled within h6/j6

Ordering Example :

- When ordering please specify bore dia.
- NCs - 50 x 110 x 28

DISTRIBUTED BY

CHAIN & DRIVES

chainanddrives.com.au
support@chainanddrives.com.au

Dimensions/Design subject to modifications without any prior intimation.