

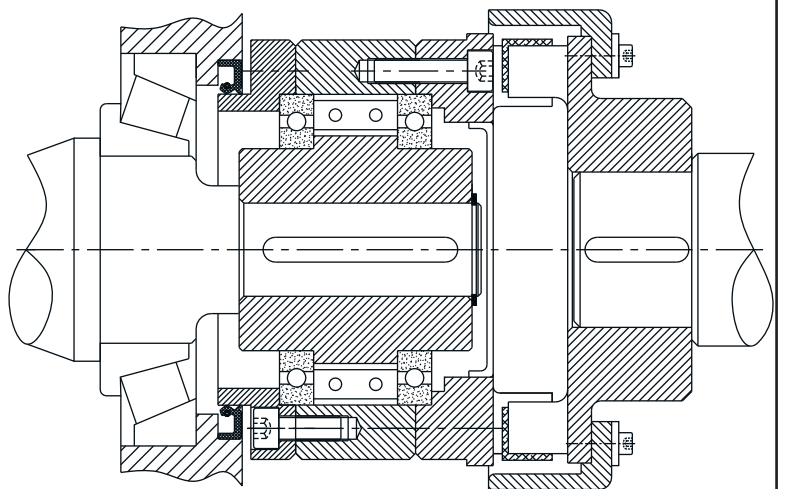
NBO



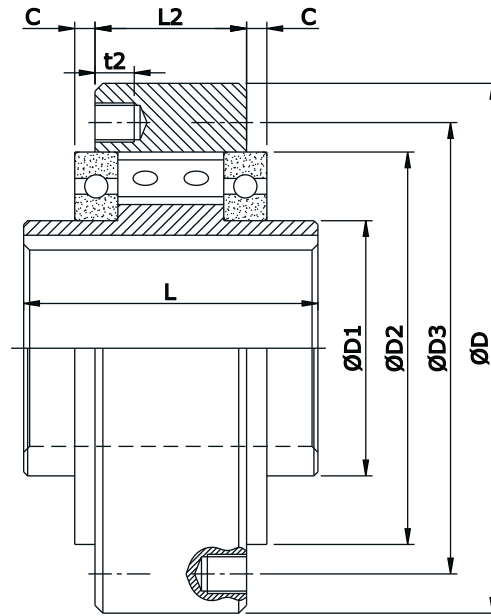
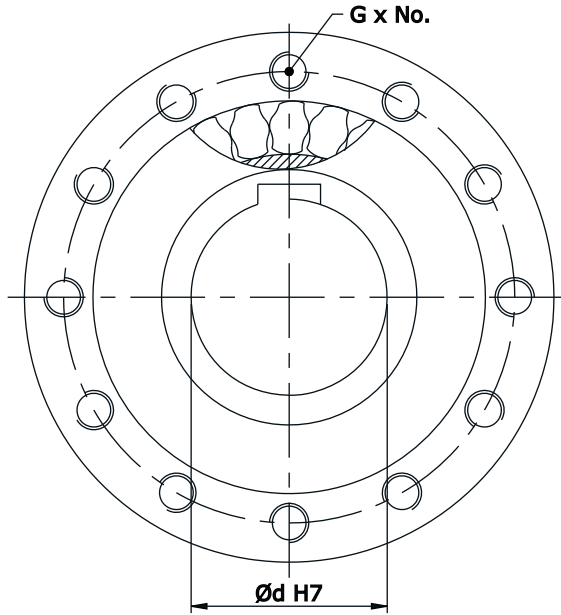
❖ Features:

- This type of Freewheel Clutch is designed with ball bearings to be assembled with customer connecting parts.
- Clutch is installed in Housing with providing Seals.
- Requires Oil / Grease Lubrication.
- Tolerance of Pilot diameter D2 of Connecting part must be H7.
- Bore range: up to 300 mm.
- Transmitting torque: 160000 Nm.

◆ Mounting Example:



NBO



Model	Bore d		Max. Overrunning		Nominal Torque (Tn) Nm	D mm	D1 mm	D2 mm	D3 mm	L2 mm	C mm	L mm	t2 mm	G x No.	Weight Kg
	Standard mm	Max.	Inner RPM	Outer RPM											
NBO 37	20	22*	2500	2600	200	85	30	55	70	25	3.7	48	10	M6 x 4	0.9
NBO 44	25*	25*	1900	2200	320	95	35	62	80	25	3.7	50	10	M6 x 6	1.3
NBO 57	30	32*	1400	1750	630	112	45	75	95	30	4.2	65	12	M6 x 6	1.9
NBO 72	40	42*	1120	1600	1250	132	55	90	115	38	3.7	74	14	M8 x 8	3.5
NBO 82	50*	50*	1025	1450	1800	145	65	100	125	40	6.6	75	14	M8 x 8	4
NBO 107	60	65*	880	1250	2500	170	80	125	150	45	8.1	90	16	M10 x 10	7.7
NBO 127	70	75*	800	1150	5000	204	95	145	180	68	6.9	112	16	M10 x 10	13.3
NBO 140	90	95*	750	1100	10000	254	120	180	225	68	19.1	150	24	M16 x 10	31.5
NBO 200	120	120	630	900	20000	320	160	240	288	85	14.1	160	24	M16 x 12	46.5
NBO 270	140	150	510	750	40000	420	200	310	370	100	22.5	212	32	M20 x 12	105
NBO 340	180	240	460	630	80000	497	300	380	450	125	25.6	265	32	M20 x 18	190
NBO 440	220	300	400	550	160000	627	380	480	560	150	34.1	315	40	M24 x 18	360

Notes :

- 1) Function : Overrunning, Backstopping, Indexing
- 2) Tmax = 2 x Tn.
- 3) Oil / Grease filled, ready to fit.
- 4) Shaft dia. is to be controlled within h6/j

- 5) *Sizes are with Keyway to DIN 6885 - P3.
- 6) Other sizes on request.
- 7) All dimensions are in mm.
- 8) We manufacturing in inch series also.

DISTRIBUTED BY



chainanddrives.com.au
support@chainanddrives.com.au