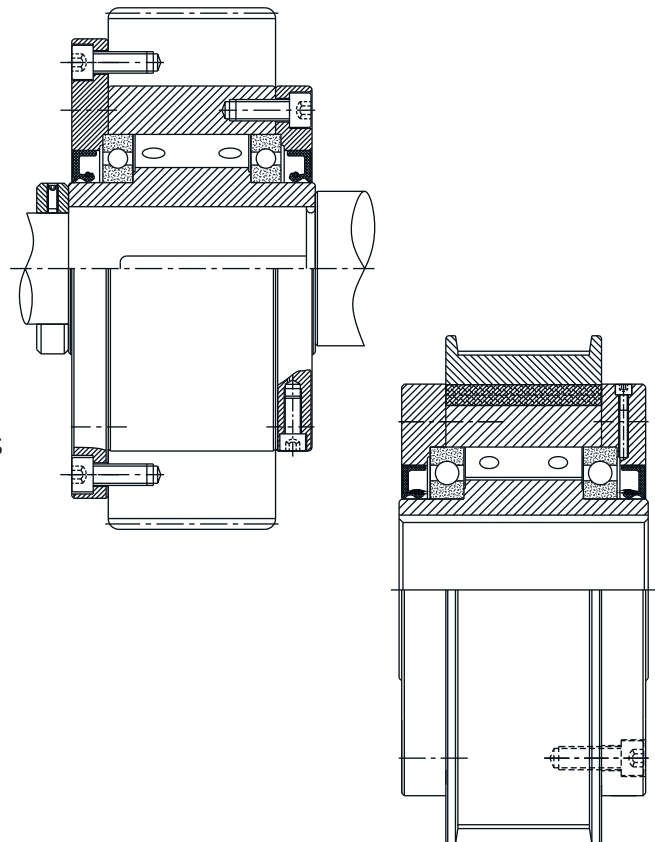
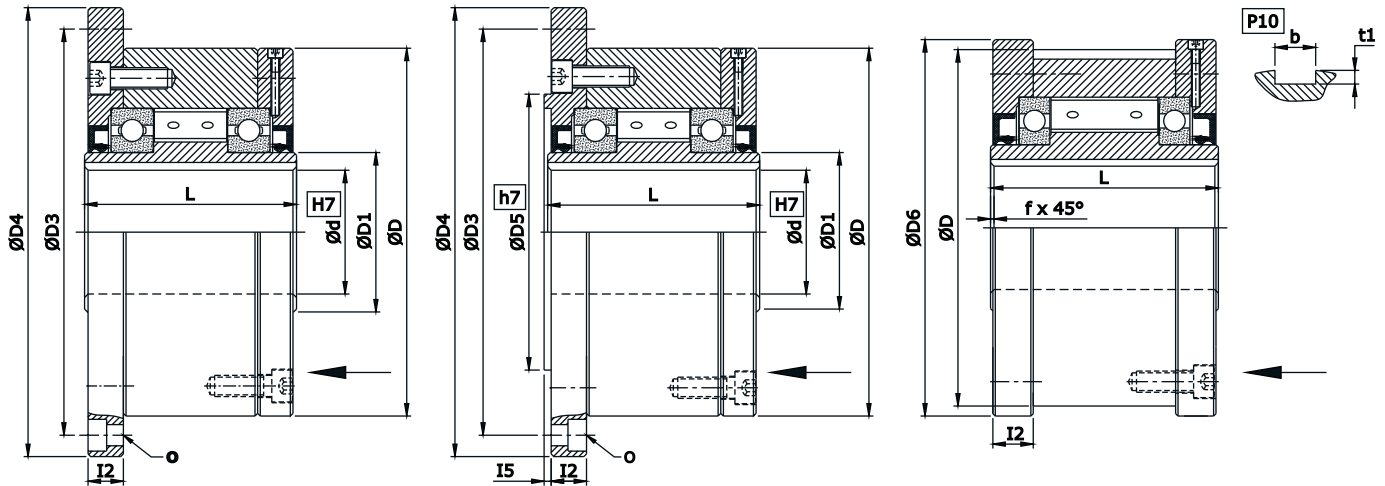


❖ Features:

- This type of Freewheel Clutch is designed with ball bearings to be assembled with customer connecting parts.
- Component mounted onto the Outside diameter of Outer race should be bored to H7 Tolerance.
- This type of Combinations are used as Backstops, in which H1 Cover act as End Cover & H4 as a Flange type Cover & H5 as a Spigot type flange Cover.
- Requires Oil Lubrication.
- Bore range: up to 300 mm.
- Transmitting torque: 160000 Nm.

◆ Mounting Example:





NBO H1H4

NBO H1H5

NBO H6H7

Model	Bore d		Max. Overrunning		Nominal Torque (Tn) Nm	D	D1	L	D4	D3	D6	I2	D5	I5	t1	b ^{P10}	O	f	Weight (approx.)		
	Std. mm	Max. mm	Inner RPM	Outer RPM		mm	mm	mm	mm	mm	mm	mm	mm	mm	mm	mm	mm	mm	H1H4 kg	H1H5 kg	H6H7 kg
NBO 37	20	22*	2500	2600	200	85	30	48	118	104	99	11.5	68	3	4	8	6.6 x 4	1	2.1	2.3	2
NBO 44	25*	25*	1900	2200	320	95	35	50	128	114	109	11.5	75	3	4	8	6.6 x 6	1	2.8	3.1	2.7
NBO 57	30	32*	1400	1750	630	112	45	65	140	124	119	13.5	80	3.5	5	10	6.6 x 6	1	4.1	4.5	3.7
NBO 72	40	42*	1120	1600	1250	132	55	74	165	146	140	15.5	95	3.5	5.5	14	9 x 8	1.5	6.7	7.2	6.1
NBO 82	50*	50*	1025	1450	1800	145	65	75	185	166	160	14	110	4	5.5	14	9 x 8	1.5	7.9	8.6	7.3
NBO 107	60	65*	880	1250	2500	170	80	90	214	192	182	17	125	4	7	18	11 x 10	2	14.1	15	12.5
NBO 127	70	75*	800	1150	5000	204	95	112	254	232	222	21	160	4	9	22	11 x 10	2.5	23.6	24.9	22.6
NBO 140	90	95*	750	1100	10000	254	120	150	335	305	282	30	210	5	10	28	18 x 10	3	58.2	61	52.6
NBO 200	120	120	630	900	20000	320	160	160	380	345	322	29	240	5	11	32	18 x 12	3	80	83	70.7
NBO 270	140	150	510	750	40000	420	200	212	500	460	450	53	310	6	12	36	22 x 12	4	209	217	202
NBO 340	180	240	460	630	80000	497	300	265	600	540	530	66	400	6	20	63	22 x 12	4	340	349	322
NBO 440	220	300	400	550	160000	627	380	315	725	675	650	78	510	7	22	70	26 x 12	5	615	629	580

Notes :

- 1) Function : Overrunning, Backstopping, Indexing
- 2) Tmax = 2 x Tn.
- 3) Oil / Grease filled, ready to fit.
- 4) Shaft dia. is to be controlled within h6/j6
- 5) *Sizes are with Keyway to DIN 6885 - P3.
- 6) Other sizes on request.
- 7) All dimensions are in mm.
- 8) We manufacturing in inch series also.

DISTRIBUTED BY



chainanddrives.com.au
support@chainanddrives.com.au