

NAL

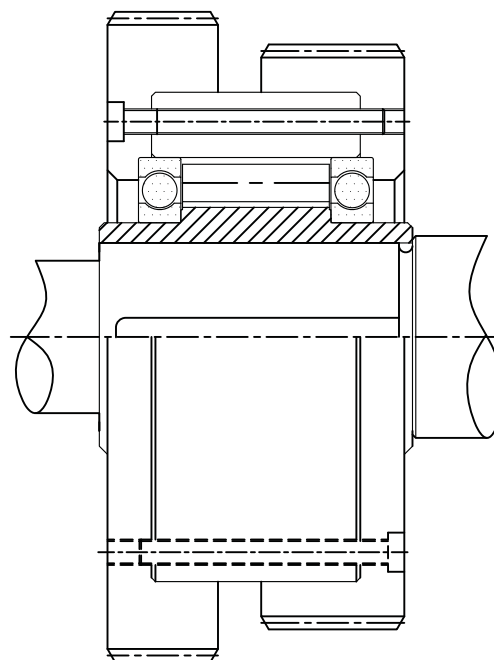


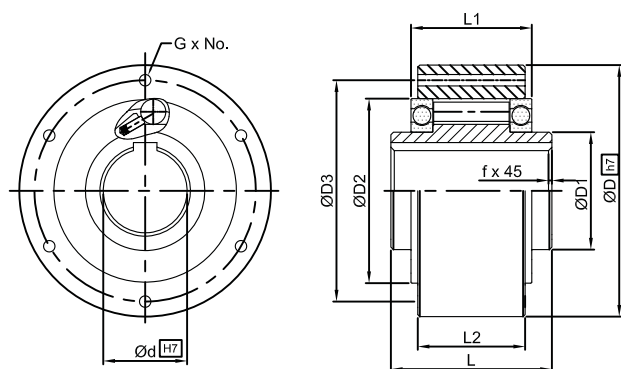
NALK

◆ **Features :**

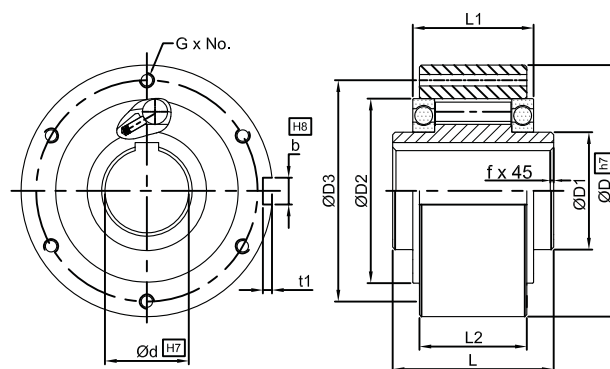
- Trapped rollers Freewheels NAL, NALK model are Self-centering by means of pairs of ball bearing supported.
- Requires Oil lubrication.
- This models are open design so sealing must be provided for the installation.
- Component mounted onto the outside diameter of Outer race should be bored to H7 tolerance & Shaft tolerance must be h6.
- NALK model has keyway on the outer side diameter to transmit torque.
- This models are also supplied with F series covers that are designed to transmit torque, provide oil lubrication & sealing. Generally these covers are used in pairs according to Combination which is shown in the following pages.
- Bore range : up to 250 mm
- Transmitting torque : 287500 Nm

◆ **Mounting Example:**





NAL



NALK

d (H7)	Max. Torque Nm	Max. Overrunning Inner Outer RPM	D (h7)	D3	D2	D1	L	L2	L1	t1	b ^{H8}	G x No.	f	Weight kg
12	55	4000 7200	62	51	42	20	42	20.3	27	2.4	4	5.5 x 3	0.5	0.5
15	125	3600 6500	68	56	47	25	52	30.3	34.1	2.9	5	5.5 x 3	0.8	0.8
20	181	2700 5600	75	64	55	30	57	34.3	39.1	3.5	6	5.5 x 4	0.8	1
25	288	2100 4500	90	78	68	40	60	37.3	42.1	4.1	8	5.5 x 6	1	1.5
30	500	1700 4100	100	87	75	45	68	44.3	49.1	4.1	8	6.6 x 6	1	2.2
35	725	1550 3800	110	96	80	50	74	48.3	54.1	4.7	10	6.6 x 6	1	3
40	1025	1150 3400	125	108	90	55	86	56.3	62.1	4.9	12	9 x 6	1.5	4.6
45	1125	1000 3200	130	112	95	60	86	56.3	62.1	5.5	14	9 x 8	1.5	4.7
50	2125	800 2800	150	132	110	70	92	63.3	69.1	5.5	14	9 x 8	1.5	7.2
55	2625	750 2650	160	138	115	75	104	67	73.1	6.2	16	11 x 8	2	8.6
60	3500	650 2450	170	150	125	80	114	78	84	6.8	18	11 x 10	2	10.5
70	5750	550 2150	190	165	140	90	134	95	103	7.4	20	11 x 10	2.5	13.5
80	8500	500 1900	210	185	160	105	144	100	108	8.5	22	11 x 10	2.5	18.2
90	14500	450 1700	230	206	180	120	158	115	125	8.7	25	14 x 10	3	28.5
100	20000	350 1450	270	240	210	140	182	120	131	9.9	28	18 x 10	3	42.5
120	31250	250 1250	310	278	240	160	202	140	152	11.1	32	18 x 12	3	65
150	70000	200 980	400	360	310	200	246	180	196	12.3	36	22 x 12	4	138
200	175000	150 750	520	460	400	260	326	240	265	15	45	26 x 18	5	315
250	287500	120 620	610	545	480	320	396	300	330	15	45	33 x 20	5	512

Notes :

- 1) Function : Overrunning, Backstopping, Indexing
- 2) $T_{max} = 2 \times T_n$.
- 3) The maximum Overrunning speeds are for Oil lubrication only.
- 4) Shaft dia. is to be controlled within h6/j6.

- 5) Keyway as per DIN 6885 - 1.
- 6) Other sizes on request.
- 7) All dimensions are in m.m.
- 8) We manufacturing in inch series also.

DISTRIBUTED BY

Ordering Example :

- When ordering please specify bore dia.
- **NAL 50 - 50**



chainanddrives.com.au
support@chainanddrives.com.au