

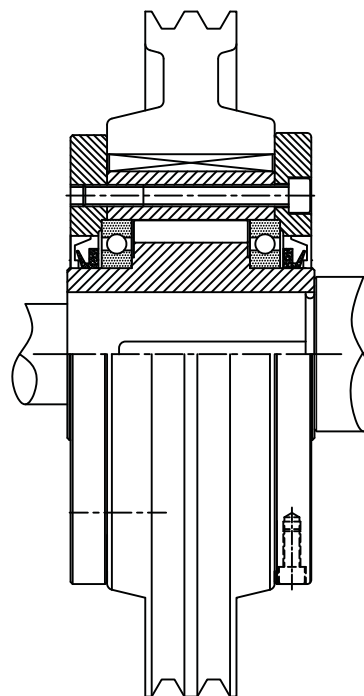


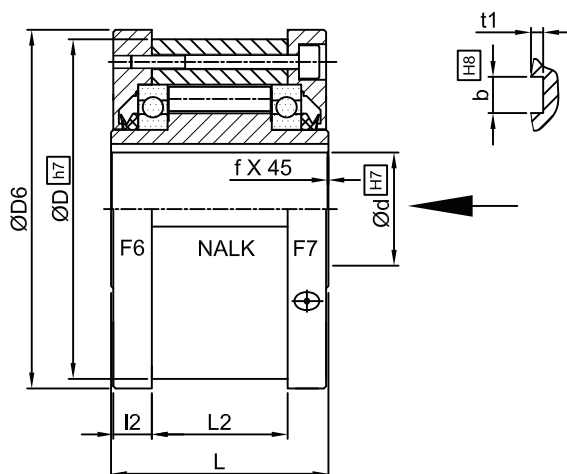
NALK F6F7

◆ Features :

- Trapped rollers Freewheels NALK F6F7 model is Self-centering by means of V-Sealing & pairs of ball bearing supported.
- Requires Oil lubrication.
- Component mounted onto the outside diameter of Outer race should be bored to H7 tolerance & Shaft tolerance must be h6.
- This model has keyway on the outer side diameter to transmit torque.
- This models are also supplied with F6 & F7 flange covers which are act as close units.
- Bore range : up to 250 mm
- Transmitting torque : 287500 Nm

◆ Mounting Example:





NALK F6F7

d (H7)	Max. Torque	Max. Overrunning Inner Outer RPM	D (h7)	D6	L	L2	l2	t1	b ^{H8}	f	Weight
mm	Nm		mm	mm	mm	mm	mm	mm	mm	mm	kg
12	55	2500 7200	62	70	42	20	10.4	2.4	4	0.5	1
15	125	1900 6500	68	76	52	28	11.4	2.9	5	0.8	1.4
20	181	1600 5600	75	84	57	34	10.9	3.5	6	0.8	1.9
25	288	1400 4500	90	99	60	35	11.9	4.1	8	1	2.8
30	500	1300 4100	100	109	68	43	11.9	4.1	8	1	3.7
35	725	1100 3800	110	119	74	45	13.4	4.7	10	1	4.7
40	1025	950 3400	125	135	86	53	15.4	4.9	12	1.5	7.1
45	1125	900 3200	130	140	86	53	15.4	5.5	14	1.5	7.4
50	2125	850 2800	150	160	92	64	12.9	5.5	14	1.5	10.4
55	2625	720 2650	160	170	104	66	17.5	6.2	16	2	13.4
60	3500	680 2450	170	182	114	78	16.5	6.8	18	2	15.9
70	5750	580 2150	190	202	134	95	18	7.4	20	2.5	20.8
80	8500	480 1900	210	222	144	100	20.5	8.5	22	2.5	27.1
90	14500	380 1700	230	242	158	115	20	8.7	25	3	39.4
100	20000	350 1450	270	282	182	120	28.5	9.9	28	3	66.4
120	31250	250 1250	310	322	202	152	22.5	11.1	32	3	91.5
150	70000	180 980	400	415	246	180	31	12.3	36	4	187
200	175000	120 750	520	540	326	240	40	15	45	5	430
250	287500	100 620	610	630	396	300	45	15	45	5	688

Notes :

- 1) Function : Overrunning, Backstopping, Indexing
- 2) $T_{max} = 2 \times T_n$.
- 3) The maximum Overrunning speeds are for Oil lubrication only.
- 4) Shaft dia. is to be controlled within h6/j6.

- 5) Keyway as per DIN 6885 - 1.
- 6) Other sizes on request.
- 7) All dimensions are in m.m.
- 8) We manufacturing in inch series also.

Ordering Example :

- > When ordering please specify bore dia. with direction of Rotation of inner race freewheeling seen from Arrow, CW for Clockwise & CCW for Anti-clockwise.
- > **NAL F6F7 50 - 50 CW**

DISTRIBUTED BY



chainanddrives.com.au

support@chainanddrives.com.au