

NAL F1F4

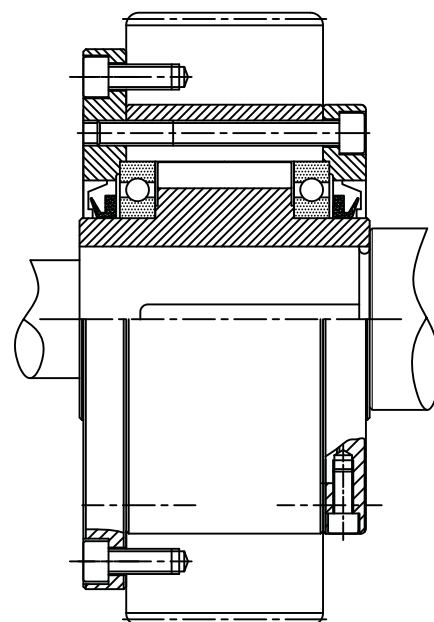


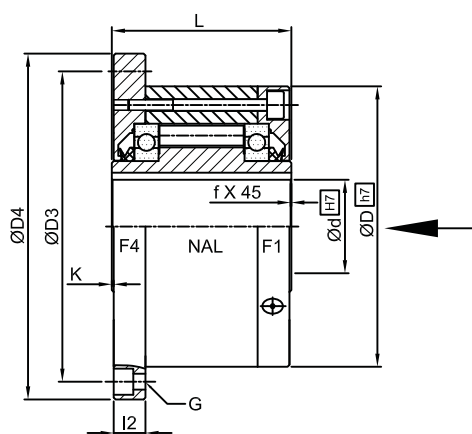
NAL F1F5

◆ Features :

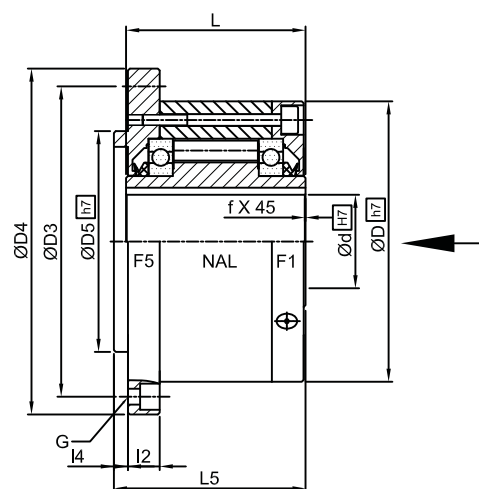
- Trapped rollers Freewheels NAL F1F4 & NAL F1F5 models are Self centered by means of V-Sealing & pairs of ball bearing supported So, unit is Self sealed designed.
- Requires Oil lubrication.
- Component mounted onto the outside diameter of Outer race should be bored to H7 tolerance & Shaft tolerance must be h6/j6.
- This type of Combinations are used as Overrunning & Indexing, in which F1 covers are act as close unit, F4 covers as a flange type cover & F5 as a Spigot type flange cover.
- Bore range : up to 250 mm
- Transmitting torque : 287500 Nm

◆ Mounting Example:





NAL F1F4



NAL F1F5

d (H7) mm	Max. Torque Nm	Max. Overrunning Inner Outer RPM	D (h7) mm	D4 mm	D3 mm	D5 (h7) mm	L mm	L5 mm	I2 mm	I4 mm	k mm	G x No.	f mm	Weight kg
12	55	2500 7200	62	85	72	42	42	44	10.3	3	0.5	5.5 x 3	0.5	0.9
15	125	1900 6500	68	92	78	47	52	54	10.3	3	0.5	5.5 x 3	0.8	1.3
20	181	1600 5600	75	98	85	55	57	59	10.8	3	0.5	5.5 x 4	0.8	1.7
25	288	1400 4500	90	118	104	68	60	62	10.5	3	0.5	6.6 x 4	1	2.6
30	500	1300 4100	100	128	114	75	68	70	11.3	3	0.5	6.6 x 6	1	3.5
35	725	1100 3800	110	138	124	80	74	76	11.8	3.5	1	6.6 x 6	1	4.5
40	1025	950 3400	125	160	142	90	86	88	13.8	3.5	1	9 x 6	1.5	6.9
45	1125	900 3200	130	165	146	95	86	88	13.8	3.5	1	9 x 8	1.5	7.1
50	2125	850 2800	150	185	166	110	92	94	12.8	4	1	9 x 8	1.5	10.1
55	2625	720 2650	160	204	182	115	104	106	16.8	4	1.5	11 x 8	2	13.1
60	3500	680 2450	170	214	192	125	114	116	16.3	4	1.5	11 x 10	2	15.6
70	5750	580 2150	190	234	212	140	134	136	17.8	4	1.5	11 x 10	2.5	20.4
80	8500	480 1900	210	254	232	160	144	146.3	20.3	4	1.5	11 x 10	2.5	26.7
90	14500	380 1700	230	278	254	180	158	161	20	4.5	1.5	14 x 10	3	39
100	20000	350 1450	270	335	305	210	182	184	28	5	2.5	18 x 10	3	66
120	31250	250 1250	310	375	345	240	202	204	28.5	5	2.5	18 x 12	3	91
150	70000	180 980	400	485	445	310	246	249	31	5	2.5	22 x 12	4	186
200	175000	120 750	520	625	565	400	326	328	40	5	3	26 x 18	5	425
250	287500	100 620	610	740	680	480	396	398	45	5	3	30 x 22	5	680

Notes :

- 1) Function : Overrunning, Backstopping, Indexing
- 2) $T_{max} = 2 \times T_n$.
- 3) The maximum Overrunning speeds are for Oil lubrication only.
- 4) Shaft dia. is to be controlled within h6/j6.

- 5) Keyway as per DIN 6885 - 1.
- 6) Other sizes on request.
- 7) All dimensions are in m.m.
- 8) We manufacturing in inch series also.

Ordering Example :

- > When ordering please specify bore dia. with direction of Rotation of inner race freewheeling seen from Arrow, CW for Clockwise & CCW for Anti-clockwise.
- > **NAL F1F4 50 - 50 CW**

Dimensions/Design subject to modifications without any prior information.

DISTRIBUTED BY



chainanddrives.com.au
support@chainanddrives.com.au