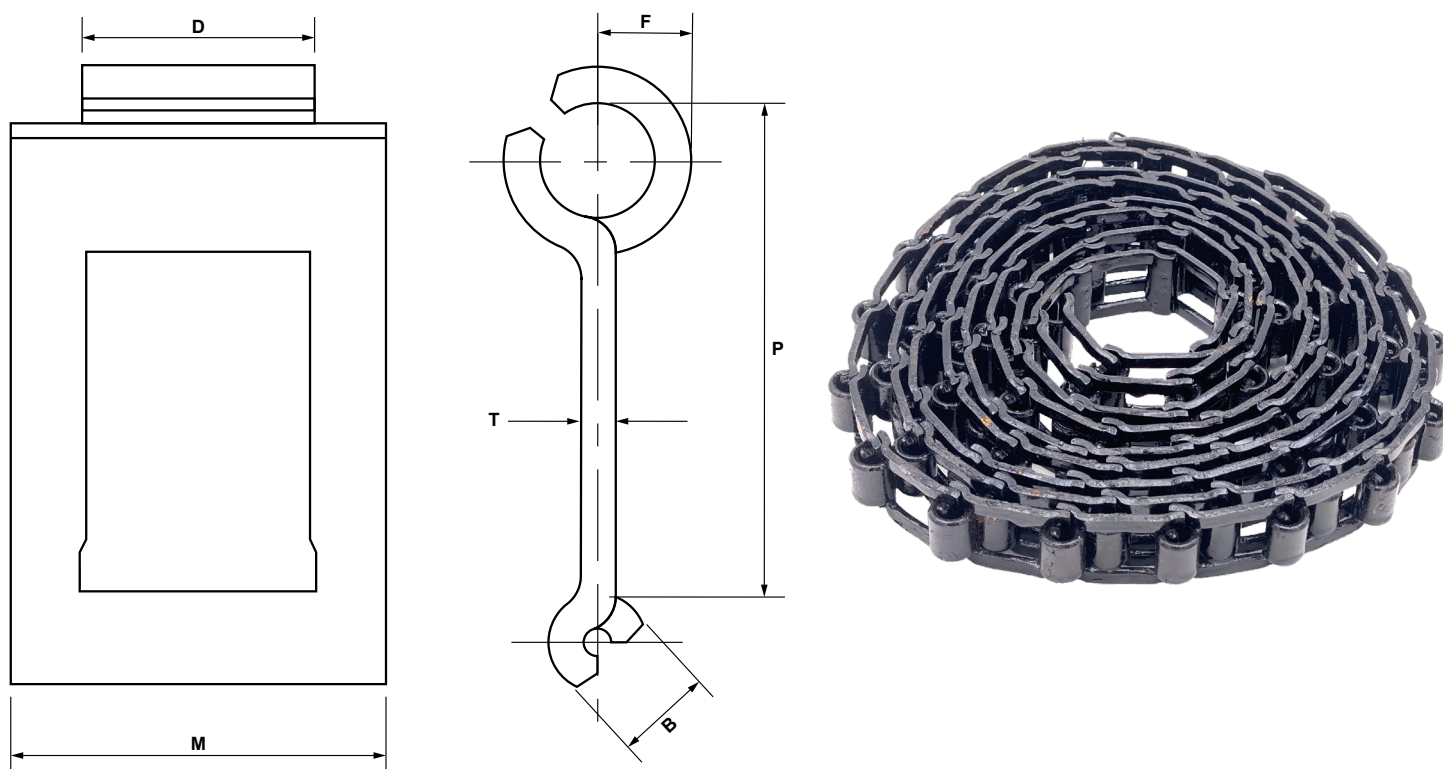


Pressed Steel Detachable Chain



Chain	P	F	D	B	M	T	U.T.S. (kN)
25	22.91	4.83	11.13	4.57	17.56	1.6	3.38
32	29.31	6.1	15.49	5.84	23.61	2.03	5.87
42	34.93	7.49	20.32	6.73	30.95	2.41	7.47
51	29.34	6.1	18.29	6.89	27.79	2.29	7.47
52	38.25	8.13	21.84	7.7	35.71	2.79	9.61
55	41.42	8.51	20.65	8.13	32.54	2.92	9.96
62	40.01	9.02	25.45	8.51	39.09	3.51	15.66
67H	68.65	12.7	28.19	11.38	47.62	4.44	19.57
67XH	58.65	10.16	28.19	11.38	47.62	4.83	24.46
72	66.27	11.3	28.19	10.39	49.21	4.06	17.79

All measurements are in mm unless otherwise stated.