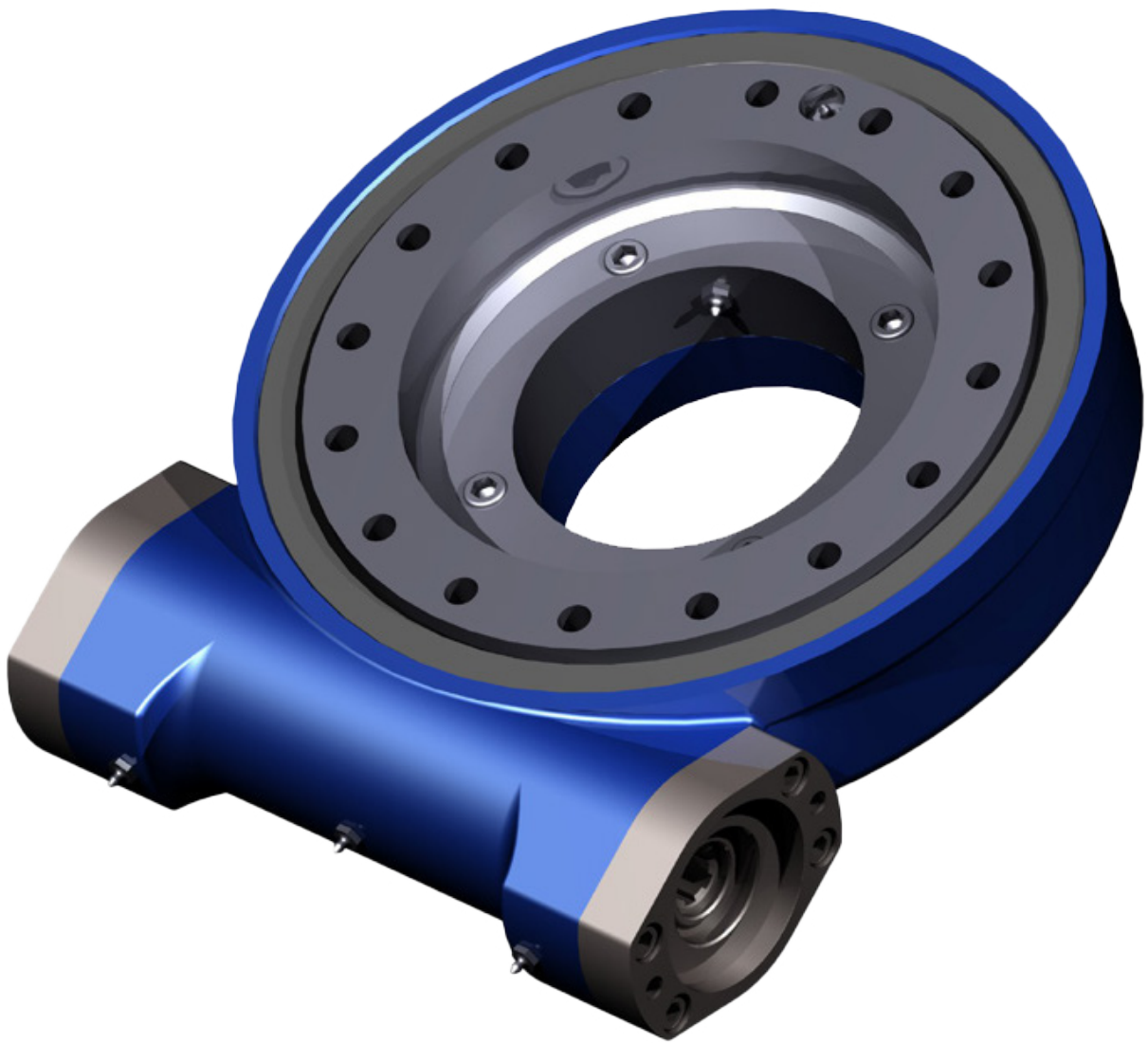


TRANS DRIVE[®]

DRIVE PERFORMANCE



Slewing Drives

transdrive.com.au

TRANSDRIVE[®]

DRIVE PERFORMANCE

TransDrive was established to bring together our passion and experience in power transmission by being able to offer affordable, high-quality products to the power transmission and bearing market. Built on the philosophy of improving performance and quality of all of our TransDrive products.

Transdrive products have been manufactured and tested to meet ISO standards and the tough, working conditions of heavy industries.

Our team have experience in power transmission and bearings. Every product we design and manufacture is backed by years of industry knowledge and an understanding of what our customers and the market need.

At TransDrive, our goal is simple: to provide accessible, high-quality products at affordable pricing. With an unwavering commitment to excellence, TransDrive operates with a focus on providing innovative industry solutions.

Whether it is through our custom products, the standard range of pulleys, slew drives, chains and sprockets, TransDrive is dedicated to delivering effective solutions for the trades that offer increased productivity and reliability.

Distributors

Western Australia

Chain & Drives, Wangara

Unit 1, 45 Inspiration Drive,
Wangara, WA 6065 Australia

P +61 8 9303 4966

E support@chainanddrives.com.au

Chain & Drives, Welshpool

Unit 16, 51-53 Kewdale Road,
Welshpool, WA 6106 Australia

P +61 8 6314 1155

E support@chainanddrives.com.au

New South Wales

Chain & Drives, Arndell Park

Unit 7/70 Holbeche Road,
Arndell Park, NSW 2148 Australia

P +61 2 9674 8611

E salesnsw@chainanddrives.com.au

Tank Enviro Systems

Unit 6, 68 Railway Crescent,
Lisarow, NSW 2250

P +61 2 4328 1066

E tankadmin@tankenviro.com.au

Become a TransDrive Dealer

Interested in becoming a TransDrive Dealer?

Get in touch:

E info@transdrive.com.au

Contents

Introduction 4

Components	4	Installation and Care Instructions	5
------------	---	------------------------------------	---

HSE Series 7

HSE21	8	HSE25	12
HSE21-2	10	HSE25-2	14

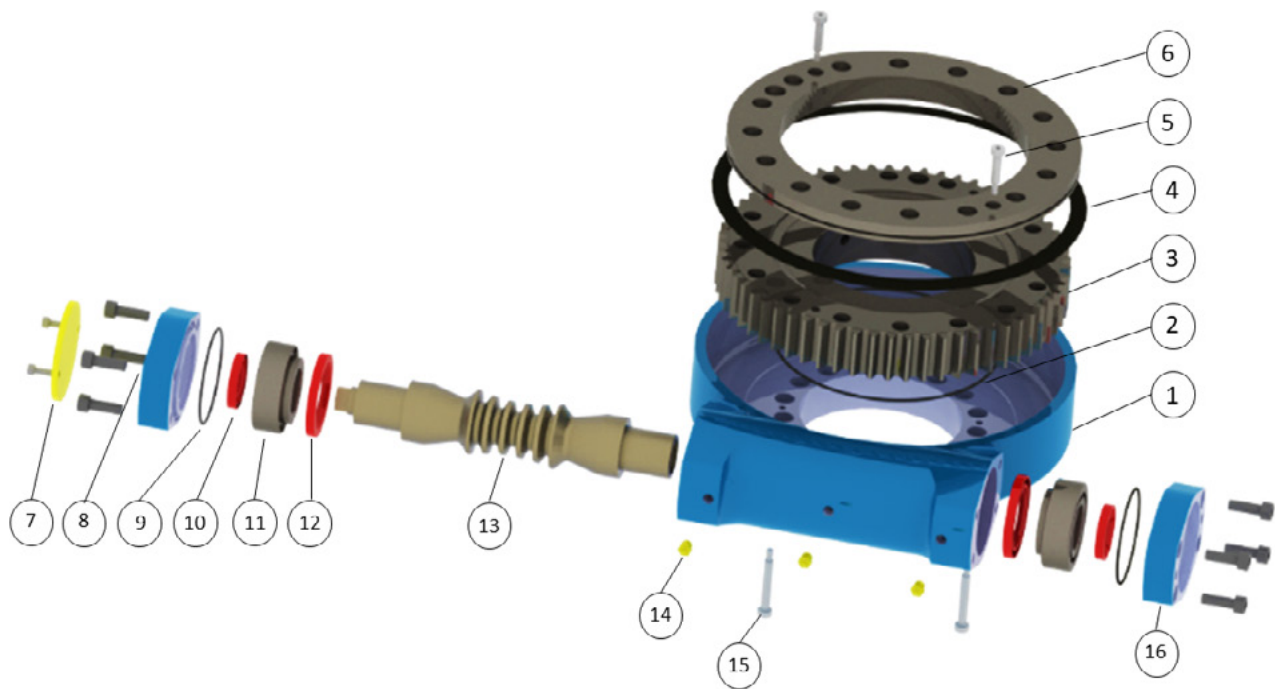
SE Series 16

SE3C/PE3C/ZE3C	17	SE14-2/S14-2	33
SE5A/PE5A/ZE5A	19	SE17A/PE17A	35
SE5C/PE5C	21	SE17-2/S17-2	37
SE7/PE7/ZE7	23	SE21/PE21	39
SE7A/PE7A	25	SE21-2/S21-2	41
SE9A/PE9A/ZE9A	27	SE25/PE25	43
SE12/PE12A/ZE12A	29	SE25-2/S25-2	45
SE14A/PE14A/ZE14A	31		

WEA Series 47

WEA7	48
WEA9	50
WEA12	52
WEA14	54
WEA17	56
WEA19	58
WEA21	60
WEA25	62

Components of a Slewing Drive



- | | |
|----------------------------|-----------------------------|
| 1. Enclosed Housing | 9. End cap O-rings |
| 2. Large O-ring | 10. Outer oil seals |
| 3. Slewing Ring | 11. Taper roller bearing |
| 4. Top plate seal | 12. Inner oil seals |
| 5. Upper positioning bolts | 13. Worm shaft |
| 6. Top plate | 14. Grease nipples |
| 7. Non-drive end cover | 15. Lower positioning bolts |
| 8. End cap and bolts | 16. Drive end adaptor cap |

Installation and Care Instructions

Horizontal Installation

It is advised to mount the slewing drives upside down on the azimuth axis in solar applications for better protection and add protection for the elevation axis. For other applications, the mounting directions shall be based on the evaluation of the protection level and it shall be better for better protection.

Vertical Installation

It is advised to mount the slewing drives referring to attached drawing upside in solar applications for better protection. For other applications, the mounting directions shall be based on the evaluation of the protection level and it shall be better for better protection.

Transport, Storage & Mounting Preparation

To ensure slewing drives last as long as possible and perform optimally, follow these guidelines:

- ▶ Always transport and store slewing drives horizontally to prevent damage.
- ▶ Avoid shock loads to protect the raceways from harm.
- ▶ Be careful not to dislodge seals or grease fittings when moving the drives.

In humid conditions, light to mild surface corrosion might occur, but it can be easily removed from the external surfaces. It's crucial to keep the raceways well-greased to prevent rust. TransDrive slewing drives are coated with epoxy in RAL 5005 Blue for added protection.

When stacking unwrapped bearings vertically, use wooden or rubber spacers to avoid surface damage. Protect exposed gear teeth from impact damage.

Do not suspend slewing rings from a crane with a single sling, and avoid placing them on the ground vertically, as they may deform under their own weight.

Flatness Defects

Under load, flatness defects must remain within the specified limits to prevent tight spots or seizure, both of which can reduce the ring's operating life. The listed values pertain to "long wave deviations" around the circumference. It's important to note that X-roller bearings require finer tolerances than ball bearings for smooth operation.

Shorter wave defects (e.g., between two bolt holes) must not exceed 25% of this value.

Radial direction defects, known as "conicity," must not exceed 0.05 mm/m based on the raceway diameter.

Raceway	7	9	12	14	17	19	21	25
Flatness deviation in	0.04"	0.12"	0.15"	0.15"	0.15"	0.17"	0.20"	0.20"

Tracking Accuracy

Under load, flatness defects must remain within the specified limits to prevent tight spots or seizure, both of which can reduce the ring's operating life. The listed values pertain to "long wave deviations" around the circumference. It's important to note that X-roller bearings require finer tolerances than ball bearings for smooth operation.

Shorter wave defects (e.g., between two bolt holes) must not exceed 25% of this value.

Radial direction defects, known as "conicity," must not exceed 0.05 mm/m based on the raceway diameter.

Installation and Care Instructions

Lubrication

TransDrive slewing drives are factory filled with a satisfactory grease. The re-greasing period is best determined by the environment in which the drive itself is kept. During re-greasing it is best to rotate the bearing to ensure the lubricant is evenly lubricated.

Environment	Recommended period
Dry, clean workshop	1000hrs duty or 12 months
Outside, exposed	500hrs duty or 6 months
Aggressive	50hrs duty or 2 months
Extreme	Continuous

The amount of grease required is given in the following table:

Raceway	3	5	7	9	12	14	17	19	21	25
Raceway	-	15	20	35	50	60	75	105	130	150
Worm Gear	35	60	65	100	110	110	120	130	140	150
Worm support brgs	7	7	7	10	10	10	10	10	10	10

Measurements are in grains

The responsibility remains with the client to ensure the bearing is sufficiently and freshly lubricated at time of installation. Below are some brands and their greases that are highly recommended.

Brand	Grease	Operating temp range
Kluber	Isoflex NBU 15	-20 to +120 C
Mobil	Mobiltemp SHC 100	-20 to +120 C
Cougar	CG 8100	-40 to +200 C

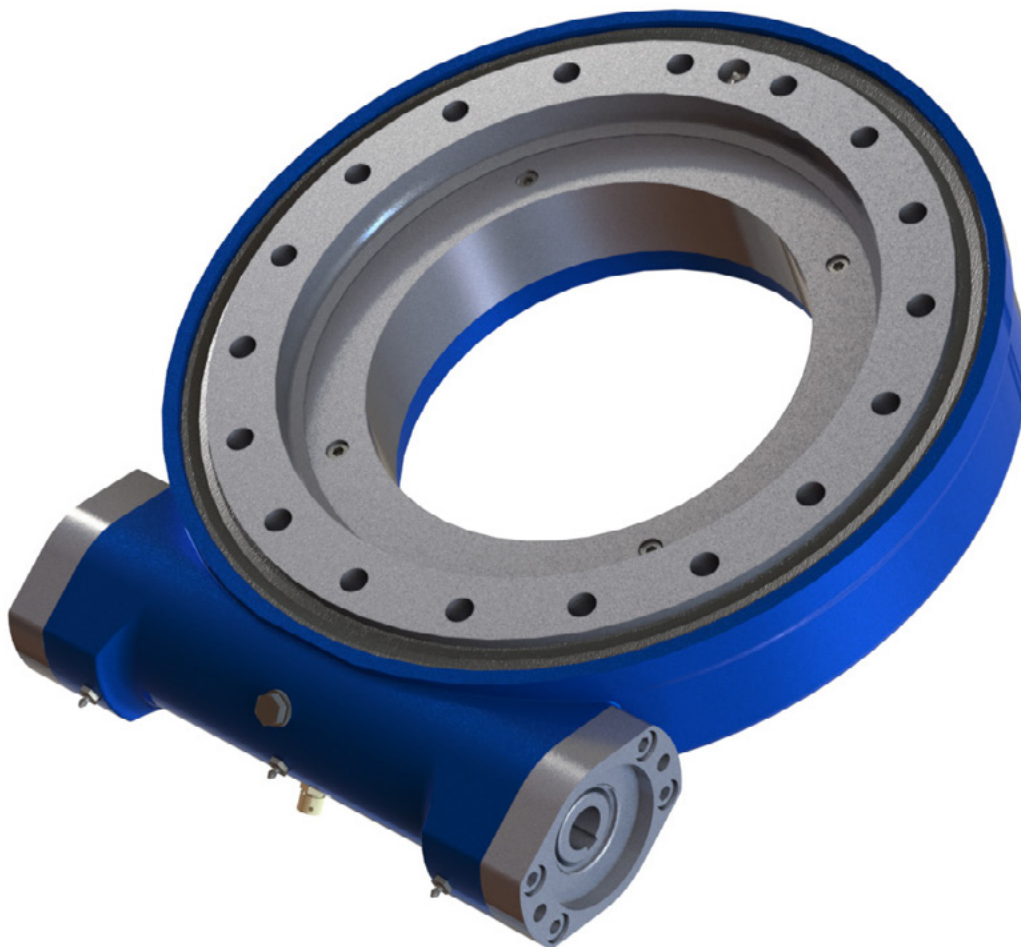
HSE Series

The HSE (High Speed Enclosed) Series features enclosed gearing for enhanced drive performance. This design offers superior protection against dust, moisture, and debris, increasing the drive system's durability and longevity.

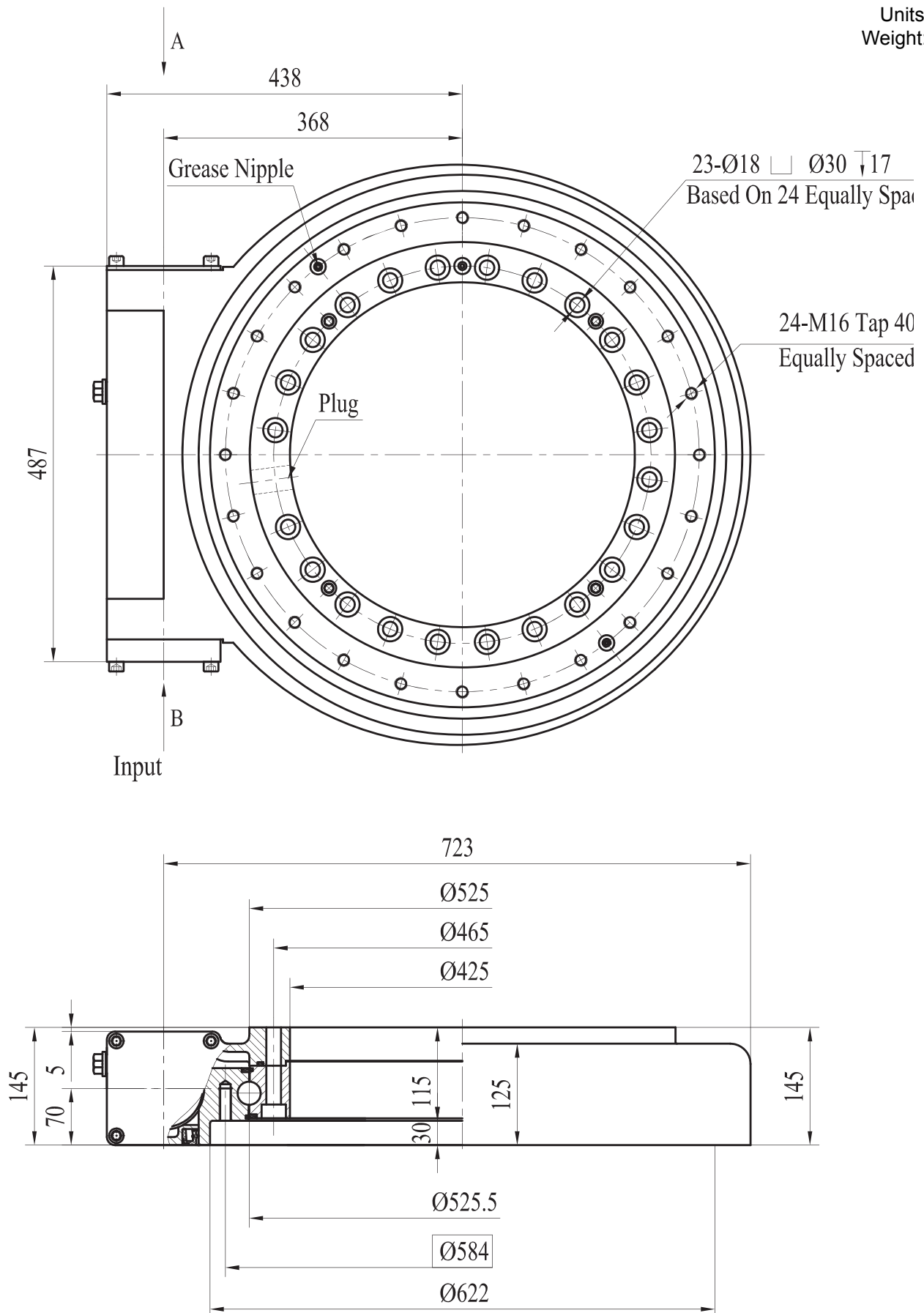
The improved performance ensures smoother, more efficient operation, reducing wear and maintenance needs. Ideal for demanding applications, the HSE Series delivers reliable functionality in tough conditions

Our range

- ▶ HSE21
- ▶ HSE21-2
- ▶ HSE25
- ▶ HSE25-2

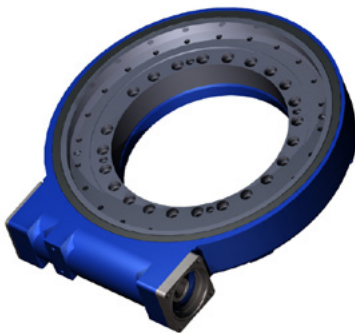
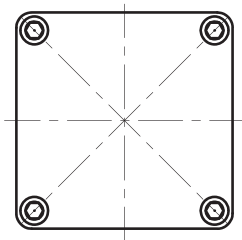


Units: mm
Weight: 186kg

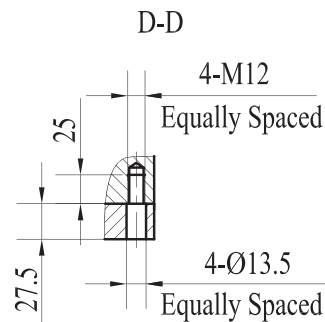
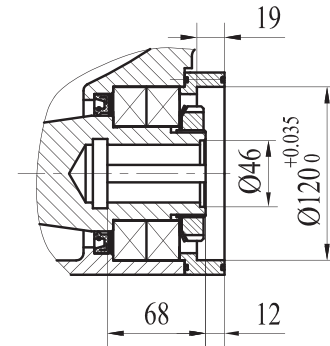
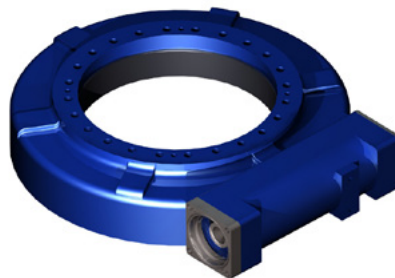
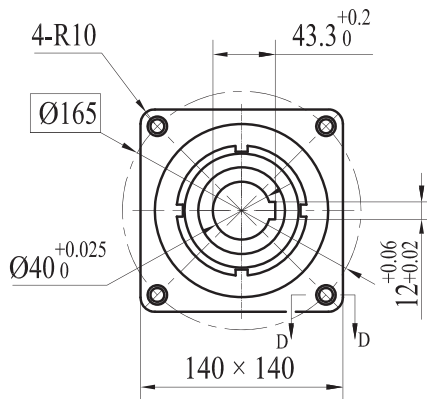


VIEW A

END CAP



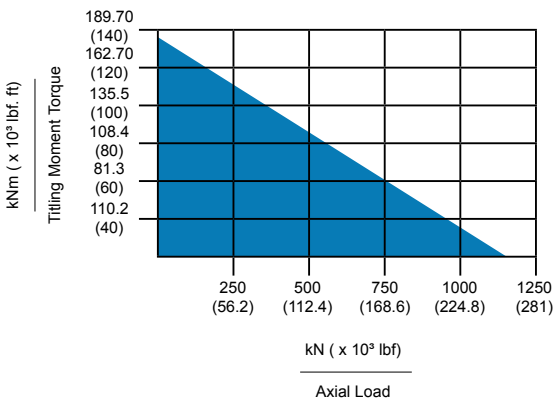
VIEW B



HSE21 - Worm Drive Performance Parameters

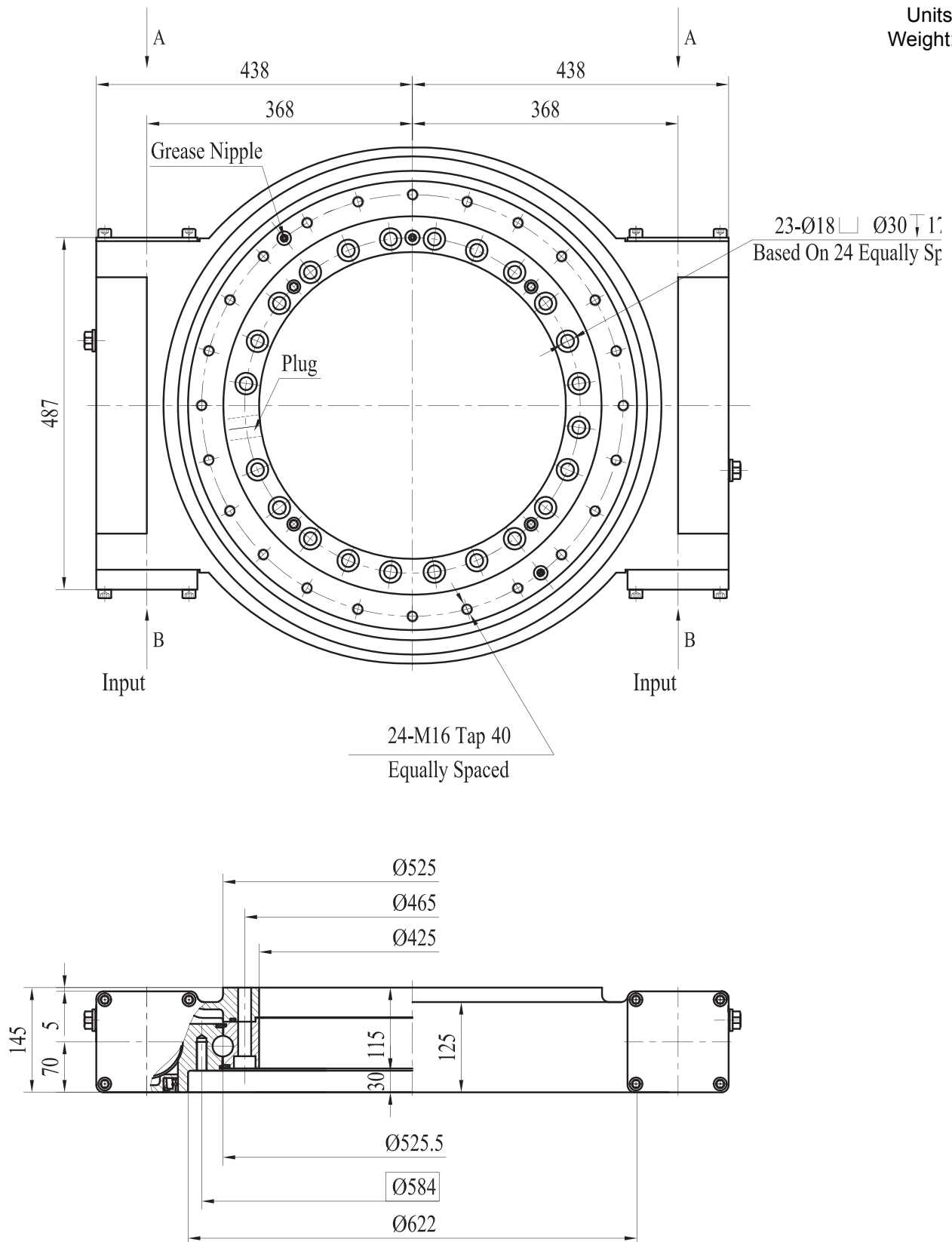
Model	Output Torque	Max Output Torque	Tilting Moment Torque	Static Axial Rating	Static Radial Rating	Dynamic Axial Rating	Dynamic Radial Rating	Gear Ratio	Tracking Precision	Weight
HSE21	21.8kNm 16078lbf.ft	26.6kNm 19618lbf.ft	167kNm 125 x 10 ³ lbf.ft	1058kN 238 x 10 ³ lbf	421kN 95 x 10 ³ lbf	265kN 60 x 10 ³ lbf	216kN 49 x 10 ³ lbf	82:1	≤0.15°	186kg

HSE21 - Moment Load Chart



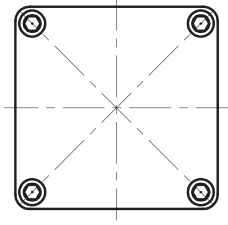
Notice: Please be sure to remain under this curve.

Units: mm
Weight: 206kg

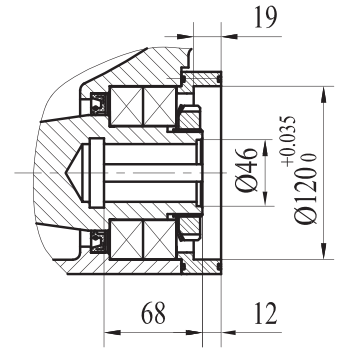
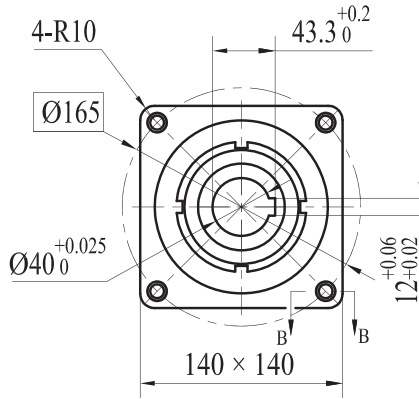


VIEW A OPTION

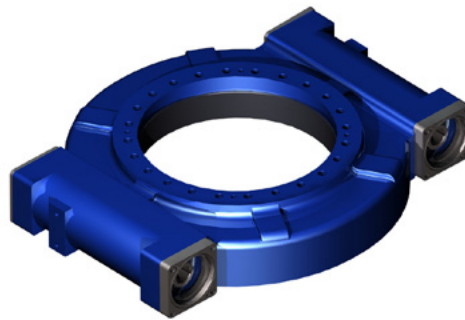
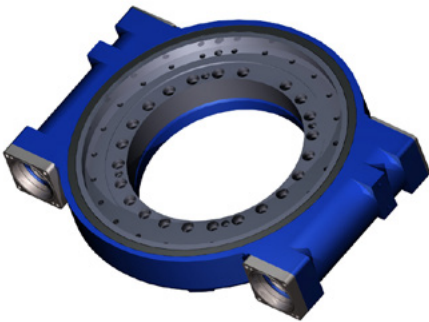
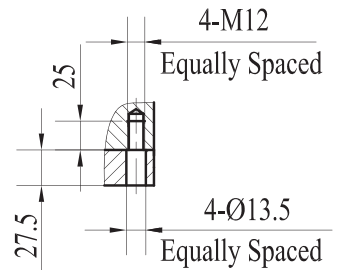
END CAP



VIEW B OPTION



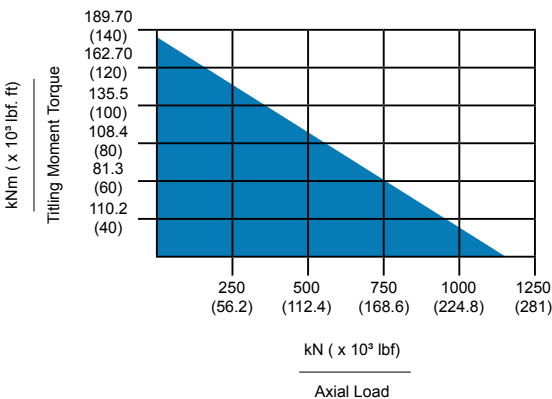
B-B



HSE21-2 - Worm Drive Performance Parameters

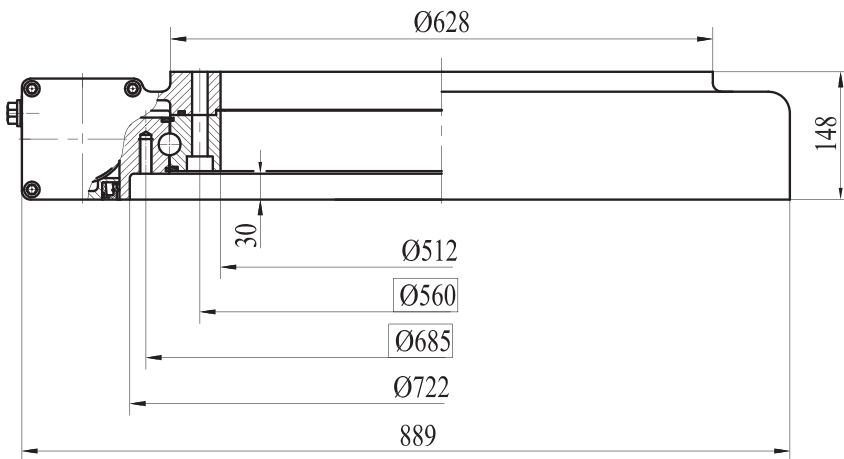
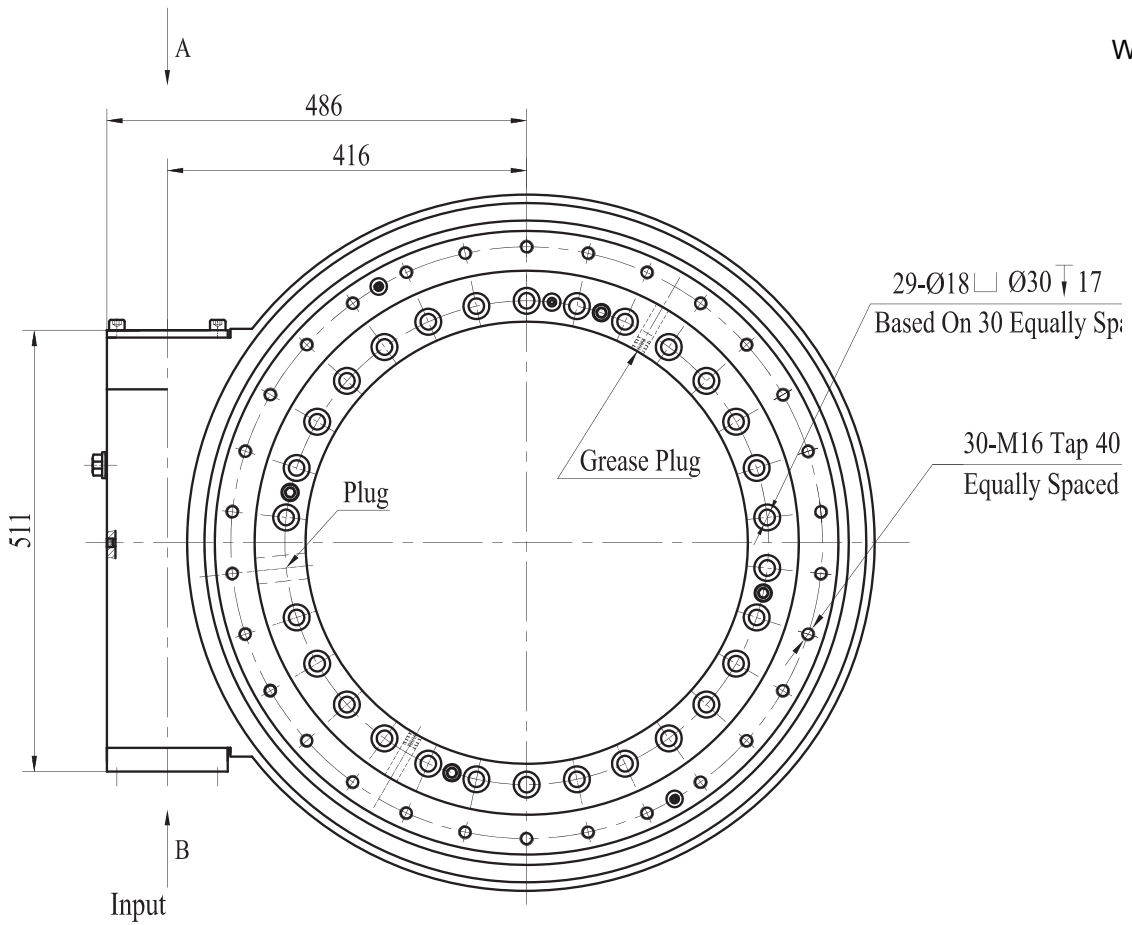
Model	Output Torque	Max Output Torque	Tilting Moment Torque	Static Axial Rating	Static Radial Rating	Dynamic Axial Rating	Dynamic Radial Rating	Gear Ratio	Tracking Precision	Weight
HSE21-2	43.6kNm 32264lbf.ft	52.3kNm 38702lbf.ft	167kNm 125 x 10 ³ lbf.ft	1058kN 238 x 10 ³ lbf	421kN 95 x 10 ³ lbf	265kN 60 x 10 ³ lbf	216kN 49 x 10 ³ lbf	82:1	≤0.15°	206kg

HSE21-2 - Moment Load Chart



Notice: Please be sure to remain under this curve.

Units: mm
Weight: 255kg

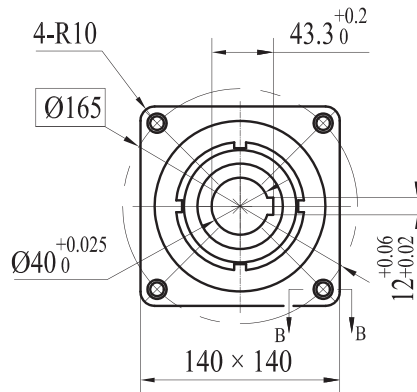
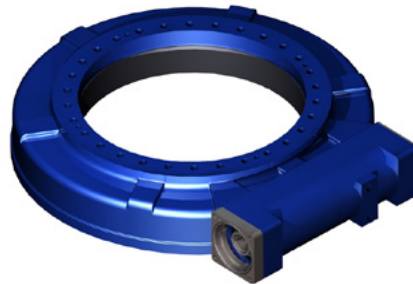
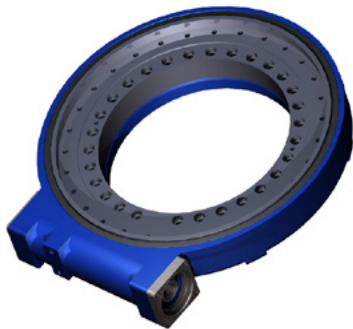
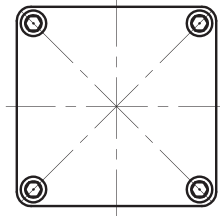


Ø40

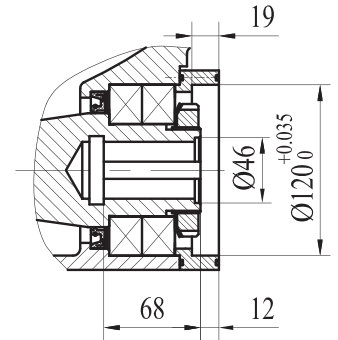
□ NORMAL

VIEW A

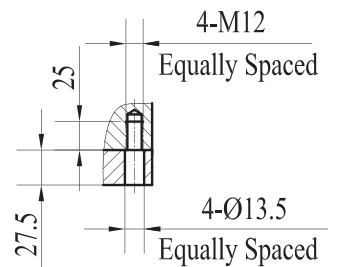
END CAP



VIEW B



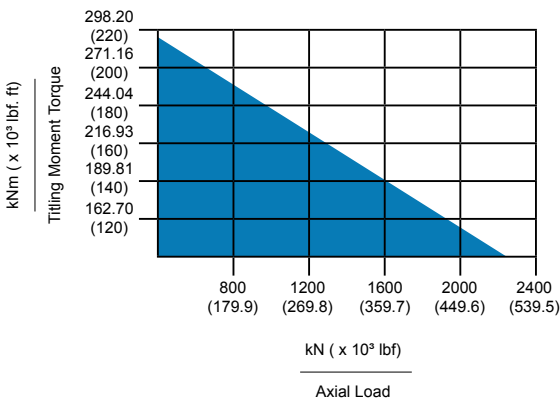
B-B



HSE25 - Worm Drive Performance Parameters

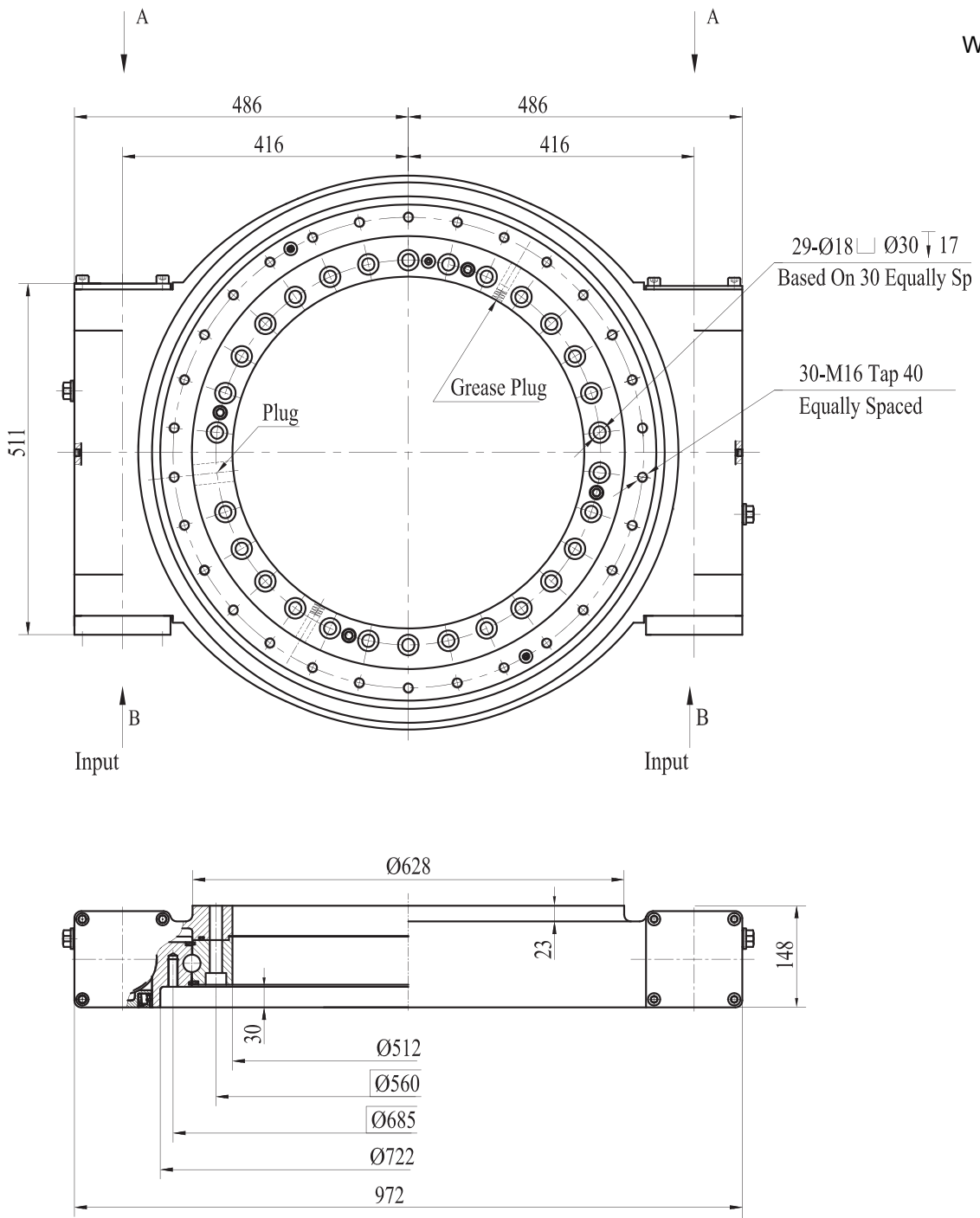
Model	Output Torque	Max Output Torque	Tilting Moment Torque	Static Axial Rating	Static Radial Rating	Dynamic Axial Rating	Dynamic Radial Rating	Gear Ratio	Tracking Precision	Weight
HSE25	25kNm 18439lbf.ft	30kNm 22140lbf.ft	271kNm 200 x 10 ³ lbf.ft	1360kN 531 x 10 ³ lbf	945kN 212 x 10 ³ lbf	590kN 133 x 10 ³ lbf	470kN 106 x 10 ³ lbf	94:1	≤0.15°	255kg

HSE25 - Moment Load Chart



Notice: Please be sure to remain under this curve.

Units: mm
Weight: 255kg

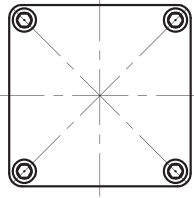


Ø40

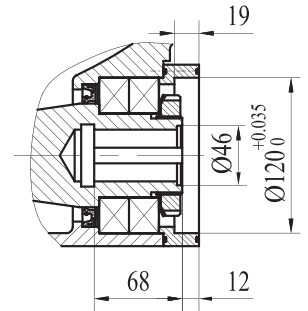
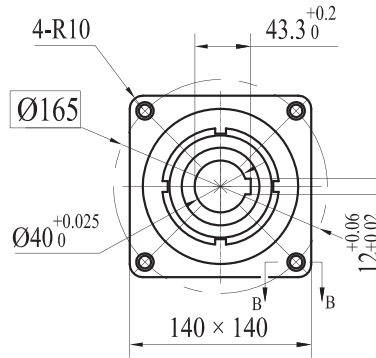
□ NORMAL

VIEW A OPTION

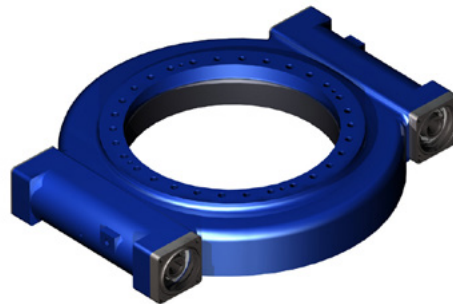
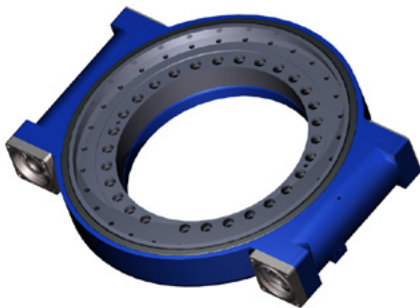
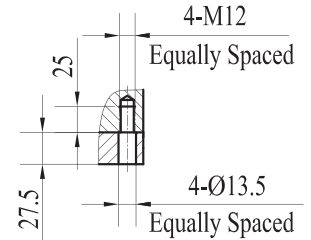
END CAP



VIEW B OPTION



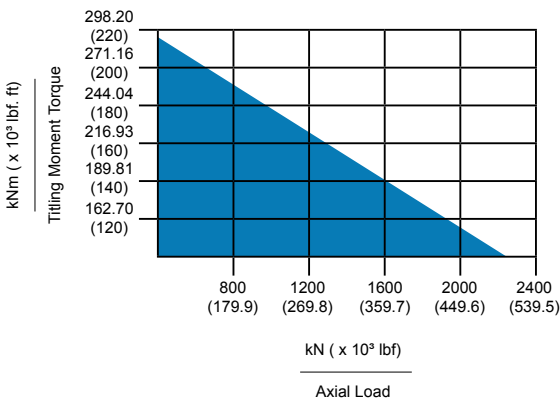
B-B



HSE25-2 - Worm Drive Performance Parameters

Model	Output Torque	Max Output Torque	Tilting Moment Torque	Static Axial Rating	Static Radial Rating	Dynamic Axial Rating	Dynamic Radial Rating	Gear Ratio	Tracking Precision	Weight
HSE25	50kNm 36878lbf.ft	60kNm 44280lbf.ft	271kNm 200 x 10 ³ lbf.ft	1360kN 531 x 10 ³ lbf	945kN 212 x 10 ³ lbf	590kN 133 x 10 ³ lbf	470kN 106 x 10 ³ lbf	94:1	≤0.15°	275kg

HSE25-2 - Moment Load Chart



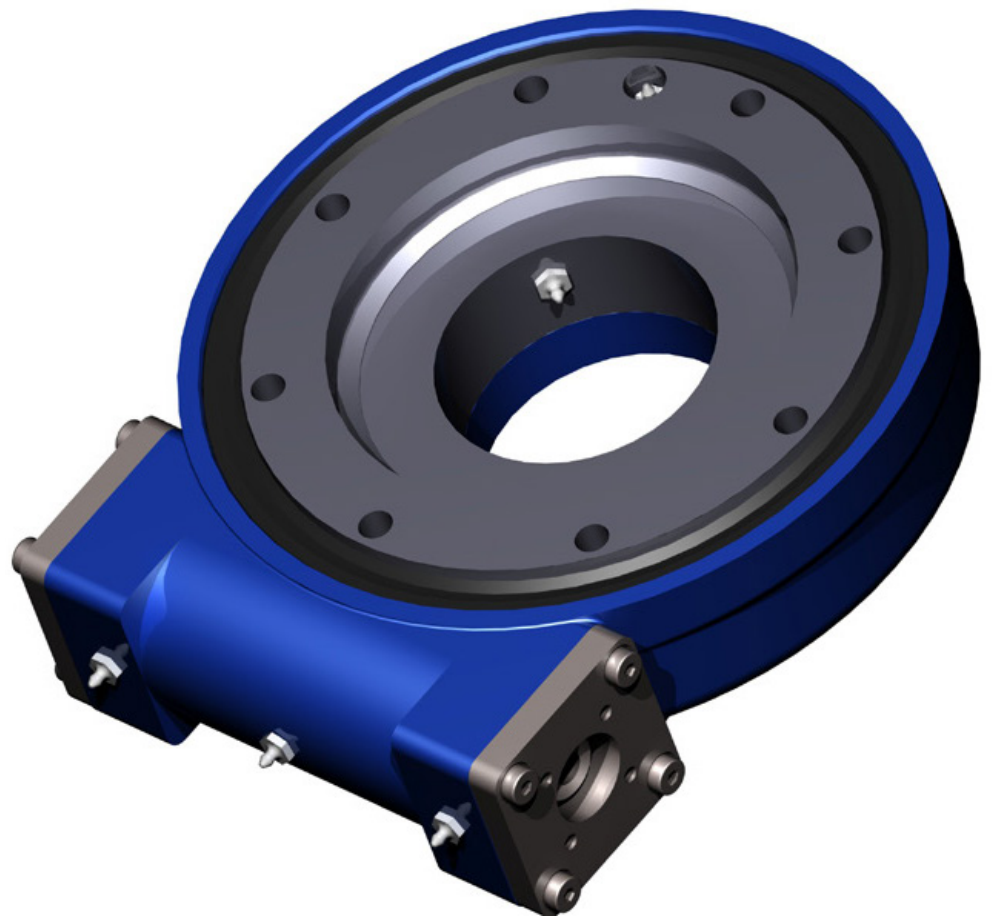
Notice: Please be sure to remain under this curve.

SE Series

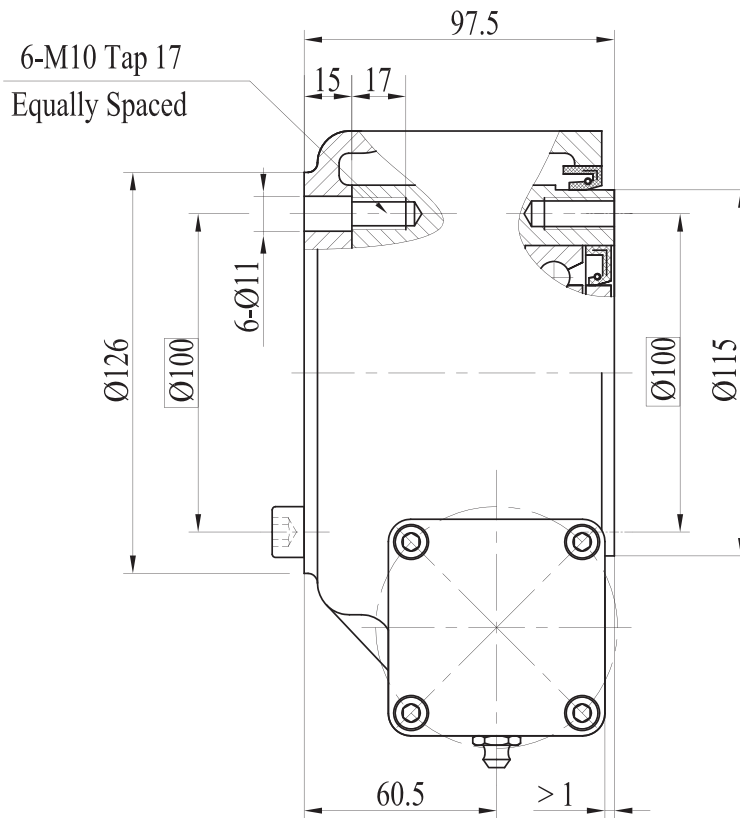
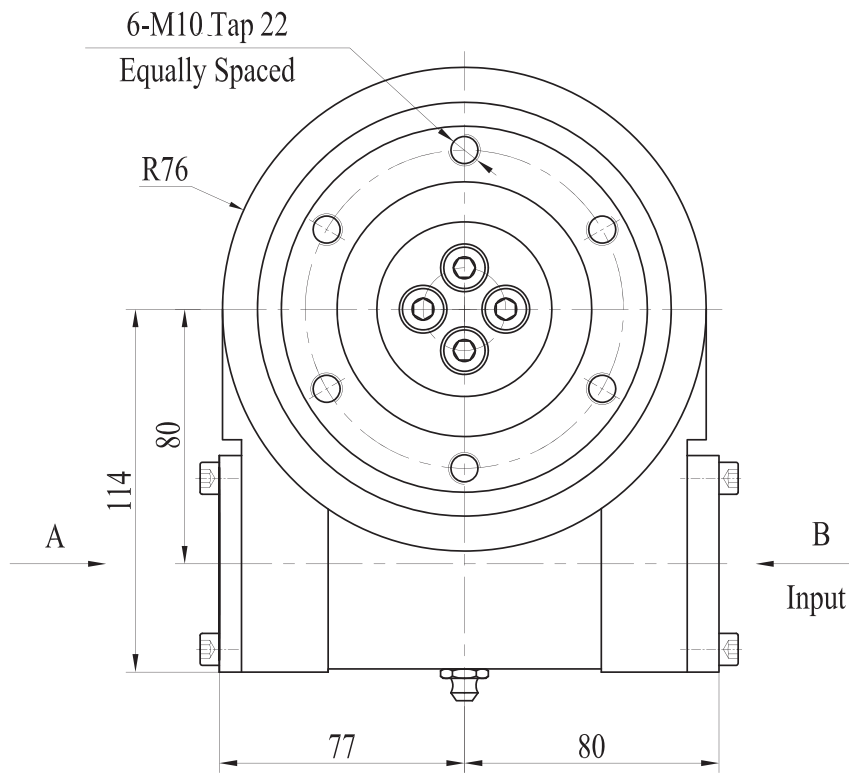
The SE (Slewing Enclosed) Series Slewing Drive is a compact and efficient solution designed to handle axial, radial, and tilting moment loads. It features an enclosed housing, slewing ring, worm, and support parts, allowing for precise rotation control and high torque capacity. The drive can be powered by either a hydraulic or electric motor, enabling clockwise and anticlockwise rotation. Its design allows for simple installation and easy maintenance, making it suitable for a wide range of applications such as solar energy, wind energy, construction, and manufacturing, where precise positioning and load handling are crucial

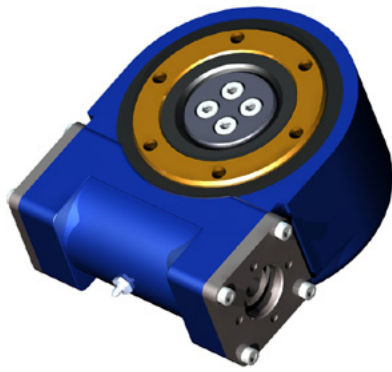
Our range

- ▶ SE3C/PE3C/ZE3C
- ▶ SE5A/PE5A/ZE5A
- ▶ SE5C/PE5C
- ▶ SE7/PE7/ZE7
- ▶ SE7A/PE7A
- ▶ SE9A/PE9A/ZE9A
- ▶ SE12A/PE12A/ZE12A
- ▶ SE14A/PE14A/ZE14A
- ▶ SE14-2/S14-2
- ▶ SE17A/PE17A
- ▶ SE17-2/S17-2
- ▶ SE21/PE21
- ▶ SE21-2/S21-2
- ▶ SE25/PE25
- ▶ SE25-2/S25-2

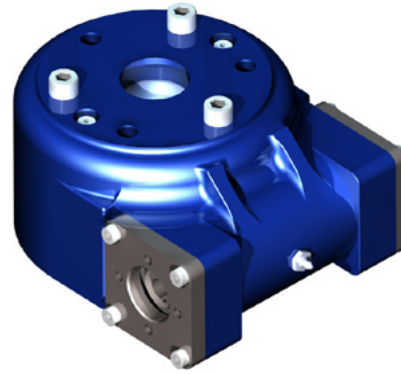


Units: mm
Weight: 12kg



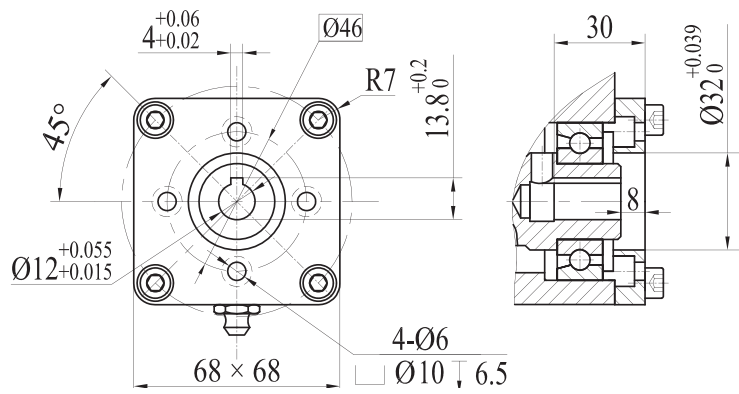
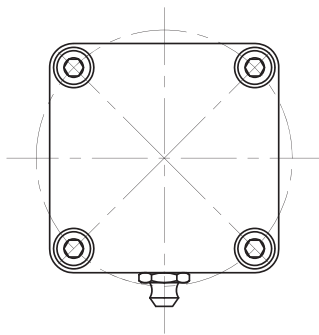


VIEW A



VIEW B

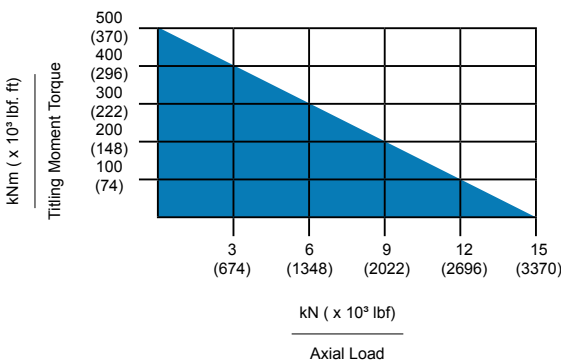
END CAP



SE3C/PE3C/ZE3C - Slewing Drive Performance Parameters

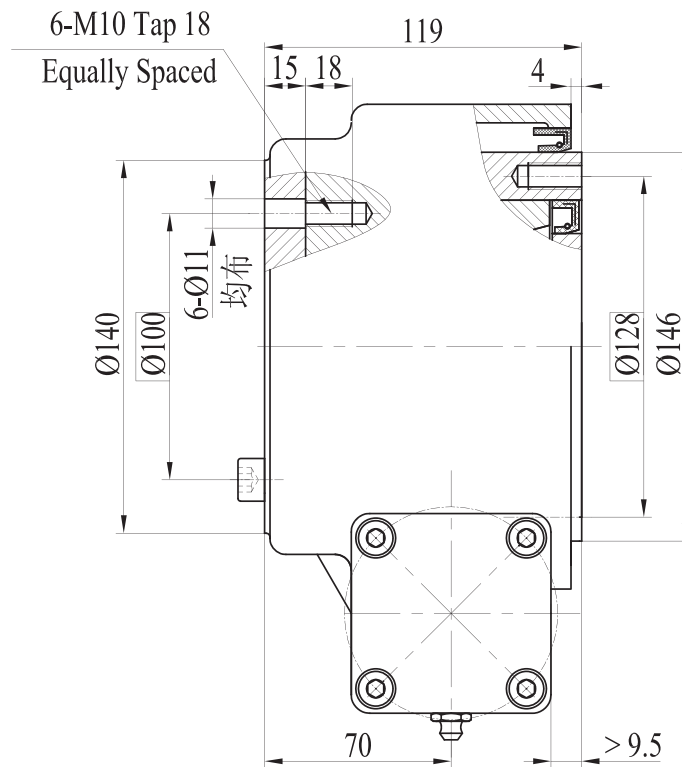
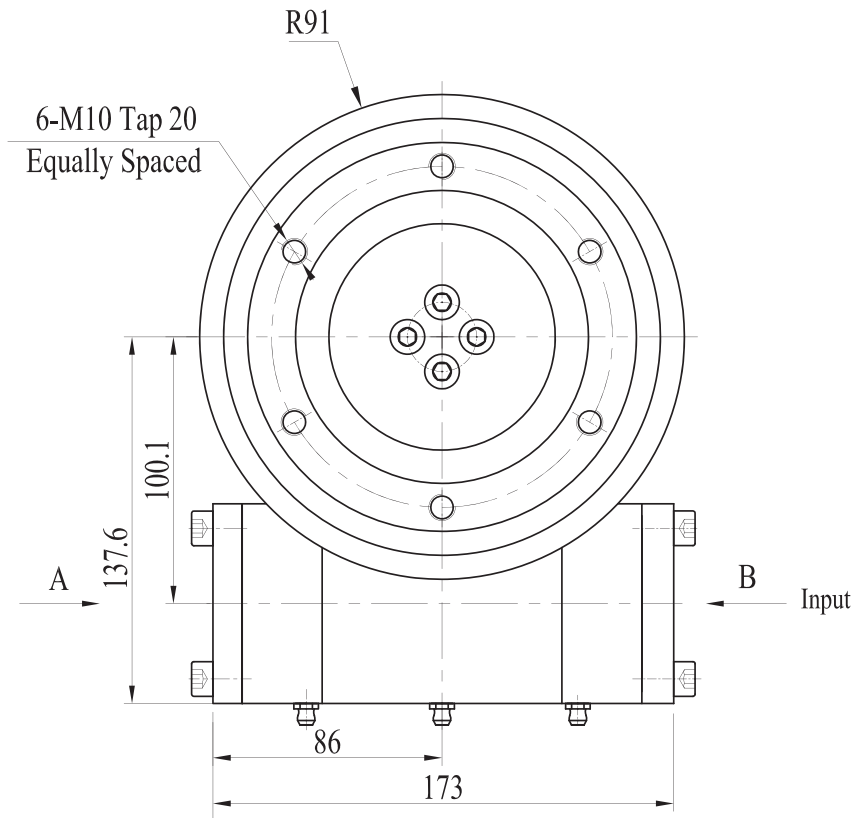
Output Torque	Tilting Moment Torque	Holding Torque	Static Axial Rating	Static Radial Rating	Dynamic Axial Rating	Dynamic Radial Rating	Gear Ratio	Tracking Precision			Weight
								SDE3	PDE3	ZDE3	
400Nm	500Nm	2000Nm	30kN	15kN	9.6kN	8.4kN	62:1	≤0.2°	I: ≤0.08°	0o	32kg
295lbf.ft	369lbf.ft	1475lbf.ft	6477lbf	3372lbf	2158lbf	1888lbf			II: ≤0.12°		

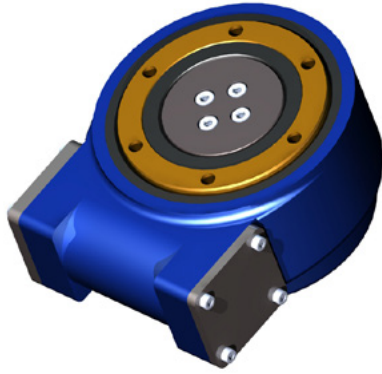
SE3C/PE3C/ZE3C - Moment Load Chart



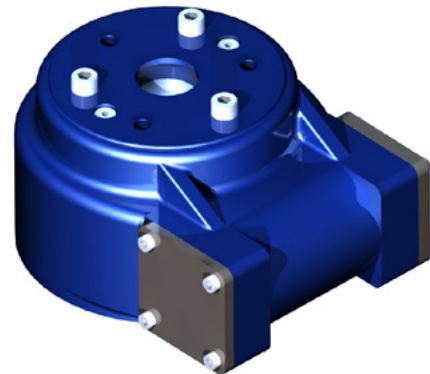
Notice: Please be sure to remain under this curve.

Units: mm
Weight: 20kg



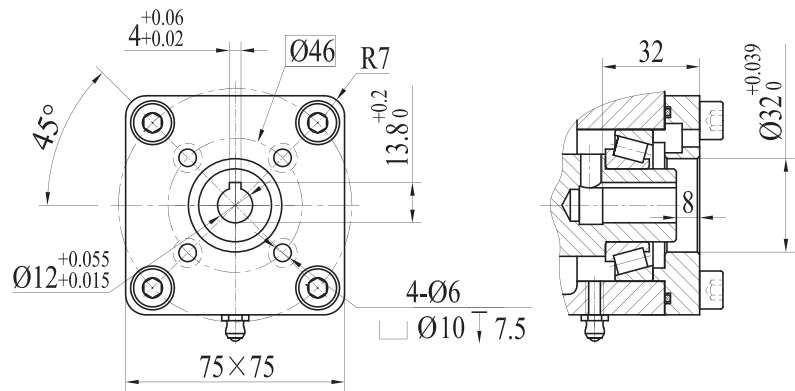
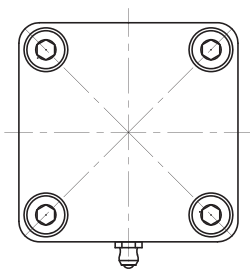


VIEW A



VIEW B

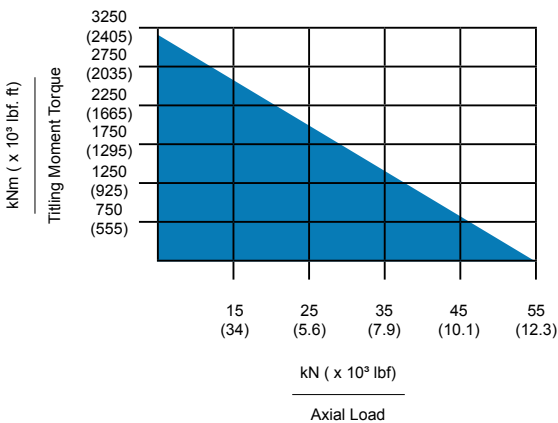
END CAP



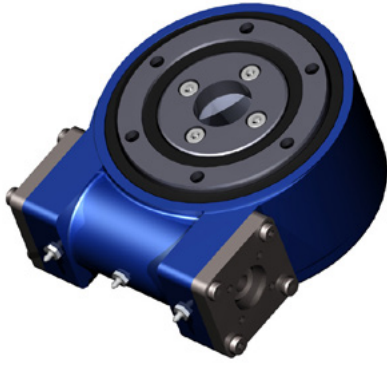
SE5A/PE5A/ZE5A - Slewing Drive Performance Parameters

Model	Output Torque	Tilting Moment Torque	Holding Torque	Static Axial Rating	Static Radial Rating	Dynamic Axial Rating	Dynamic Radial Rating	Gear Ratio	Tracking Precision	Weight
SE5A	600Nm	3000Nm	5500Nm	45kN	22kN	14.4kN	11.1kN	62:1	≤0.2°	20kg
	442.5lbf.ft	2212.5lbf.ft	4056.25lbf.ft	10116lbf	4945.6lbf	3237.1lbf	2495.3lbf			
PE5A	600Nm	3000Nm	5500Nm	45kN	22kN	14.4kN	11.1kN	62:1	I: ≤0.08° II: ≤0.12° III: ≤0.15°	20kg
	442.5lbf.ft	2212.5lbf.ft	4056.25lbf.ft	10116lbf	4945.6lbf	3237.1lbf	2495.3lbf			
ZE5A	360Nm	3000Nm	5500Nm	45kN	22kN	14.4kN	11.1kN	62:1	0o	20kg
	265.5lbf.ft	2212.5lbf.ft	4056.25lbf.ft	10116lbf	4945.6lbf	3237.1lbf	2495.3lbf			

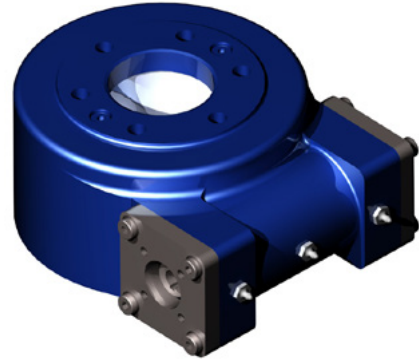
SE5A/PE5A/ZE5A - Moment Load Chart



Notice: Please be sure to remain under this curve.

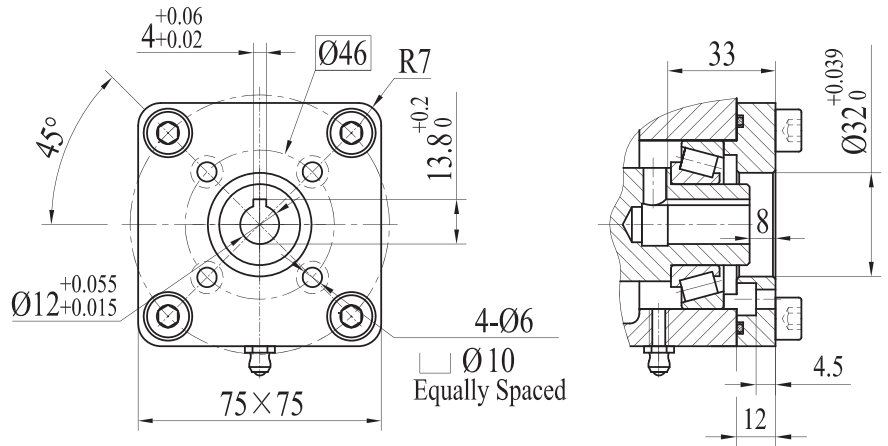
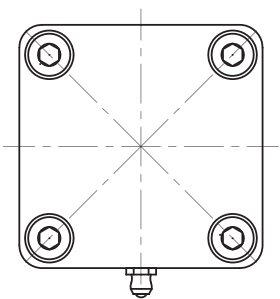


VIEW A



VIEW B

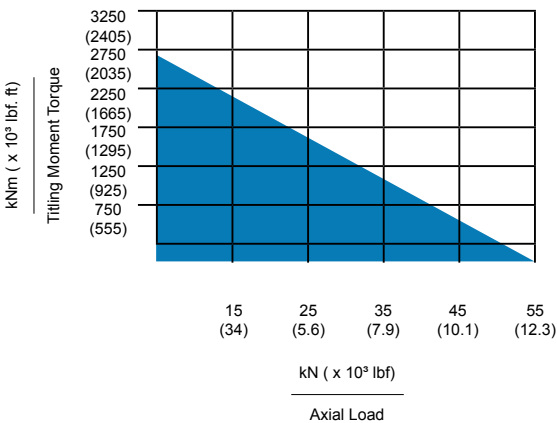
END CAP



SE5C/PE5C - Slewing Drive Performance Parameters

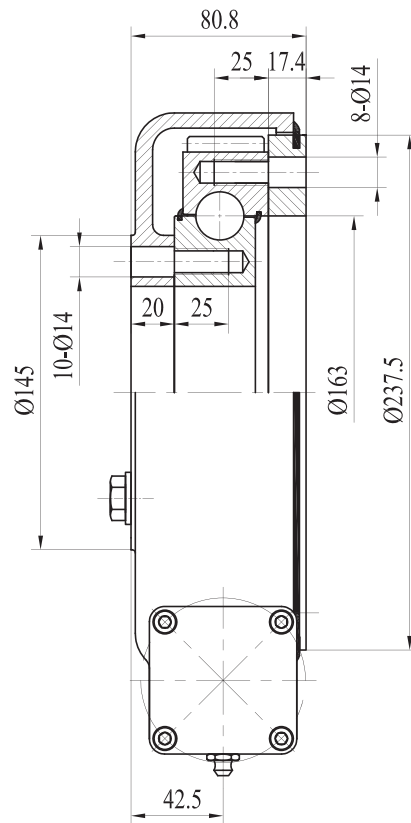
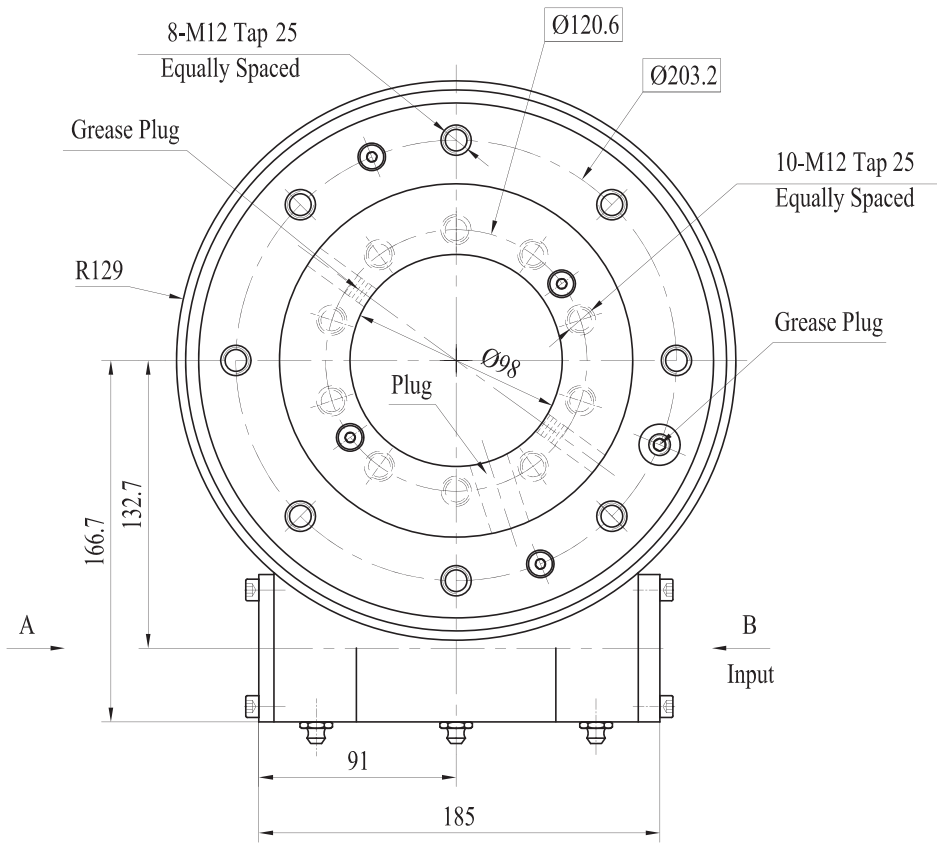
Model	Output Torque	Tilting Moment Torque	Holding Torque	Static Axial Rating	Static Radial Rating	Dynamic Axial Rating	Dynamic Radial Rating	Gear Ratio	Tracking Precision	Weight
SE5A	600Nm	3000Nm	5500Nm	45kN	22kN	14.4kN	11.1kN	62:1	$\leq 0.2^\circ$	20kg
	442.5lbf.ft	2212.5lbf.ft	4056.25lbf.ft	10116lbf	4945.6lbf	3237.1lbf	2495.9lbf			
PE5A	600Nm	3000Nm	5500Nm	45kN	22kN	14.4kN	11.1kN	62:1	I: $\leq 0.08^\circ$ II: $\leq 0.12^\circ$ III: $\leq 0.15^\circ$	20kg
	442.5lbf.ft	2212.5lbf.ft	4056.25lbf.ft	10116lbf	4945.6lbf	3237.1lbf	2495.9lbf			

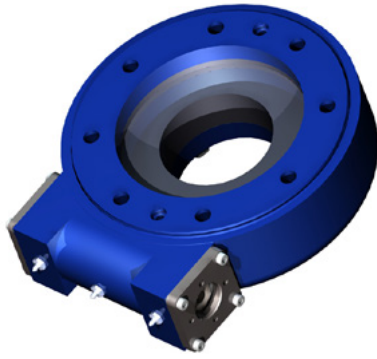
SE5C/PE5C - Moment Load Chart



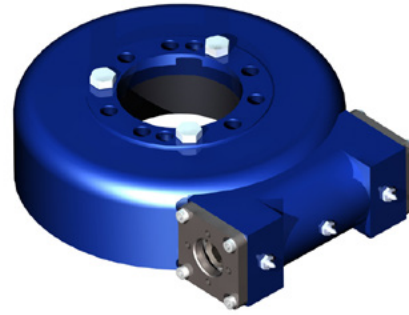
Notice: Please be sure to remain under this curve.

Units: mm
Weight: 21kg

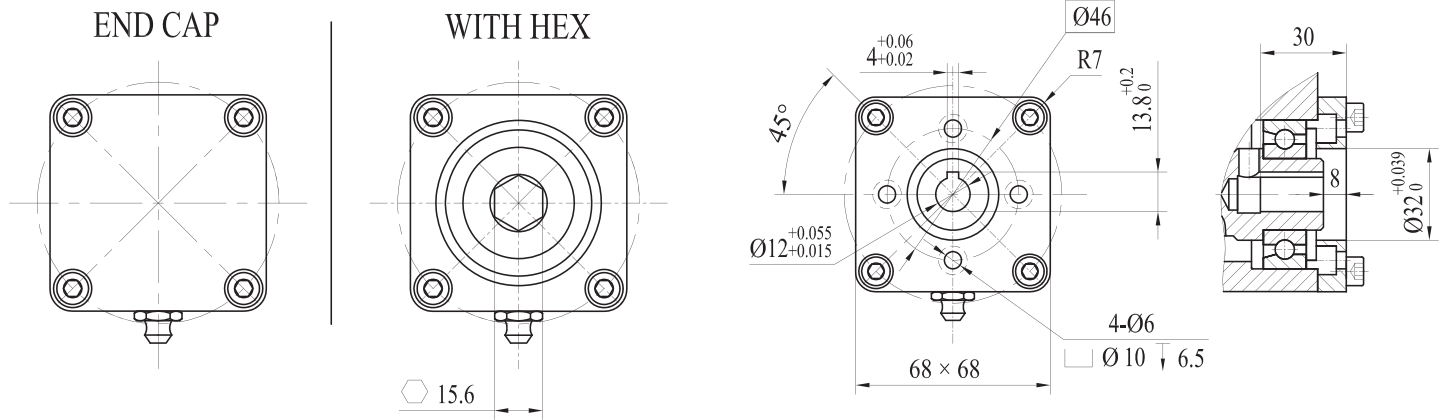




VIEW A OPTION



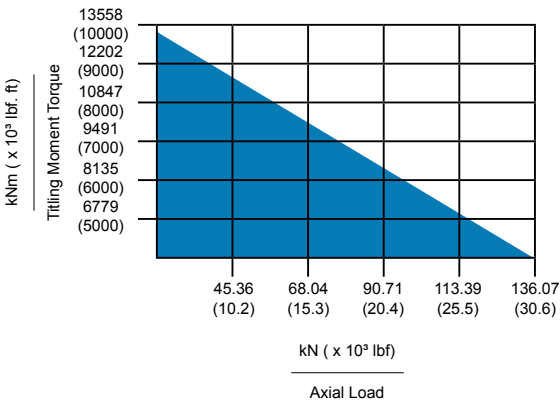
VIEW B



SE7/PE7/ZE7 - Slewing Drive Performance Parameters

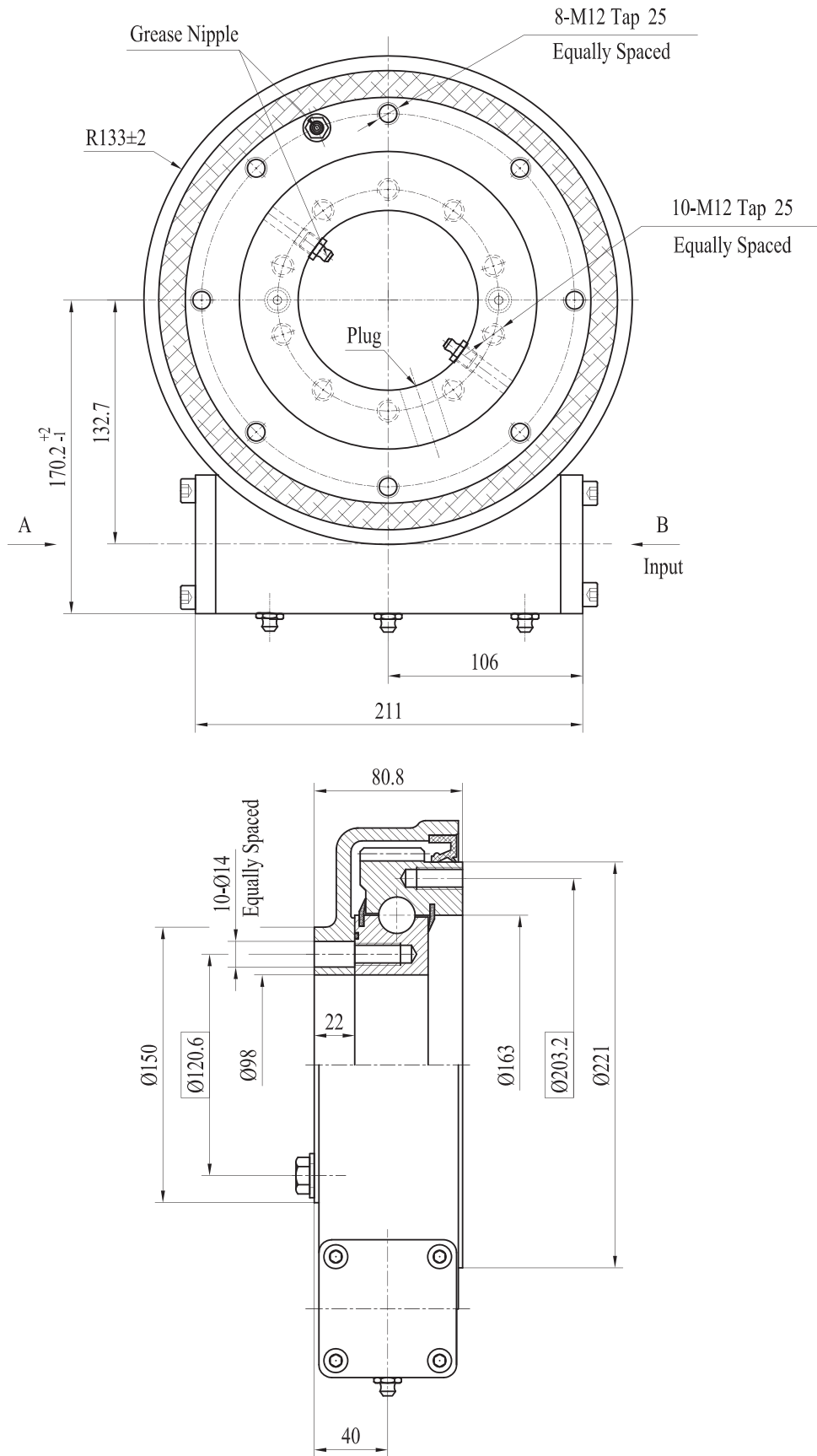
Model	Output Torque	Tilting Moment Torque	Holding Torque	Static Axial Rating	Static Radial Rating	Dynamic Axial Rating	Dynamic Radial Rating	Gear Ratio	Tracking Precision	Weight
SE7	1500Nm	13500Nm	10400Nm	133kN	53kN	32kN	28kN	73:1	≤0.2°	21kg
	1107lbf.ft	9957lbf.ft	7671lbf.ft	29900lbf	11915lbf	7194lbf	6295lbf			
PE7	1500Nm	13500Nm	10400Nm	133kN	53kN	32kN	28kN	73:1	I: ≤0.05° II: ≤0.07° III: ≤0.11°	21kg
	1107lbf.ft	9957lbf.ft	7671lbf.ft	29900lbf	11915lbf	7194lbf	6295lbf			
ZE7	600Nm	13500Nm	10400Nm	133kN	53kN	32kN	28kN	73:1	0o	20kg
	44°lbf.ft	9957lbf.ft	7671lbf.ft	29900lbf	11915lbf	7194lbf	6295lbf			

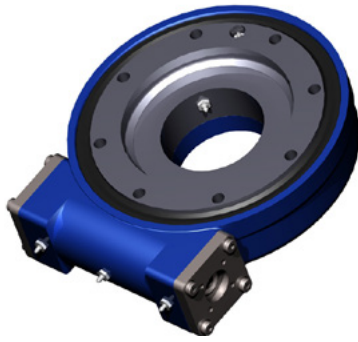
SE7/PE7/ZE7 - Moment Load Chart



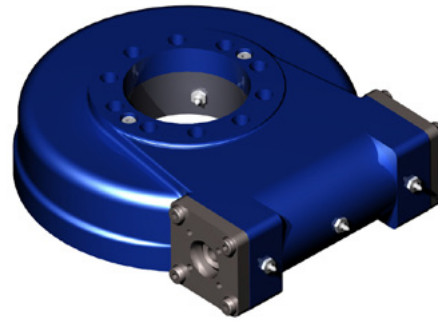
Notice: Please be sure to remain under this curve.

Units: mm
Weight: 25kg





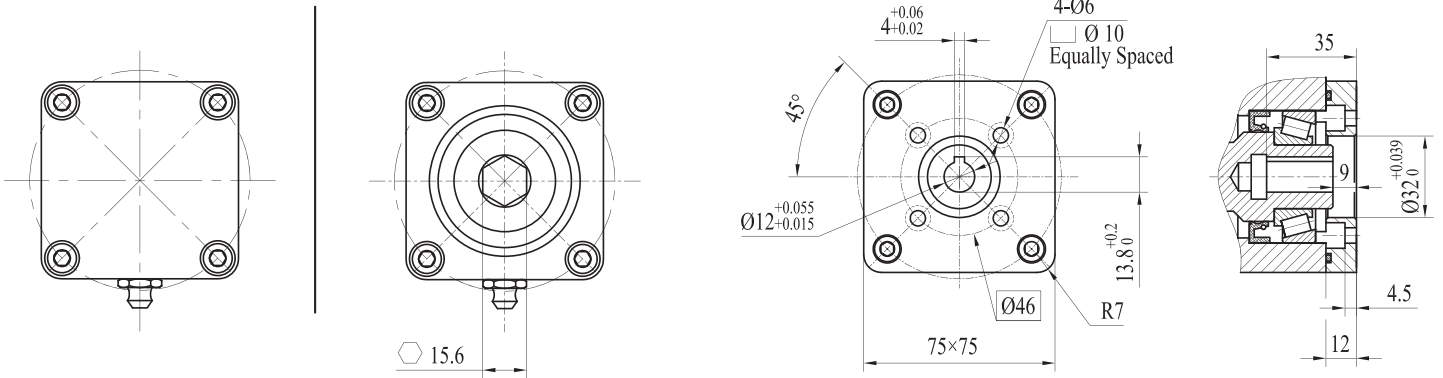
VIEW A OPTION



VIEW B

END CAP

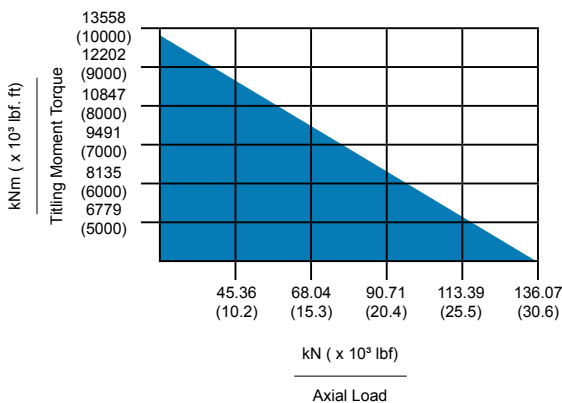
WITH HEX



SE7A/PE7A - Slewing Drive Performance Parameters

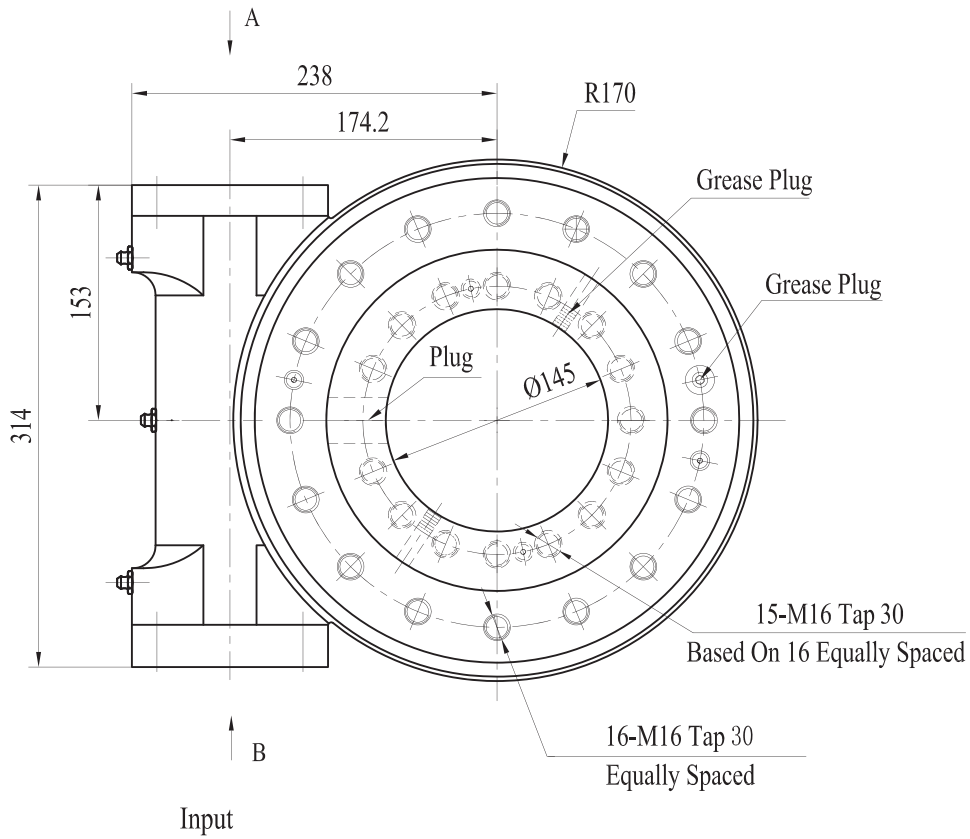
Model	Output Torque	Tilting Moment Torque	Holding Torque	Static Axial Rating	Static Radial Rating	Dynamic Axial Rating	Dynamic Radial Rating	Gear Ratio	Tracking Precision	Weight
SE7	1500Nm	13500Nm	10400Nm	133kN	53kN	32kN	28kN	73:1	≤0.2°	25kg
	1107lbf.ft	9957lbf.ft	7671lbf.ft	29900lbf	11915lbf	7194lbf	6295lbf			
PE7	1500Nm	13500Nm	10400Nm	133kN	53kN	32kN	28kN	73:1	I: ≤0.05° II: ≤0.07° III: ≤0.11°	25kg
	1107lbf.ft	9957lbf.ft	7671lbf.ft	29900lbf	11915lbf	7194lbf	6295lbf			

SE7A/PE7A- Moment Load Chart

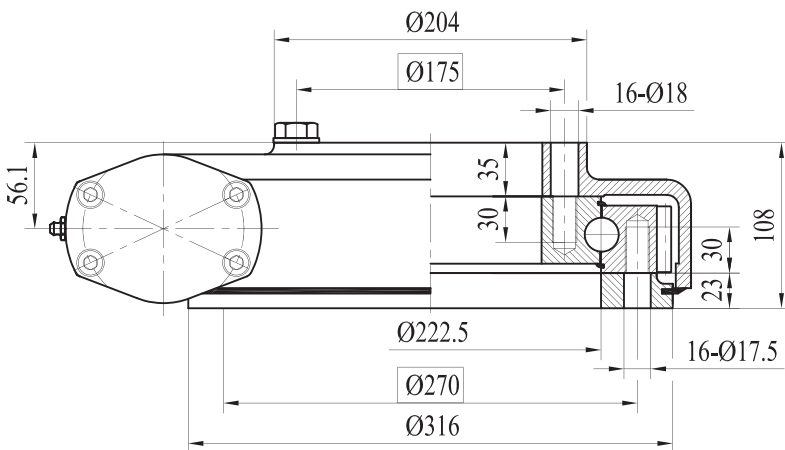
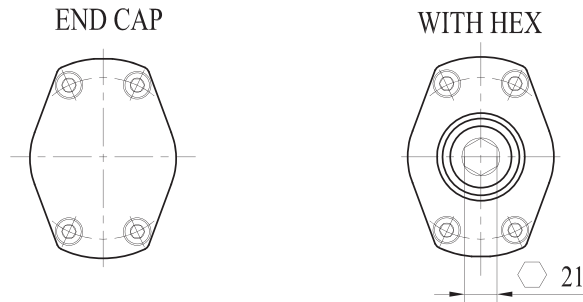


Notice: Please be sure to remain under this curve.

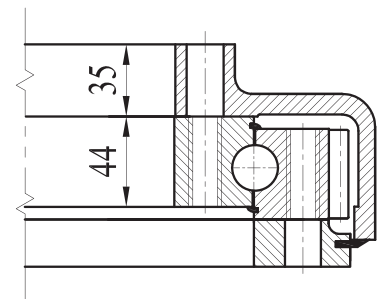
Units: mm
Weight: 49kg

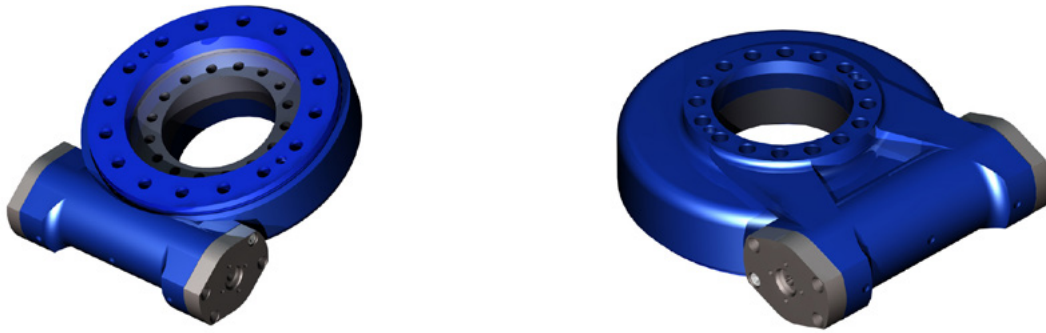


VIEW A OPTION

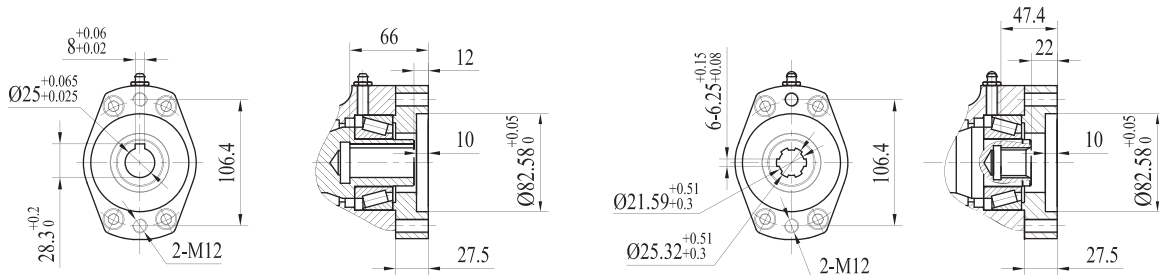


THRU HOLE OPTION





VIEW B OPTION



Ø12 Ø14 Ø16 Ø20 **Ø25**

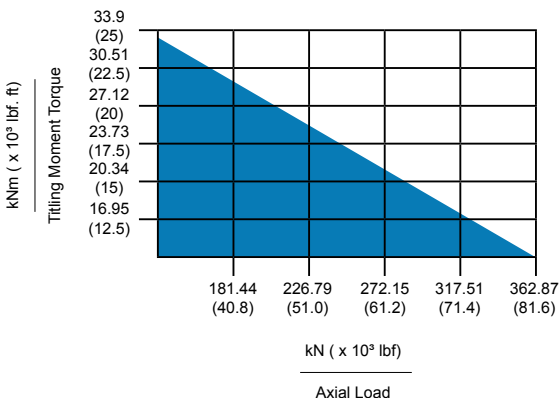
□ NORMAL

6B SPLINE

SE9A/PE9A/ZE9A - Worm Drive Performance Parameters

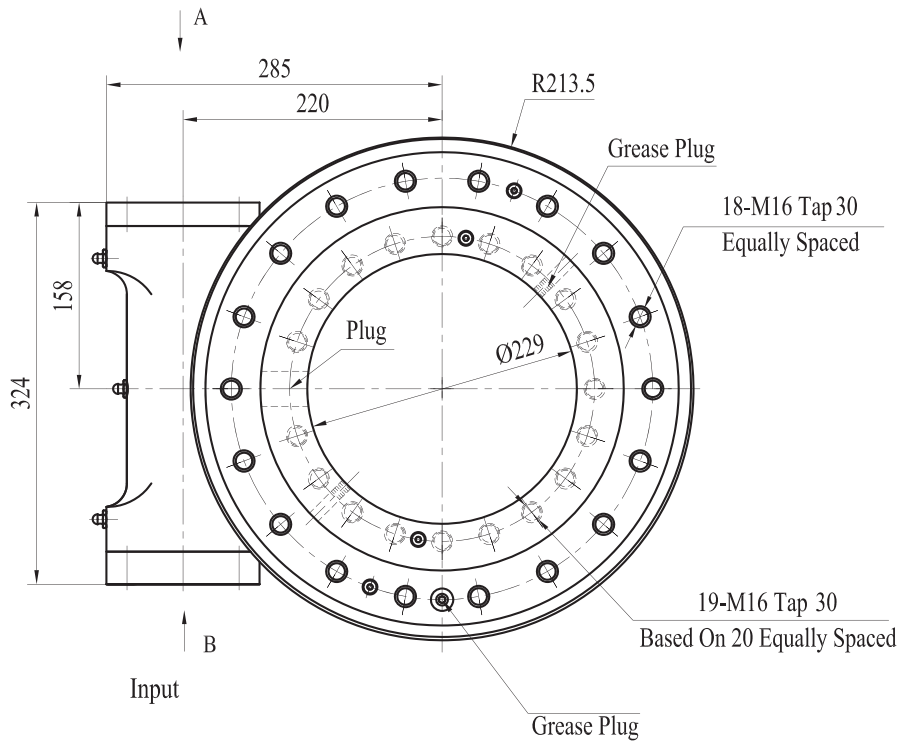
Model	Output Torque	Tilting Moment Torque	Holding Torque	Static Axial Rating	Static Radial Rating	Dynamic Axial Rating	Dynamic Radial Rating	Gear Ratio	Tracking Precision	Weight
SE9A	6.5kNm	33.9kNm	38.7kNm	338kN	135kN	81kN	71kN	61:1	≤0.17°	49kg
	4794lbf.ft	25 x 10 ³ lbf.ft	29 x 10 ³ lbf.ft	76 x 10 ³ lbf	30 x 10 ³ lbf	18 x 10 ³ lbf	16 x 10 ³ lbf			
PE9A	6.5kNm	33.9kNm	38.7kNm	338kN	135kN	81kN	71kN	61:1	I: ≤0.05° II: ≤0.07° III: ≤0.09°	49kg
	4794lbf.ft	25 x 10 ³ lbf.ft	29 x 10 ³ lbf.ft	76 x 10 ³ lbf	30 x 10 ³ lbf	18 x 10 ³ lbf	16 x 10 ³ lbf			
ZE9A	3.9kNm	33.9kNm	38.7kNm	338kN	135kN	81kN	71kN	61:1	0o	49kg
	2876lbf.ft	25 x 10 ³ lbf.ft	29 x 10 ³ lbf.ft	76 x 10 ³ lbf	30 x 10 ³ lbf	18 x 10 ³ lbf	16 x 10 ³ lbf			

SE9A/PE9A/ZE9A - Moment Load Chart



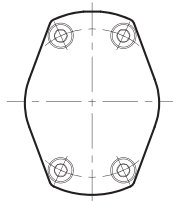
Notice: Please be sure to remain under this curve.

Units: mm
Weight: 61kg

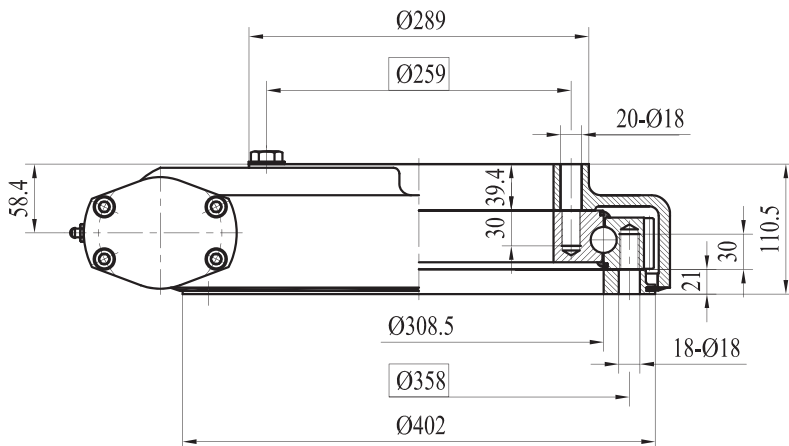
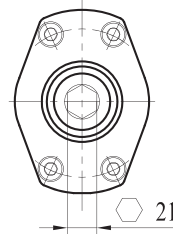


VIEW A OPTION

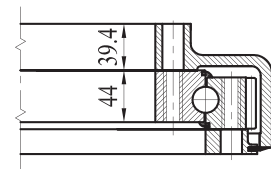
END CAP

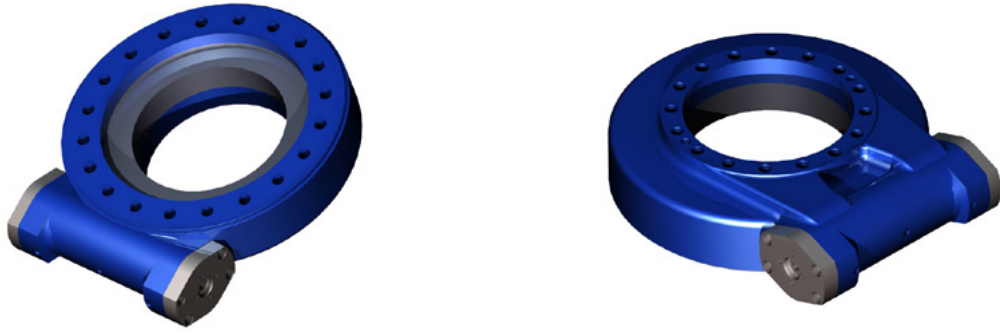


WITH HEX

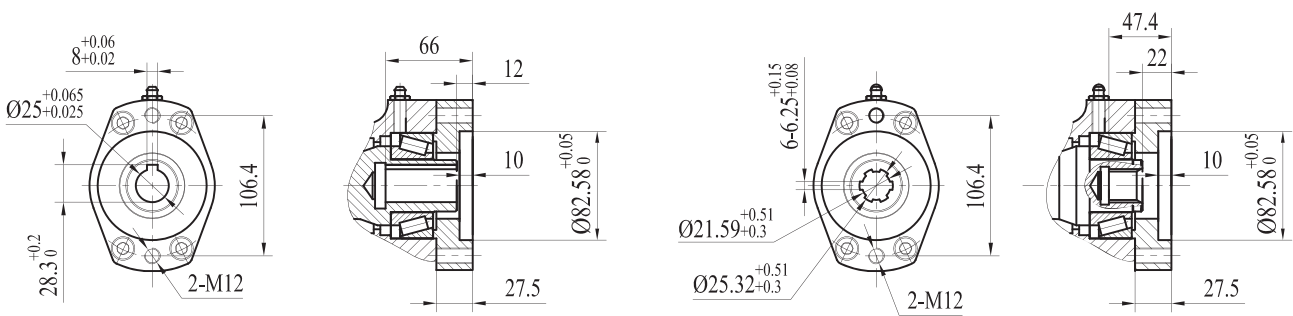


THRU HOLE OPTION





VIEW B OPTION



□ **Ø12** Ø14 Ø16 Ø20 **Ø25**

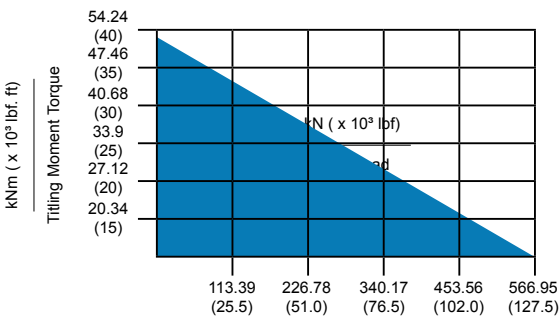
□ NORMAL

6B SPLINE

SE12A/PE12A/ZE12A - Worm Drive Performance Parameters

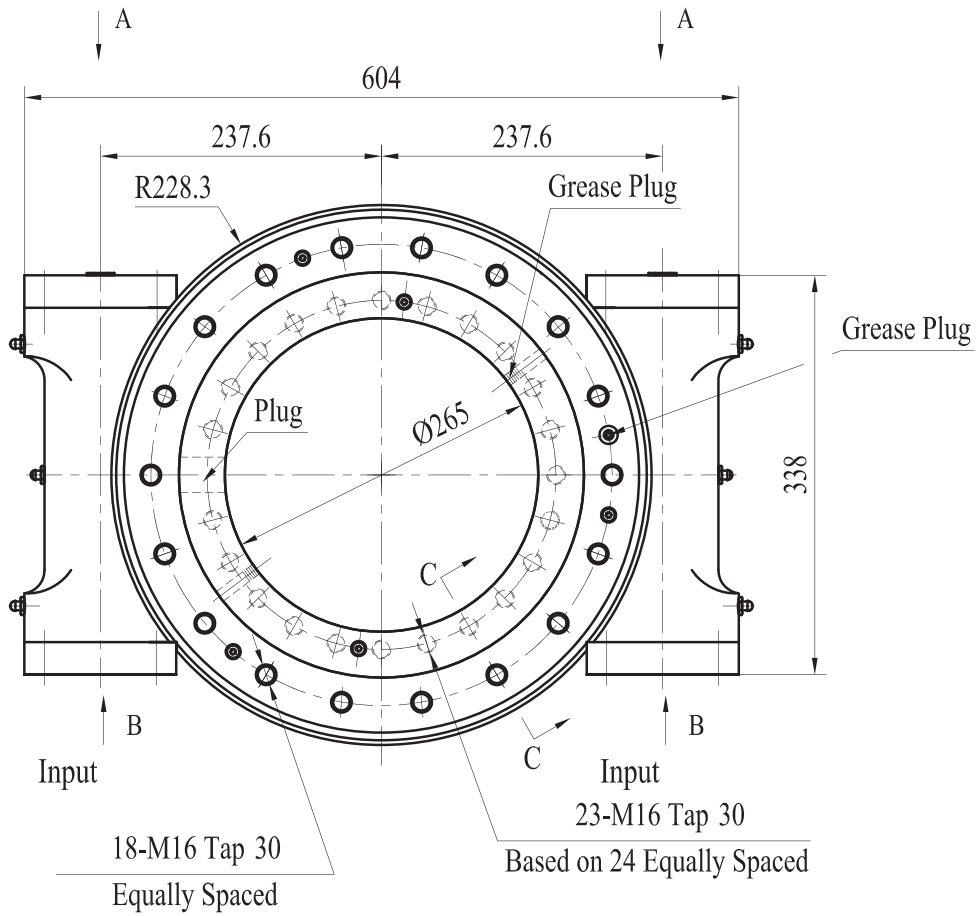
Model	Output Torque	Tilting Moment Torque	Holding Torque	Static Axial Rating	Static Radial Rating	Dynamic Axial Rating	Dynamic Radial Rating	Gear Ratio	Tracking Precision	Weight
SE12A	7.5kNm	54.3kNm	43kNm	475kN	190kN	114kN	100kN	78:1	≤0.17°	61kg
	5532lbf.ft	40 x 10 ³ lbf.ft	32 x 10 ³ lbf.ft	107 x 10 ³ lbf	43 x 10 ³ lbf	26 x 10 ³ lbf	23 x 10 ³ lbf			
PE12A	7.5kNm	54.3kNm	43kNm	475kN	190kN	114kN	100kN	78:1	I: ≤0.03° II: ≤0.05° III: ≤0.09°	61kg
	5532lbf.ft	40 x 10 ³ lbf.ft	32 x 10 ³ lbf.ft	107 x 10 ³ lbf	43 x 10 ³ lbf	26 x 10 ³ lbf	23 x 10 ³ lbf			
ZE12A	4.5kNm	54.3kNm	43kNm	475kN	190kN	114kN	100kN	78:1	0°	61kg
	3319lbf.ft	40 x 10 ³ lbf.ft	32 x 10 ³ lbf.ft	107 x 10 ³ lbf	43 x 10 ³ lbf	26 x 10 ³ lbf	23 x 10 ³ lbf			

SE12A/PE12A/ZE12A - Moment Load Chart



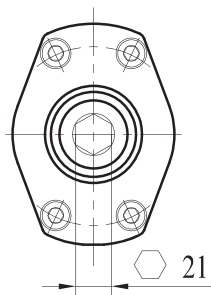
Notice: Please be sure to remain under this curve.

Units: mm
Weight: 64kg



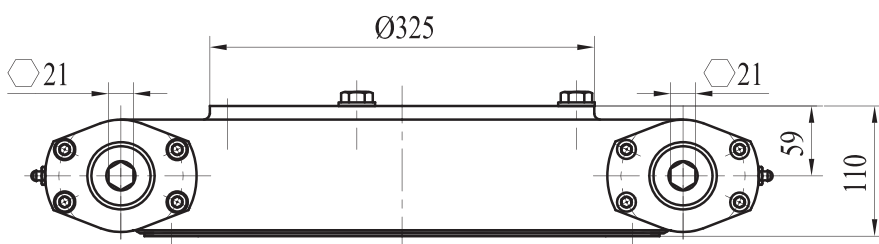
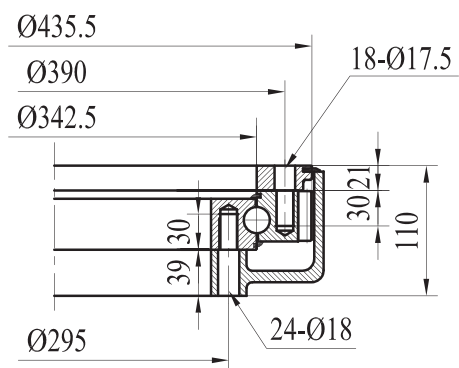
VIEW A OPTION

WITH HEX

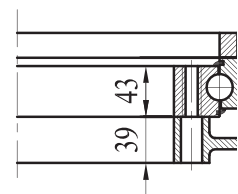


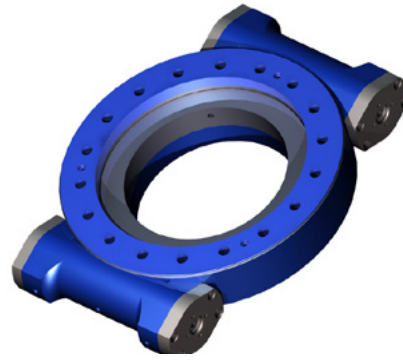
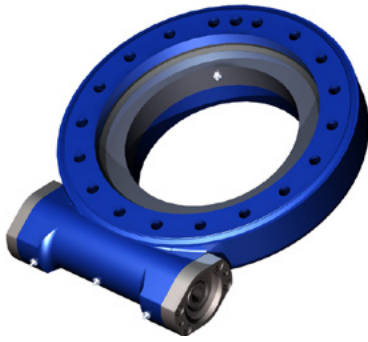
SECTION C

BLIND HOLE

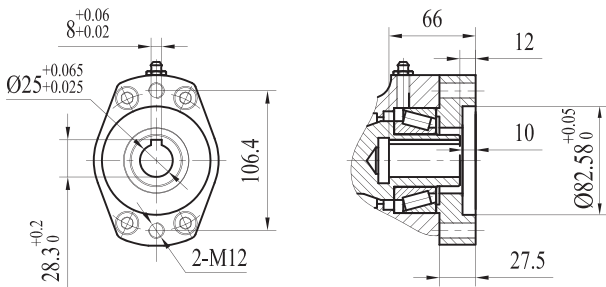


THRU HOLE



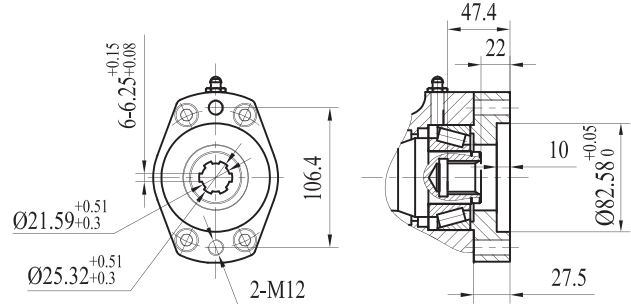


VIEW B OPTION



Ø12 Ø14 Ø16 Ø20 **Ø25**

□ NORMAL

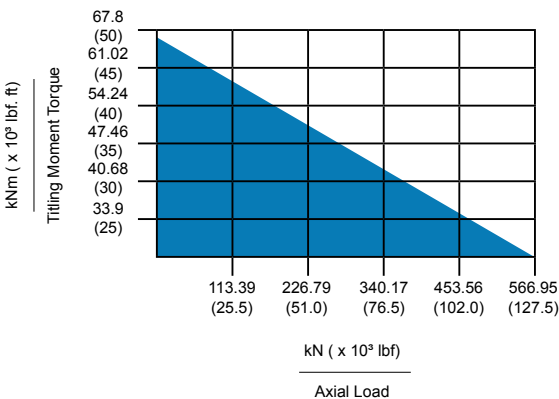


6B SPLINE

SE14A/PE14A/ZE14A - Worm Drive Performance Parameters

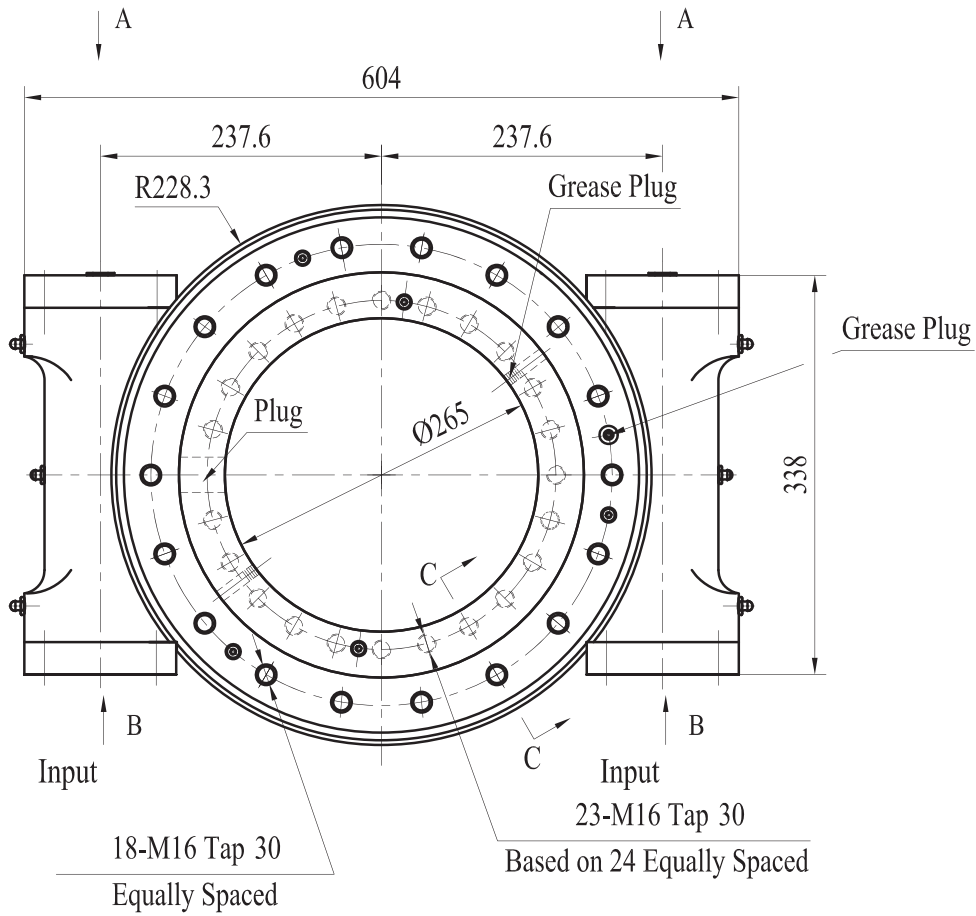
Model	Output Torque	Tilting Moment Torque	Holding Torque	Static Axial Rating	Static Radial Rating	Dynamic Axial Rating	Dynamic Radial Rating	Gear Ratio	Tracking Precision	Weight
SE14A	8kNm	67.8kNm	48kNm	555kN	222kN	133kN	117kN	85:1	≤0.17°	64kg
	5900lbf.ft	50 x 10 ³ lbf.ft	35 x 10 ³ lbf.ft	125 x 10 ³ lbf	50 x 10 ³ lbf	30 x 10 ³ lbf	26 x 10 ³ lbf			
PE14A	8kNm	67.8kNm	48kNm	555kN	222kN	133kN	117kN	85:1	I: ≤0.03° II: ≤0.05° III: ≤0.07° IV: ≤0.09°	64kg
	5900lbf.ft	50 x 10 ³ lbf.ft	35 x 10 ³ lbf.ft	125 x 10 ³ lbf	50 x 10 ³ lbf	30 x 10 ³ lbf	26 x 10 ³ lbf			
ZE14A	4.8kNm	67.8kNm	48kNm	555kN	222kN	133kN	117kN	85:1	0°	64kg
	3500lbf.ft	50 x 10 ³ lbf.ft	35 x 10 ³ lbf.ft	125 x 10 ³ lbf	50 x 10 ³ lbf	30 x 10 ³ lbf	26 x 10 ³ lbf			

SE14A/PE14A/ZE14A - Moment Load Chart



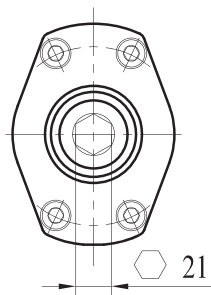
Notice: Please be sure to remain under this curve.

Units: mm
Weight: 76kg



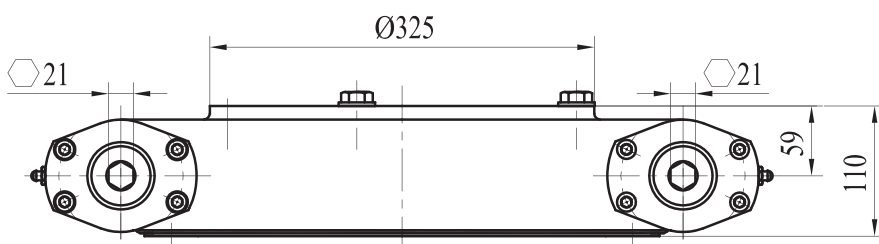
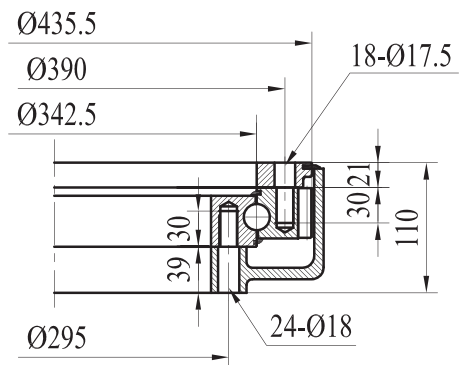
VIEW A OPTION

WITH HEX

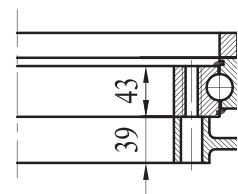


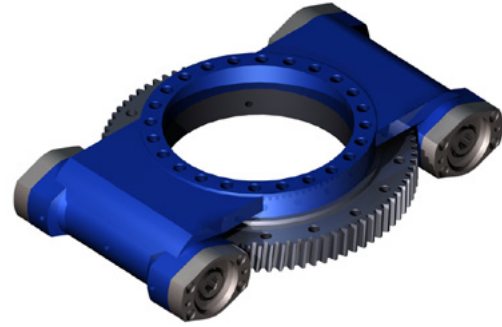
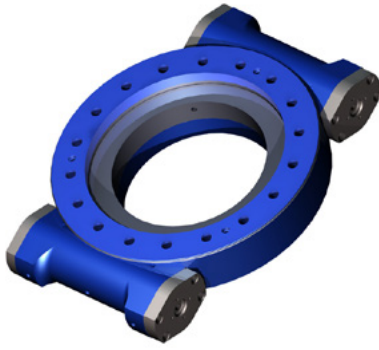
SECTION C

BLIND HOLE

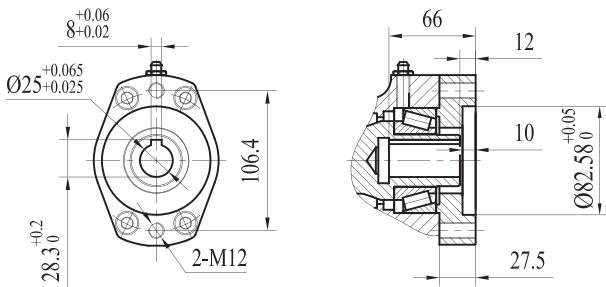


THRU HOLE



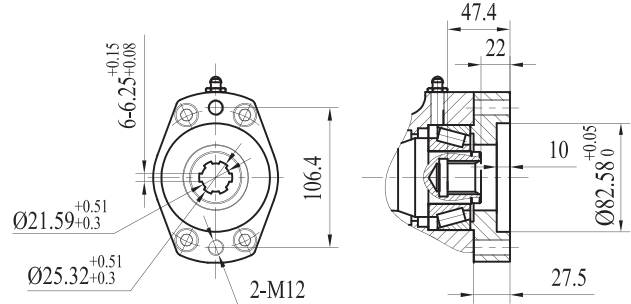


VIEW B OPTION



Ø12 Ø14 Ø16 Ø20 **Ø25**

□ NORMAL

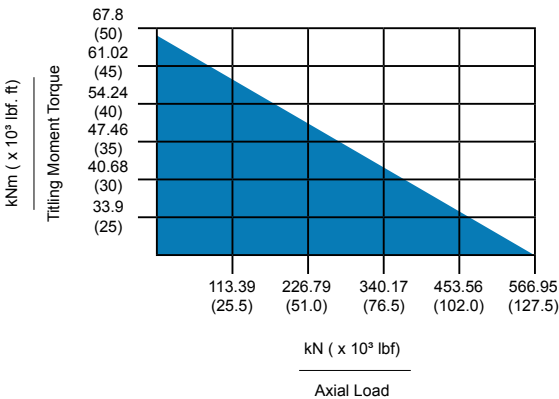


6B SPLINE

SE14-2/S14-2 - Worm Drive Performance Parameters

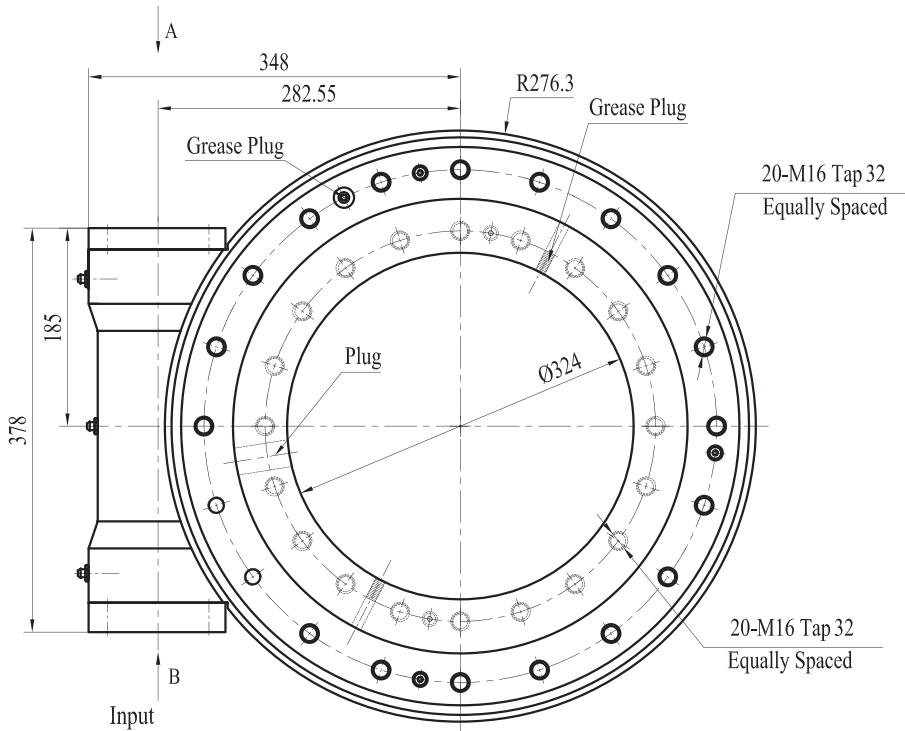
Model	Output Torque	Tilting Moment Torque	Holding Torque	Static Axial Rating	Static Radial Rating	Dynamic Axial Rating	Dynamic Radial Rating	Gear Ratio	Tracking Precision	Weight
SE14-2	12kNm	67.8kNm	48kNm	555kN	222kN	133kN	117kN	85:1	≤0.17°	76kg
	8851lbf.ft	50 x 10 ³ lbf.ft	35 x 10 ³ lbf.ft	125 x 10 ³ lbf	50 x 10 ³ lbf	30 x 10 ³ lbf	26 x 10 ³ lbf			
S14-2	8kNm	67.8kNm	48kNm	555kN	222kN	133kN	117kN	85:1	≤0.17°	76kg
	5900lbf.ft	50 x 10 ³ lbf.ft	35 x 10 ³ lbf.ft	125 x 10 ³ lbf	50 x 10 ³ lbf	30 x 10 ³ lbf	26 x 10 ³ lbf			

SE14-2/S14-2 - Moment Load Chart



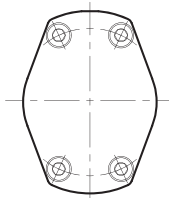
Notice: Please be sure to remain under this curve.

Units: mm
Weight: 105kg

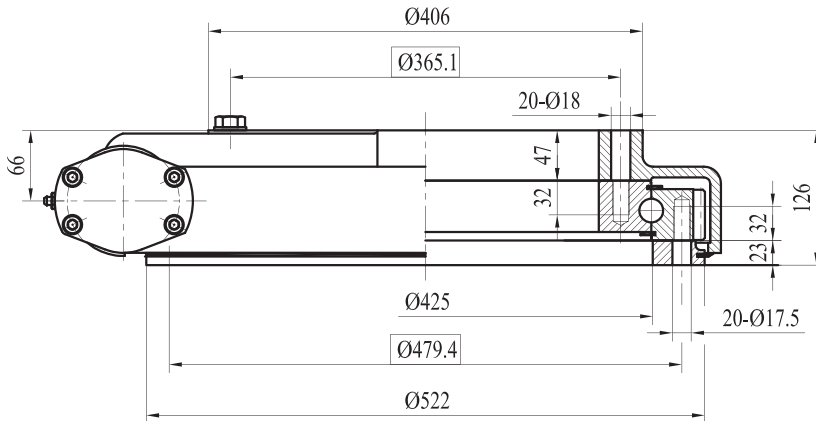
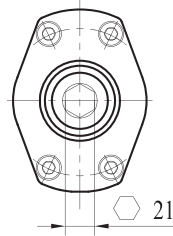


VIEW A OPTION

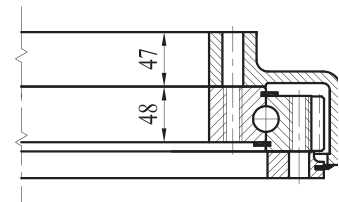
END CAP

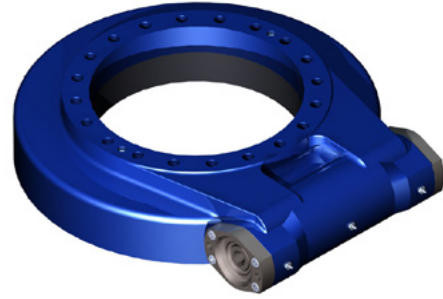
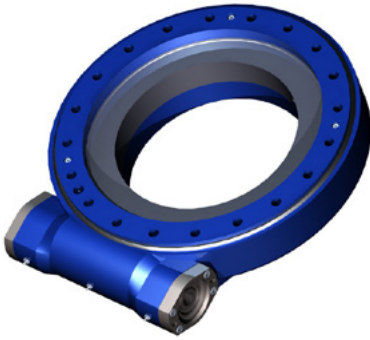


WITH HEX

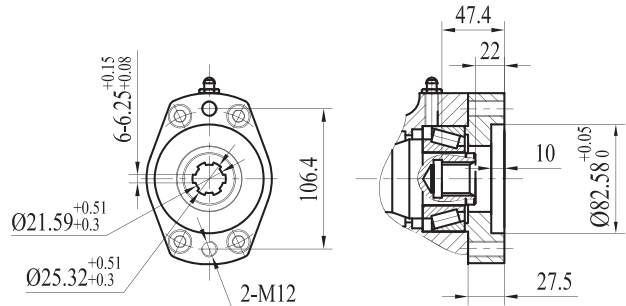
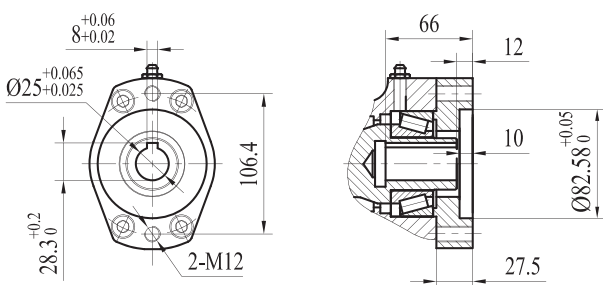


THRU HOLE OPTION





VIEW B OPTION



Ø12 Ø14 Ø16 Ø20 **Ø25**

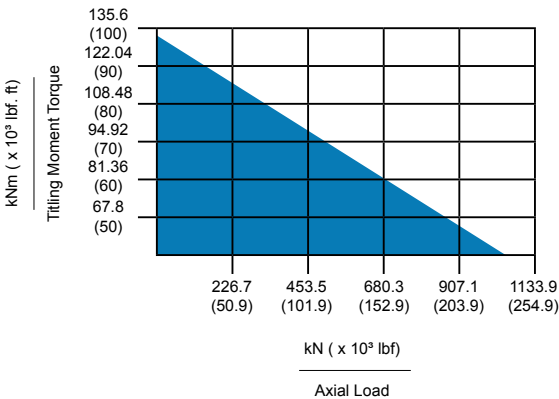
□ NORMAL

6B SPLINE

SE17A/PE17A - Worm Drive Performance Parameters

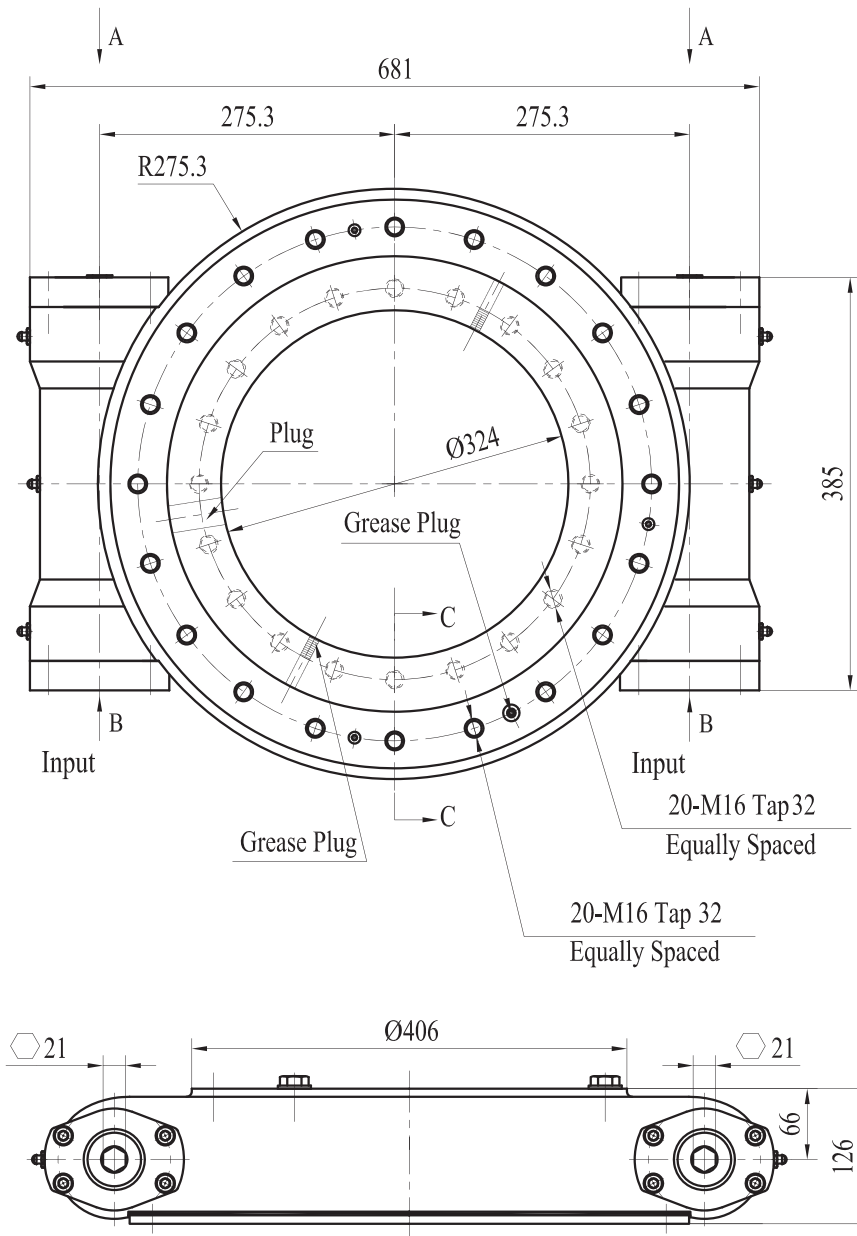
Model	Output Torque	Tilting Moment Torque	Holding Torque	Static Axial Rating	Static Radial Rating	Dynamic Axial Rating	Dynamic Radial Rating	Gear Ratio	Tracking Precision	Weight
SE17A	10kNm	135.6kNm	72.3kNm	970kN	390kN	235kN	205kN	102:1	≤0.15°	105kg
	7400lbf.ft	100 x 10 ³ lbf.ft	53 x 10 ³ lbf.ft	218 x 10 ³ lbf	88 x 10 ³ lbf	53 x 10 ³ lbf	46 x 10 ³ lbf			
PE17A	10kNm	135.6kNm	72.3kNm	970kN	390kN	235kN	205kN	102:1	≤0.15°	105kg
	7400lbf.ft	100 x 10 ³ lbf.ft	53 x 10 ³ lbf.ft	218 x 10 ³ lbf	88 x 10 ³ lbf	53 x 10 ³ lbf	46 x 10 ³ lbf			

SE17A/PE17A - Moment Load Chart



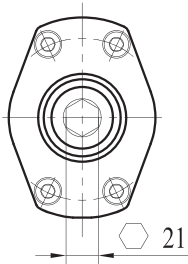
Notice: Please be sure to remain under this curve.

Units: mm
Weight: 119kg



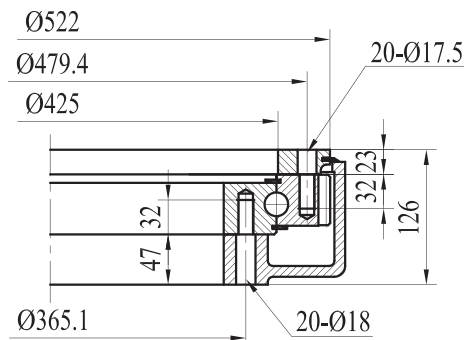
VIEW A OPTION

WITH HEX

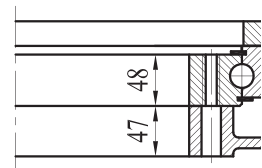


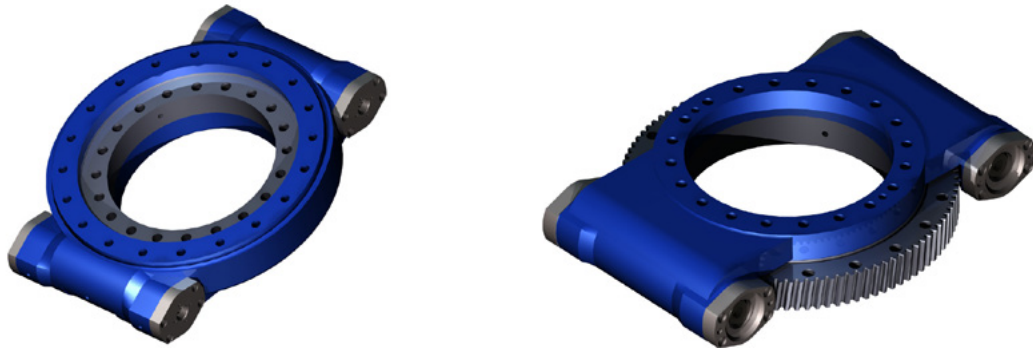
SECTION C

BLIND HOLE

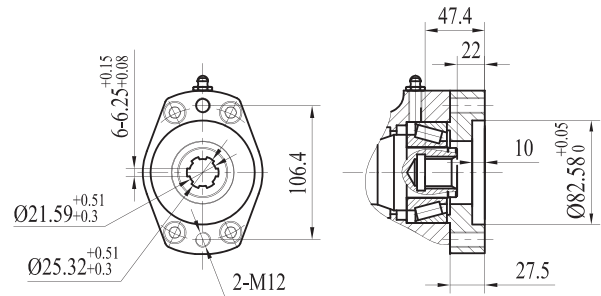
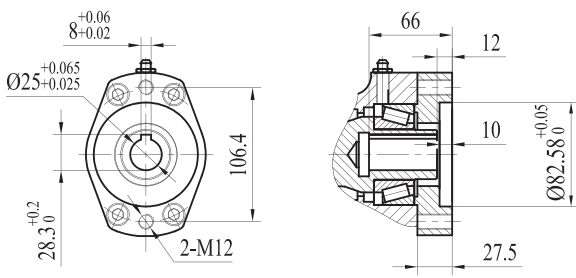


THRU HOLE





VIEW B OPTION



Ø12 Ø14 Ø16 Ø20 **Ø25**

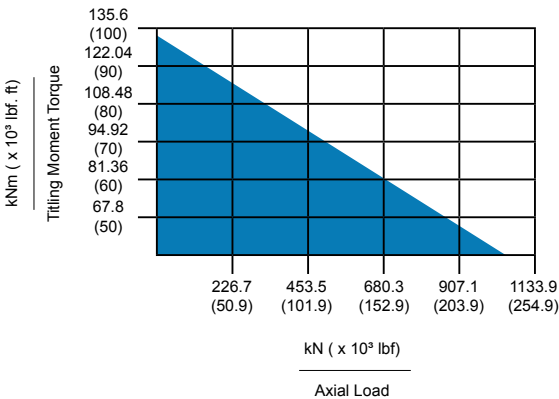
□ NORMAL

6B SPLINE

SE17A/PE17A - Worm Drive Performance Parameters

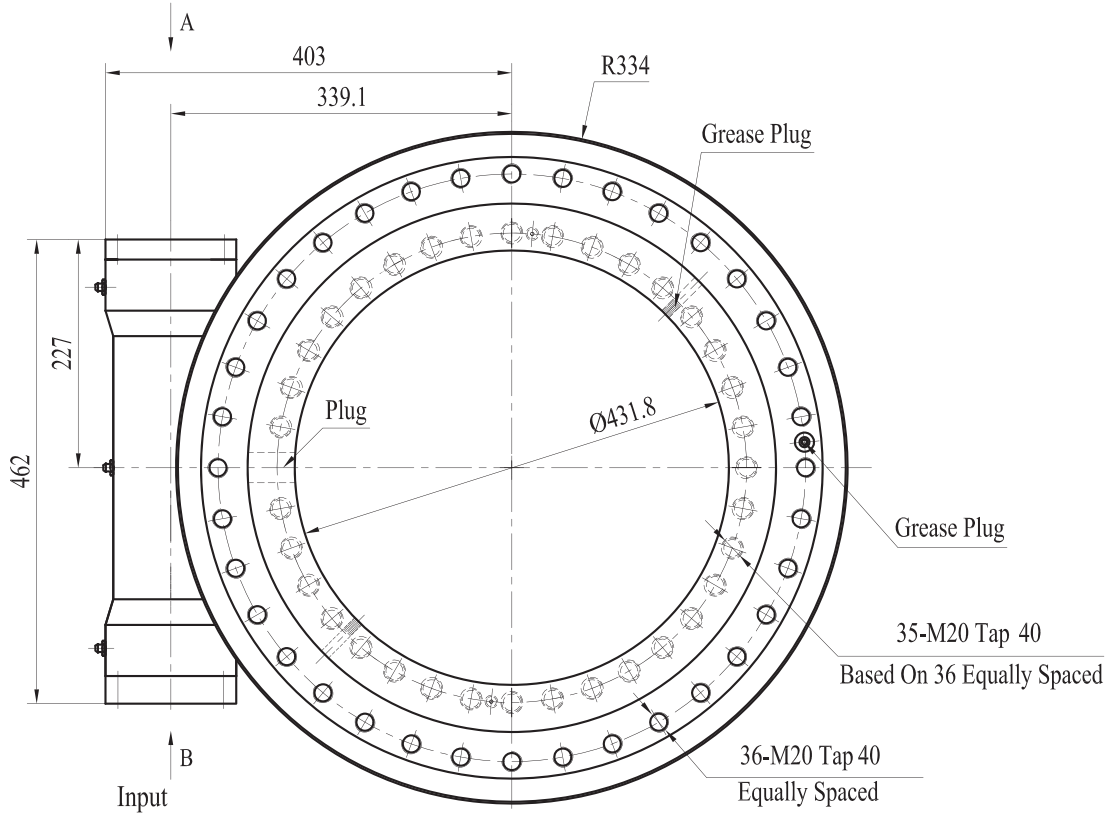
Model	Output Torque	Tilting Moment Torque	Holding Torque	Static Axial Rating	Static Radial Rating	Dynamic Axial Rating	Dynamic Radial Rating	Gear Ratio	Tracking Precision	Weight
SE17-2	16.8kNm	135.6kNm	72.3kNm	970kN	390kN	235kN	205kN	102:1	≤0.15°	119kg
	12391lbf.ft	100 x 10 ³ lbf.ft	53 x 10 ³ lbf.ft	218 x 10 ³ lbf	88 x 10 ³ lbf	53 x 10 ³ lbf	46 x 10 ³ lbf			
S17-2	10kNm	135.6kNm	72.3kNm	970kN	390kN	235kN	205kN	102:1	≤0.15°	102kg
	7400lbf.ft	100 x 10 ³ lbf.ft	53 x 10 ³ lbf.ft	218 x 10 ³ lbf	88 x 10 ³ lbf	53 x 10 ³ lbf	46 x 10 ³ lbf			

SE17A/PE17A - Moment Load Chart



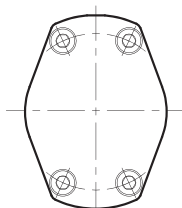
Notice: Please be sure to remain under this curve.

Units: mm
Weight: 149kg

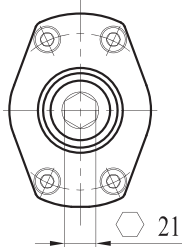


VIEW A OPTION

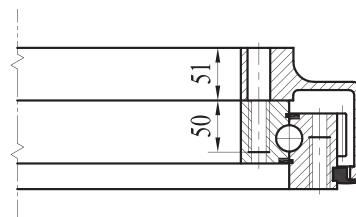
END CAP

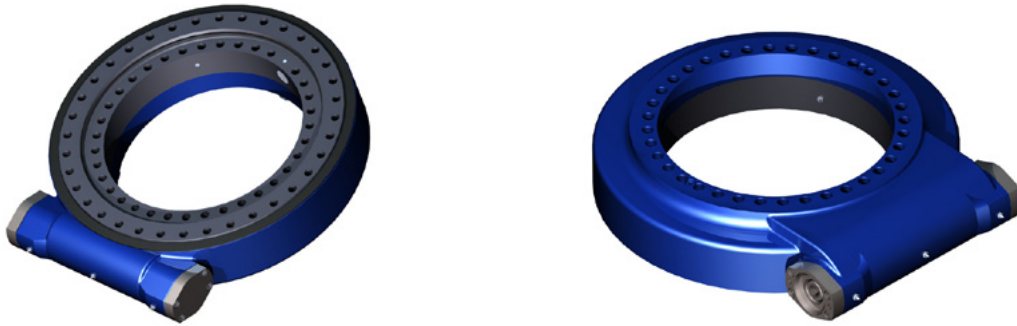


WITH HEX

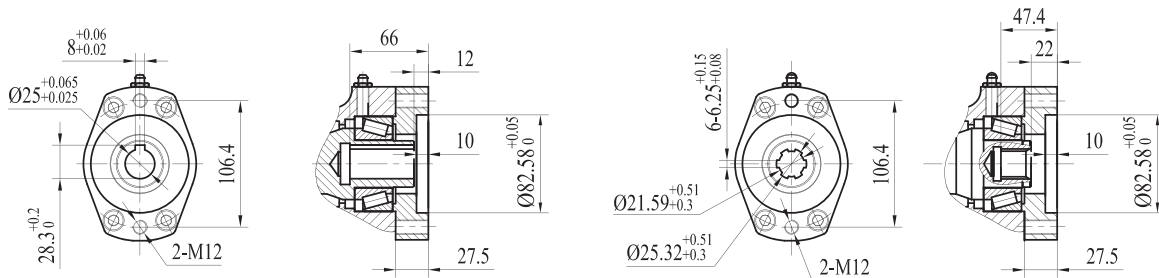


THRU HOLE OPTION





VIEW B OPTION



Ø12 Ø14 Ø16 Ø20 **Ø25**

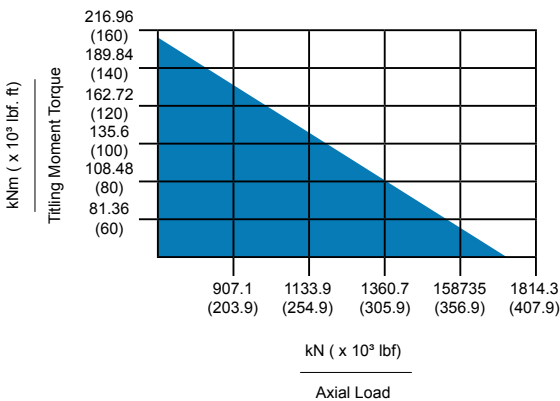
□ NORMAL

6B SPLINE

SE21/PE21 - Worm Drive Performance Parameters

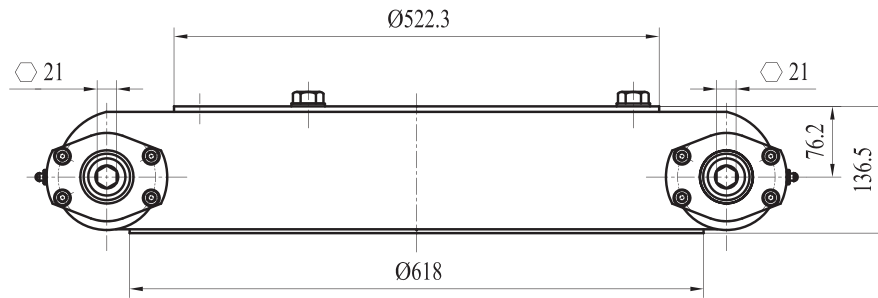
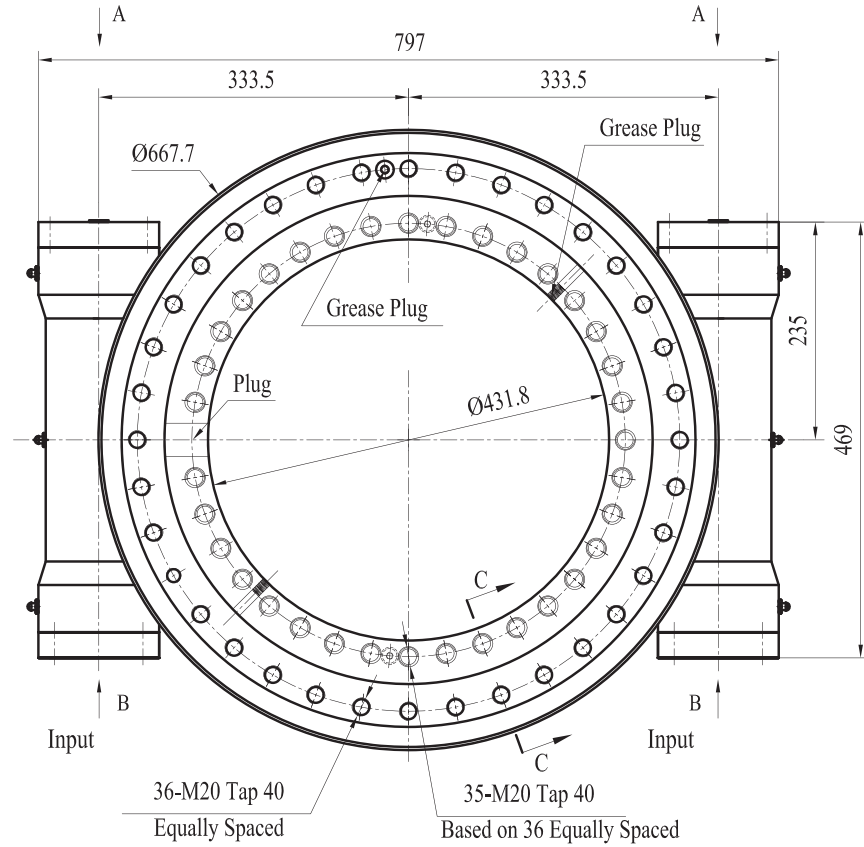
Model	Output Torque	Tilting Moment Torque	Holding Torque	Static Axial Rating	Static Radial Rating	Dynamic Axial Rating	Dynamic Radial Rating	Gear Ratio	Tracking Precision	Weight
SE21	15kNm	203kNm	105.8kNm	1598kN	640kN	385kN	335kN	125:1	≤0.15°	149kg
	11000lbf.ft	150 x 10 ³ lbf.ft	78 x 10 ³ lbf.ft	359 x 10 ³ lbf	144 x 10 ³ lbf	87 x 10 ³ lbf	75 x 10 ³ lbf			
PE21	15kNm	203kNm	105.8kNm	1598kN	640kN	385kN	335kN	125:1	≤0.15°	149kg
	11000lbf.ft	150 x 10 ³ lbf.ft	78 x 10 ³ lbf.ft	359 x 10 ³ lbf	144 x 10 ³ lbf	87 x 10 ³ lbf	75 x 10 ³ lbf			

SE21/PE21 - Moment Load Chart

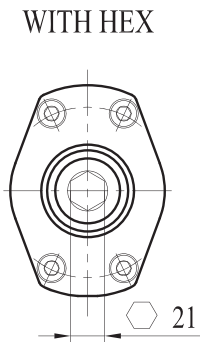


Notice: Please be sure to remain under this curve.

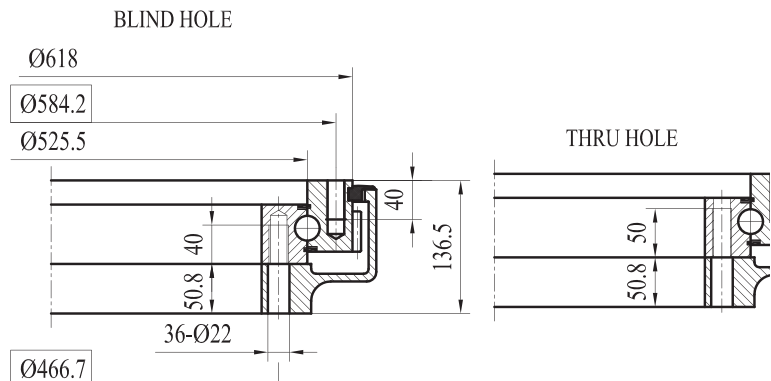
Units: mm
Weight: 161kg

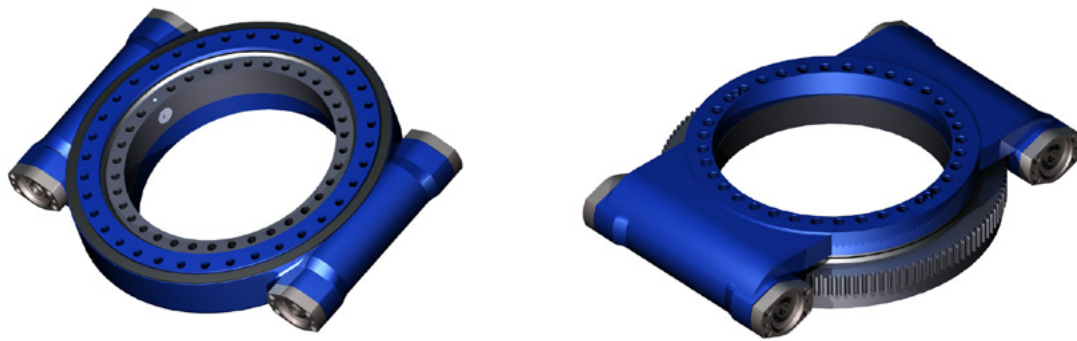


VIEW A OPTION

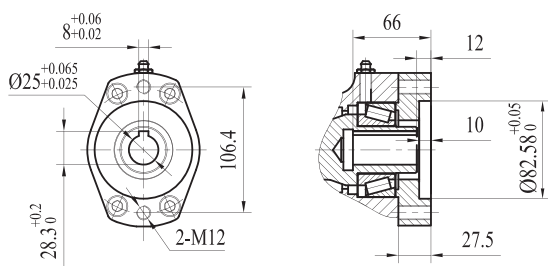


SECTION C



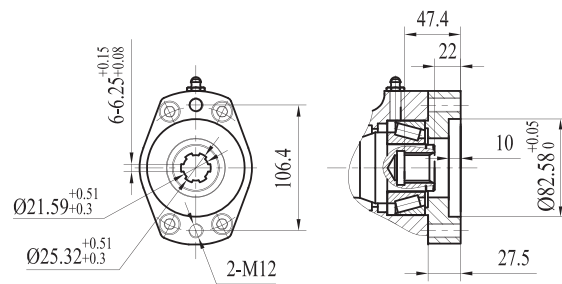


VIEW B OPTION



Ø12 Ø14 Ø16 Ø20 **Ø25**

□ NORMAL

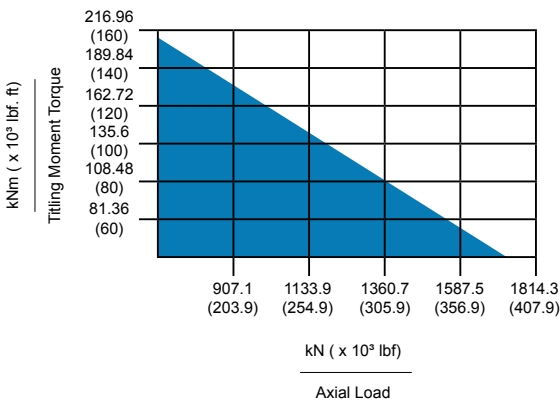


6B SPLINE

SE21-2/S21-2 - Worm Drive Performance Parameters

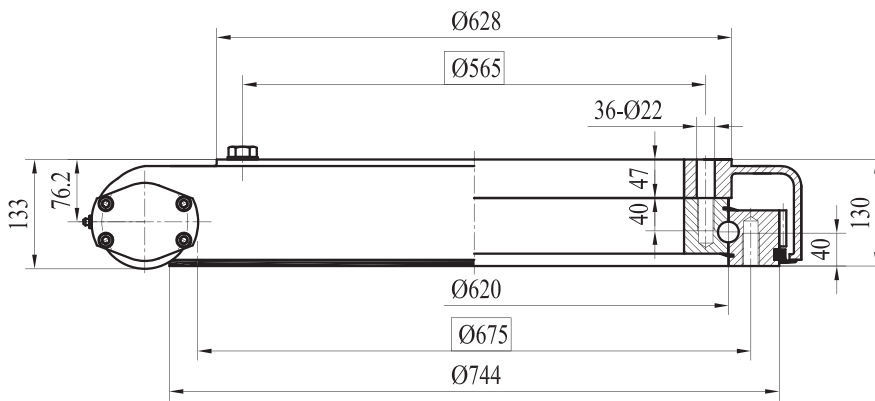
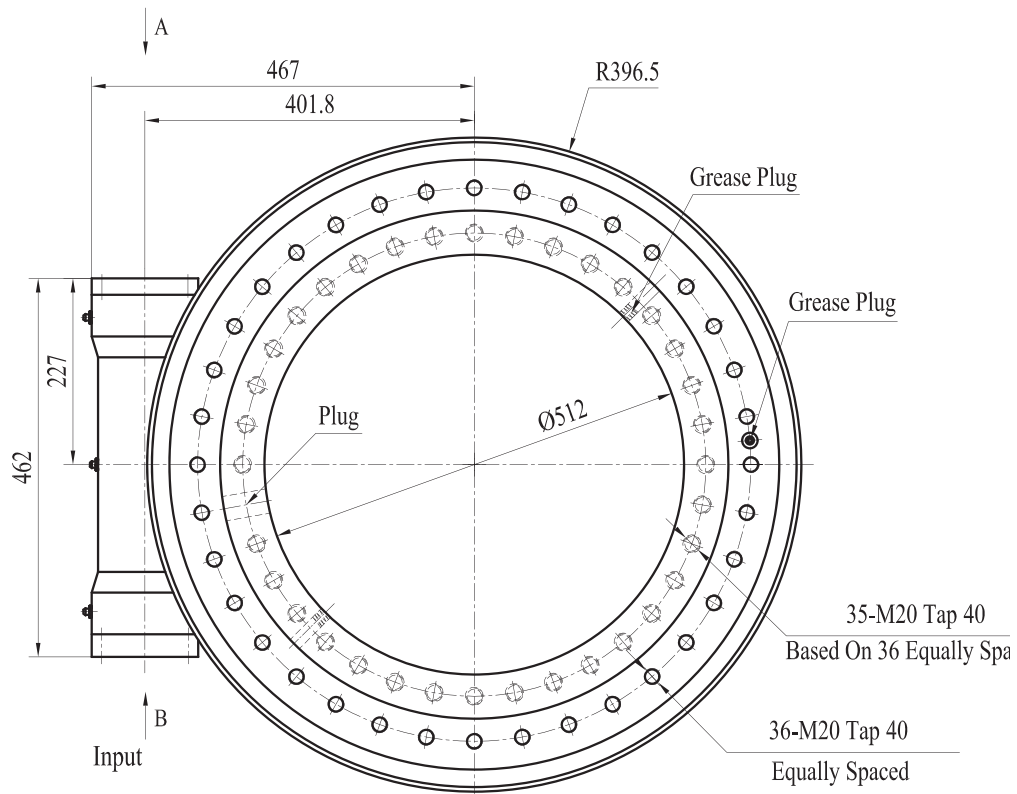
Model	Output Torque	Tilting Moment Torque	Holding Torque	Static Axial Rating	Static Radial Rating	Dynamic Axial Rating	Dynamic Radial Rating	Gear Ratio	Tracking Precision	Weight
SE21-2	20.6kNm	203kNm	105.8kNm	1598kN	640kN	385kN	335kN	125:1	≤0.15°	149kg
	15194lbf.ft	150 x 10 ³ lbf.ft	78 x 10 ³ lbf.ft	359 x 10 ³ lbf	144 x 10 ³ lbf	87 x 10 ³ lbf	75 x 10 ³ lbf			
S21-2	20.6kNm	203kNm	105.8kNm	1598kN	640kN	385kN	335kN	125:1	≤0.15°	149kg
	15194lbf.ft	150 x 10 ³ lbf.ft	78 x 10 ³ lbf.ft	359 x 10 ³ lbf	144 x 10 ³ lbf	87 x 10 ³ lbf	75 x 10 ³ lbf			

SE21-2/S21-2 - Moment Load Chart



Notice: Please be sure to remain under this curve.

Units: mm
Weight: 204kg

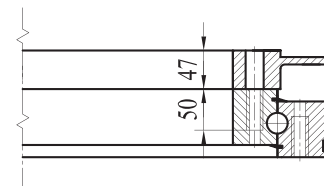
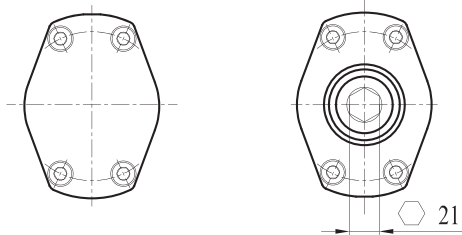


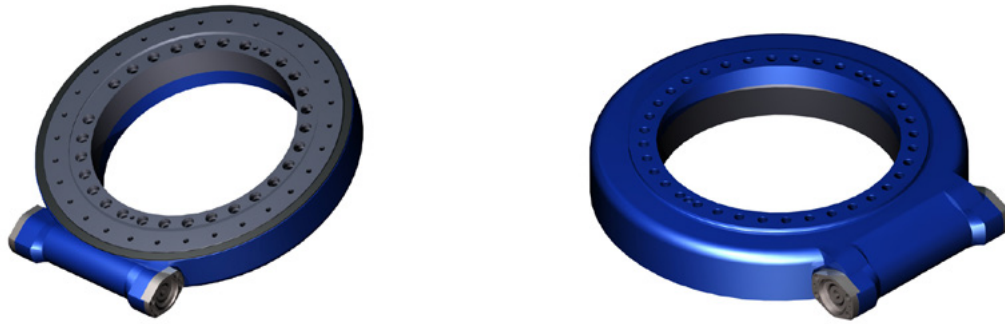
VIEW A OPTION

THRU HOLE OPTION

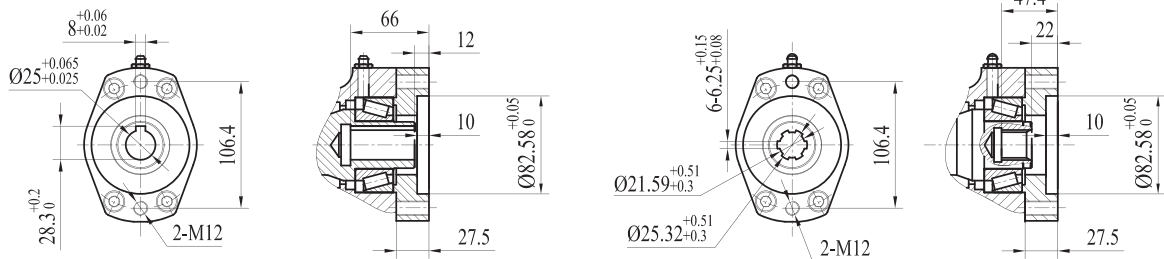
END CAP

WITH HEX





VIEW B OPTION



□ Ø12 □ Ø14 □ Ø16 □ Ø20 □ **Ø25**

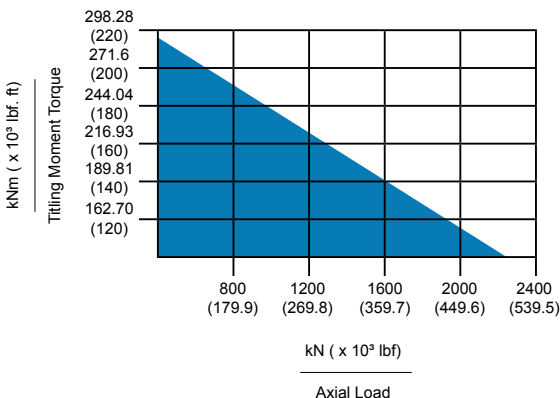
□ NORMAL

6B SPLINE

SE25/PE25 - Worm Drive Performance Parameters

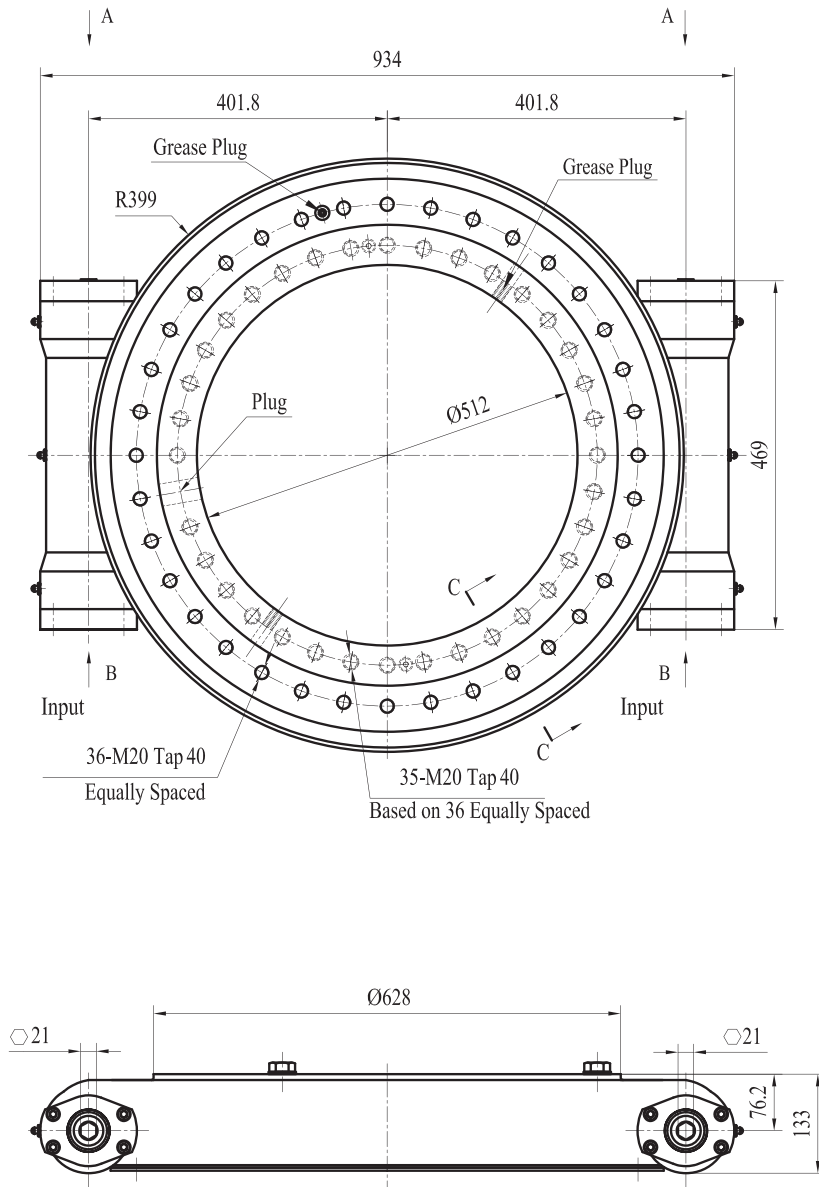
Model	Output Torque	Tilting Moment Torque	Holding Torque	Static Axial Rating	Static Radial Rating	Dynamic Axial Rating	Dynamic Radial Rating	Gear Ratio	Tracking Precision	Weight
SE25	18kNm	271kNm	158.3kNm	2360kN	945kN	590kN	470kN	150:1	≤0.15°	204kg
	13300lbf.ft	200 x 10 ³ lbf.ft	117 x 10 ³ lbf.ft	531 x 10 ³ lbf	212 x 10 ³ lbf	133 x 10 ³ lbf	106 x 10 ³ lbf			
PE25	18kNm	271kNm	158.3kNm	2360kN	945kN	590kN	470kN	150:1	I: ≤0.03° II: ≤0.05° III: ≤0.07° IV: ≤0.09°	204kg
	13300lbf.ft	200 x 10 ³ lbf.ft	117 x 10 ³ lbf.ft	531 x 10 ³ lbf	212 x 10 ³ lbf	133 x 10 ³ lbf	106 x 10 ³ lbf			

SE25/PE25 - Moment Load Chart

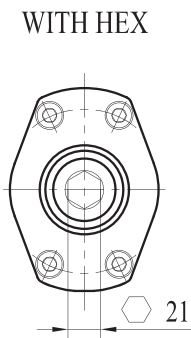


Notice: Please be sure to remain under this curve.

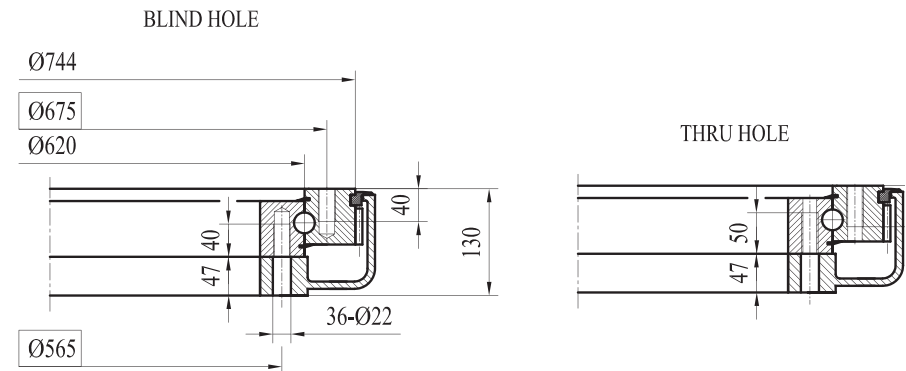
Units: mm
Weight: 222kg

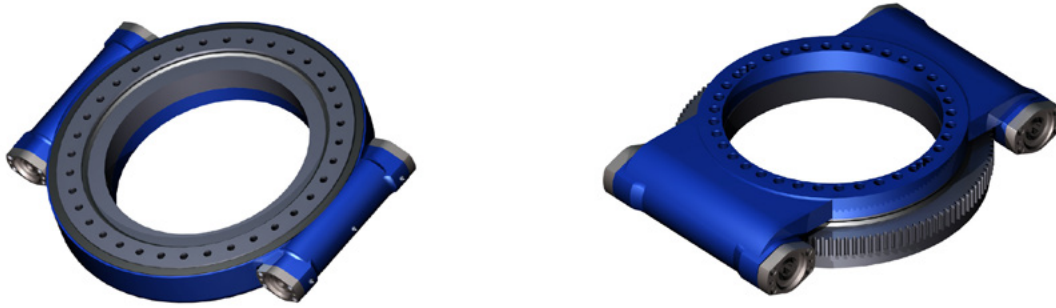


VIEW A OPTION

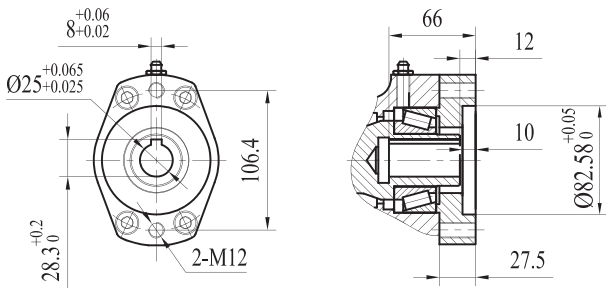


SECTION C



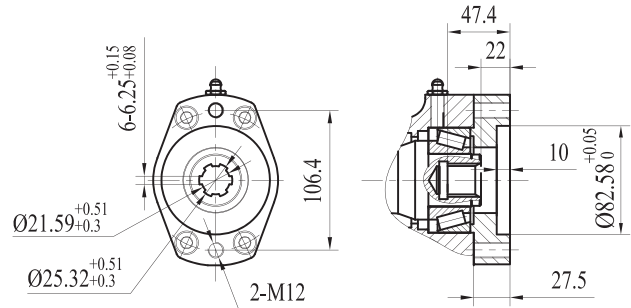


VIEW B OPTION



Ø12 Ø14 Ø16 Ø20 **Ø25**

□ NORMAL

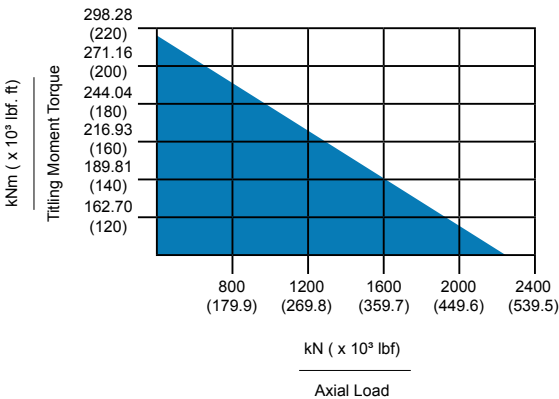


6B SPLINE

SE25-2/S25-2 - Worm Drive Performance Parameters

Model	Output Torque	Tilting Moment Torque	Holding Torque	Static Axial Rating	Static Radial Rating	Dynamic Axial Rating	Dynamic Radial Rating	Gear Ratio	Tracking Precision	Weight
SE25-2	28kNm	271kNm	158.3kNm	2360kN	945kN	590kN	470kN	150:1	≤0.15°	222kg
	20652lbf.ft	200 x 10 ³ lbf.ft	117 x 10 ³ lbf.ft	531 x 10 ³ lbf	212 x 10 ³ lbf	133 x 10 ³ lbf	106 x 10 ³ lbf			
S25-2	28kNm	271kNm	158.3kNm	2360kN	945kN	590kN	470kN	150:1	≤0.15°	204kg
	20652lbf.ft	200 x 10 ³ lbf.ft	117 x 10 ³ lbf.ft	531 x 10 ³ lbf	212 x 10 ³ lbf	133 x 10 ³ lbf	106 x 10 ³ lbf			

SE25-2/S25-2 - Moment Load Chart



Notice: Please be sure to remain under this curve.

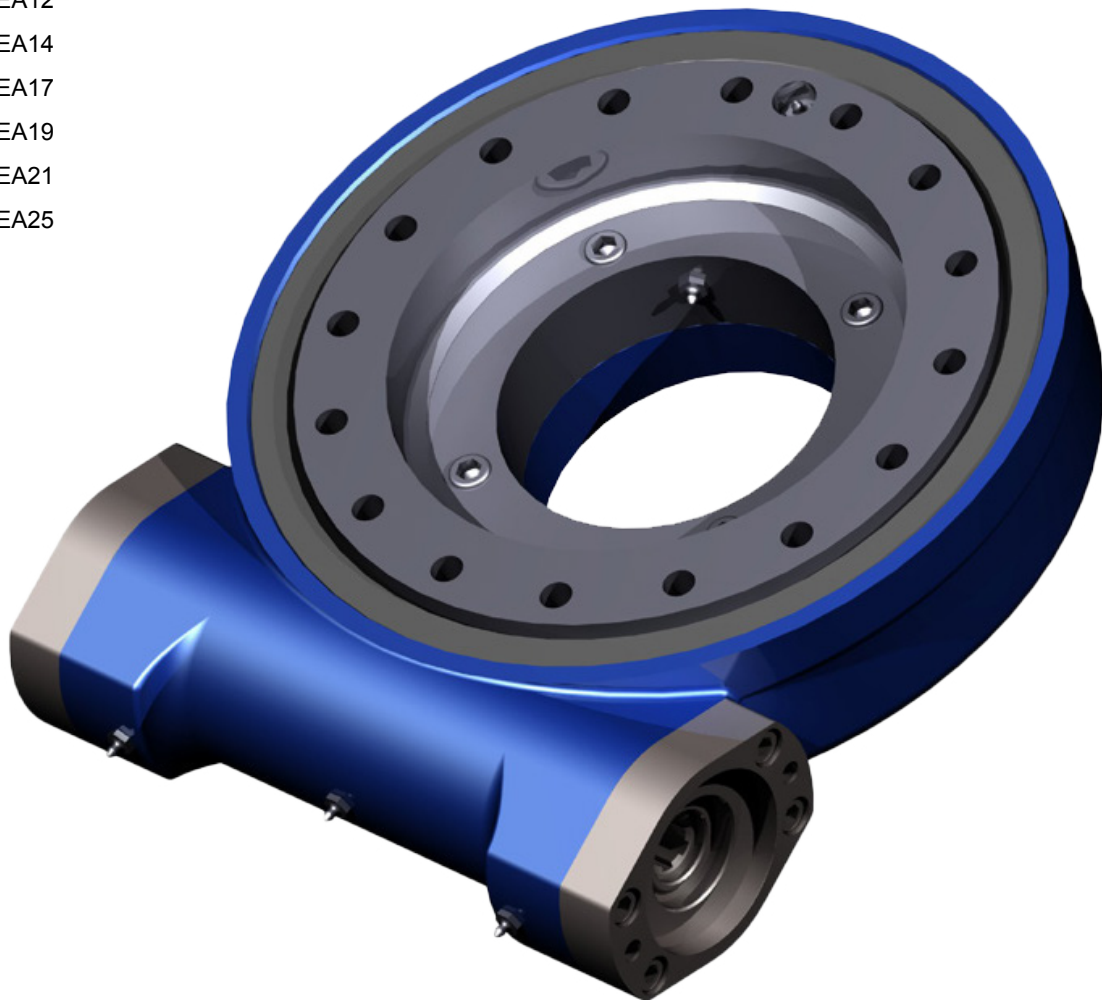
WEA Series

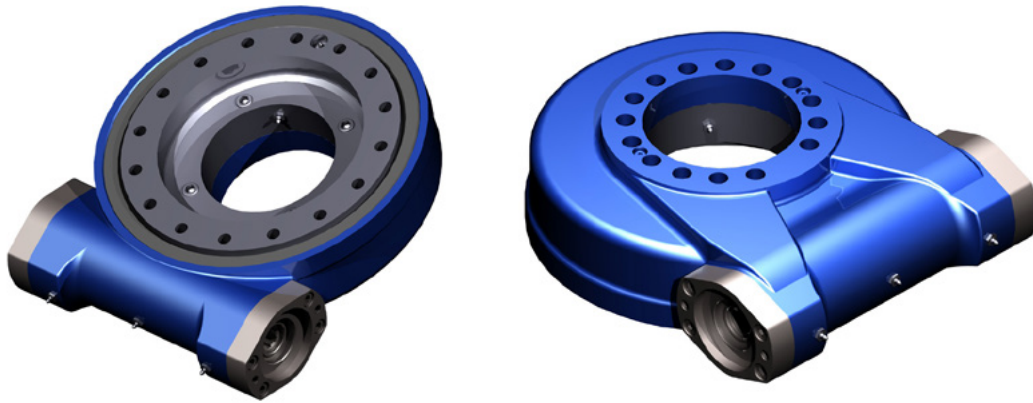
The WEA (Worm Enclosed Advanced) Series combines robust construction with enclosed gearing for superior protection and performance. Designed to withstand harsh environments, the WEA Series offers excellent durability and longevity by shielding against dust, moisture, and debris. This series ensures efficient, reliable operation, making it perfect for heavy-duty applications where consistent performance is crucial.

The key advantages of worm drives include their high reduction ratios, compact size, quiet operation, and the ability to provide a self-locking feature, which makes them suitable for applications where backdriving (reversing the direction of power flow) needs to be prevented.

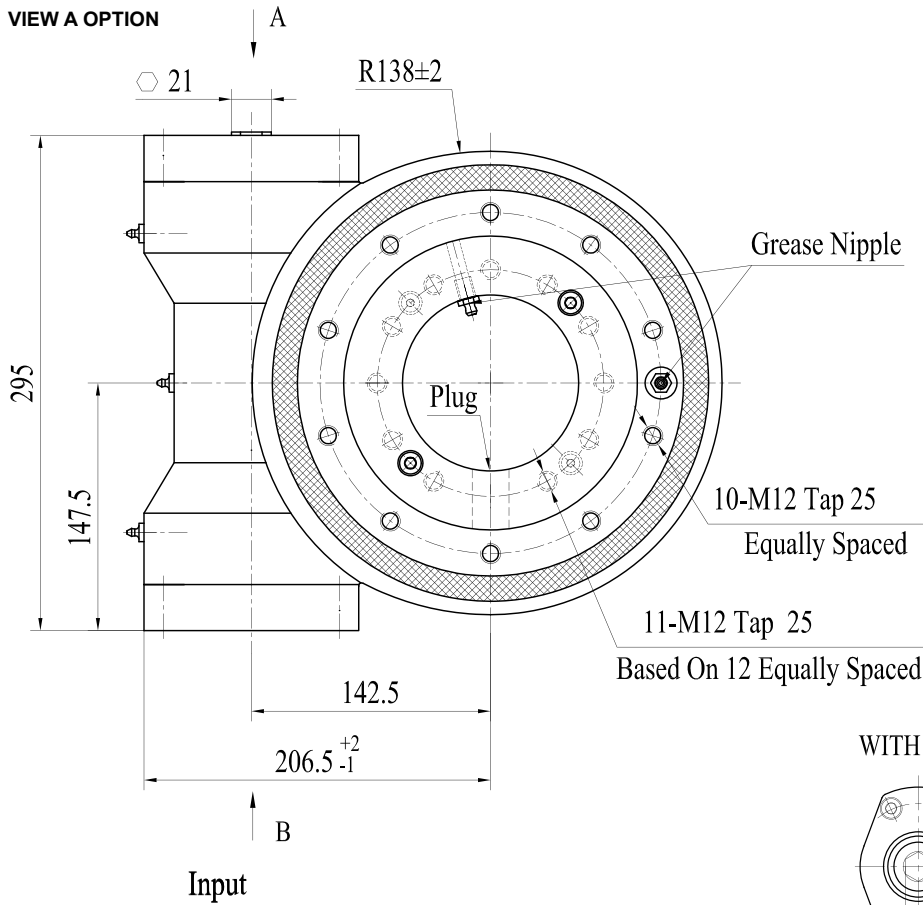
Our range

- ▶ WEA7
- ▶ WEA9
- ▶ WEA12
- ▶ WEA14
- ▶ WEA17
- ▶ WEA19
- ▶ WEA21
- ▶ WEA25

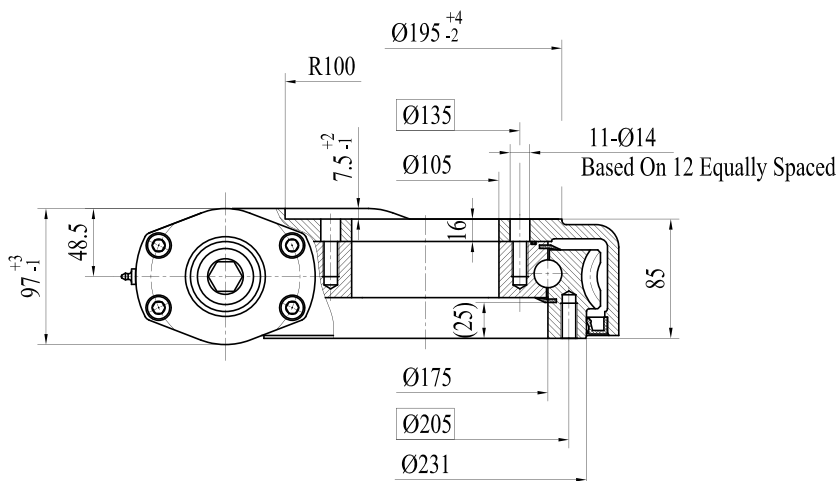
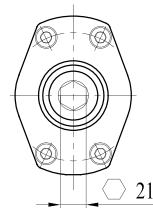




VIEW A OPTION

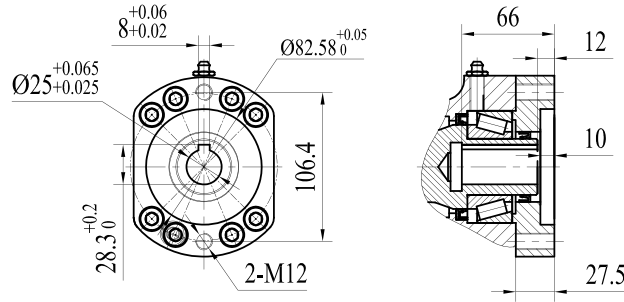


WITH HEX



UNITS: mm
1 inch = 25.4 mm

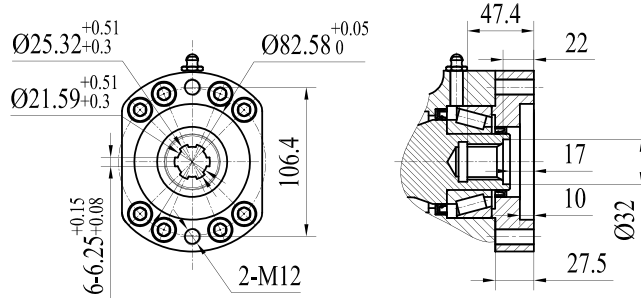
VIEW B OPTION



Ø12 Ø14 Ø16 Ø20 Ø25

NORMAL

UNITS: mm
1 inch = 25.4 mm

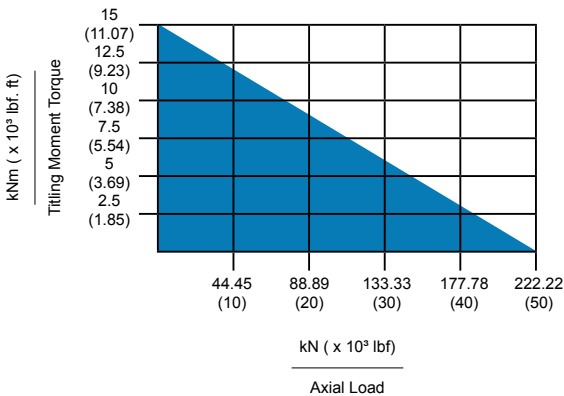


6B SPLINE

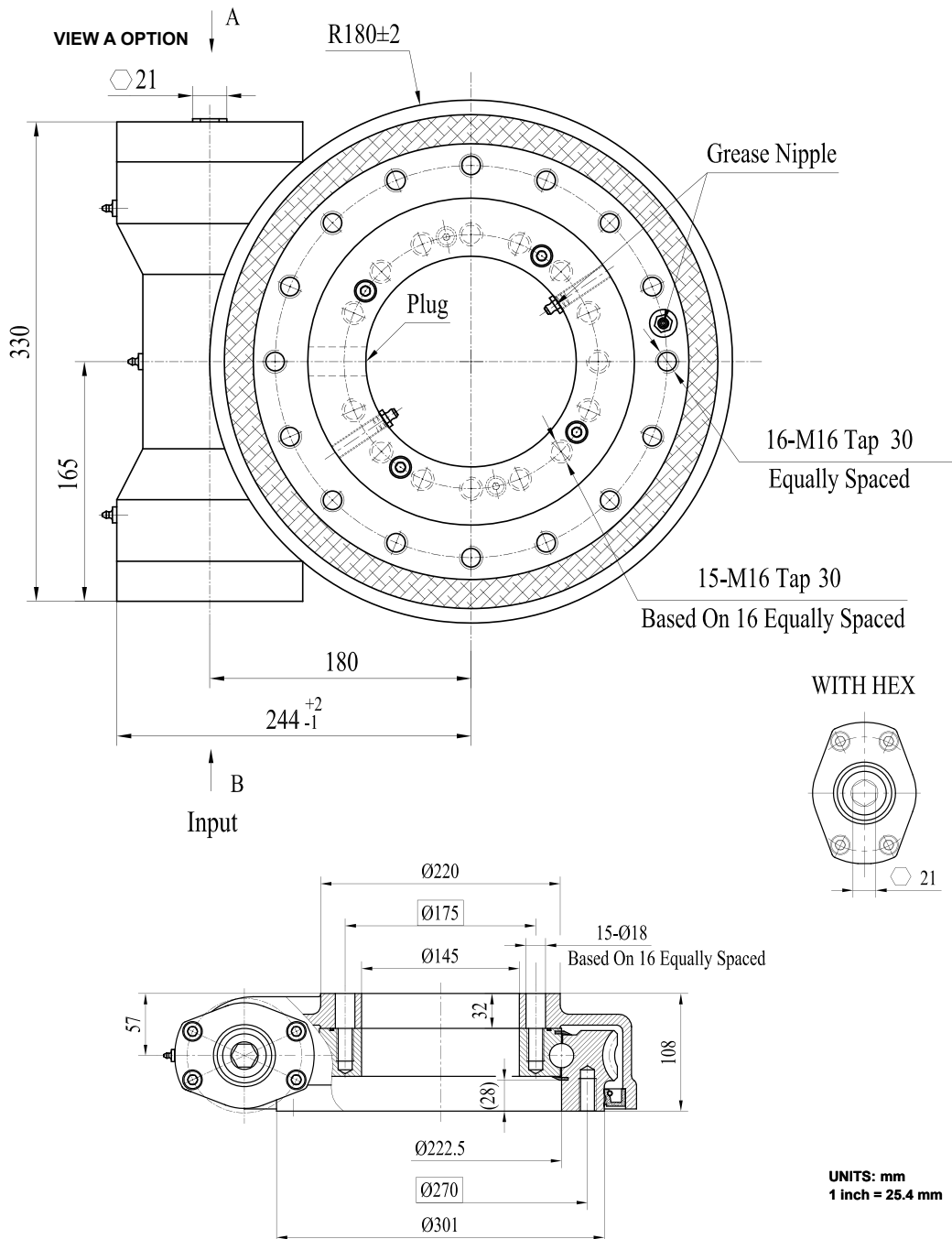
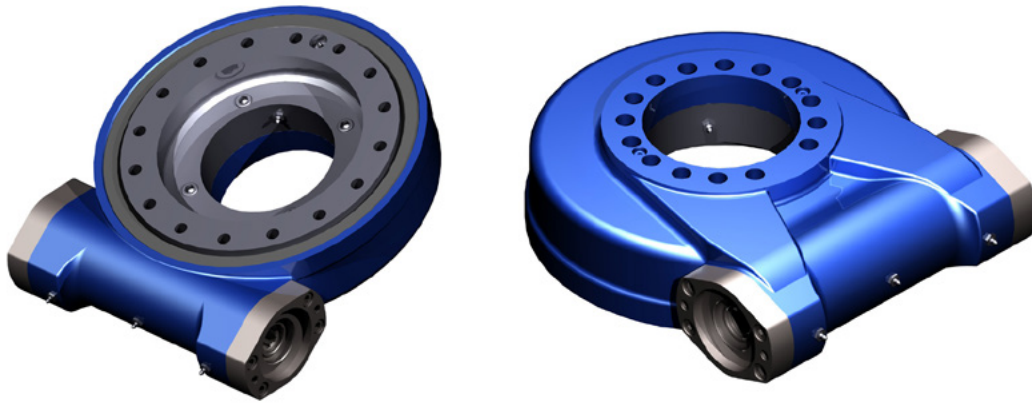
WEA7 - Worm Drive Performance Parameters

Output Torque	Tilting Moment Torque	Holding Torque	Static Axial Rating	Static Radial Rating	Dynamic Axial Rating	Dynamic Radial Rating	Gear Ratio	Tracking Precision	Weight
3.5 kN.m	14.2 kN.m	20 kN.m	220 kN	90 kN	63 kN	48 kN	47:1	≤ 0.15o	35kg
2583 lbf.ft	10.5 x 10 ³ lbf.ft	14.8 x 10 ³ lbf.ft	49.5 x 10 ³ lbf	20.2 x 10 ³ lbf	14.2 x 10 ³ lbf	10.8 x 10 ³ lbf			

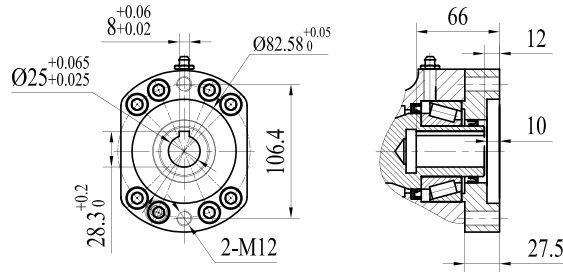
WEA7 - Moment Load Chart



Notice: Please be sure to remain under this curve.



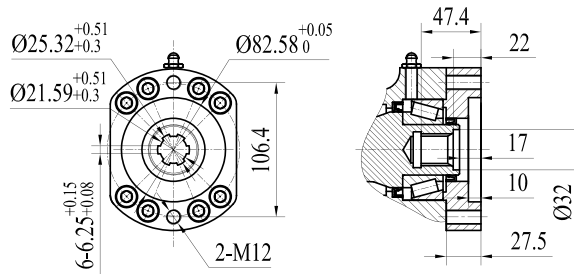
VIEW B OPTION



Ø12 Ø14 Ø16 Ø20 **Ø25**

□ NORMAL

UNITS: mm
1 inch = 25.4 mm

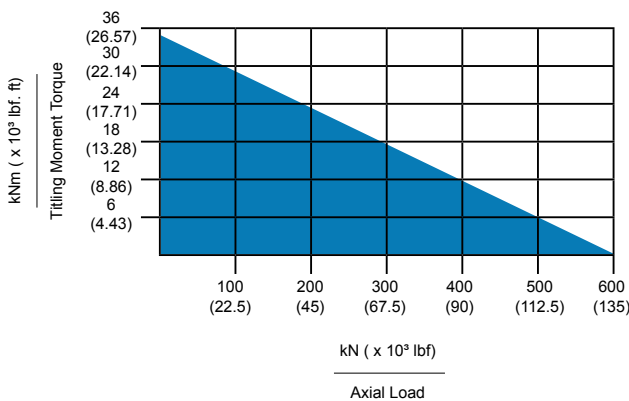


6B SPLINE

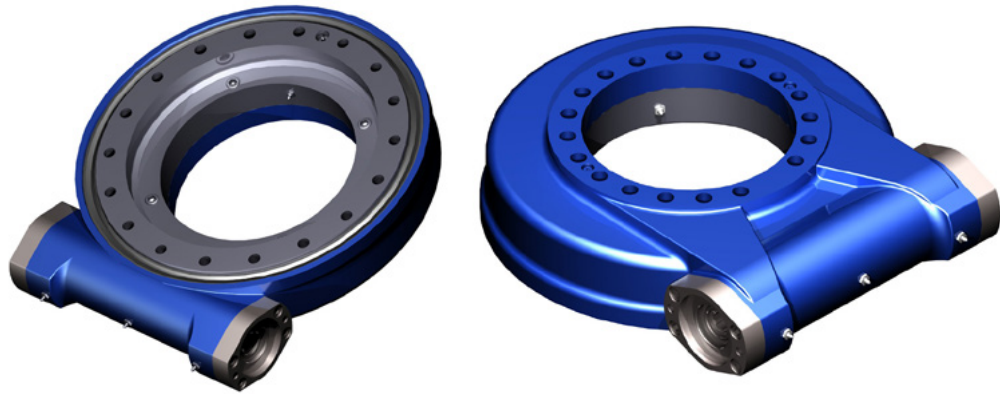
WEA9 - Worm Drive Performance Parameters

Output Torque	Tilting Moment Torque	Holding Torque	Static Axial Rating	Static Radial Rating	Dynamic Axial Rating	Dynamic Radial Rating	Gear Ratio	Tracking Precision	Weight
8 kN.m	35.6 kN.m	38.7 kN.m	578 kN	215 kN	136 kN	115 kN	62:1	≤ 0.15o	53kg
5904 lbf.ft	26.3 x 10 ³ lbf.ft	29 x 10 ³ lbf.ft	129.9 x 10 ³ lbf	48.3 x 10 ³ lbf	30.6 x 10 ³ lbf	25.9 x 10 ³ lbf			

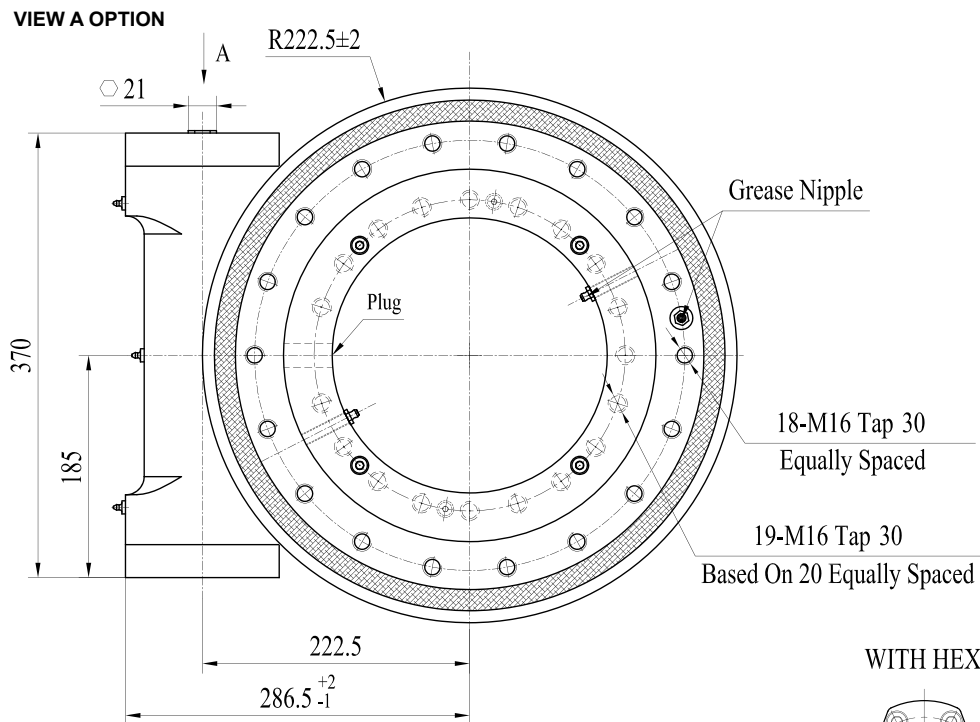
WEA9 - Moment Load Chart



Notice: Please be sure to remain under this curve.

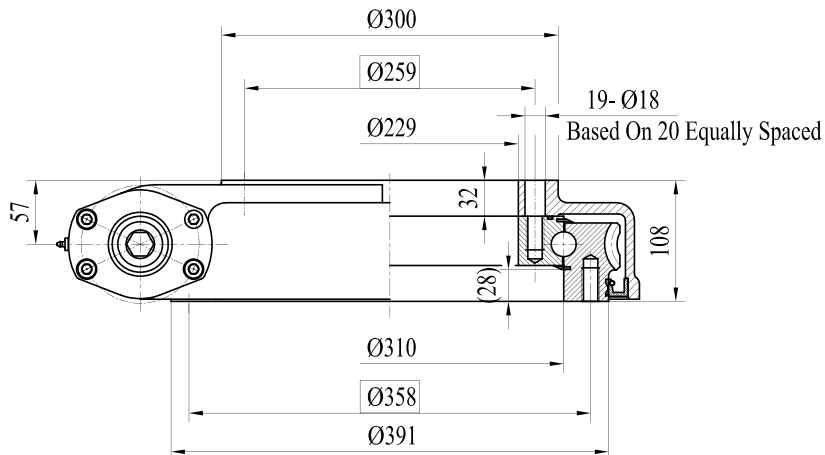
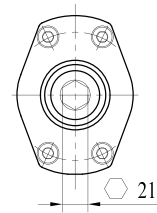


VIEW A OPTION



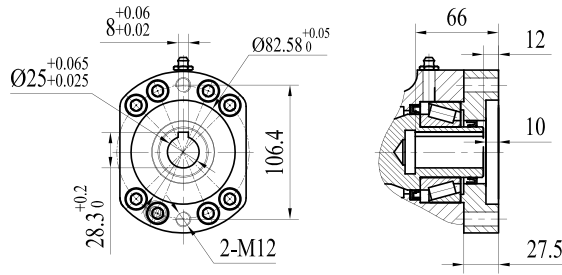
B
Input

WITH HEX



UNITS: mm
1 inch = 25.4 mm

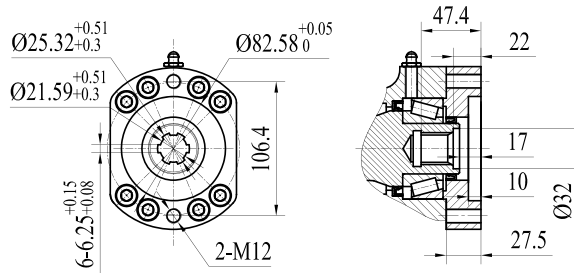
VIEW B OPTION



□ **Ø12** **Ø14** **Ø16** **Ø20** **Ø25**

□ NORMAL

UNITS: mm
1 inch = 25.4 mm

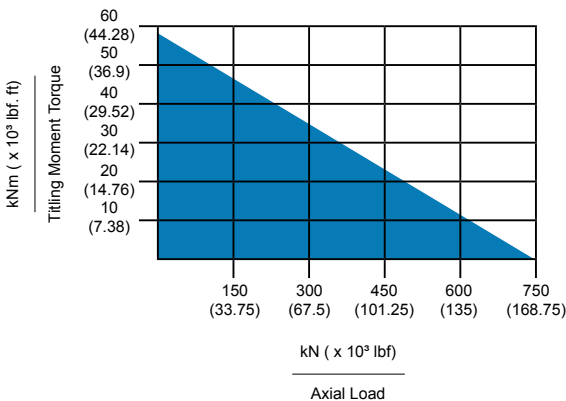


6B SPLINE

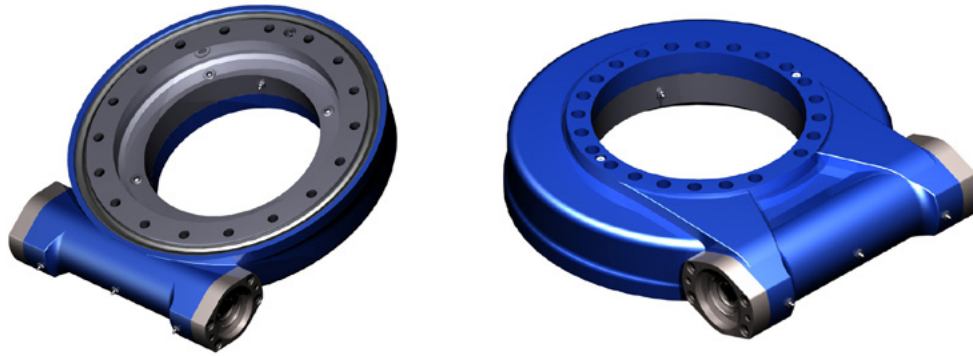
WEA12 - Worm Drive Performance Parameters

Output Torque	Tilting Moment Torque	Holding Torque	Static Axial Rating	Static Radial Rating	Dynamic Axial Rating	Dynamic Radial Rating	Gear Ratio	Tracking Precision	Weight
9.5 kN.m	57 kN.m	43 kN.m	760 kN	280 kN	190 kN	148 kN	79:1	≤ 0.15o	66.8kg
7011 lbf.ft	42.1 x 10 ³ lbf.ft	32 x 10 ³ lbf.ft	171.1 x 10 ³ lbf	62.9 x 10 ³ lbf	42.7 x 10 ³ lbf	33.3 x 10 ³ lbf			

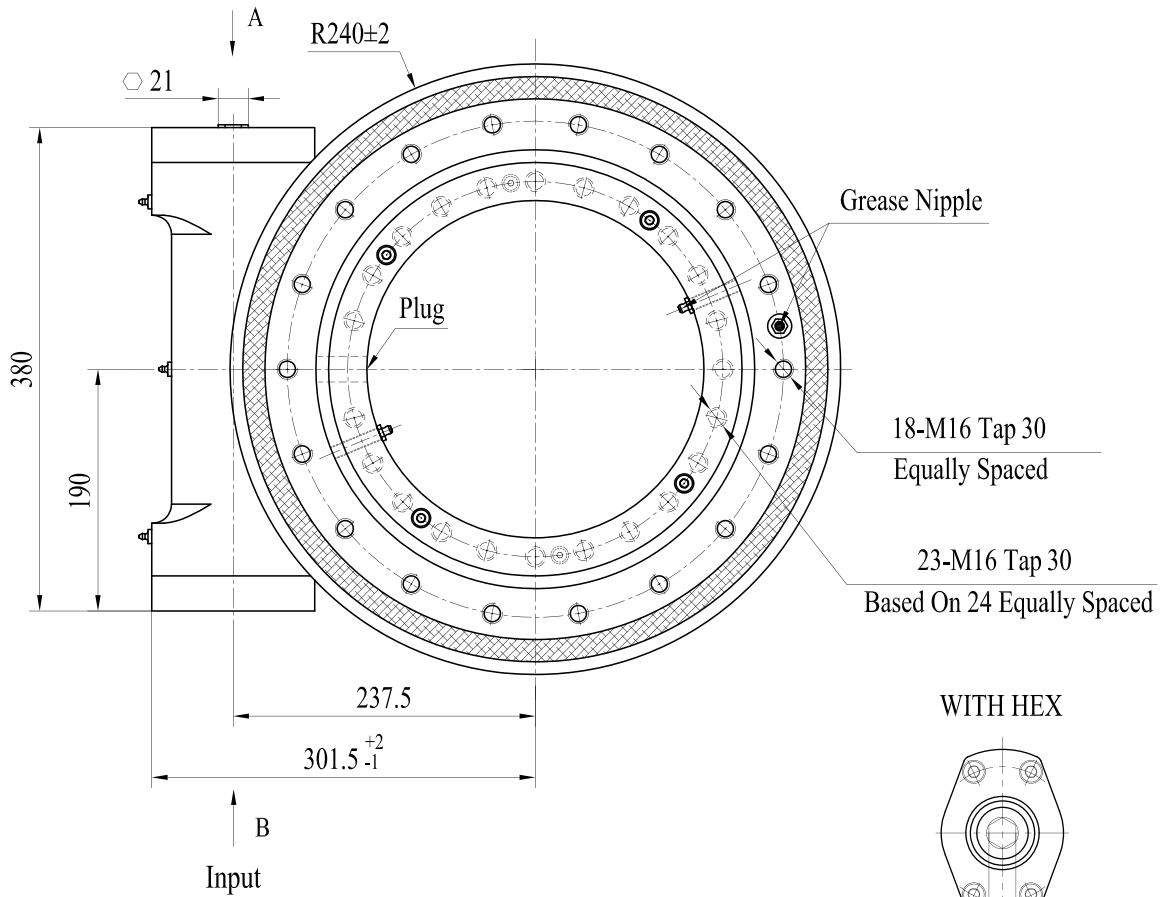
WEA12 - Moment Load Chart



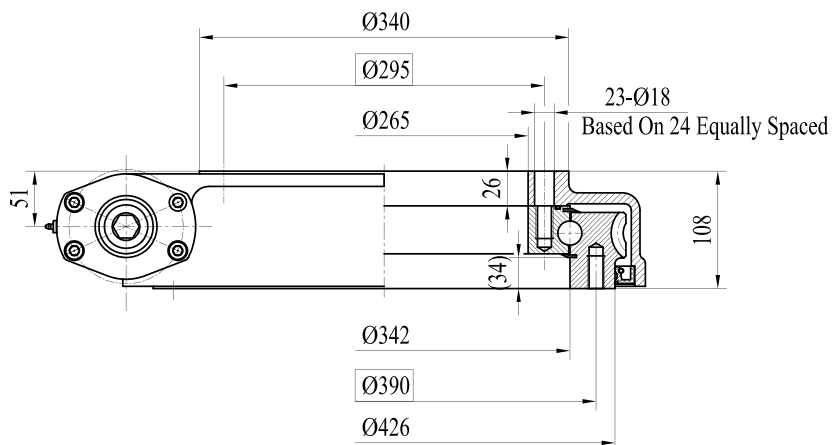
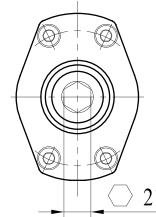
Notice: Please be sure to remain under this curve.



VIEW A OPTION

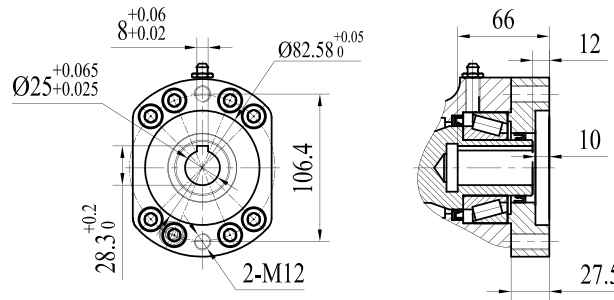


WITH HEX



UNITS: mm
1 inch = 25.4 mm

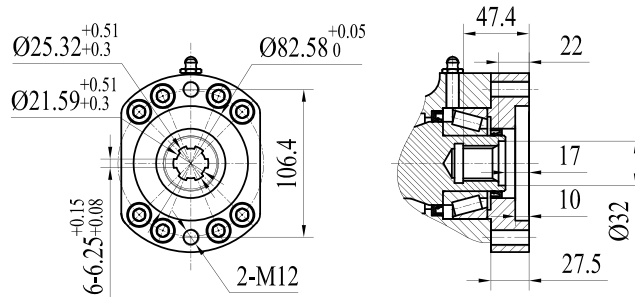
VIEW B OPTION



Ø12 Ø14 Ø16 Ø20 Ø25

NORMAL

UNITS: mm
1 inch = 25.4 mm

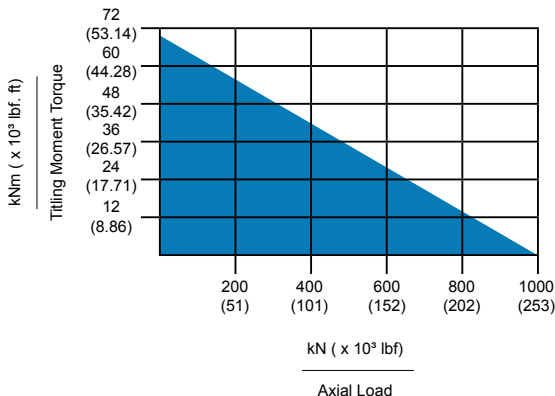


6B SPLINE

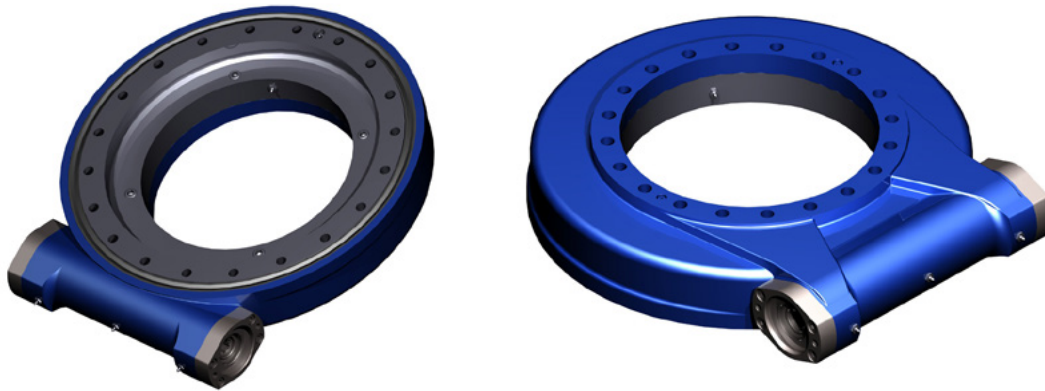
WEA14 - Worm Drive Performance Parameters

Output Torque	Tilting Moment Torque	Holding Torque	Static Axial Rating	Static Radial Rating	Dynamic Axial Rating	Dynamic Radial Rating	Gear Ratio	Tracking Precision	Weight
10.8 kN.m	71.2 kN.m	48 kN.m	960 kN	360 kN	230 kN	200 kN	62:1	≤ 0.15o	53kg
7970 lbf.ft	52.6 x 10 ³ lbf.ft	35 x 10 ³ lbf.ft	215.8 x 10 ³ lbf	80.9 x 10 ³ lbf	51.7 x 10 ³ lbf	44.9 x 10 ³ lbf			

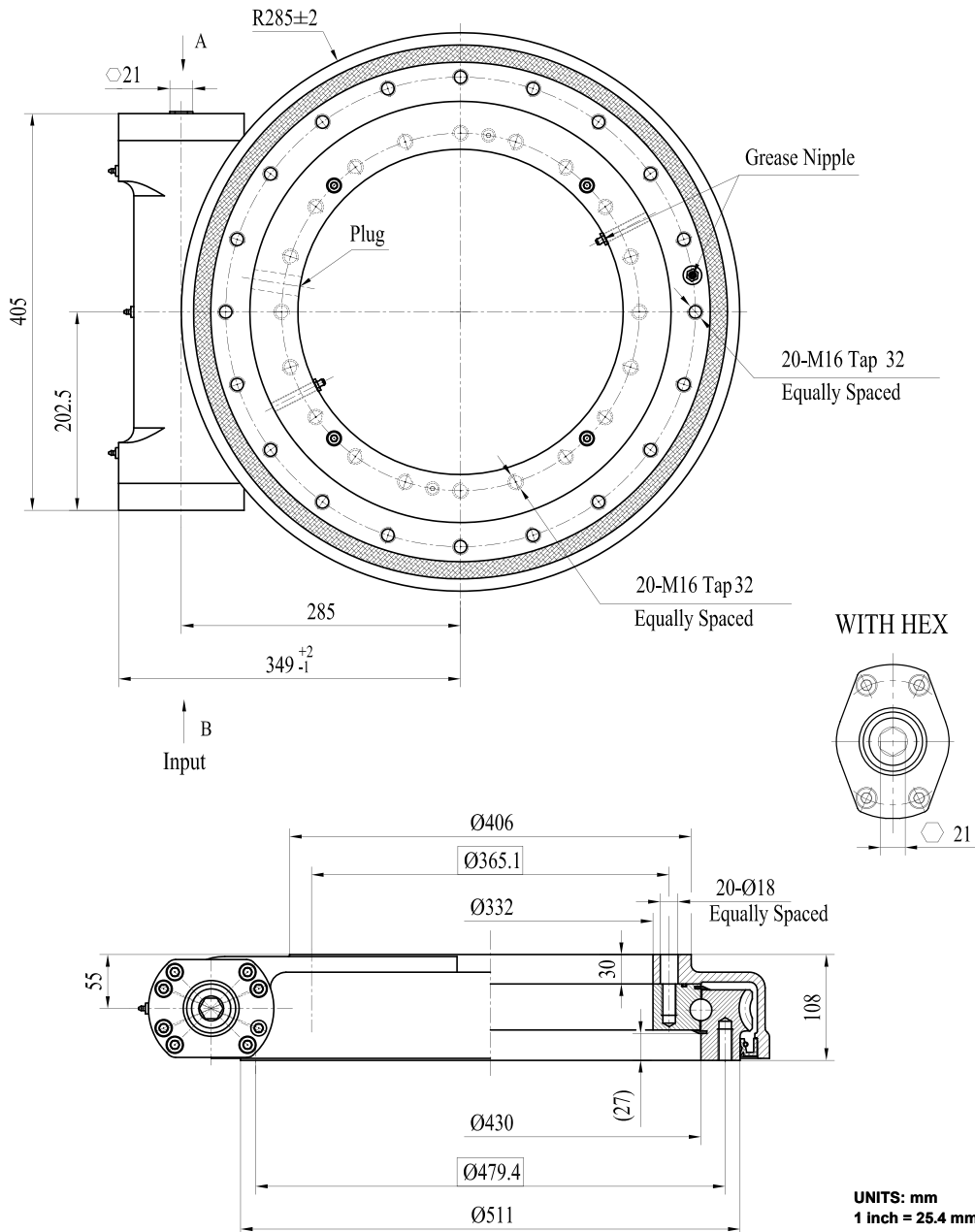
WEA14 - Moment Load Chart



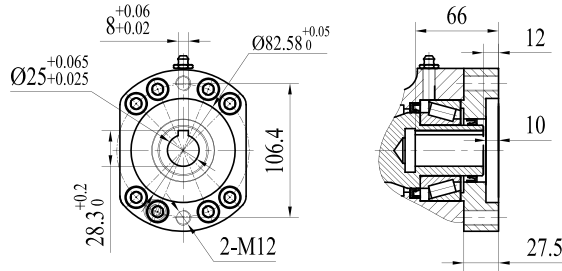
Notice: Please be sure to remain under this curve.



VIEW A OPTION



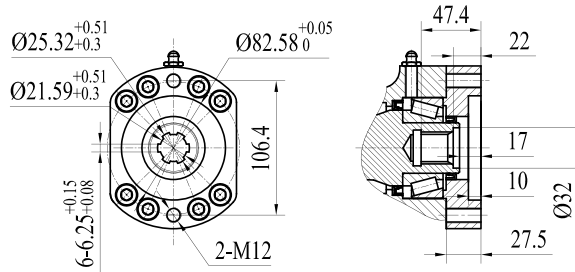
VIEW B OPTION



Ø12 Ø14 Ø16 Ø20 Ø25

□ NORMAL

UNITS: mm
1 inch = 25.4 mm

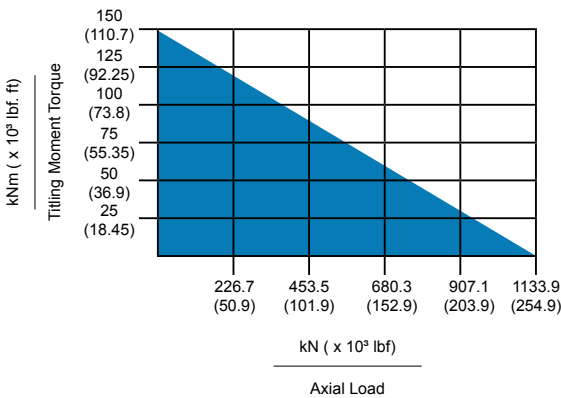


6B SPLINE

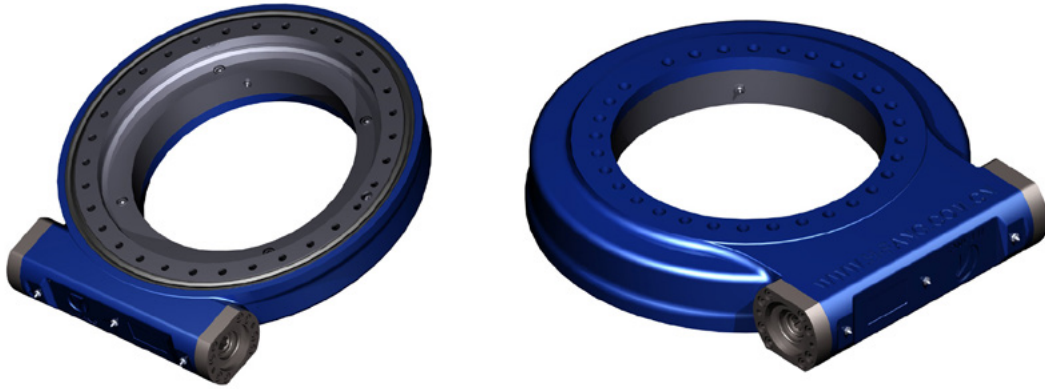
WEA17 - Worm Drive Performance Parameters

Output Torque	Tilting Moment Torque	Holding Torque	Static Axial Rating	Static Radial Rating	Dynamic Axial Rating	Dynamic Radial Rating	Gear Ratio	Tracking Precision	Weight
12.96 kN.m	142.4 kN.m	72.3 kN.m	1166 kN	435 kN	280 kN	231 kN	104:1	≤ 0.1o	96kg
9564 lbf.ft	105 x 10 ³ lbf.ft	53.4 x 10 ³ lbf.ft	262 x 10 ³ lbf	97.8 x 10 ³ lbf	62.9 x 10 ³ lbf	51.9 x 10 ³ lbf			

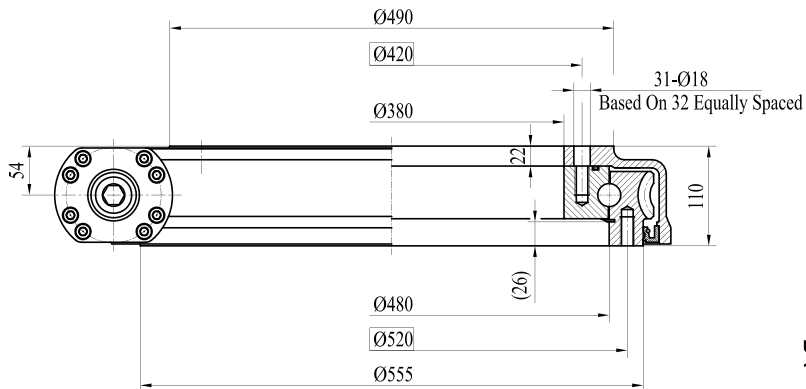
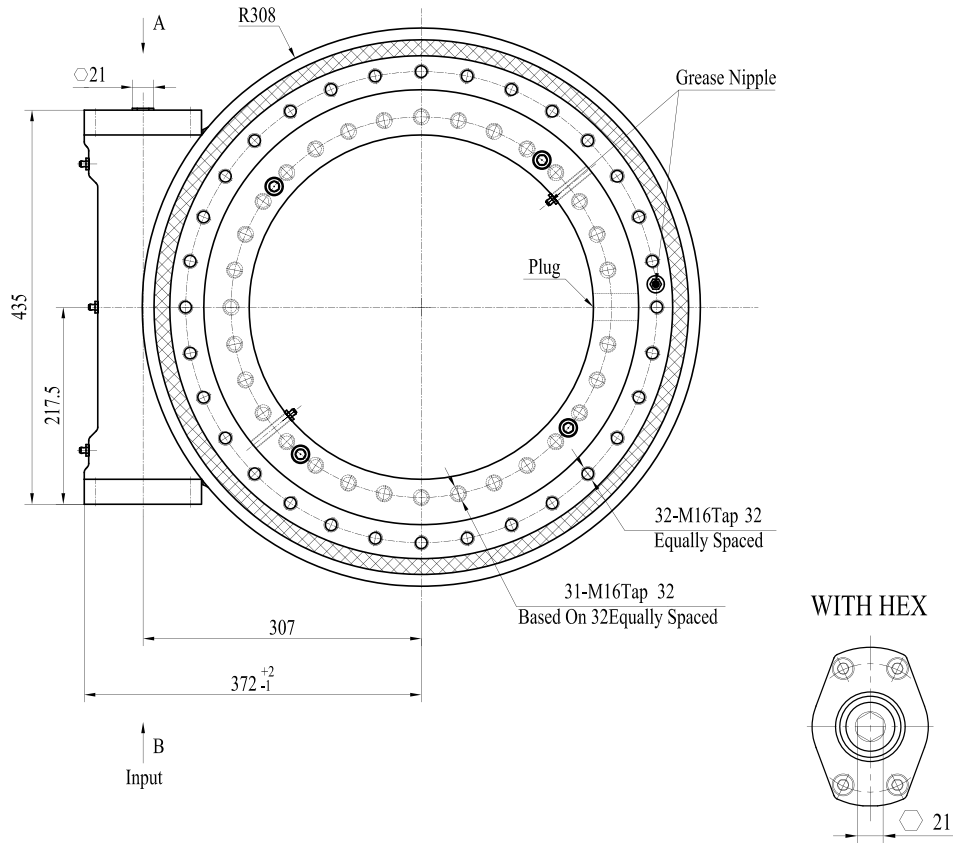
WEA17 - Moment Load Chart



Notice: Please be sure to remain under this curve.

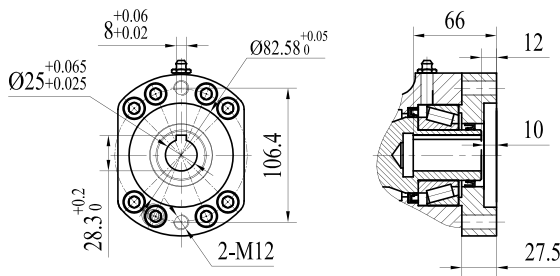


VIEW A OPTION



UNITS: mm
1 inch = 25.4 mm

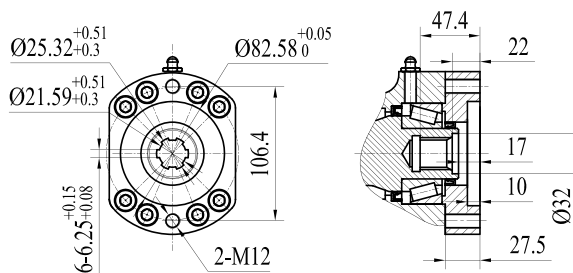
VIEW B OPTION



Ø12 Ø14 Ø16 Ø20 Ø25

□ NORMAL

UNITS: mm
1 inch = 25.4 mm

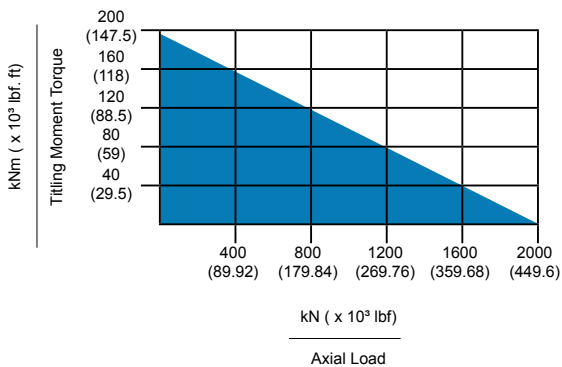


6B SPLINE

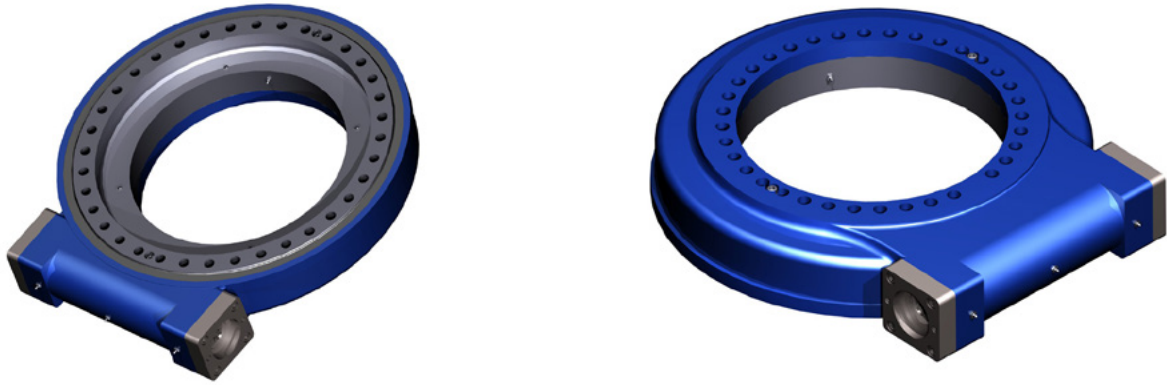
WEA19 - Worm Drive Performance Parameters

Output Torque	Tilting Moment Torque	Holding Torque	Static Axial Rating	Static Radial Rating	Dynamic Axial Rating	Dynamic Radial Rating	Gear Ratio	Tracking Precision	Weight
18.5 kN.m	196 kN.m	86.7 kN.m	1800 kN	675 kN	290 kN	250 kN	93:1	≤ 0.1o	130kg
13653 lbf.ft	144.6 x 10 ³ lbf.ft	64 x 10 ³ lbf.ft	404.6 x 10 ³ lbf	151.7 x 10 ³ lbf	65.2 x 10 ³ lbf	56.2 x 10 ³ lbf			

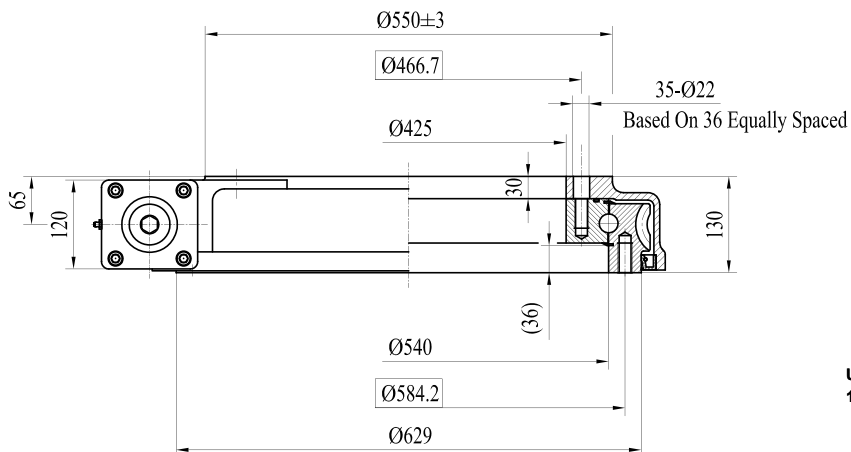
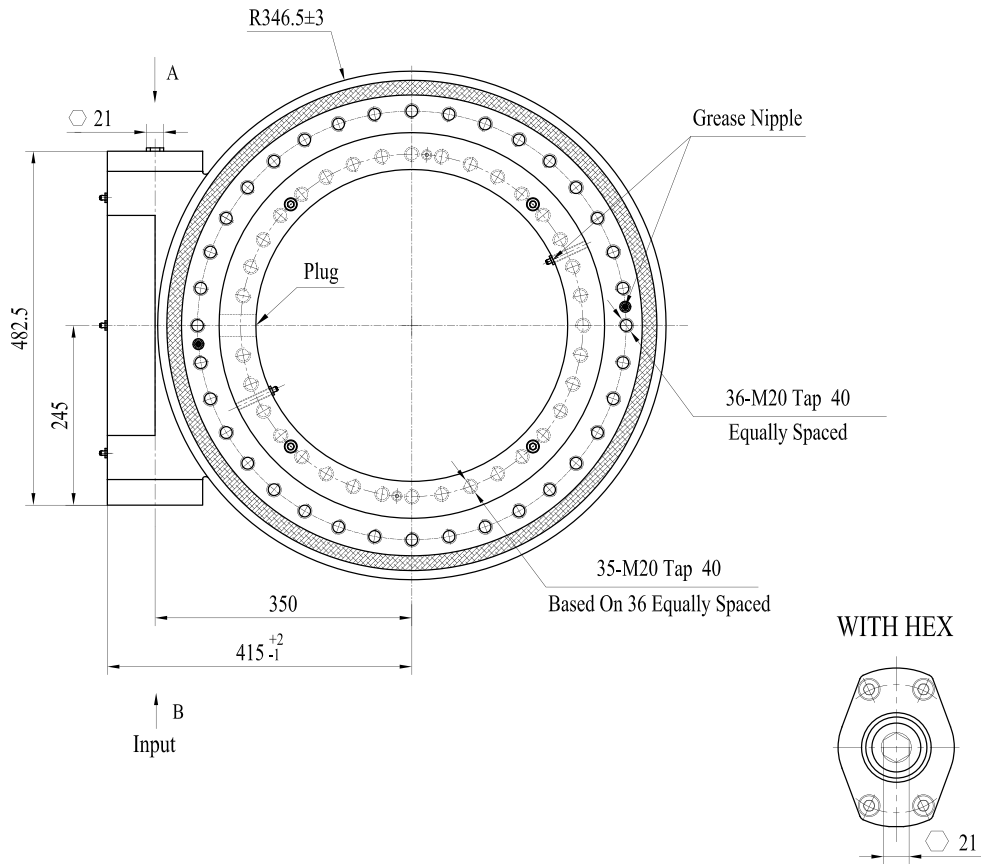
WEA19 - Moment Load Chart



Notice: Please be sure to remain under this curve.

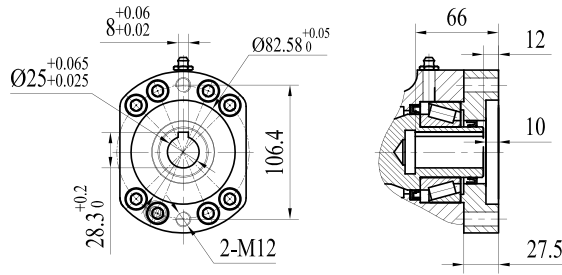


VIEW A OPTION



UNITS: mm
1 inch = 25.4 mm

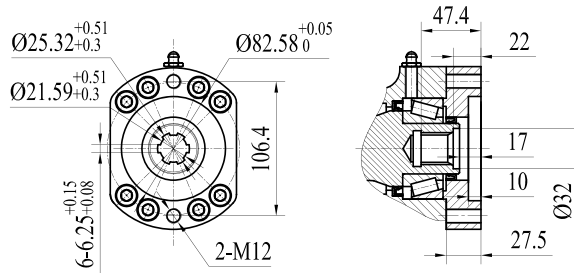
VIEW B OPTION



Ø12 Ø14 Ø16 Ø20 Ø25

□ NORMAL

UNITS: mm
1 inch = 25.4 mm

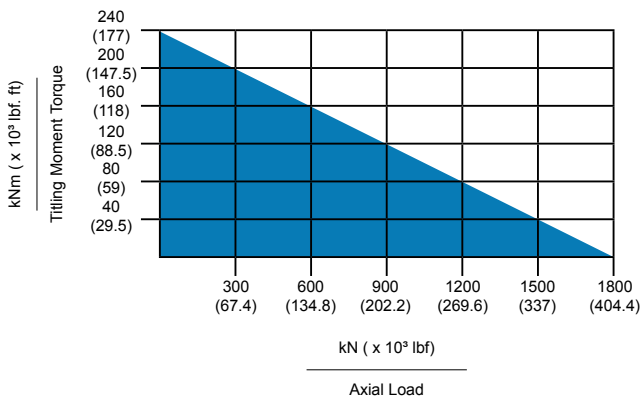


6B SPLINE

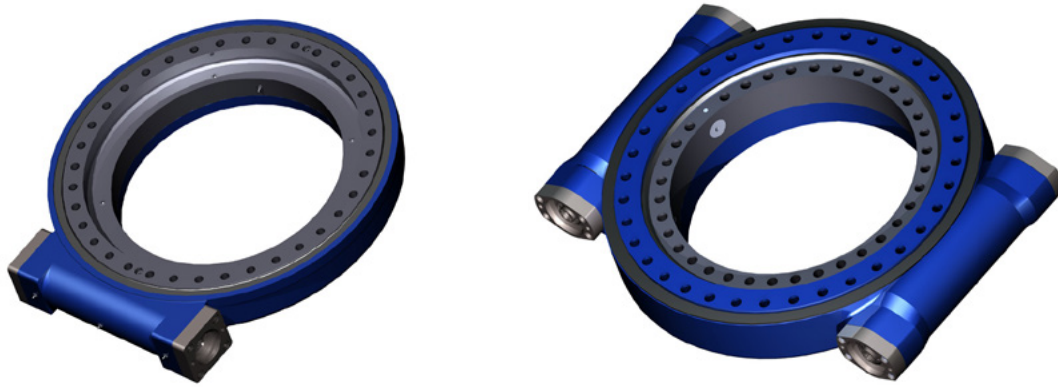
WEA21 - Worm Drive Performance Parameters

Output Torque	Tilting Moment Torque	Holding Torque	Static Axial Rating	Static Radial Rating	Dynamic Axial Rating	Dynamic Radial Rating	Gear Ratio	Tracking Precision	Weight
28.7 kN.m	203 kN.m	105.8 kN.m	1598 kN	640 kN	385 kN	335 kN	90:1	≤ 0.1o	172kg
21180 lbf.ft	150 x 10 ³ lbf.ft	78.1 x 10 ³ lbf.ft	359 x 10 ³ lbf	144 x 10 ³ lbf	87 x 10 ³ lbf	75 x 10 ³ lbf			

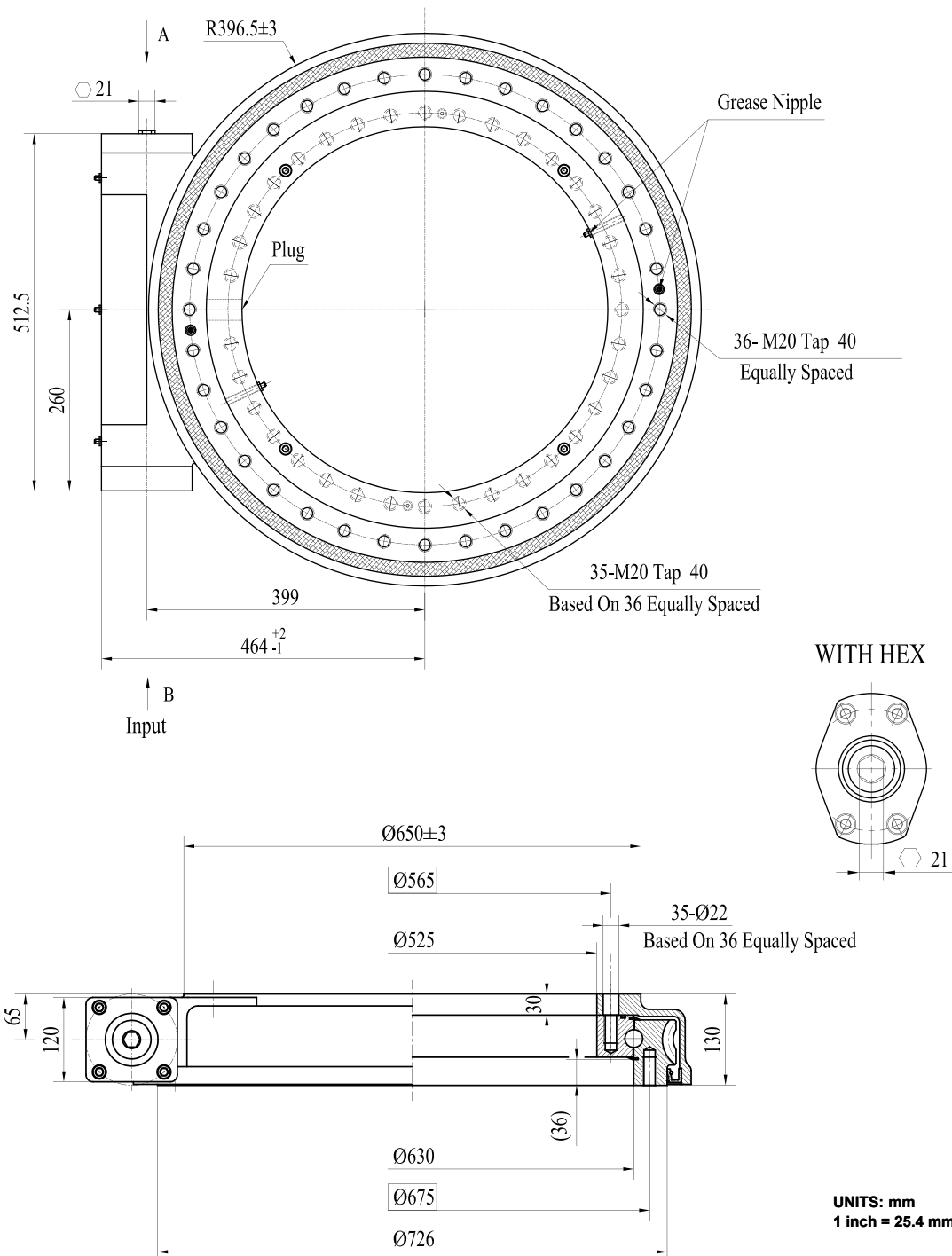
WEA21 - Moment Load Chart



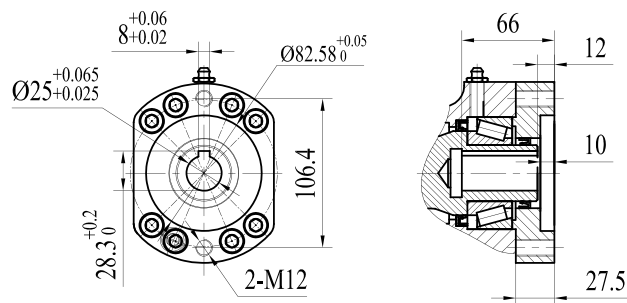
Notice: Please be sure to remain under this curve.



VIEW A OPTION



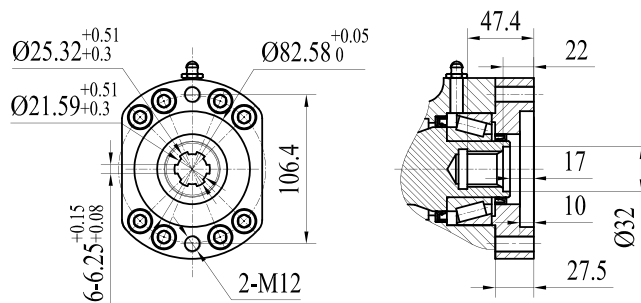
VIEW B OPTION



Ø12 Ø14 Ø16 Ø20 Ø25

□ NORMAL

UNITS: mm
1 inch = 25.4 mm

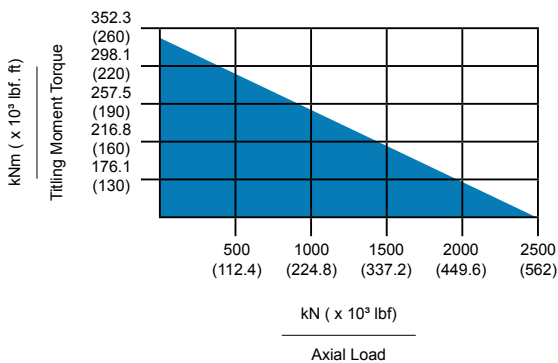


6B SPLINE

WEA25 - Worm Drive Performance Parameters

Output Torque	Tilting Moment Torque	Holding Torque	Static Axial Rating	Static Radial Rating	Dynamic Axial Rating	Dynamic Radial Rating	Gear Ratio	Tracking Precision	Weight
34.2 kN.m	310 kN.m	158.3 kN.m	2360 kN	945 kN	590 kN	470 kN	93:1	≤ 0.1o	130kg
25240 lbf.ft	229 x 10 ³ lbf.ft	117 x 10 ³ lbf.ft	531 x 10 ³ lbf	212 x 10 ³ lbf	133 x 10 ³ lbf	106 x 10 ³ lbf			

WEA25 - Moment Load Chart



Notice: Please be sure to remain under this curve.

TRANSDRIVE[®]

DRIVE PERFORMANCE

Need more information about
TransDrive products, customised
products and services, get in touch.

info@transdrive.com.au
transdrive.com.au

Supplier

