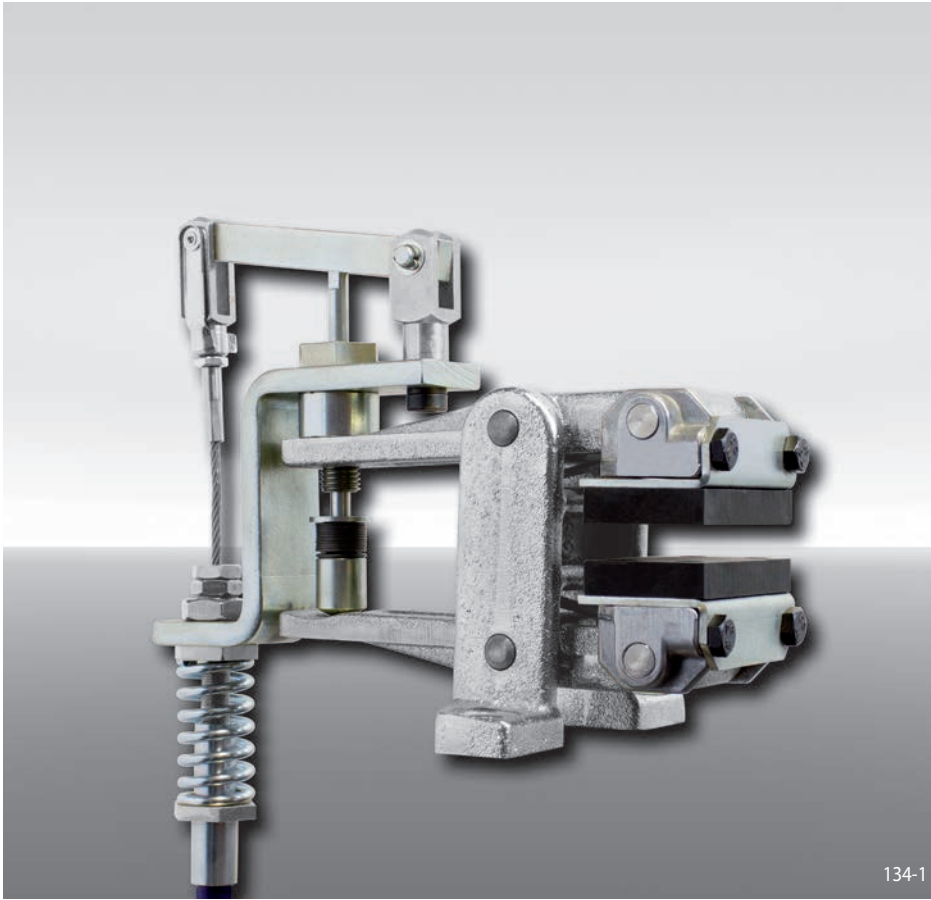


Brake Caliper DV 020 MKM

manually activated – manually released
by Pull Cable



134-1

Features

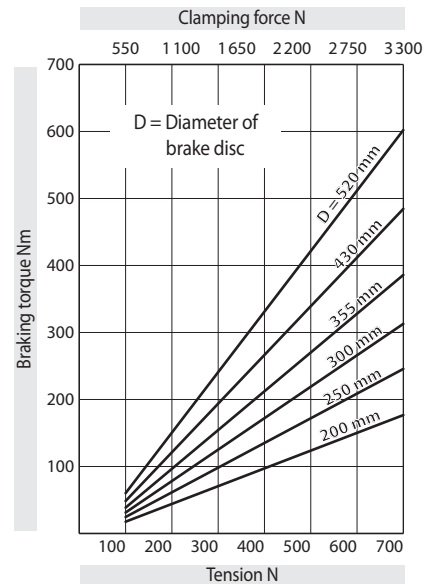
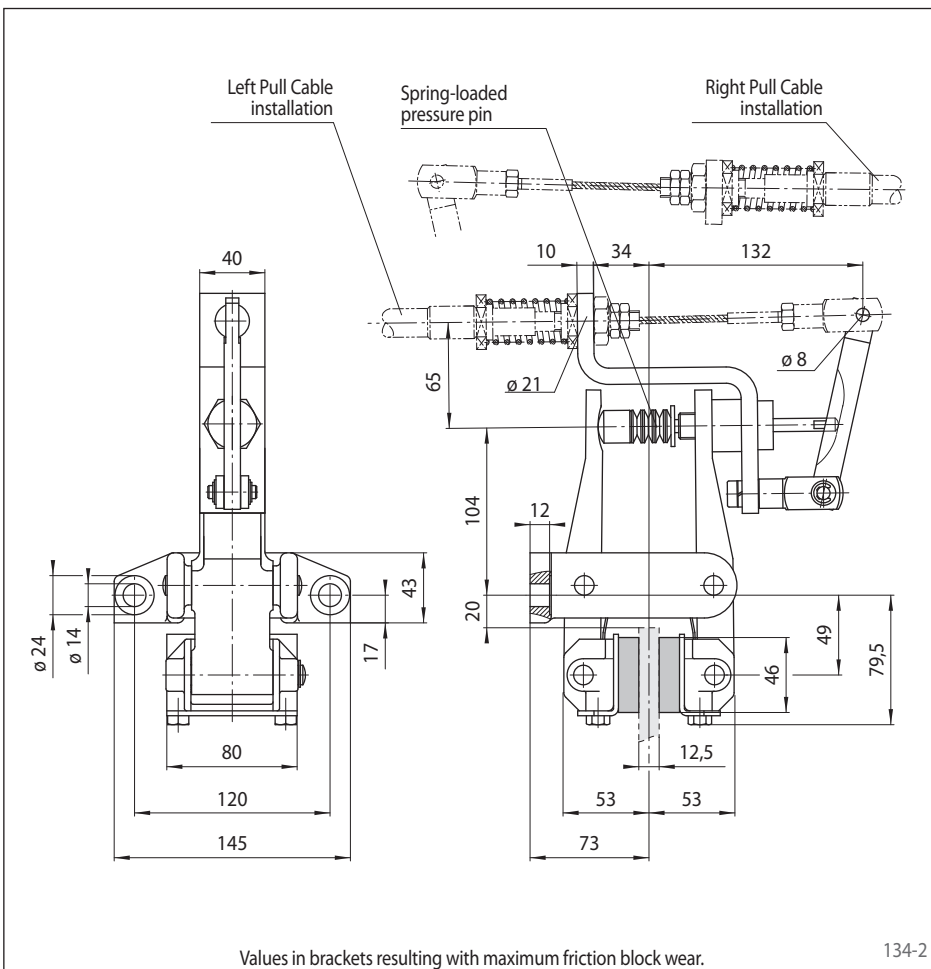
| Features | Code |
|---|--------|
| Brake Caliper | D |
| Mounting to the machine parallel to the brake disc | V |
| Frame size 020 | 020 |
| Manually activated | M |
| Manually released | K |
| Manual adjustment to accommodate friction block wear | M |
| Spring-loaded pressure pin 730 | 730 |
| Pull Cable installation mounted right or left available | R L |
| Thickness of brake disc 12,5 mm | 12 |

Example for ordering

Brake Caliper DV 020 MKM, pressure pin 730, Pull Cable installation mounted right, thickness of brake disc 12,5 mm:

DV 020 MKM - 730 R - 12

Technical Data



The braking torques shown in the diagram are based on a theoretical friction coefficient of 0,4.

Weight: 5,1 kg

Accessories

The Brake Caliper can be delivered fully assembled with RCS® Pull Cable and Hand Brake Lever. Please indicate the required cable length.

For further information regarding RCS® Pull Cable and Hand Brake Lever see page 167.

A spring loaded pressure pin compensates for wear of the friction block during the braking action.