

TRANSDRIVE®

DRIVE PERFORMANCE



Pulleys & Bushes

transdrive.com.au

TRANSDRIVE®

DRIVE PERFORMANCE

TransDrive was established to bring together our passion and experience in power transmission by being able to offer affordable, high-quality products to the power transmission and bearing market. Built on the philosophy of improving performance and quality of all of our TransDrive products.

Transdrive products have been manufactured and tested to meet ISO standards and the tough, working conditions of heavy industries.

Our team have experience in power transmission and bearings. Every product we design and manufacture is backed by years of industry knowledge and an understanding of what our customers and the market need.

At TransDrive, our goal is simple: to provide accessible, high-quality products at affordable pricing. With an unwavering commitment to excellence, TransDrive operates with a focus on providing innovative industry solutions.

Whether it is through our custom products, the standard range of pulleys, slew drives, chains and sprockets, TransDrive is dedicated to delivering effective solutions for the trades that offer increased productivity and reliability.

TransDrive exclusively supply to Resellers, Wholesalers, and Original Equipment Manufacturers (OEMs) only.

Distributors

Western Australia

Chain & Drives, Wangara
Unit 1, 45 Inspiration Drive,
Wangara, WA 6065 Australia

P +61 8 9303 4966

E support@chainanddrives.com.au

Chain & Drives, Welshpool
Unit 16, 51-53 Kewdale Road,
Welshpool, WA 6106 Australia

P +61 8 6314 1155

E support@chainanddrives.com.au

New South Wales

Chain & Drives, Arndell Park
Unit 7/70 Holbeche Road,
Arndell Park, NSW 2148 Australia

P +61 2 9674 8611

E salesnsw@chainanddrives.com.au

Tank Enviro Systems
Unit 6, 68 Railway Crescent,
Lisarow, NSW 2250

P +61 2 4328 1066

E tankadmin@tankenviro.com.au

Become a TransDrive Dealer

Interested in becoming a TransDrive Dealer?

Get in touch:

E info@transdrive.com.au

Contents

About Pulleys	04
Taper Lock V Pulleys	05
Profile	06
SPZ	07
SPA	14
SPB	20
SPC	28
Aluminium V Pulleys	34
A Section	35
B Section	36
M Section	37
Timing Pulleys	38
Straight-bore HTD 5M	39
Straight-bore HTD 8M	42
Taper-bore HTD 5M	51
Taper-bore HTD 8M	53
Taper-bore HTD 8M	54
GT Poly Chain 8mm	61
GT Poly Chain 14mm	66
Mi-Lock V-Pulleys	69

About Pulleys

Custom Pulleys

We supply all types of pulleys however we understand that “off-the-shelf” pulleys don’t always fit every application, that is why we offer specially designed and manufactured pulleys to international standards to suit your specialised application requirements. Pulleys that maximise performance and increase belt life even under the most extreme conditions.

Development & Standards

TransDrive pulleys are dynamically balanced and built to suit standard taper lock bushes and HTD timing belts.

Manufactured from high quality cast iron materials meeting international standards. High quality castings are dynamically and statically balanced, ensuring maximum service life in new and replacement applications.

Belt Drives are used for high speed high power applications including: Pump Drives, Fan Systems, Blowers, Crusher Drivers, Agricultural Equipment, Lawn & Garden Equipment and Automotive Drives.

Our Pulleys are available in single and multi-strand (up to 12 grooves) in standard Pitch Circle Diameters (PCD) from 63mm up to 1250mm. They are available in the 4 standard SPZ, SPA, SPB and SPC section belts in Vee and Cogged X design.

Standard Taper Fit designs accommodate a huge range of imperial and metric bore.

The SPA, SPB, SPC and SPZ series is the new and improved version of the Vee Belt drive. It is capable of greater power than the standard A, B C & D section, giving a more compact drive.



Taper Lock V Pulleys

The Standard V Belt Pulley drives have been around for more than 50 years. It is used in many applications throughout industry and is one of the most recognised power transmission drives ever made.

TransDrive supply the complete range of Taper Lock Pulleys, from SPZ, A, B and C options to suit your mechanical needs.



Profile

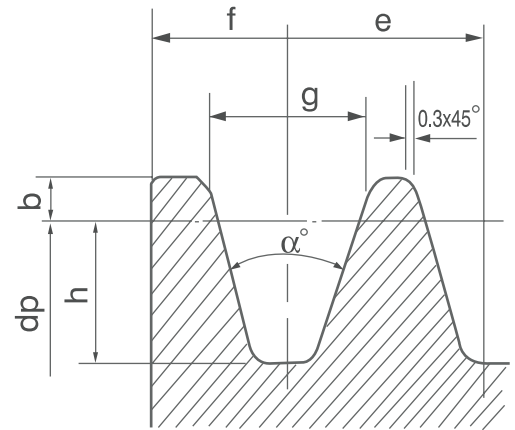
TransDrive Taper Lock Pulleys combine robust functionality with easy installation, thanks to their innovative taper lock mechanism. Say goodbye to cumbersome downtime during maintenance or replacement.

TransDrive Taper Lock Pulleys ensure steadfast performance in industrial and automotive applications, providing a reliable link between power sources and rotating components.

Experience the epitome of engineering ingenuity and operational agility by integrating TransDrive Taper Lock Pulleys into your systems – where efficiency meets simplicity for unparalleled results.

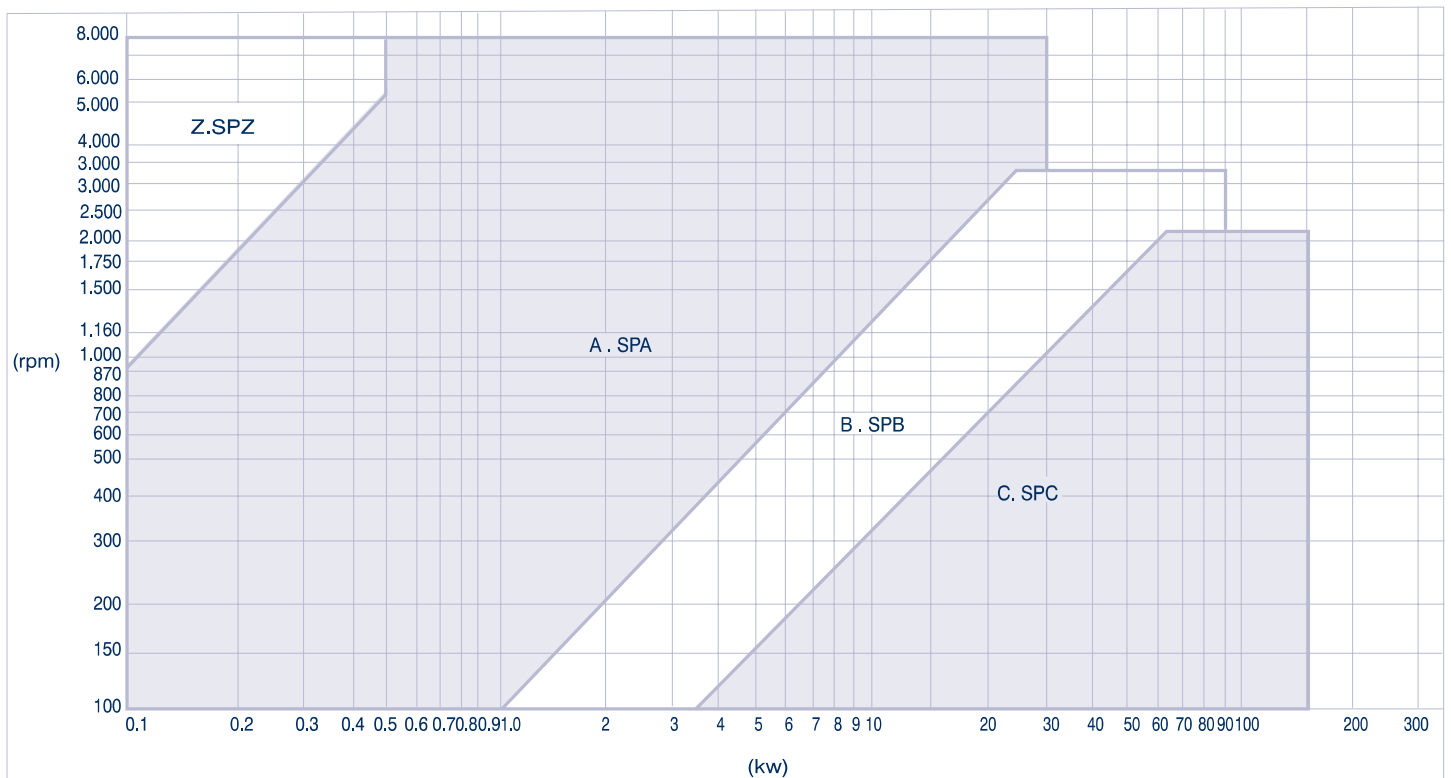
Profile Selection

Section	PCD (mm)	a*	f	e	g	h	b
Z-SPZ	<80 80>	34 38	8	12	9.7 9.9	9	2
A-SPA	<118 118>	34 38	10	15	12.7 12.9	11	2.75
B-SPB	<190 190>	34 38	12	12	9.7 9.9	9	2
C-SPC	<315 315>	34 38	17	25.5	21.9 22.3	19	4.8

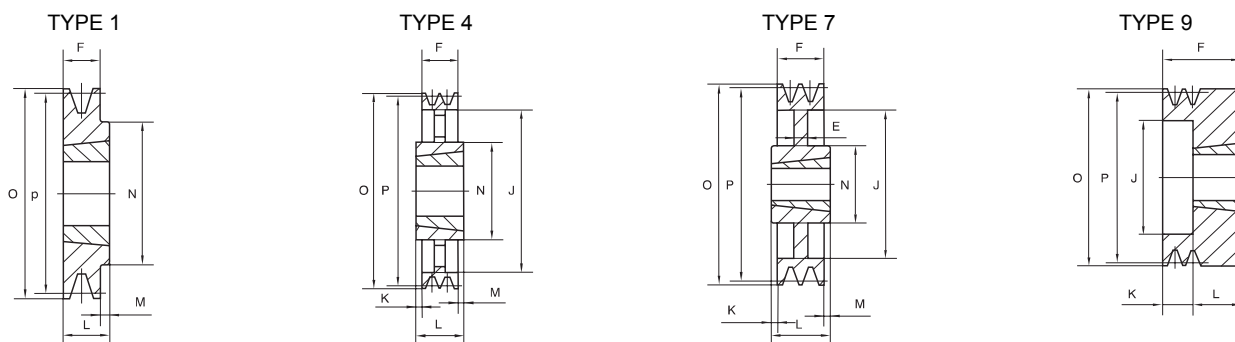


BS3790 - 1981

Selection for stock V-Belt Pulleys

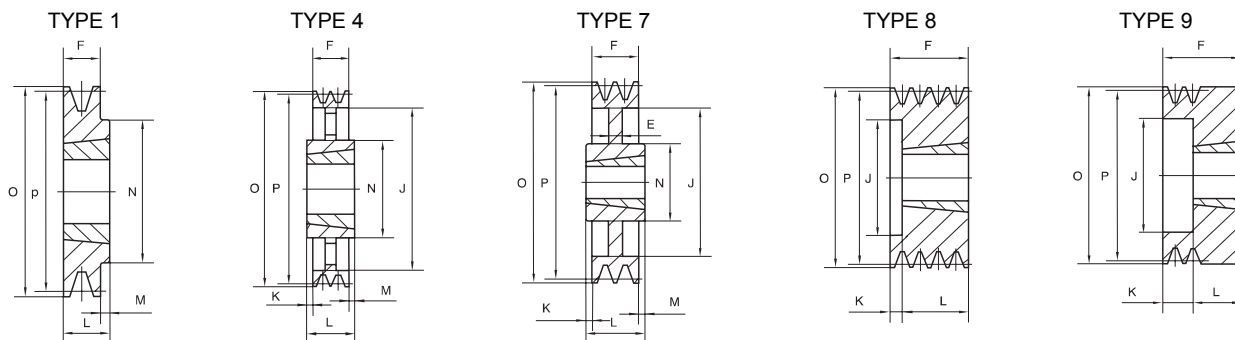


SPZ/01



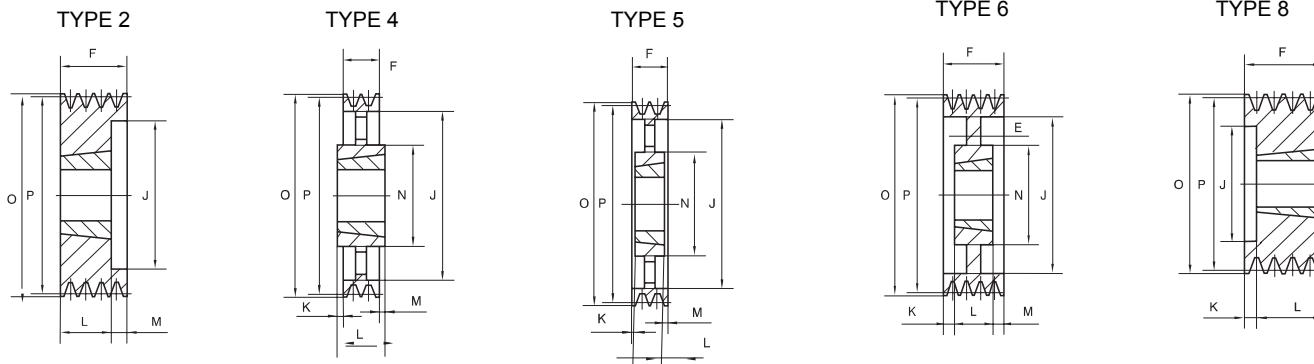
SPZ/01	Grooves	PCD	O.D	Type	Bush	Max Bore	E	F	J	K	L	M	N
SPZ50-01	1	50.0	54.0	9	1008	25	—	37	28	15	22	—	—
SPZ56-01	1	56.0	60.0	9	1008	25	—	37	33	15	22	—	—
SPZ60-01	1	60.0	64.0	9	1008	25	—	22	—	—	22	—	—
SPZ63-01	1	63.0	67.0	1	1008	28	—	16	—	—	22	6	62
SPZ67-01	1	67.0	71.0	1	1008	28	—	16	—	—	22	6	62
SPZ71-01	1	71.0	75.0	1	1108	28	—	16	—	—	22	6	62
SPZ75-01	1	75.0	79.0	1	1108	28	—	16	—	—	22	6	62
SPZ80-01	1	80.0	84.0	1	1210	32	—	16	—	—	25	9	75
SPZ85-01	1	85.0	89.0	1	1210	32	—	16	—	—	25	9	75
SPZ90-01	1	90.0	94.0	1	1210	32	—	16	—	—	25	9	75
SPZ95-01	1	95.0	99.0	9	1210	32	—	16	—	—	25	9	75
SPZ100-01	1	100.0	104.0	9	1210	32	—	16	—	—	25	9	75
SPZ106-01	1	106.0	110.0	9	1610	42	—	16	—	—	25	9	75
SPZ112-01	1	112.0	116.0	1	1610	42	—	16	—	—	25	9	75
SPZ118-01	1	118.0	122.0	1	1610	42	—	16	—	—	25	9	75
SPZ125-01	1	125.0	129.0	1	1610	42	—	16	—	—	25	9	75
SPZ132-01	1	132.0	136.0	1	1610	42	—	16	—	—	25	9	75
SPZ140-01	1	140.0	144.0	1	1610	42	—	16	—	—	25	9	75
SPZ150-01	1	150.0	154.0	1	1610	42	—	16	—	—	25	9	75
SPZ160-01	1	160.0	164.0	1	1610	42	—	16	—	—	25	9	75
SPZ170-01	1	170.0	174.0	7	1610	42	8	16	141	—	25	9	75
SPZ180-01	1	180.0	184.0	7	1610	42	8	16	151	—	25	9	75
SPZ190-01	1	190.0	194.0	7	1610	42	8	16	161	—	25	9	75
SPZ200-01	1	200.0	204.0	7	2012	50	8	16	171	—	32	16	95
SPZ224-01	1	224.0	228.0	7	2012	50	8	16	195	—	32	16	95
SPZ250-01	1	250.0	254.0	4	2012	50	—	16	221	8	32	8	95
SPZ280-01	1	280.0	284.0	4	2012	50	—	16	251	8	32	8	95
SPZ315-01	1	315.0	319.0	4	2012	50	—	16	286	8	32	8	95
SPZ355-01	1	355.0	359.0	4	2012	50	—	16	326	8	32	8	95
SPZ400-01	1	400.0	404.0	4	2012	50	—	16	371	8	32	8	95
SPZ450-01	1	450.0	454.0	4	2517	60	—	16	421	14.5	45	14.5	120

SPZ/02



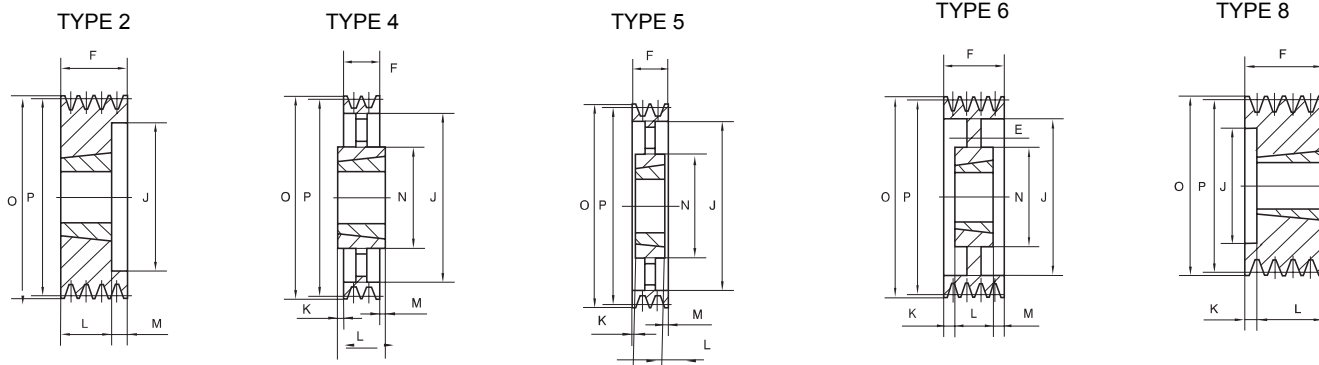
SPZ/02	Grooves	PCD	O.D	Type	Bush	Max Bore	E	F	J	K	L	M	N
SPZ50-02	2	50.0	54.0	9	1008	25	—	49	28	27	22	—	—
SPZ56-02	2	56.0	60.0	9	1008	28	—	49	35	27	22	—	—
SPZ60-02	2	60.0	64.0	9	1008	28	—	49	36	27	22	—	—
SPZ63-02	2	63.0	67.0	8	1008	28	—	28	40	6	22	—	—
SPZ67-02	2	67.0	71.0	8	1008	28	—	28	42	6	22	—	—
SPZ71-02	2	71.0	75.0	8	1108	28	—	28	42	6	22	—	—
SPZ75-02	2	75.0	79.0	8	1210	32	—	28	51	3	22	—	—
SPZ80-02	2	80.0	84.0	8	1210	32	—	28	51	3	25	—	—
SPZ85-02	2	85.0	89.0	8	1610	42	—	28	56	3	25	—	—
SPZ90-02	2	90.0	94.0	8	1610	42	—	28	61	3	25	—	—
SPZ95-02	2	95.0	99.0	8	1610	42	—	28	66	3	25	—	—
SPZ100-02	2	100.0	104.0	8	1610	42	—	28	71	3	25	—	—
SPZ106-02	2	106.0	110.0	8	1610	42	—	28	77	3	25	—	—
SPZ112-02	2	112.0	116.0	8	1610	42	—	28	83	3	25	—	—
SPZ118-02	2	118.0	122.0	8	1610	42	—	28	89	3	25	—	—
SPZ125-02	2	125.0	129.0	8	1610	42	—	28	96	3	25	—	—
SPZ132-02	2	132.0	136.0	8	1610	42	—	28	103	3	25	—	—
SPZ140-02	2	140.0	144.0	8	1610	42	—	28	111	3	25	—	—
SPZ150-02	2	150.0	154.0	1	2012	50	—	28	—	—	25	4	95
SPZ160-02	2	160.0	164.0	7	2012	50	—	28	—	—	25	4	95
SPZ170-02	2	170.0	174.0	7	2012	50	10	28	141	—	25	4	95
SPZ180-02	2	180.0	184.0	7	2012	50	10	28	151	—	25	4	95
SPZ190-02	2	190.0	194.0	7	2012	50	10	28	161	—	25	4	95
SPZ200-02	2	200.0	204.0	7	2012	50	10	28	171	—	32	4	95
SPZ224-02	2	224.0	228.0	7	2012	50	10	28	195	—	32	4	95
SPZ250-02	2	250.0	254.0	4	2012	50	—	28	221	2	32	2	95
SPZ280-02	2	280.0	284.0	4	2012	50	—	28	251	2	32	2	95
SPZ315-02	2	315.0	319.0	4	2012	50	—	28	286	2	32	2	95
SPZ355-02	2	355.0	359.0	4	2012	50	—	28	326	2	32	2	95
SPZ400-02	2	400.0	404.0	4	2517	50	—	28	371	8.5	32	8.5	120
SPZ450-02	2	450.0	454.0	4	2517	60	—	28	421	8.5	45	8.5	120

SPZ/03



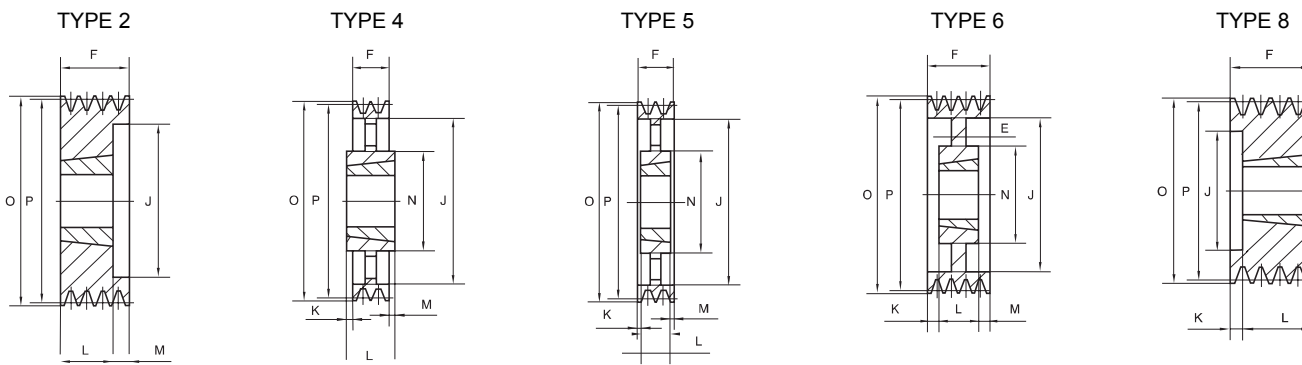
SPZ/03	Grooves	PCD	O.D	Type	Bush	Max Bore	E	F	J	K	L	M	N
SPZ63-03	3	63.0	67.0	8	1008	28	—	40	40	18	22	—	—
SPZ67-03	3	67.0	71.0	8	1008	28	—	40	42	18	22	—	—
SPZ71-03	3	71.0	75.0	8	1008	28	—	40	42	18	22	—	—
SPZ75-03	3	75.0	79.0	8	1210	32	—	40	48	15	22	—	—
SPZ80-03	3	80.0	84.0	8	1210	32	—	40	51	15	22	—	—
SPZ85-03	3	85.0	89.0	8	1610	42	—	40	56	15	25	—	—
SPZ90-03	3	90.0	94.0	8	1610	42	—	40	61	15	25	—	—
SPZ95-03	3	95.0	99.0	8	1610	42	—	40	66	15	25	—	—
SPZ100-03	3	100.0	104.0	8	1610	42	—	40	71	15	25	—	—
SPZ106-03	3	106.0	110.0	8	1610	42	—	40	77	15	25	—	—
SPZ112-03	3	112.0	116.0	8	2012	50	—	40	83	8	32	—	—
SPZ118-03	3	118.0	122.0	8	2012	50	—	40	89	8	32	—	—
SPZ125-03	3	125.0	129.0	2	2012	50	—	40	96	—	32	8	—
SPZ132-03	3	132.0	136.0	2	2012	50	—	40	103	—	32	8	—
SPZ140-03	3	140.0	144.0	2	2012	50	—	40	111	—	32	8	—
SPZ150-03	3	150.0	154.0	2	2012	50	—	40	121	—	32	8	—
SPZ160-03	3	160.0	164.0	2	2012	50	—	40	131	—	32	8	—
SPZ170-03	3	170.0	174.0	6	2012	50	12	40	141	—	32	8	95
SPZ180-03	3	180.0	184.0	6	2012	50	12	40	151	—	32	8	95
SPZ190-03	3	190.0	194.0	6	2012	50	12	40	161	4	32	4	95
SPZ200-03	3	200.0	204.0	6	2012	50	12	40	171	4	32	4	95
SPZ224-03	3	224.0	228.0	6	2012	50	12	40	195	4	32	4	95
SPZ250-03	3	250.0	254.0	5	2012	50	—	40	221	4	32	4	95
SPZ280-03	3	280.0	284.0	4	2517	50	—	40	251	2.5	45	2.5	120
SPZ315-03	3	315.0	319.0	4	2517	50	—	40	286	2.5	45	2.5	120
SPZ355-03	3	355.0	359.0	4	2517	60	—	40	326	2.5	45	2.5	120
SPZ400-03	3	400.0	404.0	4	2517	60	—	40	371	2.5	45	2.5	120
SPZ450-03	3	450.0	454.0	4	2517	60	—	40	421	2.5	45	2.5	120
SPZ500-03	3	500.0	504.0	4	2517	60	—	40	471	2.5	45	2.5	120
SPZ630-03	3	630.0	634.0	4	2517	60	—	40	601	2.5	45	2.5	120
SPZ800-03	3	800.0	804.0	4	3020	75	—	40	771	5.5	51	5.5	150

SPZ/04



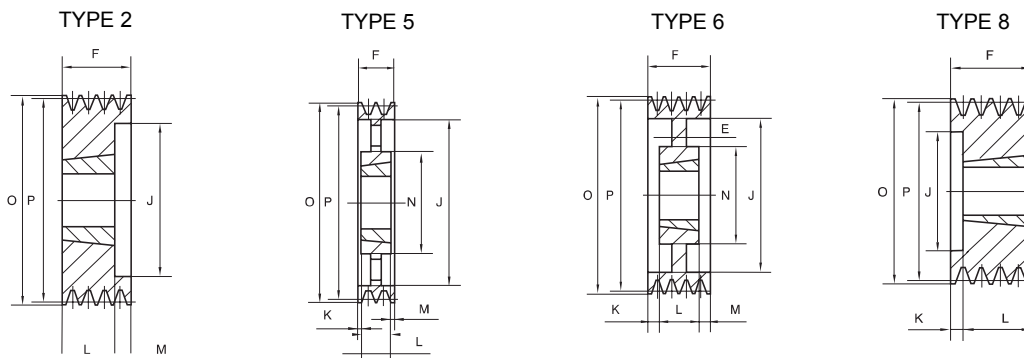
SPZ/04	Grooves	PCD	O.D	Type	Bush	Max Bore	E	F	J	K	L	M	N
SPZ80-04	4	80.0	84.0	8	1210	32	—	52	51	27	25	—	—
SPZ85-04	4	85.0	89.0	8	1610	42	—	52	56	27	25	—	—
SPZ90-04	4	90.0	94.0	8	1610	42	—	52	61	27	25	—	—
SPZ95-04	4	95.0	99.0	8	1610	42	—	52	66	27	25	—	—
SPZ100-04	4	100.0	104.0	8	1610	42	—	52	71	27	25	—	—
SPZ106-04	4	106.0	110.0	8	1610	42	—	52	77	27	25	—	—
SPZ112-04	4	112.0	116.0	8	2012	50	—	52	83	20	32	—	—
SPZ118-04	4	118.0	122.0	8	2012	50	—	52	89	20	32	—	—
SPZ125-04	4	125.0	129.0	2	2012	50	—	52	96	—	32	20	—
SPZ132-04	4	132.0	136.0	2	2012	50	—	52	103	—	32	20	—
SPZ140-04	4	140.0	144.0	2	2012	60	—	52	111	—	32	20	—
SPZ150-04	4	150.0	154.0	2	2517	60	—	52	121	—	45	7	—
SPZ160-04	4	160.0	164.0	2	2517	60	—	52	131	—	45	7	—
SPZ170-04	4	170.0	174.0	6	2517	60	—	52	141	—	45	7	—
SPZ180-04	4	180.0	184.0	6	2517	60	—	52	151	—	45	7	—
SPZ190-04	4	190.0	194.0	6	2517	60	15	52	161	3.5	45	3.5	120
SPZ200-04	4	200.0	204.0	6	2517	60	15	52	171	3.5	45	3.5	120
SPZ224-04	4	224.0	228.0	6	2517	60	15	52	195	3.5	45	3.5	120
SPZ250-04	4	250.0	254.0	5	2517	60	—	52	221	3.5	45	3.5	120
SPZ280-04	4	280.0	284.0	5	2517	60	—	52	251	3.5	45	3.5	120
SPZ315-04	4	315.0	319.0	5	2517	60	—	52	286	3.5	45	3.5	120
SPZ355-04	4	355.0	359.0	5	2517	60	—	52	326	3.5	45	3.5	120
SPZ400-04	4	400.0	404.0	5	2517	60	—	52	371	3.5	45	3.5	120
SPZ450-04	4	450.0	454.0	5	3020	75	—	52	421	0.5	51	0.5	150
SPZ500-04	4	500.0	504.0	5	3020	75	—	52	471	0.5	51	0.5	150
SPZ630-04	4	630	634.0	4	3030	75	—	52	601	12	76	12	150
SPZ800-04	4	800.0	804.0	4	3030	75	—	52	771	12	76	12	150

SPZ/05



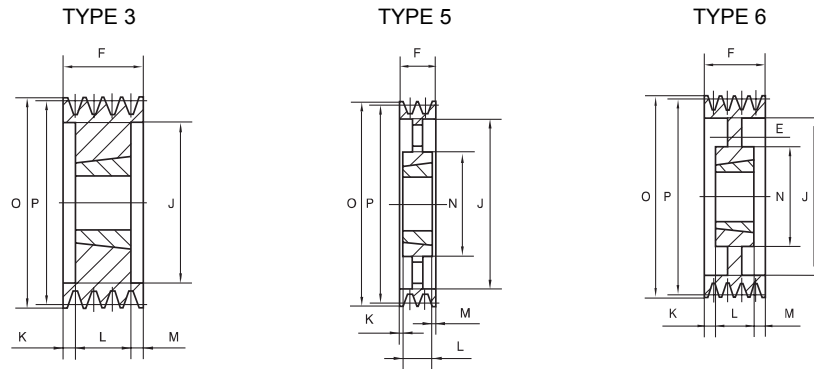
SPZ/05	Grooves	PCD	O.D	Type	Bush	Max Bore	E	F	J	K	L	M	N
SPZ85-05	5	85.0	89.0	8	1610	42	—	64	60	39	25	—	—
SPZ90-05	5	90.0	94.0	8	1610	42	—	64	61	39	25	—	—
SPZ95-05	5	95.0	99.0	8	1610	42	—	64	66	39	25	—	—
SPZ100-05	5	100.0	104.0	8	2012	50	—	64	71	39	25	—	—
SPZ106-05	5	106.0	110.0	8	2012	50	—	64	77	39	25	—	—
SPZ112-05	5	112.0	116.0	8	2012	50	—	64	83	32	32	—	—
SPZ118-05	5	118.0	122.0	8	2012	50	—	64	89	32	32	—	—
SPZ125-05	5	125.0	129.0	8	2012	50	—	64	96	32	32	—	—
SPZ132-05	5	132.0	136.0	8	2517	50	—	64	103	19	45	—	—
SPZ140-05	5	140.0	144.0	8	2517	50	—	64	111	—	45	19	—
SPZ150-05	5	150.0	154.0	2	2517	60	—	64	121	—	45	19	—
SPZ160-05	5	160.0	164.0	2	2517	60	—	64	131	—	45	19	—
SPZ170-05	5	170.0	174.0	6	2517	60	—	64	141	—	45	19	—
SPZ180-05	5	180.0	184.0	6	2517	60	—	64	151	—	45	19	—
SPZ190-05	5	190.0	194.0	6	2517	60	15	64	161	9.5	45	9.5	120
SPZ200-05	5	200.0	204.0	6	2517	60	15	64	171	9.5	45	9.5	120
SPZ224-05	5	224.0	228.0	6	2517	60	15	64	195	9.5	45	9.5	120
SPZ250-05	5	250.0	254.0	5	2517	60	—	64	221	9.5	45	9.5	120
SPZ280-05	5	280.0	284.0	5	2517	60	—	64	251	9.5	45	9.5	120
SPZ315-05	5	315.0	319.0	5	2517	60	—	64	286	9.5	45	9.5	120
SPZ355-05	5	355.0	359.0	5	2517	60	—	64	326	9.5	45	9.5	120
SPZ400-05	5	400.0	404.0	5	3020	75	—	64	371	6.5	51	6.5	150
SPZ450-05	5	450.0	454.0	5	3020	75	—	64	421	6.5	51	6.5	150
SPZ500-05	5	500.0	504.0	4	3020	75	—	64	471	6	76	6	156
SPZ630-05	5	630.0	634.0	4	3020	75	—	64	601	6	76	6	156
SPZ800-05	5	800.0	804.0	4	3535	60	—	64	771	12.5	89	12.5	170

SPZ/06



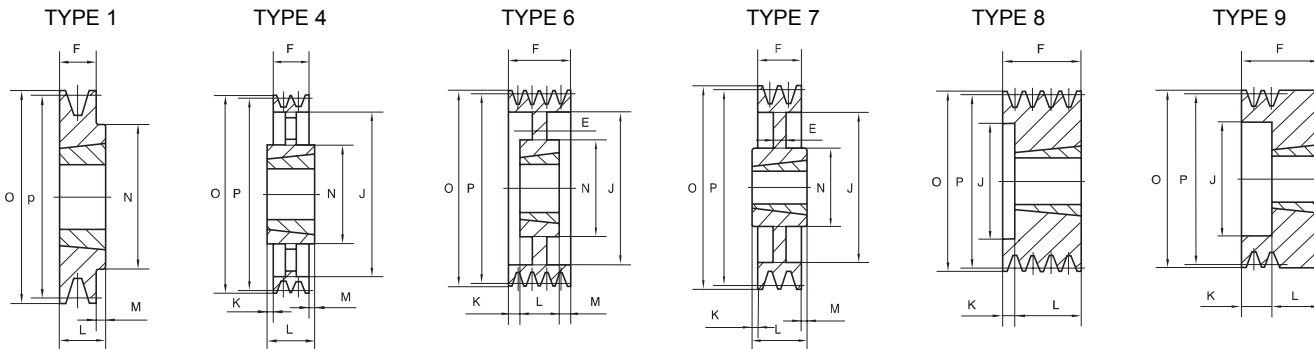
SPZ/06	Grooves	PCD	O.D	Type	Bush	Max Bore	E	F	J	K	L	M	N
SPZ90-06	6	90.0	94.0	8	1610	42	—	76	61	51	25	—	—
SPZ95-06	6	95.0	99.0	8	1610	42	—	76	66	51	25	—	—
SPZ100-06	6	100.0	104.0	8	2012	50	—	76	71	44	32	—	—
SPZ106-06	6	106.0	110.0	8	2012	50	—	76	77	44	32	—	—
SPZ112-06	6	112.0	116.0	8	2012	50	—	76	83	44	32	—	—
SPZ118-06	6	118.0	122.0	8	2517	60	—	76	89	31	45	—	—
SPZ125-06	6	125.0	129.0	8	2517	60	—	76	96	31	45	—	—
SPZ132-06	6	132.0	136.0	8	2517	60	—	76	103	31	45	—	—
SPZ140-06	6	140.0	144.0	2	2517	60	—	76	111	—	45	31	—
SPZ150-06	6	150.0	154.0	2	2517	60	—	76	121	—	45	31	—
SPZ160-06	6	160.0	164.0	2	2517	60	—	76	131	—	45	31	—
SPZ170-06	6	170.0	174.0	2	2517	60	—	76	141	—	45	31	—
SPZ180-06	6	184.0	184.0	2	2517	60	—	76	151	—	45	31	—
SPZ190-06	6	194.0	194.0	6	2517	60	15	76	161	15.5	45	15.5	120
SPZ200-06	6	204.0	204.0	6	2517	60	15	76	171	15.5	45	15.5	120
SPZ224-06	6	224.0	228.0	6	2517	60	15	76	195	15.5	45	15.5	120
SPZ250-06	6	250.0	254.0	5	2517	60	—	76	221	15.5	45	15.5	120
SPZ280-06	6	280.0	284.0	5	2517	60	—	76	251	15.5	45	15.5	120
SPZ315-06	6	315.0	319.0	5	2517	60	—	76	286	15.5	45	15.5	120
SPZ355-06	6	355.0	359.0	5	2517	60	—	76	326	15.5	45	15.5	120
SPZ400-06	6	400.0	404.0	5	3020	75	—	76	371	—	76	—	156
SPZ450-06	6	450.0	454.0	5	3020	75	—	76	421	—	76	—	156
SPZ500-06	6	500.0	504.0	5	3020	75	—	76	471	—	76	—	170
SPZ630-06	6	630.0	634.0	4	3020	90	—	76	601	6.5	76	6.5	170
SPZ800-06	6	800.0	804.0	4	3020	90	—	76	771	6.5	76	6.5	170

SPZ/08



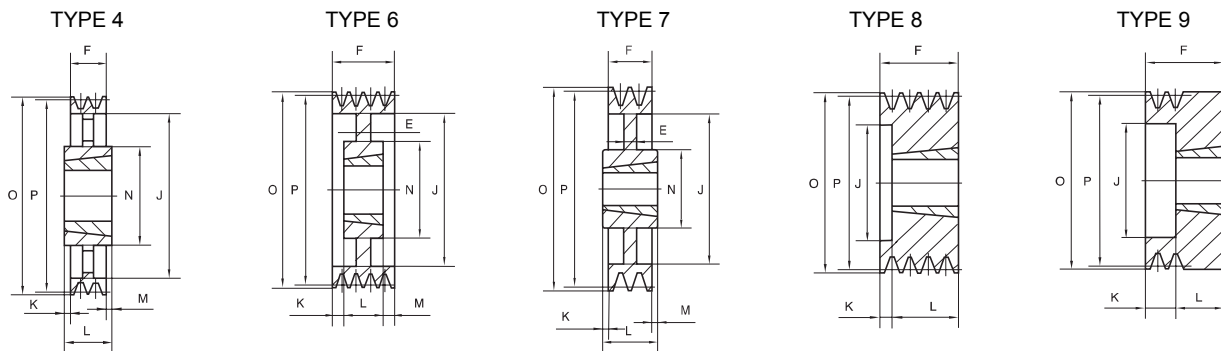
SPZ/08	Grooves	PCD	O.D	Type	Bush	Max Bore	E	F	J	K	L	M	N
SPZ140-08	8	140.0	144.0	3	2012	60	—	100	111	27.5	42	27.5	—
SPZ150-08	8	150.0	154.0	3	2517	60	—	100	121	27.5	45	27.5	—
SPZ160-08	8	160.0	164.0	3	2517	60	—	100	131	27.5	45	27.5	—
SPZ180-08	8	180.0	184.0	3	2517	60	—	100	151	27.5	45	27.5	—
SPZ200-08	8	200.0	208.0	3	3020	75	—	100	171	24.5	51	24.5	—
SPZ224-08	8	224.0	228.0	3	3020	75	—	100	195	24.5	51	24.5	—
SPZ250-08	8	250.0	254.0	6	3020	75	20	100	221	24.5	51	24.5	150
SPZ280-08	8	280.0	284.0	5	3020	75	—	100	251	24.5	51	24.5	150
SPZ355-08	8	355.0	228.0	5	3020	75	—	100	326	12	76	12	156
SPZ400-08	8	400.0	254.0	5	3021	75	—	100	371	12	76	12	156
SPZ450-08	8	450.0	454.0	5	3535	90	—	100	421	5.5	89	5.5	156

SPA/01



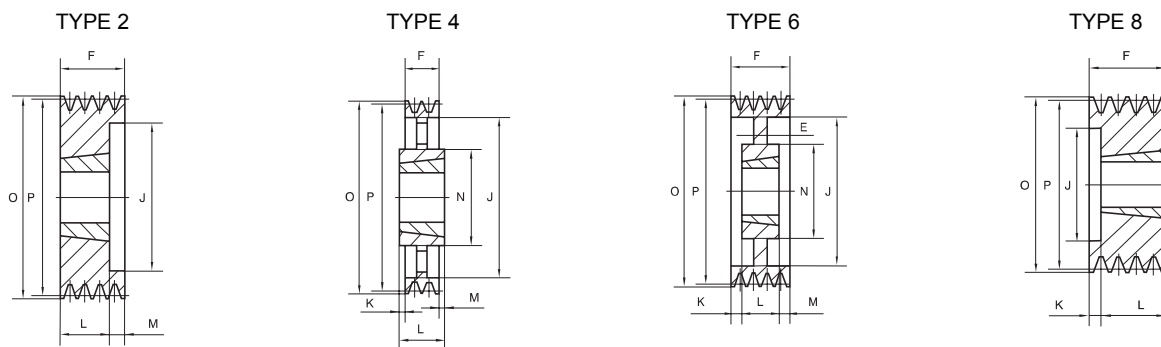
SPA/01	Grooves	PCD	O.D	Type	Bush	Max Bore	E	F	J	K	L	M	N
SPA63-01	1	63.0	68.5	9	1008	25	—	20	—	18	22	—	—
SPA67-01	1	67.0	72.5	1	1008	25	—	20	—	—	22	2	62
SPA71-01	1	71.0	76.5	1	1008	25	—	20	—	—	22	2	62
SPA75-01	1	75.0	80.5	1	1008	28	—	20	—	—	22	2	62
SPA80-01	1	80.0	85.5	1	1210	32	—	20	—	—	22	2	75
SPA85-01	1	85.0	90.5	1	1210	32	—	20	—	—	25	5	75
SPA90-01	1	90.0	95.5	1	1210	32	—	20	—	—	25	5	75
SPA95-01	1	95.0	100.5	1	1610	42	—	20	—	—	25	5	75
SPA100-01	1	100.0	105.5	1	1610	42	—	20	—	—	25	5	75
SPA106-01	1	106.0	111.5	1	1610	42	—	20	—	—	25	5	75
SPA112-01	1	112.0	117.5	1	1610	42	—	20	—	—	25	5	75
SPA118-01	1	118.0	123.5	1	1610	42	—	20	—	—	25	5	75
SPA125-01	1	125.0	130.5	1	1610	42	—	20	—	—	25	5	75
SPA132-01	1	132.0	137.5	1	1610	42	—	20	—	—	25	5	75
SPA140-01	1	140.0	145.5	1	1610	42	—	20	—	—	25	5	75
SPA150-01	1	150.0	155.5	1	1610	42	—	20	—	—	25	5	75
SPA160-01	1	160.0	165.5	1	1610	42	—	20	—	—	25	5	75
SPA170-01	1	170.0	175.5	7	1610	42	10	20	137	—	25	5	75
SPA180-01	1	180.0	185.5	7	1610	42	10	20	147	—	25	5	75
SPA190-01	1	190.0	195.5	7	1610	42	10	20	157	—	25	5	75
SPA200-01	1	200.0	205.5	7	2012	50	10	20	167	—	32	12	95
SPA212-01	1	212.0	217.5	7	2012	50	10	20	177	—	32	12	100
SPA224-01	1	224.0	229.5	7	2012	50	10	20	190	—	32	12	95
SPA250-01	1	250.0	255.5	4	2012	50	—	20	216	—	32	12	95
SPA280-01	1	280.0	285.5	4	2012	50	—	20	246	—	32	12	95
SPA315-01	1	315.0	320.5	4	2012	50	—	20	281	—	32	12	95
SPA355-01	1	355.0	360.5	4	2012	50	—	20	321	—	32	12	95
SPA400-01	1	400.0	405.5	4	2012	50	—	20	366	—	32	12	95
SPA450-01	1	450.0	455.5	4	2012	50	—	20	416	—	32	12	95
SPA450-01	1	450.0	505.5	4	2517	60	—	20	466	—	45	25	120
SPA630-01	1	630.0	635.0	4	2517	60	—	20	596	—	45	25	120

SPA/02



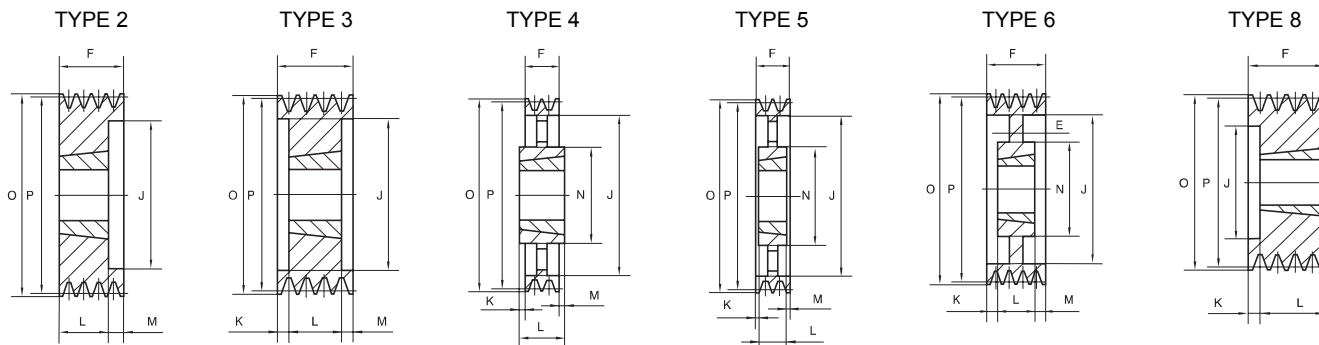
SPA/02	Grooves	PCD	O.D	Type	Bush	Max Bore	E	F	J	K	L	M	N
SPA63-02	2	63.0	68.5	9	1008	28	—	35	36	33	22	—	—
SPA67-02	2	67.0	72.5	8	1008	28	—	35	37	13	22	—	—
SPA71-02	2	71.0	76.5	8	1008	28	—	35	40	13	22	—	—
SPA75-02	2	75.0	80.5	8	1008	28	—	35	44	10	22	—	—
SPA80-02	2	80.0	85.5	8	1210	32	—	35	47	10	25	—	—
SPA85-02	2	85.0	90.5	8	1210	32	—	35	52	10	25	—	—
SPA90-02	2	90.0	95.5	8	1108	42	—	35	60	10	22	—	—
SPA95-02	2	95.0	100.5	8	1210	42	—	35	65	10	22	—	—
SPA100-02	2	100.0	105.5	8	1210	42	—	35	70	10	25	—	—
SPA106-02	2	106.0	111.5	8	1610	42	—	35	76	10	25	—	—
SPA112-02	2	112.0	117.5	8	1610	42	—	35	82	10	25	—	—
SPA118-02	2	118.0	123.5	8	1610	42	—	35	88	10	25	—	—
SPA125-02	2	125.0	130.5	8	1610	42	—	35	95	10	25	—	—
SPA132-02	2	132.0	137.5	8	2012	50	—	35	102	3	32	—	—
SPA140-02	2	140.0	145.5	8	2012	50	—	35	110	3	32	—	—
SPA150-02	2	150.0	155.5	8	2012	50	—	35	120	3	32	—	—
SPA160-02	2	160.0	165.5	8	2012	50	—	35	130	3	32	—	—
SPA170-02	2	170.0	175.5	7	2012	50	12	35	137	3	32	—	95
SPA180-02	2	180.0	185.5	6	2012	50	12	35	147	1.5	32	1.5	95
SPA190-02	2	190.0	190.5	6	2012	50	12	35	157	1.5	32	1.5	95
SPA200-02	2	200.0	205.5	7	2517	60	12	35	167	5	45	5	120
SPA212-02	2	212.0	217.5	7	2517	60	12	35	177	5	45	5	120
SPA224-02	2	224.0	229.5	7	2517	60	12	35	190	5	45	5	120
SPA250-02	2	250.0	255.5	4	2517	60	—	35	216	5	45	5	120
SPA280-02	2	280.0	285.5	4	2517	60	—	35	246	—	45	10	120
SPA315-02	2	315.0	320.5	4	2517	60	—	35	281	—	45	10	120
SPA355-02	2	355.0	360.5	4	2517	60	—	35	321	—	45	10	120
SPA400-02	2	400.0	405.5	4	2517	60	—	35	366	—	45	10	120
SPA450-02	2	450.0	455.5	4	2517	60	—	35	416	—	45	10	120
SPA500-02	2	500.0	505.5	4	2517	60	—	35	466	—	45	10	120
SPA560-02	2	560.0	564.0	4	3020	75	—	35	526	—	45	16	150
SPA630-02	2	630.0	634.0	4	3020	75	—	35	596	—	45	16	150

SPA/03



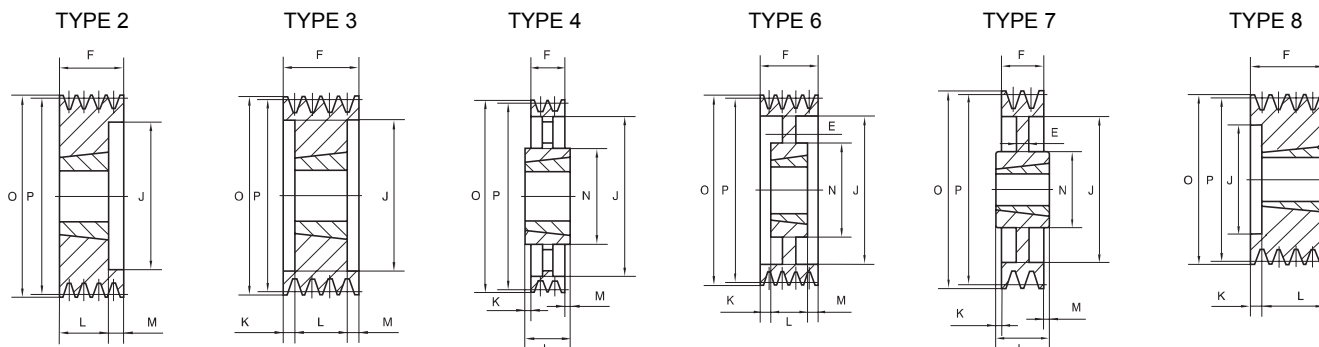
SPA/03	Grooves	PCD	O.D	Type	Bush	Max Bore	E	F	J	K	L	M	N
SPA71-03	3	71.0	76.5	8	1108	28	—	50	40	28	22	—	—
SPA75-03	3	75.0	80.5	8	1210	32	—	50	44	25	25	—	—
SPA80-03	3	80.0	85.5	8	1210	32	—	50	47	25	25	—	—
SPA85-03	3	85.0	90.5	8	1210	32	—	50	52	25	25	—	—
SPA90-03	3	90.0	95.5	8	1610	42	—	50	60	25	25	—	—
SPA95-03	3	95.0	100.5	8	1610	42	—	50	65	25	25	—	—
SPA100-03	3	100.0	105.5	8	1610	42	—	50	70	—	25	25	—
SPA106-03	3	106.0	111.5	8	1610	42	—	50	76	—	25	25	—
SPA112-03	3	112.0	117.5	8	2012	50	—	50	79	18	32	—	—
SPA118-03	3	118.0	123.5	8	2012	50	—	50	85	—	32	18	—
SPA125-03	3	125.0	130.5	2	2012	50	—	50	92	—	32	18	—
SPA132-03	3	132.0	137.5	2	2012	50	—	50	99	—	32	18	—
SPA140-03	3	140.0	145.5	8	2517	60	—	50	107	5	45	—	—
SPA150-03	3	150.0	155.5	8	2517	60	—	50	117	5	45	—	—
SPA160-03	3	160.0	165.5	8	2517	60	—	50	127	5	45	—	—
SPA170-03	3	170.0	175.5	8	2517	60	—	50	137	5	45	—	—
SPA180-03	3	180.0	185.5	8	2517	60	—	50	147	5	45	—	—
SPA190-03	3	190.0	195.5	6	2517	60	15	50	157	5	45	—	120
SPA200-03	3	200.0	205.5	6	2517	60	15	50	167	2.5	45	2.5	120
SPA212-03	3	212.0	217.5	6	2517	60	15	50	178	2.5	45	2.5	120
SPA224-03	3	224.0	229.5	6	2517	60	15	50	190	2.5	45	2.5	120
SPA250-03	3	250.0	255.5	4	2517	60	—	50	216	2.5	45	2.5	120
SPA280-03	3	280.0	285.5	4	2517	60	—	50	246	2.5	45	2.5	120
SPA315-03	3	315.0	320.5	4	3020	75	—	50	281	0.5	51	0.5	150
SPA355-03	3	355.0	360.5	4	3020	75	—	50	321	0.5	51	0.5	150
SPA400-03	3	400.0	405.5	4	3020	75	—	50	366	0.5	51	0.5	150
SPA450-03	3	450.0	455.5	4	3020	75	—	50	416	0.5	51	0.5	150
SPA500-03	3	500.0	505.5	4	3020	75	—	50	466	0.5	51	0.5	150
SPA560-03	3	560.0	565.5	4	3020	75	—	50	526	0.5	51	0.5	150
SPA630-03	3	630.0	635.5	4	3020	75	—	50	596	0.5	51	0.5	150
SPA800-03	3	800.0	805.5	4	3535	90	—	50	766	19.5	89	19.5	170
SPA1000-03	3	1000.0	1005.5	4	3535	90	—	50	966	19.5	89	19.5	170

SPA/04



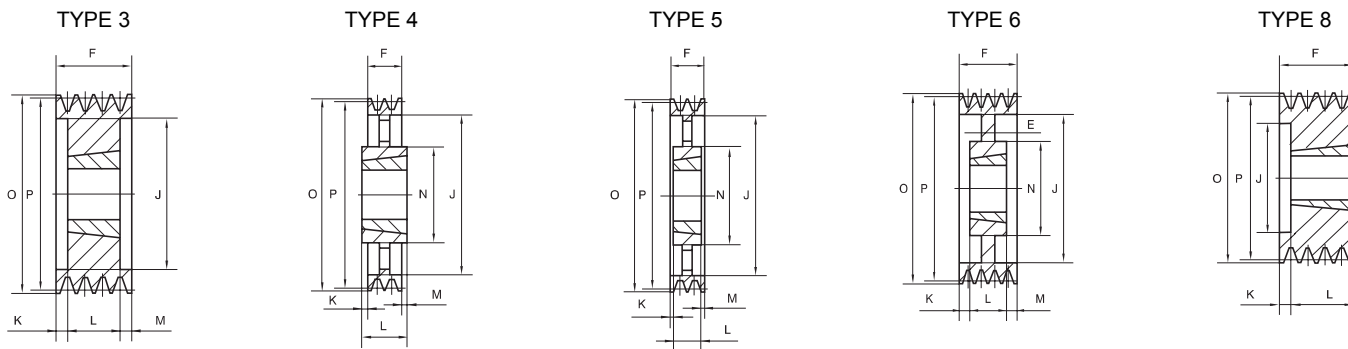
SPA/04	Grooves	PCD	O.D	Type	Bush	Max Bore	E	F	J	K	L	M	N
SPA90-04	4	90.0	95.5	3	1615	42	—	65	59	13.5	38	13.5	—
SPA95-04	4	95.0	100.5	3	1615	42	—	65	64	13.5	38	13.5	—
SPA100-04	4	100.0	105.5	2	1615	42	—	65	69	—	38	27	—
SPA106-04	4	106.0	111.5	8	2012	50	—	65	73	33	32	—	—
SPA112-04	4	112.0	117.5	8	2012	50	—	65	79	33	32	—	—
SPA118-04	4	118.0	123.5	2	2012	60	—	65	85	—	32	33	—
SPA125-04	4	125.0	130.5	2	2012	60	—	65	92	—	32	33	—
SPA132-04	4	132.0	137.5	2	2517	60	—	65	99	—	45	20	—
SPA140-04	4	140.0	145.5	2	2517	60	—	65	107	—	45	20	—
SPA150-04	4	150.0	155.5	2	2517	60	—	65	117	—	45	20	—
SPA160-04	4	160.0	165.5	2	2517	60	—	65	127	—	45	20	—
SPA170-04	4	170.0	175.5	2	2517	60	—	65	137	—	45	20	—
SPA180-04	4	180.0	185.5	2	2517	60	—	65	147	—	45	20	—
SPA190-04	4	190.0	190.5	2	2517	60	—	65	157	—	45	20	—
SPA200-04	4	200.0	205.5	2	3020	75	—	65	167	—	51	14	—
SPA212-04	4	212.0	217.5	2	3020	75	18	65	178	—	51	14	150
SPA224-04	4	224.0	229.5	6	3020	75	18	65	190	—	51	14	150
SPA250-04	4	250.0	255.5	6	3020	75	18	65	216	7	51	7	150
SPA280-04	4	280.0	285.5	6	3020	75	18	65	246	7	51	7	150
SPA315-04	4	315.0	320.5	6	3020	75	18	65	281	7	51	7	150
SPA355-04	4	355.0	360.5	5	3020	75	—	65	321	7	51	7	150
SPA400-04	4	400.0	405.5	5	3020	75	—	65	366	7	51	7	150
SPA450-04	4	450.0	455.5	5	3020	75	—	65	416	7	51	7	150
SPA500-04	4	500.0	505.5	5	3020	75	—	65	466	7	51	7	150
SPA560-04	4	560.0	565.5	4	3535	90	—	65	526	12	89	12	170
SPA630-04	4	630.0	635.5	4	3535	90	—	65	596	12	89	12	170
SPA800-04	4	800.0	805.5	4	3535	90	—	65	766	12	89	12	170
SPA1000-04	4	1000.0	1005.5	4	4040	100	—	65	966	18.5	102	18.5	200

SPA/05



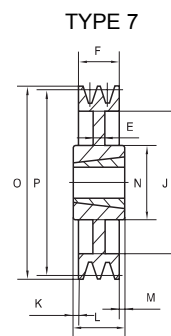
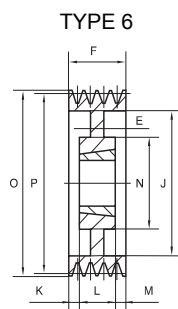
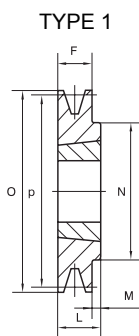
SPA/05	Grooves	PCD	O.D	Type	Bush	Max Bore	E	F	J	K	L	M	N
SPA100-05	5	100.0	105.5	2	1615	42	—	80	69	—	38	42	—
SPA106-05	5	106.0	111.5	8	2012	50	—	80	72	48	32	—	—
SPA112-05	5	112.0	117.5	8	2012	50	—	80	78	48	32	—	—
SPA118-05	5	118.0	123.5	2	2012	50	—	80	84	—	32	48	—
SPA125-05	5	125.0	130.5	3	2012	50	—	80	91	24	32	24	—
SPA132-05	5	132.0	137.5	3	2517	60	—	80	98	17.5	45	17.5	—
SPA140-05	5	140.0	145.5	3	2517	60	—	80	106	17.5	45	17.5	—
SPA150-05	5	150.0	155.5	3	2517	60	—	80	116	17.5	45	17.5	—
SPA160-05	5	160.0	165.5	3	2517	60	—	80	126	17.5	45	17.5	—
SPA170-05	5	170.0	175.5	3	2517	75	—	80	136	17.5	45	17.5	—
SPA180-05	5	180.0	185.5	3	3020	75	—	80	146	14.5	51	14.5	—
SPA190-05	5	190.0	195.5	3	3020	75	—	80	156	14.5	51	14.5	—
SPA200-05	5	200.0	205.5	3	3020	75	—	80	166	14.5	51	14.5	—
SPA212-05	5	212.0	217.5	2	3020	75	—	80	178	—	51	29	—
SPA224-05	5	224.0	229.5	6	3020	75	20	80	190	—	51	29	150
SPA250-05	5	250.0	255.5	6	3020	75	20	80	216	14.5	52	14.5	150
SPA280-05	5	280.0	285.5	7	3535	90	20	80	246	4.5	89	4.5	170
SPA315-05	5	315.0	320.5	4	3535	90	20	80	281	4.5	89	4.5	170
SPA355-05	5	355.0	360.5	4	3535	90	—	80	321	4.5	89	4.5	170
SPA400-05	5	400.0	405.5	4	3535	90	—	80	366	4.5	89	4.5	170
SPA450-05	5	450.0	455.5	4	3535	90	—	80	416	4.5	89	4.5	170
SPA500-05	5	500.0	505.5	4	3535	90	—	80	466	4.5	89	4.5	170
SPA560-05	5	560.0	565.5	4	3535	90	—	80	526	4.5	89	4.5	170
SPA630-05	5	630.0	635.5	4	3535	90	—	80	596	4.5	89	4.5	170
SPA800-05	5	800.0	805.5	4	4040	100	—	80	766	11	102	11	200
SPA1000-05	5	1000.0	1005.5	4	4545	100	—	80	966	17	114	17	225

SPA/06



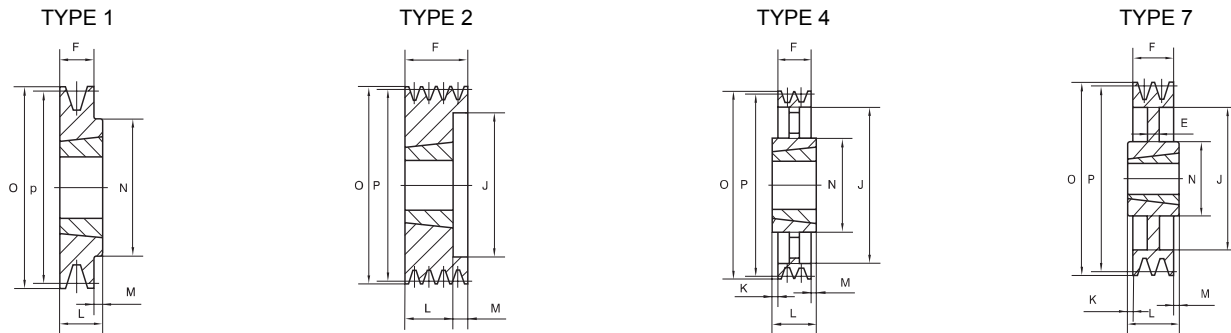
SPA/06	Grooves	PCD	O.D	Type	Bush	Max Bore	E	F	J	K	L	M	N
SPA100-06	6	6	105.5	3	1615	42	—	95	69	28.5	38	28.5	—
SPA106-06	6	6	111.5	8	2012	50	—	95	73	63	32	—	—
SPA112-06	6	6	117.5	8	2012	50	—	95	79	63	32	—	—
SPA118-06	6	6	123.5	8	2012	50	—	95	85	63	32	—	—
SPA125-06	6	6	130.5	3	2012	50	—	95	92	31.5	32	31.5	—
SPA132-06	6	132.0	137.5	3	2517	60	—	95	98	25	45	25	—
SPA140-06	6	140.0	145.5	3	2517	60	—	95	106	25	45	25	—
SPA150-06	6	150.0	155.5	3	2517	60	—	95	116	25	45	25	—
SPA160-06	6	160.0	165.5	3	2517	60	—	95	126	25	45	25	—
SPA 180-06	6	180.0	185.5	3	3020	75	—	95	146	25	51	25	—
SPA200-06	6	200.0	205.5	3	3020	75	—	95	116	22	51	22	—
SPA224-06	6	224.0	229.5	3	3020	75	—	95	190	22	51	22	—
SPA250-06	6	250.0	255.5	6	3020	75	25	95	216	22	51	22	150
SPA280-06	6	280.0	285.5	6	3020	90	25	95	246	3	89	3	170
SPA315-06	6	315.0	320.5	6	3020	90	25	95	281	3	89	3	170
SPA355-06	6	355.0	360.5	5	3535	90	—	95	321	3	89	3	170
SPA400-06	6	400.0	405.5	5	3535	90	—	95	366	3	89	3	170
SPA450-06	6	450.0	455.5	5	3535	90	—	95	416	3	89	3	170
SPA500-06	6	500.0	505.5	5	3535	90	—	95	466	3	89	3	170
SPA560-06	6	560.0	565.5	5	3535	90	—	95	526	3	89	3	170
SPA630-06	6	630.0	635.5	4	4040	100	—	95	596	3.5	102	3.5	200
SPA800-06	6	800.0	805.5	4	4040	100	—	95	596	3.5	102	3.5	200
SPA1000-06	6	1000.0	1005.5	4	4040	110	—	95	596	9.5	114	9.5	225

SPB/01



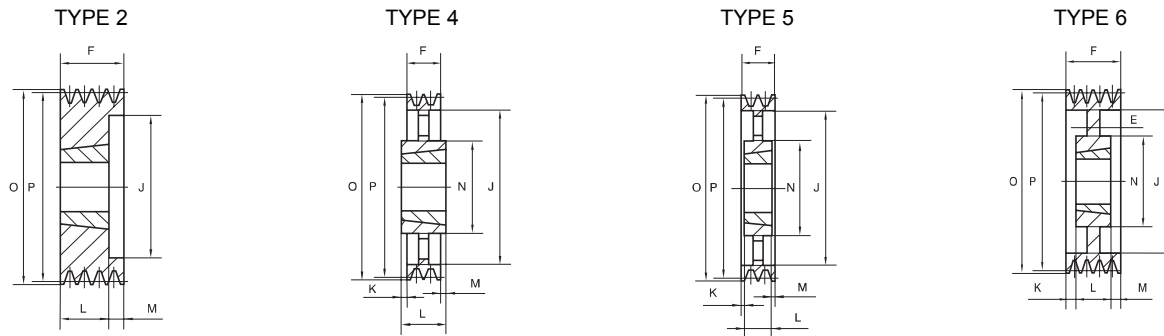
SPB/01	Grooves	PCD	O.D	Type	Bush	Max Bore	E	F	J	K	L	M	N
SPB100-01	1	100.0	107.0	1	1610	42	—	25	—	—	25	—	—
SPB106-01	1	106.0	113.0	1	1610	42	—	25	—	—	25	—	—
SPB112-01	1	112.0	119.0	1	1610	42	—	25	—	—	25	—	—
SPB118-01	1	118.0	125.0	1	1610	42	—	25	—	—	25	—	—
SPB125-01	1	125.0	132.0	1	1610	42	—	25	—	—	25	—	—
SPB132-01	1	132.0	139.0	1	1610	42	—	25	—	—	25	—	—
SPB140-01	1	140.0	147.0	1	1610	42	—	25	—	—	25	—	—
SPB150-01	1	150.0	157.0	1	1610	42	—	25	—	—	25	—	—
SPB160-01	1	160.0	167.0	7	1610	42	10	25	117	—	25	—	75
SPB170-01	1	170.0	177.0	7	1610	42	10	25	127	—	25	—	75
SPB180-01	1	180.0	187.0	6	1610	45	10	25	137	3.5	25	—	70
SPB190-01	1	190.0	197.0	7	2012	50	10	25	147	3.5	32	3.5	95
SPB200-01	1	200.0	207.0	7	2012	50	10	25	157	3.5	32	3.5	95
SPB212-01	1	212.0	219.0	7	2012	50	10	25	169	3.5	32	3.5	95
SPB224-01	1	224.0	231.0	7	2012	50	10	25	181	3.5	32	3.5	95
SPB236-01	1	236.0	243.0	4	2012	50	—	25	193	3.5	32	3.5	95
SPB250-01	1	250.0	257.0	4	2012	50	—	25	207	3.5	32	3.5	95
SPB280-01	1	280.0	287.0	4	2012	50	—	25	237	3.5	32	3.5	95
SPB300-01	1	300.0	307.0	7	2012	50	—	25	257	3.5	32	3.5	95
SPB315-01	1	315.0	322.0	4	2012	50	—	25	272	3.5	32	3.5	95

SPB/02



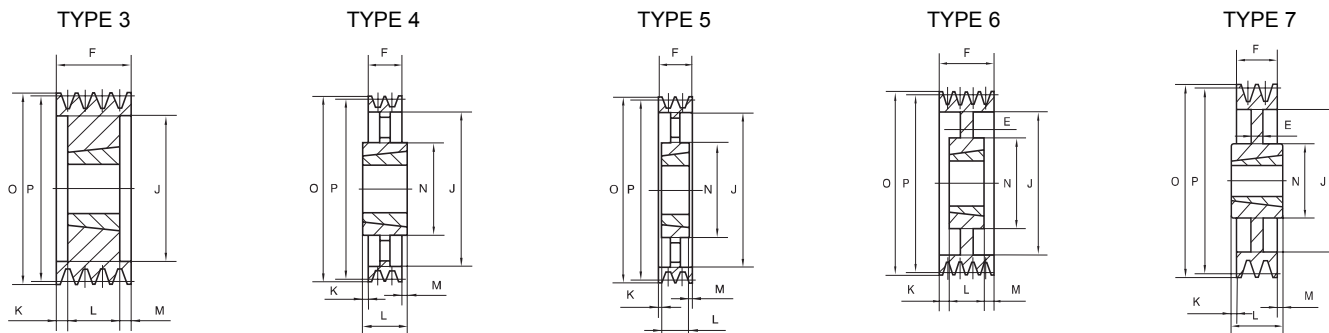
SPB/02	Grooves	PCD	O.D	Type	Bush	Max Bore (mm)	E	F	J	K	L	M	N
SPB100-02	2	100.0	107.0	2	1610	42	—	44	62	—	25	19	—
SPB106-02	2	106.0	113.0	2	1610	42	—	44	67	—	25	19	—
SPB112-02	2	112.0	119.0	2	1610	42	—	44	72	—	25	19	—
SPB118-02	2	118.0	125.0	2	1610	42	—	44	78	—	25	19	—
SPB125-02	2	125.0	132.0	2	2012	50	—	44	82	—	32	12	—
SPB132-02	2	132.0	139.0	2	2012	50	—	44	89	—	32	12	—
SPB140-02	2	140.0	147.0	2	2012	50	—	44	97	—	32	12	—
SPB150-02	2	150.0	157.0	2	2012	50	—	44	107	—	32	12	—
SPB160-02	2	160.0	167.0	2	2012	50	—	44	117	—	32	12	—
SPB170-02	2	170.0	177.0	2	2012	50	—	44	127	—	32	12	—
SPB180-02	2	180.0	187.0	1	2517	60	—	44	—	—	45	1	120
SPB190-02	2	190.0	197.0	1	2517	60	—	44	—	—	45	1	120
SPB200-02	2	200.0	207.0	7	2517	60	10	44	157	—	45	1	120
SPB212-02	2	212.0	219.0	7	2517	60	10	44	169	—	45	1	120
SPB224-02	2	224.0	231.0	7	2517	60	10	44	181	1	45	—	120
SPB236-02	2	236.0	243.0	7	2517	60	10	44	193	1	45	—	120
SPB250-02	2	250.0	257.0	4	2517	60	10	44	207	1	45	—	120
SPB280-02	2	280.0	287.0	4	2517	60	12	44	237	1	45	—	120
SPB300-02	2	300.0	307.0	4	2517	60	12	44	257	1	45	—	120
SPB315-02	2	315.0	322.0	4	2517	60	12	44	272	1	45	—	120
SPB335-02	2	335.0	342.0	4	2517	60	12	44	293	1	45	—	120
SPB355-02	2	355.0	362.0	4	3020	75	—	44	312	3.5	51	3.5	150
SPB400-02	2	400.0	407.0	4	3020	75	—	44	357	3.5	51	3.5	150
SPB450-02	2	450.0	457.0	4	3020	75	—	44	407	3.5	51	3.5	150
SPB500-02	2	500.0	507.0	4	3020	75	—	44	457	3.5	51	3.5	150
SPB560-02	2	560.0	567.0	4	3020	75	—	44	517	4	76	28	150
SPB630-02	2	630.0	637.0	4	3020	75	—	44	587	4	76	28	150

SPB/03



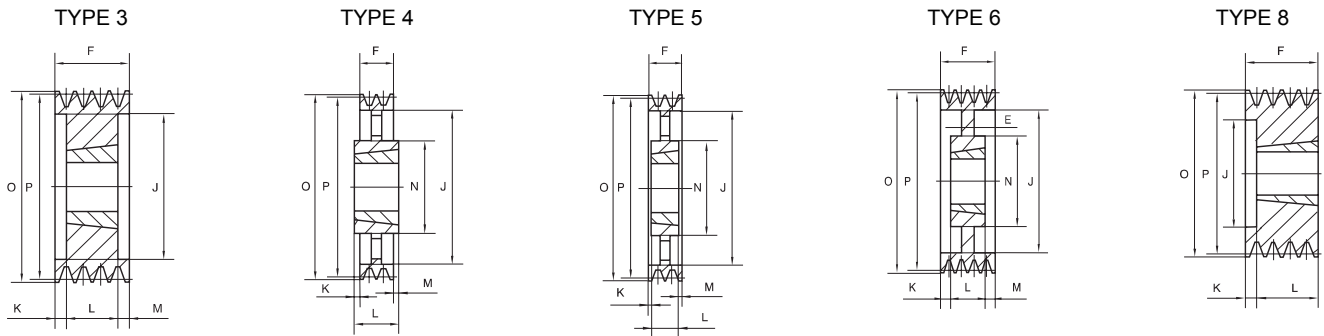
SPB/03	Grooves	PCD	O.D	Type	Bush	Max Bore (mm)	E	F	J	K	L	M	N
SPB100-03	3	100.0	107.0	2	1610	42	—	63	62	—	25	38	—
SPB106-03	3	106.0	113.0	2	1610	42	—	63	67	—	25	38	—
SPB112-03	3	112.0	119.0	2	1610	42	—	63	72	—	25	38	—
SPB118-03	3	118.0	125.0	2	1610	42	—	63	78	—	25	38	—
SPB125-03	3	125.0	132.0	2	2012	50	—	63	82	—	32	31	—
SPB132-03	3	132.0	139.0	2	2517	60	—	63	89	—	32	31	—
SPB140-03	3	140.0	147.0	2	2517	60	—	63	97	—	32	31	—
SPB150-03	3	150.0	157.0	2	2517	60	—	63	107	—	45	18	—
SPB160-03	3	160.0	167.0	2	2517	60	—	63	117	—	45	18	—
SPB170-03	3	170.0	177.0	2	2517	60	—	63	127	—	45	18	—
SPB180-03	3	180.0	187.0	2	2517	60	—	63	137	—	45	18	—
SPB190-03	3	190.0	197.0	2	2517	60	—	63	147	—	45	18	—
SPB200-03	3	200.0	207.0	6	2517	60	12	63	157	—	45	18	120
SPB212-03	3	212.0	219.0	6	2517	60	12	63	169	—	45	18	120
SPB224-03	3	224.0	231.0	6	2517	60	12	63	181	—	45	18	120
SPB236-03	3	236.0	243.0	6	2517	60	12	63	193	—	45	18	120
SPB250-03	3	250.0	257.0	6	3020	75	12	63	207	—	51	12	120
SPB280-03	3	280.0	287.0	6	3020	75	12	63	237	6	51	6	120
SPB300-03	3	300.0	307.0	6	3020	75	—	63	257	6	51	6	120
SPB315-03	3	315.0	322.0	6	3020	75	—	63	272	6	51	6	150
SPB335-03	3	335.0	342.0	5	3020	75	—	63	292	6	51	6	120
SPB355-03	3	355.0	362.0	5	3020	75	—	63	312	6	51	6	150
SPB400-03	3	400.0	407.0	4	3020	90	—	63	357	13	89	13	170
SPB450-03	3	450.0	457.0	4	3020	90	—	63	407	—	89	26	170
SPB500-03	3	500.0	507.0	4	3020	90	—	63	457	—	89	26	170
SPB560-03	3	560.0	567.0	4	3535	90	—	63	517	—	89	26	170
SPB630-03	3	630.0	637.0	4	3535	90	—	63	587	—	89	26	170
SPB710-03	3	710.0	717.0	4	3535	90	—	63	664	—	89	22	170
SPB800-03	3	800.0	807.0	4	3535	90	—	63	754	4	89	22	170
SPB900-03	3	900.0	907.0	4	3535	90	—	63	854	4	89	22	170
SPB1000-03	3	1000.0	1007.0	4	4040	100	—	63	954	6	102	33	200
SPB1250-03	3	1250.0	1257.0	4	4040	100	—	63	1204	6	102	33	200

SPB/04



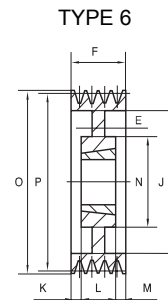
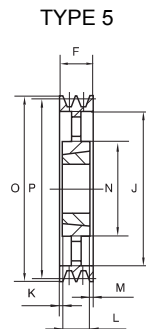
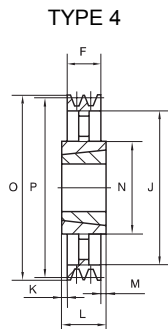
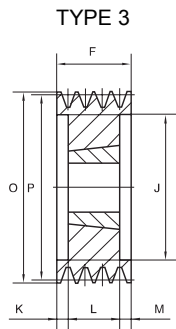
SPB/04	Grooves	PCD	O.D	Type	Bush	Max Bore (mm)	E	F	J	K	L	M	N
SPB125-04	4	125.0	132.0	3	2012	50	—	82	82	25	32	25	—
SPB132-04	4	132.0 140.0	139.0	3	2012	50	—	82	89	25	32	25	—
SPB140-04	4		147.0	3	2517	50	—	82	97	18.5	45	18.5	—
SPB150-04	4	150.0	157.0	3	2517	50	—	82	107	18.5	45	18.5	—
SPB160-04	4	160.0	167.0	3	2517	50	—	82	117	18.5	45	18.5	—
SPB170-04	4	170.0	177.0	3	2517	60	—	82	127	18.5	45	18.5	—
SPB180-04	4	180.0	187.0	3	2517	60	—	82	137	18.5	45	18.5	—
SPB190-04	4	190.0	197.0	3	2517	60	—	82	147	18.5	45	18.5	—
SPB200-04	4	200.0	207.0	3	3020	75	—	82	157	15.5	51	15.5	—
SPB212-04	4	212.0	219.0	3	3020	75	—	82	169	15.5	51	15.5	—
SPB224-04	4	224.0	231.0	3	3020	75	—	82	181	15.5	51	15.5	—
SPB236-04	4	236.0	243.0	3	3020	75	—	82	193	15.5	51	15.5	—
SPB250-04	4	250.0	257.0	6	3020	75	14	82	207	15.5	51	15.5	150
SPB280-04	4	280.0	287.0	5	3020	75	14	82	237	15.5	51	15.5	150
SPB300-04	4	300.0	307.0	5	3020	75	14	82	257	15.5	51	15.5	150
SPB315-04	4	315.0	322.0	7	3535	90	—	82	272	3.5	89	3.5	170
SPB335-04	4	335.0	342.0	4	3535	90	—	82	292	3.5	89	3.5	170
SPB355-04	4	355.0	362.0	4	3535	90	—	82	312	3.5	89	3.5	170
SPB400-04	4	400.0	407.0	4	3535	90	—	82	357	3.5	89	3.5	170
SPB450-04	4	450.0	457.0	4	3535	90	—	82	407	—	89	7	170
SPB500-04	4	500.0	507.0	4	3535	90	—	82	457	—	89	7	170
SPB560-04	4	560.0	567.0	4	3535	90	—	82	517	—	89	7	170
SPB630-04	4	630.0	637.0	4	3535	90	—	82	587	—	89	7	170
SPB710-04	4	710.0	717.0	4	3535	90	—	82	664	3.5	89	3.5	170
SPB800-04	4	800.0	807.0	4	4040	100	—	82	754	4	102	16	200
SPB900-04	4	900.0	907.0	4	4040	100	—	82	854	4	102	16	200
SPB1000-04	4	1000.0	1007.0	4	4040	100	—	82	954	4	102	16	200
SPB1250-04	4	1250.0	1257.0	4	4545	110	—	82	1204	6	114	26	225

SPB/05



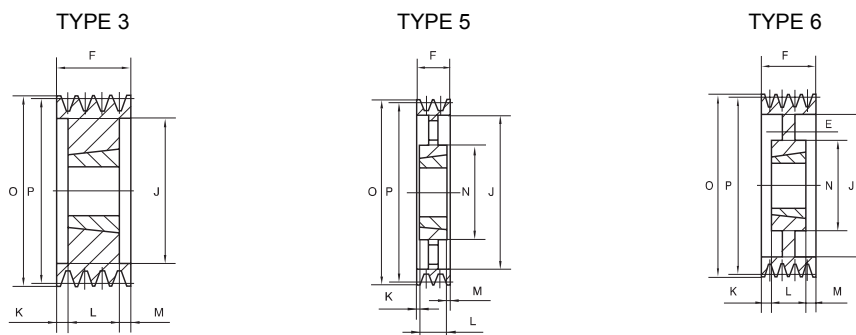
SPB/05	Grooves	PCD	O.D	Type	Bush	Max Bore (mm)	E	F	J	K	L	M	N
SPB125-05	5	125.0	132.0	8	2012	50	—	101	82	69	32	—	—
SPB132-05	5	132.0	139.0	8	2517	60	—	101	89	56	45	—	—
SPB140-05	5	140.0	147.0	3	2517	60	—	101	97	28	45	28	—
SPB150-05	5	150.0	157.0	3	2517	60	—	101	107	28	45	28	—
SPB160-05	5	160.0	167.0	3	2517	60	—	101	117	28	45	28	—
SPB170-05	5	170.0	177.0	3	3020	75	—	101	127	25	51	25	—
SPB180-05	5	180.0	187.0	3	3020	75	—	101	137	25	51	25	—
SPB190-05	5	190.0	197.0	3	3020	75	—	101	147	25	51	25	—
SPB200-05	5	200.0	207.0	3	3020	75	—	101	157	25	51	25	—
SPB212-05	5	212.0	219.0	3	3020	75	—	101	169	25	51	25	—
SPB224-05	5	224.0	231.0	3	3020	75	—	101	181	25	51	25	—
SPB236-05	5	236.0	243.0	3	3535	90	—	101	193	6	89	6	—
SPB250-05	5	250.0	257.0	3	3535	90	—	101	207	6	89	6	—
SPB280-05	5	280.0	287.0	6	3535	90	18	101	237	6	89	6	170
SPB300-05	5	300.0	307.0	6	3535	90	18	101	257	6	89	6	170
SPB315-05	5	315.0	322.0	6	3535	90	—	101	272	6	89	6	170
SPB335-05	5	335.0	342.0	6	3535	90	—	101	292	6	89	6	170
SPB355-05	5	355.0	362.0	5	3535	90	—	101	312	6	89	6	170
SPB400-05	5	400.0	407.0	5	3535	90	—	101	357	6	89	6	170
SPB450-05	5	450.0	457.0	5	3535	90	—	101	407	—	89	12	170
SPB500-05	5	500.0	507.0	5	3535	90	—	101	457	—	89	12	170
SPB560-05	5	560.0	567.0	4	4040	100	—	101	517	—	102	1	200
SPB630-05	5	630.0	637.0	4	4040	100	—	101	587	—	102	1	200
SPB710-05	5	710.0	717.0	4	4040	100	—	101	664	5.5	102	0.5	200
SPB800-05	5	800.0	807.0	4	4040	100	—	101	754	5.5	102	0.5	200
SPB900-05	5	900.0	907.0	4	4545	110	—	110	854	6.5	114	6.5	225
SPB1000-05	5	1000.0	1007.0	4	4545	110	—	110	954	6.5	114	6.5	225
SPB1250-05	5	1250.0	1257.0	4	4545	110	—	110	1204	6.5	114	6.5	225

SPB/06



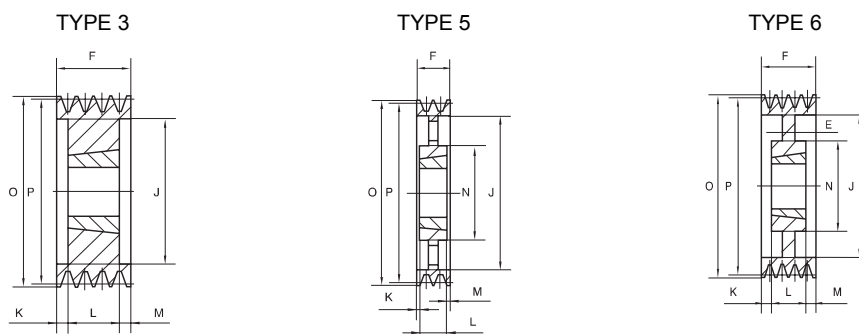
SPB/06	Grooves	PCD	O.D	Type	Bush	Max Bore (mm)	E	F	J	K	L	M	N
SPB140-06	6	140.0	147.0	3	2517	60	—	120	97	37.5	45	37.5	—
SPB150-06	6	150.0	157.0	3	2517	60	—	120	107	37.5	45	37.5	—
SPB160-06	6	160.0	167.0	3	3020	75	—	120	117	34.5	51	34.5	—
SPB170-06	6	170.0	177.0	3	3020	75	—	120	127	34.5	51	34.5	—
SPB180-06	6	180.0	187.0	3	3020	75	—	120	137	34.5	51	34.5	—
SPB190-06	6	190.0	197.0	3	3020	75	—	120	147	34.5	51	34.5	—
SPB200-06	6	200.0	207.0	3	3020	75	—	120	157	34.5	51	34.5	—
SPB212-06	6	212.0	219.0	3	3535	90	—	120	169	34.5	89	34.5	—
SPB224-06	6	224.0	231.0	3	3535	90	—	120	181	15.5	89	15.5	—
SPB236-06	6	236.0	243.0	3	3535	90	—	120	193	15.5	89	15.5	—
SPB250-06	6	250.0	257.0	3	3535	90	—	120	207	15.5	89	15.5	—
SPB280-06	6	280.0	287.0	6	3535	90	18	120	237	15.5	89	15.5	170
SPB300-06	6	300.0	307.0	6	3535	90	18	120	257	15.5	89	15.5	170
SPB315-06	6	315.0	322.0	6	3535	90	18	120	272	15.5	89	15.5	170
SPB335-06	6	335.0	342.0	6	3535	90	18	120	292	15.5	89	15.5	170
SPB355-06	6	355.0	362.0	6	3535	90	18	120	312	15.5	89	15.5	170
SPB400-06	6	400.0	407.0	5	3535	90	—	120	357	15.5	89	15.5	170
SPB450-06	6	450.0	457.0	5	4040	100	—	120	407	—	102	15.5	200
SPB500-06	6	500.0	507.0	5	4040	100	—	120	457	—	102	18	200
SPB560-06	6	560.0	567.0	5	4040	100	—	120	517	—	102	18	200
SPB630-06	6	630.0	637.0	5	4040	100	—	120	587	—	102	18	200
SPB710-06	6	710.0	717.0	5	4040	100	—	120	664	9	102	9	200
SPB800-06	6	800.0	807.0	5	4040	110	—	120	754	3	114	3	225
SPB900-06	6	900.0	907.0	5	4545	110	—	120	854	3	114	3	225
SPB1000-06	6	1000.0	1007.0	5	4545	110	—	120	954	3	114	3	225
SPB1250-06	6	1250.0	1257.0	4	5050	125	—	120	1204	3.5	127	3.5	245

SPB/08



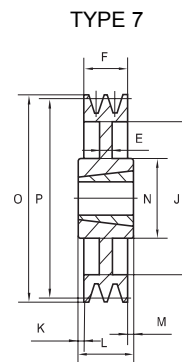
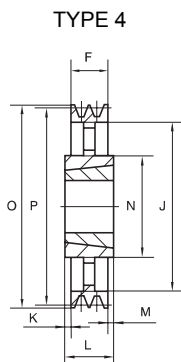
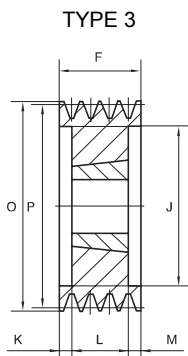
SPB/08	Grooves	PCD	O.D	Type	Bush	Max Bore (mm)	E	F	J	K	L	M	N
SPB140-08	8	140.0	147.0	3	2517	60	—	158	97	56.5	45	56.5	—
SPB160-08	8	160.0	167.0	3	3020	75	—	158	117	53.5	51	53.5	—
SPB170-08	8	170.0	177.0	3	3020	75	—	158	127	41	76	41	—
SPB180-08	8	180.0	187.0	3	3020	75	—	158	137	41	76	41	—
SPB190-08	8	190.0	197.0	3	3020	75	—	158	147	41	76	41	—
SPB200-08	8	200.0	207.0	3	3020	90	—	158	157	34.5	89	34.5	—
SPB212-08	8	212.0	219.0	3	3020	90	—	158	169	34.5	89	34.5	—
SPB224-08	8	224.0	231.0	3	3535	90	—	158	181	34.5	89	34.5	—
SPB236-08	8	236.0	243.0	3	3535	90	—	158	193	34.5	89	34.5	—
SPB250-08	8	250.0	257.0	3	3535	90	—	158	207	34.5	89	34.5	—
SPB280-08	8	280.0	287.0	3	3535	90	—	158	237	34.5	89	34.5	—
SPB300-08	8	300.0	307.0	6	3535	90	22	158	257	34.5	89	34.5	170
SPB315-08	8	315.0	322.0	6	3535	90	22	158	272	34.5	89	34.5	170
SPB335-08	8	335.0	342.0	6	3535	90	22	158	292	34.5	89	34.5	170
SPB355-08	8	355.0	362.0	6	3535	90	22	158	312	34.5	89	34.5	170
SPB400-08	8	400.0	407.0	6	4040	100	—	158	357	28	102	28	200
SPB450-08	8	450.0	457.0	5	4040	100	—	158	407	28	102	28	200
SPB500-08	8	500.0	507.0	5	4040	100	—	158	457	28	102	28	200
SPB560-08	8	560.0	567.0	5	4545	100	—	158	517	22	114	22	225
SPB630-08	8	630.0	637.0	5	4545	100	—	158	587	22	114	22	225
SPB710-08	8	710.0	717.0	5	4545	110	—	158	664	22	114	22	225
SPB800-08	8	800.0	807.0	5	4545	110	—	158	754	22	114	22	225
SPB900-08	8	900.0	907.0	5	4545	110	—	158	854	22	114	22	225
SPB1000-08	8	1000.0	1007.0	5	5050	125	—	158	954	15.5	127	15.5	245
SPB1250-08	8	1250.0	1257.0	5	5050	125	—	158	1204	15.5	127	15.5	245

SPB/10



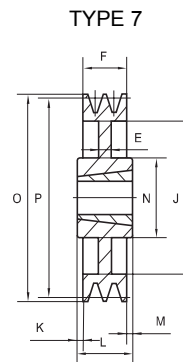
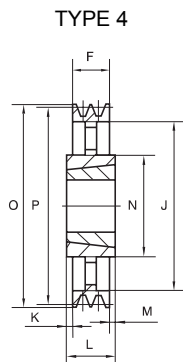
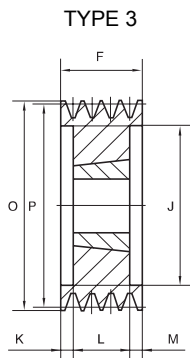
SPB/10	Grooves	PCD	O.D	Type	Bush	Max Bore (mm)	E	F	J	K	L	M	N
SPB224-10	10	224.0	231.0	3	3535	90	—	196	181	56.5	45	53.5	—
SPB236-10	10	236.0	243.0	3	3535	90	—	196	193	53.5	51	53.5	—
SPB250-10	10	250.0	257.0	3	3535	90	—	196	207	41	76	53.5	—
SPB280-10	10	280.0	287.0	3	3535	90	—	196	237	41	76	53.5	—
SPB315-10	10	300.0	307.0	3	3535	90	25	196	257	41	76	53.5	170
SPB335-10	10	335.0	342.0	6	4040	100	25	196	292	47	102	47	200
SPB355-10	10	355.0	362.0	6	4040	100	25	196	312	47	102	47	200
SPB400-10	10	400.0	407.0	5	4040	100	—	196	357	47	102	47	200
SPB450-10	10	450.0	457.0	5	4545	110	—	196	407	41	114	41	225
SPB500-10	10	500.0	507.0	5	4545	110	—	196	457	41	114	41	225
SPB560-10	10	560.0	567.0	6	4545	110	—	196	517	41	114	41	225
SPB630-10	10	630.0	637.0	6	4545	110	—	196	587	41	114	41	225
SPB710-10	10	710.0	717.0	6	4545	110	—	196	664	41	114	41	225
SPB800-10	10	800.0	807.0	6	5050	125	—	196	754	41	114	41	225
SPB900-10	10	900.0	907.0	6	5050	125	—	196	854	34.5	127	34.5	225
SPB1000-10	10	1000.0	1007.0	5	5050	125	—	196	954	34.5	127	34.5	245

SPC/03



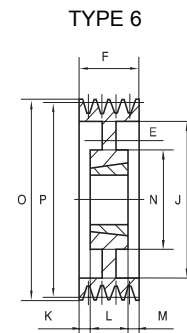
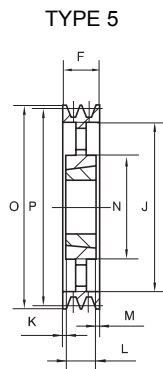
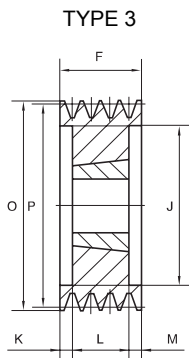
SPC/03	Grooves	PCD	O.D	Type	Bush	Max Bore (mm)	E	F	J	K	L	M	N
SPC200-03	3	200.0	209.6	3	2517	60	—	85	145	20	45	20	—
SPC212-03	3	212.0	221.6	3	3020	75	—	85	157	17	51	17	—
SPC224-03	3	224.0	233.6	3	3020	75	—	85	169	17	51	17	—
SPC236-03	3	236.0	245.6	3	3020	75	—	85	181	17	51	17	—
SPC250-03	3	250.0	259.6	7	3020	75	18	85	195	17	51	17	150
SPC265-03	3	265.0	274.6	7	3535	90	18	85	210	—	89	4	150
SPC280-03	3	280.0	289.6	7	3535	90	18	85	225	—	89	4	170
SPC300-03	3	300.0	309.6	7	3535	90	18	85	245	2	89	2	170
SPC315-03	3	315.0	324.6	7	3535	90	18	85	260	2	89	2	170
SPC335-03	3	335.0	344.6	7	3535	90	18	85	280	2	89	2	170
SPC355-03	3	355.0	364.0	4	3535	90	—	85	300	2	89	2	170
SPC375-03	3	375.0	384.6	4	3535	90	—	85	320	2	89	2	170
SPC400-03	3	400.0	409.6	4	3535	90	—	85	344	2	89	2	170
SPC425-03	3	425.0	434.6	4	3535	90	—	85	369	2	89	2	170
SPC450-03	3	450.0	459.6	4	3535	90	—	85	394	2	89	2	170
SPC475-03	3	475.0	484.6	4	3535	90	—	85	419	2	89	2	170
SPC500-03	3	500.0	509.6	4	3535	90	—	85	444	2	89	2	170
SPC500-03	3	530.0	539.6	4	3535	90	—	85	474	2	89	2	170
SPC560-03	3	560.0	569.6	4	3535	90	—	85	504	2	89	2	170
SPC630-03	3	630.0	639.6	4	4040	100	—	85	574	8.5	102	8.5	200
SPC800-03	3	800.0	809.6	4	4545	110	—	85	737	4	114	25	225
SPC1000-03	3	1000.0	1009.6	4	5050	125	—	85	937	8	127	34	245
SPC1250-03	3	1250.0	1259.6	4	5050	125	—	85	1187	8	127	34	245

SPC/04



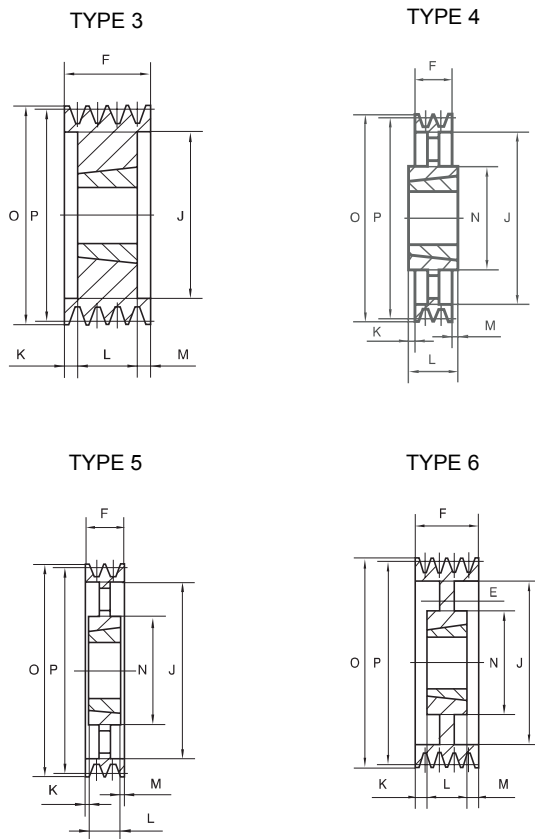
SPC/04	Grooves	PCD	O.D	Type	Bush	Max Bore (mm)	E	F	J	K	L	M	N
SPC200-04	4	200.0	209.6	3	2517	75	—	111	145	30	51	20	—
SPC212-04	4	212.0	221.6	3	3020	75	—	111	157	30	51	17	—
SPC224-04	4	224.0	233.6	3	3020	90	—	111	169	11	51	17	—
SPC236-04	4	236.0	245.6	3	3020	90	—	111	181	11	51	17	—
SPC250-04	4	250.0	259.6	7	3020	90	20	111	195	11	51	17	150
SPC265-04	4	265.0	274.6	7	3535	90	18	111	210	—	89	4	150
SPC280-04	4	280.0	289.6	7	3535	90	18	111	225	—	89	4	170
SPC300-04	4	300.0	309.6	7	3535	90	18	111	245	2	89	2	170
SPC315-04	4	315.0	324.6	7	3535	90	18	111	260	2	89	2	170
SPC335-04	4	335.0	344.6	7	3535	90	18	111	280	2	89	2	170
SPC355-04	4	355.0	364.0	4	3535	90	—	111	300	2	89	2	170
SPC375-04	4	375.0	384.6	4	3535	90	—	111	320	2	89	2	170
SPC400-04	4	400.0	409.6	4	3535	90	—	111	344	2	89	2	170
SPC425-04	4	425.0	434.6	4	3535	90	—	111	369	2	89	2	170
SPC450-04	4	450.0	459.6	4	3535	90	—	111	394	2	89	2	170
SPC475-04	4	475.0	484.6	4	3535	90	—	111	419	2	89	2	170
SPC500-04	4	500.0	509.6	4	3535	90	—	111	444	2	89	2	170
SPC500-04	4	530.0	539.6	4	3535	90	—	111	474	2	89	2	170
SPC560-04	4	560.0	569.6	4	3535	90	—	111	504	2	89	2	170
SPC630-04	4	630.0	639.6	4	4040	100	—	111	574	8.5	102	8.5	200
SPC710-04	4	710.0	719.6	4	5050	125	—	111	654	4	127	12	225
SPC800-04	4	800.0	809.6	4	5050	125	—	111	737	4	127	12	245
SPC1000-04	4	1000.0	1009.6	4	5050	125	—	111	937	4	127	12	245
SPC1250-04	4	1250.0	1259.6	4	5050	125	—	111	1187	4	127	12	245

SPC/05



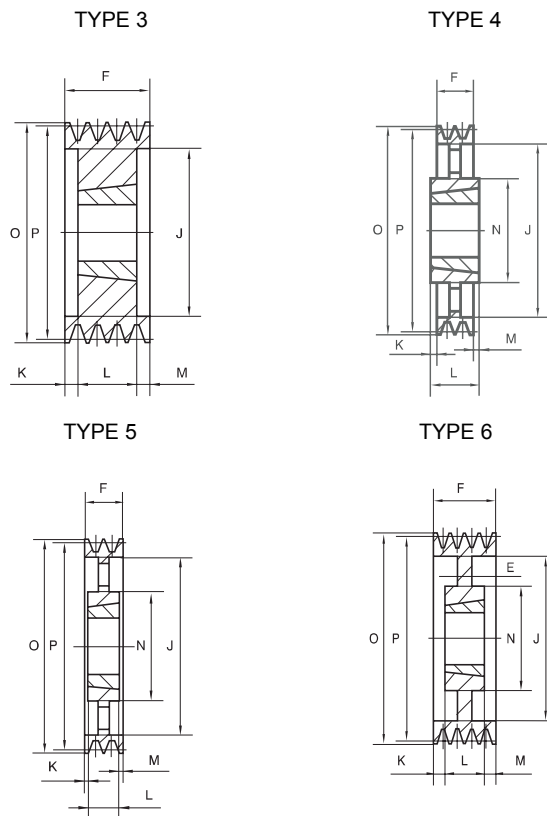
SPC/05	Grooves	PCD	O.D	Type	Bush	Max Bore (mm)	E	F	J	K	L	M	N
SPC200-05	5	200.0	209.6	3	3535	90	—	136	145	23.5	89	23.5	—
SPC212-05	5	212.0	221.6	3	3535	90	—	136	157	23.5	89	23.5	—
SPC224-05	5	224.0	255.6	3	3535	90	—	136	169	23.5	89	23.5	—
SPC256-05	5	256.0	245.6	3	3535	90	—	136	181	23.5	89	23.5	—
SPC250-05	5	250.0	259.6	3	3535	90	—	136	195	23.5	89	23.5	—
SPC265-05	5	265.0	274.6	6	3535	90	—	136	210	23.5	89	23.5	—
SPC280-05	5	280.0	289.6	6	3535	90	20	136	225	23.5	89	23.5	170
SPC300-05	5	300.0	509.6	6	3535	90	20	136	245	23.5	89	23.5	170
SPC315-05	5	315.0	524.6	6	3535	90	20	136	260	23.5	89	23.5	170
SPC335-05	5	335.0	544.6	6	3535	90	—	136	280	23.5	89	23.5	170
SPC355-05	5	355.0	364.0	5	3535	90	—	136	300	23.5	89	23.5	170
SPC375-05	5	375.0	384.6	5	3535	90	—	136	320	23.5	89	23.5	170
SPC400-05	5	400.0	409.6	5	3535	90	—	136	344	23.5	89	23.5	170
SPC425-05	5	425.0	434.6	5	4040	100	—	136	369	17	102	17	200
SPC450-05	5	450.0	459.6	5	4040	100	—	136	394	17	102	17	200
SPC475-05	5	475.0	484.6	5	4040	100	—	136	419	17	102	17	200
SPC500-05	5	500.0	509.6	5	4040	100	—	136	444	17	102	17	200
SPC500-05	5	550.0	559.6	5	4040	100	—	136	474	17	102	17	200
SPC560-05	5	560.0	569.6	5	4040	110	—	136	504	11	114	11	225
SPC650-05	5	650.0	659.6	5	5050	125	—	136	574	4.5	127	4.5	245
SPC710-05	5	710.0	719.6	5	5050	125	—	136	654	4.5	127	4.5	245
SPC800-05	5	800.0	809.6	5	5050	125	—	136	757	4.5	127	4.5	245
SPC1000-05	5	1000.0	1009.6	5	5050	125	—	136	957	4.5	127	4.5	245
SPC1250-05	5	1250.0	1259.6	5	5050	125	—	136	1187	4.5	127	4.5	245

SPC/06



SPC/06	Grooves	PCD	O.D	Type	Bush	Max Bore (mm)	E	F	J	K	L	M	N
SPC200-06	6	200.0	209.6	3	3535	90	—	162	145	36.5	89	36.5	—
SPC212-06	6	212.0	221.6	3	3535	90	—	162	157	36.5	89	36.5	—
SPC224-06	6	224.0	233.6	3	3535	90	—	162	169	36.5	89	36.5	—
SPC236-06	6	236.0	245.6	3	3535	90	—	162	181	36.5	89	36.5	—
SPC250-06	6	250.0	259.6	3	3535	90	—	162	195	36.5	89	36.5	—
SPC265-06	6	265.0	274.6	6	3535	90	—	162	210	36.5	89	36.5	—
SPC280-06	6	280.0	289.6	6	3535	90	—	162	225	36.5	89	36.5	—
SPC300-06	6	300.0	309.6	6	3535	90	20	162	245	36.5	89	36.5	178
SPC315-06	6	315.0	324.6	6	3535	90	20	162	260	36.5	89	36.5	178
SPC335-06	6	335.0	344.6	6	3535	90	20	162	280	36.5	89	36.5	178
SPC355-06	6	355.0	364.0	5	3535	90	—	162	300	36.5	89	36.5	178
SPC375-06	6	375.0	384.6	5	4040	100	—	162	320	30	102	30	210
SPC400-06	6	400.0	409.6	5	4040	100	—	162	344	30	102	30	210
SPC425-06	6	425.0	434.6	5	4040	100	—	162	369	30	114	30	225
SPC450-06	6	450.0	459.6	5	4040	100	—	162	394	30	114	30	225
SPC475-06	6	475.0	484.6	5	4545	110	—	162	419	24	114	24	225
SPC500-06	6	500.0	509.6	5	4545	110	—	162	444	24	114	24	225
SPC500-06	6	530.0	539.6	5	4545	110	—	162	474	24	114	24	225
SPC560-06	6	560.0	569.6	5	5050	125	—	162	504	17.5	127	17.5	245
SPC630-06	6	630.0	639.6	5	5050	125	—	162	574	17.5	127	17.5	245
SPC710-06	6	710.0	719.6	4	5050	125	—	162	654	17.5	127	17.5	245
SPC800-06	6	800.0	809.6	4	5050	125	—	162	737	17.5	127	17.5	245
SPC1000-06	6	1000.0	1009.6	4	5050	125	—	162	937	17.5	127	17.5	245
SPC1250-06	6	1250.0	1259.6	4	5050	125	—	162	1187	17.5	127	17.5	245

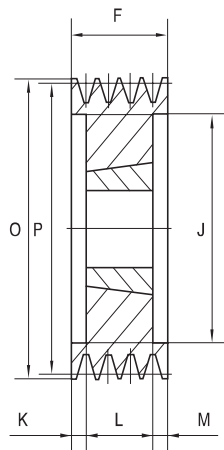
SPC/08



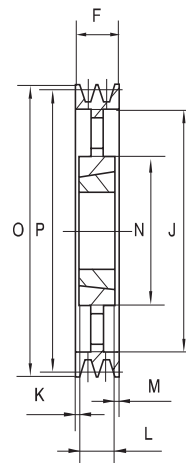
SPC/08	Grooves	PCD	O.D	Type	Bush	Max Bore (mm)	E	F	J	K	L	M	N
SPC200-08	8	200.0	209.6	3	3535	90	—	213	145	62	89	62	—
SPC212-08	8	212.0	221.6	3	3535	90	—	213	157	62	89	62	—
SPC224-08	8	224.0	233.6	3	3535	90	—	213	169	62	89	62	—
SPC236-08	8	236.0	245.6	3	3535	90	—	213	181	62	89	62	—
SPC250-08	8	250.0	259.6	3	3535	90	—	213	195	62	89	62	—
SPC265-08	8	265.0	274.6	6	3535	90	—	213	210	62	89	62	—
SPC280-08	8	280.0	289.6	6	3535	90	—	213	225	62	89	62	—
SPC300-08	8	300.0	309.6	3	4040	100	—	213	245	55.5	102	55.5	—
SPC315-08	8	315.0	324.6	3	4040	100	30	213	260	55.5	102	55.5	200
SPC335-08	8	335.0	344.6	6	4040	100	30	213	280	55.5	102	55.5	200
SPC355-08	8	355.0	364.0	6	4040	100	30	213	299	55.5	102	55.5	200
SPC375-08	8	375.0	384.6	6	4545	110	30	213	319	49.5	114	49.5	225
SPC400-08	8	400.0	409.6	5	4545	110	—	213	344	49.5	114	49.5	225
SPC425-08	8	425.0	434.6	5	5050	125	—	213	369	43	127	43	245
SPC450-08	8	450.0	459.6	5	5050	125	—	213	394	43	127	43	245
SPC475-08	8	475.0	484.6	4	5050	125	—	213	419	43	127	43	245
SPC500-08	8	500.0	509.6	4	5050	125	—	213	444	43	127	43	245
SPC530-08	8	530.0	539.6	4	5050	125	—	213	474	43	127	43	245
SPC560-08	8	560.0	569.6	4	5050	125	—	213	504	43	127	43	245
SPC630-08	8	630.0	639.6	4	5050	125	—	213	574	43	127	43	245
SPC710-08	8	710.0	719.6	5	5050	125	—	213	654	43	127	43	225
SPC800-08	8	800.0	809.6	5	5050	125	—	213	737	43	127	43	245
SPC1000-08	8	1000.0	1009.6	5	5050	125	—	213	937	43	127	43	245
SPC1250-08	8	1250.0	1259.6	5	5050	125	—	213	1187	43	127	43	245

SPC/10

TYPE 3



TYPE 5



SPC/10	Grooves	PCD	O.D	Type	Bush	Max Bore (mm)	E	F	J	K	L	M	N
SPC250-10	10	250.0	259.6	3	4040	100	—	264	195	81	102	84	—
SPC280-10	10	280.0	289.6	3	4040	100	—	264	225	81	102	81	—
SPC300-10	10	300.0	309.6	3	4545	110	—	264	245	75	114	75	—
SPC315-10	10	315.0	324.6	3	4545	110	—	264	260	75	114	75	—
SPC355-10	10	355.0	364.6	3	4545	110	—	264	300	75	114	75	—
SPC400-10	10	400.0	409.6	5	5050	125	—	264	344	68.5	127	68.5	225
SPC450-10	10	450.0	459.6	5	5050	125	—	264	394	68.5	127	68.5	245
SPC500-10	10	500.0	509.6	5	5050	125	—	264	444	68.5	127	68.5	245
SPC560-10	10	560.0	569.6	5	5050	125	—	264	504	68.5	127	68.5	245
SPC630-10	10	630.0	639.6	5	5050	125	—	264	574	68.5	127	68.5	245
SPC710-10	10	710.0	719.6	5	5050	125	—	264	654	68.5	127	68.5	225
SPC800-10	10	800.0	809.6	5	5050	125	—	264	737	68.5	127	68.5	245
SPC1000-10	10	1000.0	1009.6	5	5050	125	—	264	937	68.5	127	68.5	245
SPC1250-10	10	1250.0	1259.6	5	5050	125	—	264	1187	68.5	127	68.5	245

Aluminium V Pulleys

Aluminium Pulleys are lightweight and durable, making them a popular and frequently utilised product.

Known as an ideal option due to its tensile strength for heavy materials, durability and resistant to high temperature. Compared to other materials such as nylon or plastic, only aluminium pulleys have sufficient capacity for high horsepower drive systems making it a popular type of pulley that will give you a longer timing pulley and belt lifespan.



A Section Range

PCD		No of Grooves	Type	OD	W	HD	G	Over-All	LTB	Grub Screw	1/2"	5/8"	3/4"	1"
Inches	mm										No Key	3/16" Key	3/16" Key	1/4 " Key
1.25	32	1	1	41	19	35	12.7	38	34	5/16" UNC	√	√	√	
1.5	38	1	1	49	19	35	12.7	38	34	5/16" UNC	√	√	√	
1.75	44	1	1	54	19	39	12.7	38	34	5/16" UNC	√	√	√	
2	50	1	1	61	19	40	12.7	38	34	5/16" UNC	√	√	√	√
		2	3		34	41		55	49	5/16" UNC	√	√	√	√
2.25	57	1	1	67	19	39	12.7	38	33	5/16" UNC	√	√	√	√
2.5	63	1	1	74	19	43	12.7	55	33	5/16" UNC	√	√	√	√
		2	3		34	43		38	48	5/16" UNC	√	√	√	√
2.75	70	1	1	79	19	43	12.7	36	32	5/16" UNC	√	√	√	√
3	76	1	1	86	19	43	12.7	38	35	5/16" UNC	√	√	√	√
		2	3		34	49		55	43	5/16" UNC	√	√	√	√
3.25	82	1	1	92	19	45	12.7	48	35	5/16" UNC	√	√	√	√
3.5	89	1	1	99	19	44	12.7	36	35	5/16" UNC	√	√	√	√
		2	3		34	49		55	43	5/16" UNC	√	√	√	√
4	102	1	1	112	19	46	12.7	48	47	5/16" UNC	√	√	√	√
		2	3		34	46		50	42	5/16" UNC	√	√	√	√
4.5	114	1	1	124	19	47	12.7	38	35	5/16" UNC	√	√	√	√
		2	3		34	48		56	45	5/16" UNC	√	√	√	√
5	127	1	1	137	19	48	12.7	40	37	5/16" UNC	√	√	√	√
		2	3		34	49		51	41	5/16" UNC	√	√	√	√
5.5	140	1	2	150	19	49	12.7	40	36	5/16" UNC	√	√	√	√
		2	3		34	50		54	46	5/16" UNC	√	√	√	√
6	152	1	2	163	19	49	12.7	40	37	5/16" UNC	√	√	√	√
		2	4		34	55		53	44	5/16" UNC	√	√	√	√
6.5	165	1	2	176	19	52	12.7	40	37	5/16" UNC	√	√	√	√
7	178	1	2	189	19	57	12.7	40	38	5/16" UNC	√	√	√	√
		2	4		34	57		53	44	5/16" UNC	√	√	√	√
8	203	1	2	215	20	55	12.7	45	42	5/16" UNC	√	√	√	√
		2	4		34	55		68	47	5/16" UNC	√	√	√	√
9	229	1	2	248	20	55	12.7	44	42	5/16" UNC	√	√	√	√
		2	4		34	55		55	47	5/16" UNC	√	√	√	√
10	254	1	2	265	20	55	12.7	49	47	5/16" UNC	√	√	√	√
		2	4		34	55		59	49	5/16" UNC	√	√	√	√
12	305	1	2	315	20	58	12.7	48	45	5/16" UNC	√	√	√	√
		2	4		34	55		58	48	5/16" UNC	√	√	√	√
14	355	1	2	369	21	66	12.7	21	66	5/16" UNC	√	√	√	√
		2	4		34	67		34	67	5/16" UNC	√	√	√	√
15	381	1	2	393	20	67	12.7	62	60	5/16" UNC	√	√	√	√
16	406	1	2	420	22	66	12.7	60	59	5/16" UNC	√	√	√	√
		2	4		35	67		66	56	5/16" UNC	√	√	√	√
18	457	1	2	471	22	75	12.7	66	63	5/16" UNC	√	√	√	√
		2	4		35	75		70	60	5/16" UNC	√	√	√	√

B Section Range

PCD		No of Grooves	Type	OD	W	HD	G	Over-All	LTB	Grub Screw	1/2"	5/8"	3/4"	1"
Inches	mm										No Key	3/16" Key	3/16" Key	1/4" Key
2	50	1	1	63	24	40	16	44	38	5/16" UNC	√	√	√	√
		2	3		44	43		34	59	5/16" UNC	√	√	√	√
2.5	63	1	1	76	24	44	16	43	38	5/16" UNC	√	√	√	√
3	76	1	1	89	24	45	16	42	38	5/16" UNC	√	√	√	√
		2	3		45	50		65	51	5/16" UNC	√	√	√	√
3.5	89	1	1	102	24	50	17	43	35	5/16" UNC	√	√	√	√
		2	3		45	50		66	53	5/16" UNC	√	√	√	√
4	102	1	1	114	24	52	18	43	37	5/16" UNC	√	√	√	√
		2	3		45	70		66	50	5/16" UNC	√	√	√	√
4.5	114	1	1	127	24	52	19	41	36	5/16" UNC	√	√	√	√
		2	3		45	65		66	50	5/16" UNC	√	√	√	√
5	127	1	1	140	24	52	20	42	36	5/16" UNC	√	√	√	√
		2	3		45	60		77	55	5/16" UNC	√	√	√	√
5.5	140	1	1	152	24	53	21	46	40	5/16" UNC	√	√	√	√
		2	3		45	53		66	58	5/16" UNC	√	√	√	√
6	152	1	1	165	24	60	22	45	40	5/16" UNC	√	√	√	√
		2	3		45	58		62	50	5/16" UNC	√	√	√	√
7	178	1	1	190	24	49	23	49	43	5/16" UNC	√	√	√	√
		2	3		45	55		66	51	5/16" UNC	√	√	√	√
8	203	1	1	216	24	60	24	54	47	5/16" UNC	√		√	√
		2	3		45	63		69	55	5/16" UNC	√	√	√	√
9	229	1	2	241	24	53	25	53	47	5/16" UNC	√		√	√
		2	3		45	57		68	53	5/16" UNC	√	√	√	√
10	254	1	2	267	24	56	26	49	44	5/16" UNC	√		√	√
		2	4		45	57		64	51	5/16" UNC	√		√	√
12	305	1	2	318	24	65	27	48	46	5/16" UNC	√		√	√
		2	4		45	64		70	58	5/16" UNC	√	√	√	√
14	355	1	2	368	24	68	28	62	58	5/16" UNC				√
		2	4		45	67		74	69	5/16" UNC				
16	406	1	2	419	24	68	29	58	52	5/16" UNC	√			
		2	4		45	73		75	62	5/16" UNC			√	
18	457	1	2	470	24	67	30	65	64	5/16" UNC				√
		2	4		45	78		71	55	5/16" UNC	√			

M Section Range

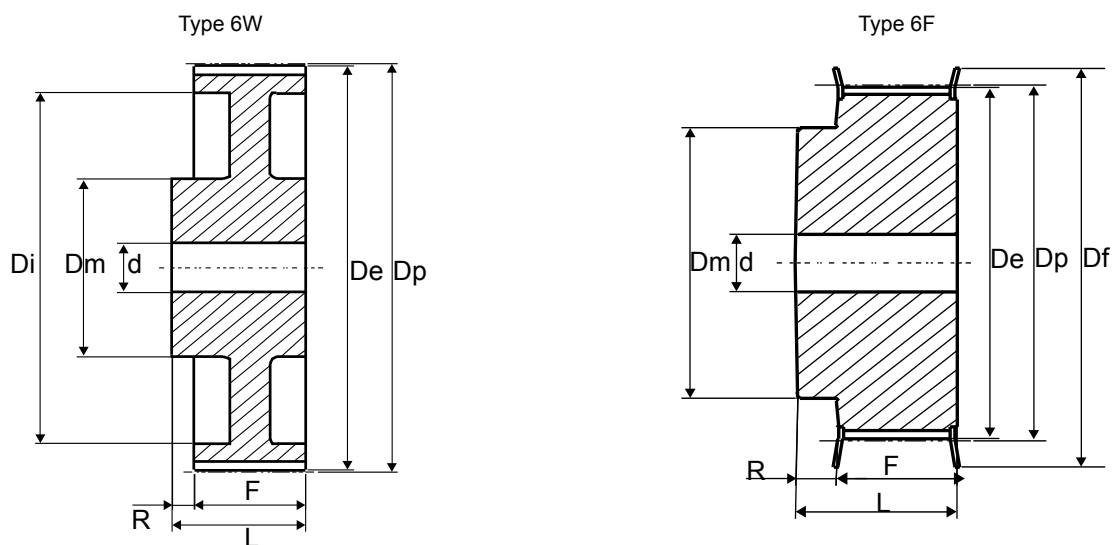
PCD		No of Grooves	Type	OD	W	HD	G	Over-All	LTB	Grub Screw	1/2"	5/8"	3/4"	1"
Inches	mm			mm							No Key	3/16" Key	3/16" Key	1/4 " Key
1.5	38	1	1	44	16	34	9	35	34	5/16" UNC	√	-	-	-
1.75		1	1	50	16	42	9	35	34	5/16" UNC	√	-	-	-
2	50	1	1	57	16	33	9	30	34	5/16" UNC	√	-	-	-
2.5	63	1	1	69	16	44	9	36	33	5/16" UNC	√	-	-	-
3	76	1	1	82	16	44	9	35	35	5/16" UNC	√	-	-	-

Timing Pulleys

TransDrive Timing Pulleys are available in both 8mm and 14mm Pitch options, with widths varying from 12mm to 90mm available.

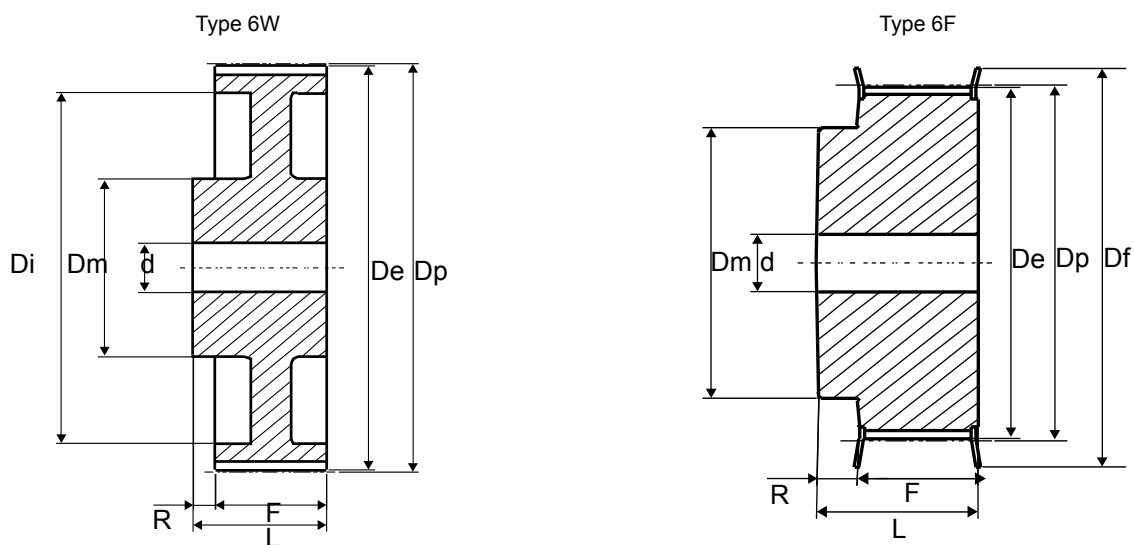


9mm



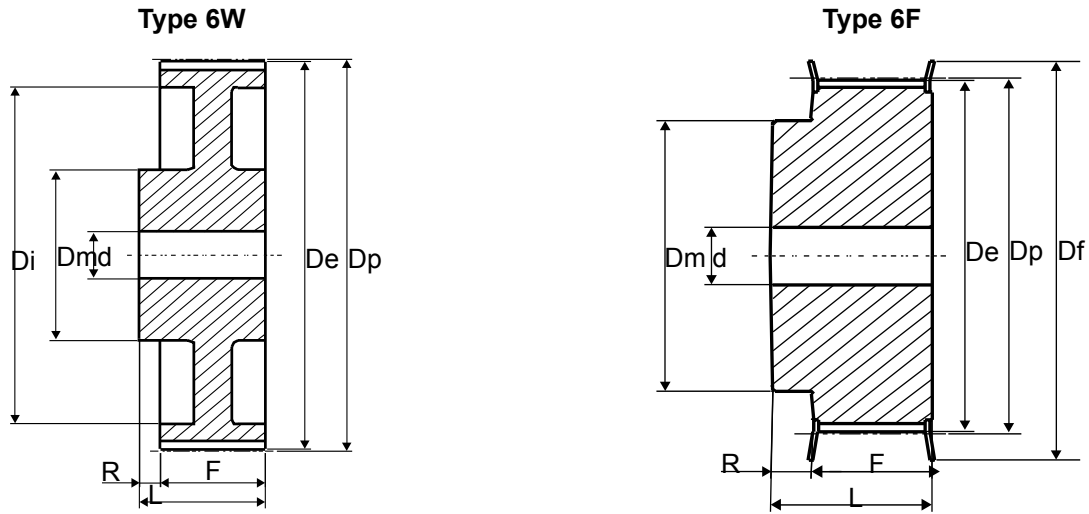
Part Code	Teeth	Type	Dp	De	Df	Dm	Di	F	L	d	Flange No.	Material
12-5M-09	12	6F	19.10	17.96	23	12	-	14.5	20	-	14	Steel
14-5M-09	14	6F	22.28	21.14	25	13	-	14.5	20	-	2	
15-5M-09	15	6F	23.87	22.73	28	16	-	14.5	20	-	4	
16-5M-09	16	6F	25.46	24.32	28	16.2	-	14.5	20	-	4	
18-5M-09	18	6F	28.65	27.51	32	20	-	14.5	20	-	6	
20-5M-09	20	6F	31.83	30.69	36	23	-	14.5	22.5	-	8	
21-5M-09	21	6F	33.42	32.28	38	24	-	14.5	22.5	-	9	
22-5M-09	22	6F	35.01	33.87	39	25.5	-	14.5	22.5	-	15	
24-5M-09	24	6F	38.20	37.06	42	27	-	14.5	22.5	-	13	
26-5M-09	26	6F	41.38	40.24	44	30	-	14.5	22.5	-	12	
28-5M-09	28	6F	44.56	43.42	48	30.5	-	14.5	22.5	-	11	
30-5M-09	30	6F	47.75	46.60	51	35	-	14.5	22.5	-	16	
32-5M-09	32	6F	50.93	49.79	54	38	-	14.5	22.5	8	18	
36-5M-09	36	6F	57.30	56.16	60	38	-	14.5	22.5	8	21	
40-5M-09	40	6F	63.66	62.52	71	38	-	14.5	22.5	8	25	
44-5M-09	44	6W	70.03	68.89	-	38	54	14.5	25.5	8	No Flanges	
48-5M-09	48	6W	76.39	75.25	-	45	61	14.5	25.5	8	No Flanges	
60-5M-09	60	6W	95.49	94.35	-	45	80	14.5	25.5	8	No Flanges	
72-5M-09	72	6W	114.59	113.45	-	45	100	14.5	25.5	8	No Flanges	

15mm



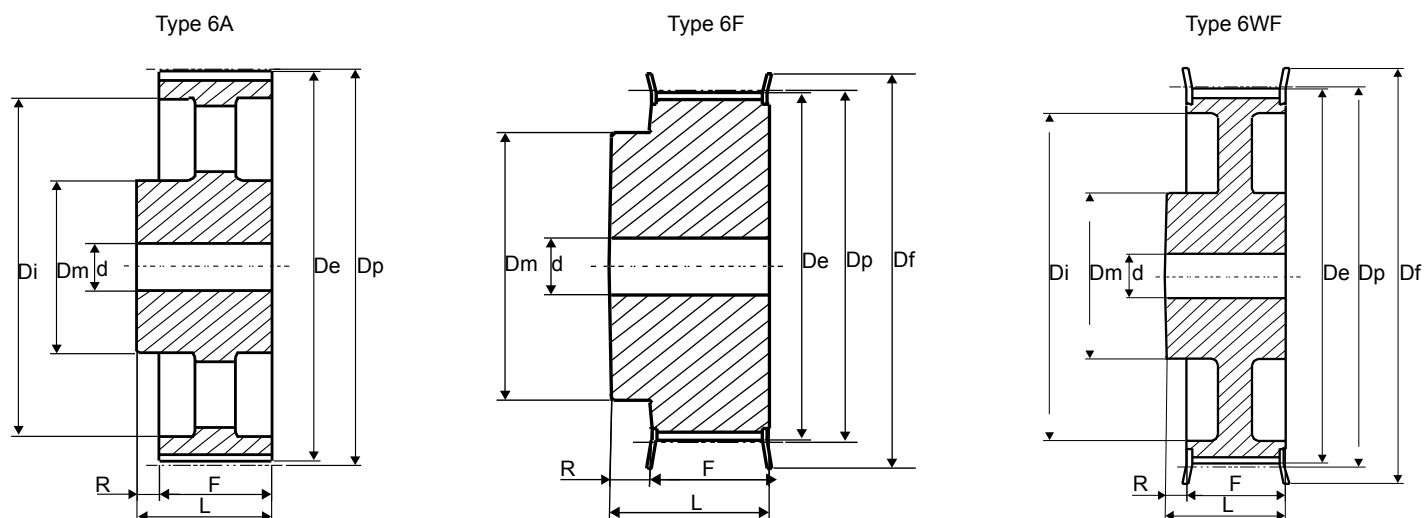
Part Code	Teeth	Type	Dp	De	Df	Dm	Di	F	L	d	Flange No.	Material
12-5M-15	12	6F	19.10	17.96	23	12	-	20.5	26	-	14	Steel
14-5M-15	14	6F	22.28	21.14	25	13	-	20.5	26	-	2	
15-5M-15	15	6F	23.87	22.73	28	16	-	20.5	26	-	4	
16-5M-15	16	6F	25.46	24.32	28	16.2	-	20.5	26	-	4	
18-5M-15	18	6F	28.65	27.51	32	20	-	20.5	26	-	6	
20-5M-15	20	6F	31.83	30.69	36	23	-	20.5	26	-	8	
21-5M-15	21	6F	33.42	32.28	38	24	-	20.5	26	-	9	
22-5M-15	22	6F	35.01	33.87	39	25.5	-	20.5	26	-	15	
24-5M-15	24	6F	38.20	37.06	42	27	-	20.5	28	-	13	
26-5M-15	26	6F	41.38	40.24	44	30	-	20.5	28	-	12	
28-5M-15	28	6F	44.56	43.42	48	30.5	-	20.5	28	-	11	
30-5M-15	30	6F	47.75	46.60	51	35	-	20.5	28	-	16	
32-5M-15	32	6F	50.93	49.79	54	38	-	20.5	28	8	18	
36-5M-15	36	6F	57.30	56.16	60	38	-	20.5	28	8	21	
40-5M-15	40	6F	63.66	62.52	71	38	-	20.5	28	8	25	
44-5M-15	44	6W	70.03	68.89	-	38	54	20.5	30	8	No Flanges	Aluminium
48-5M-15	48	6W	76.39	75.25	-	45	61	20.5	30	8	No Flanges	
60-5M-15	60	6W	95.49	94.35	-	45	80	20.5	30	8	No Flanges	
72-5M-15	72	6W	114.59	113.45	-	45	100	20.5	30	8	No Flanges	

25mm



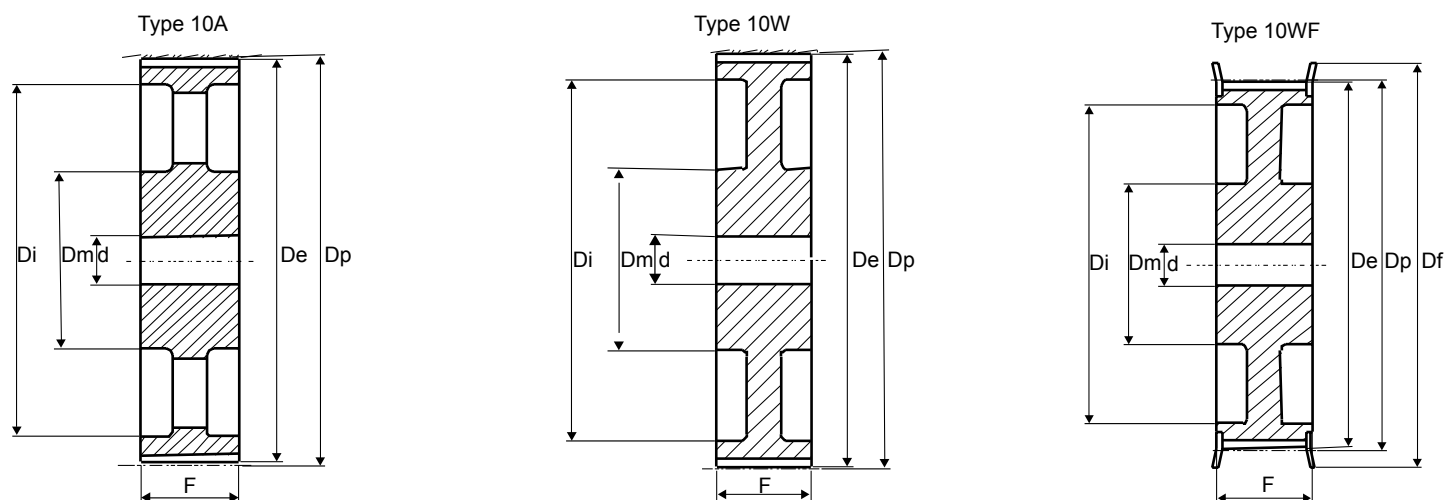
Part Code	Teeth	Type	Dp	De	Df	Dm	Di	F	L	d	Flange No.	Material
12-5M-25	12	6F	19.10	17.96	23	12	-	30.5	36	-	14	Steel
14-5M-25	14	6F	22.28	21.14	25	13	-	30.5	36	-	2	
15-5M-25	15	6F	23.87	22.73	28	16	-	30.5	36	-	4	
16-5M-25	16	6F	25.46	24.32	28	16.2	-	30.5	36	-	4	
18-5M-25	18	6F	28.65	27.51	32	20	-	30.5	36	-	6	
20-5M-25	20	6F	31.83	30.69	36	23	-	30.5	36	-	8	
21-5M-25	21	6F	33.42	32.28	38	24	-	30.5	38.5	-	9	
22-5M-25	22	6F	35.01	33.87	39	25.5	-	30.5	38.5	-	15	
24-5M-25	24	6F	38.20	37.06	42	27	-	30.5	38.5	-	13	
26-5M-25	26	6F	41.38	40.24	44	30	-	30.5	38.5	-	12	
28-5M-25	28	6F	44.56	43.42	48	30.5	-	30.5	38.5	-	11	
30-5M-25	30	6F	47.75	46.60	51	35	-	30.5	38.5	-	16	
32-5M-25	32	6F	50.93	49.79	54	38	-	30.5	38.5	8	18	
36-5M-25	36	6F	57.30	56.16	60	38	-	30.5	38.5	8	21	
40-5M-25	40	6F	63.66	62.52	71	38	-	30.5	38.5	8	25	
44-5M-25	44	6W	70.03	68.89	-	38	54	30.5	40.5	8	No Flanges	Cast Iron
48-5M-25	48	6W	76.39	75.25	-	45	61	30.5	40.5	8	No Flanges	
60-5M-25	60	6W	95.49	94.35	-	45	80	30.5	40.5	8	No Flanges	
72-5M-25	72	6W	114.59	113.45	-	45	100	30.5	40.5	8	No Flanges	

20mm



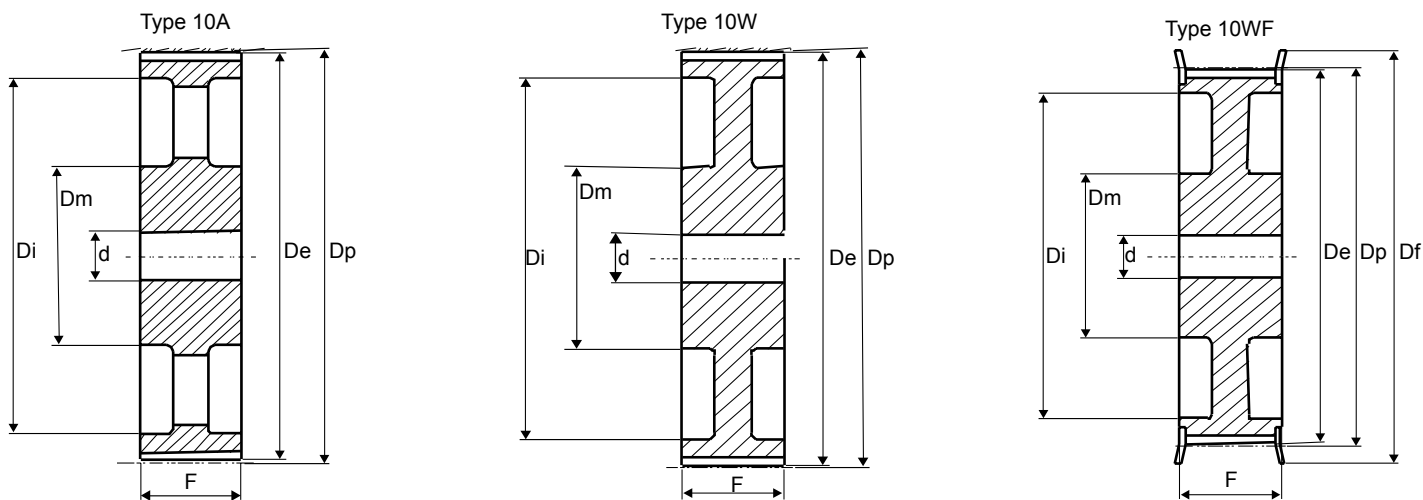
Part Code	Teeth	Type	Dp	De	Df	Dm	Di	F	L	d	Flange No.	Material
22-8M-20	22	6F	56.02	54.65	60	43	-	28	38	12	53	Steel
24-8M-20	24	6F	61.12	59.75	66	45	-	28	38	12	69	
26-8M-20	26	6F	66.21	64.84	70	48	-	28	38	12	61	
28-8M-20	28	6F	71.30	69.93	75	50	-	28	38	15	79	
30-8M-20	30	6F	76.39	75.02	83	55	-	28	38	15	73	
32-8M-20	32	6F	81.49	80.16	87	60	-	28	38	15	76	
34-8M-20	34	6F	86.58	85.22	91	70	-	28	38	15	66	
36-8M-20	36	6F	91.67	90.30	97	75	-	28	38	15	68	
38-8M-20	38	6F	96.77	95.39	102	75	-	28	38	15	70	
40-8M-20	40	6F	101.86	100.49	106	75	-	28	38	15	77	
44-8M-20	44	6F	112.05	110.67	120	75	-	28	38	15	75	
48-8M-20	48	6F	122.23	120.86	128	75	-	28	38	15	78	
56-8M-20	56	6WF	142.60	141.23	150	80	116	28	38	15	85	
64-8M-20	64	6WF	162.67	161.60	168	80	137	28	38	15	90	
72-8M-20	72	6WF	183.35	181.97	192	80	158	28	38	15	97	
80-8M-20	80	6W	203.72	202.35	-	90	180	28	38	15	No Flanges	Cast Iron
90-8M-20	90	6A	229.18	227.81	-	90	204	28	38	15	No Flanges	
112-8M-20	112	6A	285.21	283.83	-	90	254	28	38	18	No Flanges	
144-8M-20	144	6A	366.69	365.32	-	90	336	28	38	20	No Flanges	
168-8M-20	168	6A	427.81	426.44	-	100	400	28	38	20	No Flanges	
192-8M-20	192	6A	488.92	488.92	-	100	460	28	38	20	No Flanges	

30mm



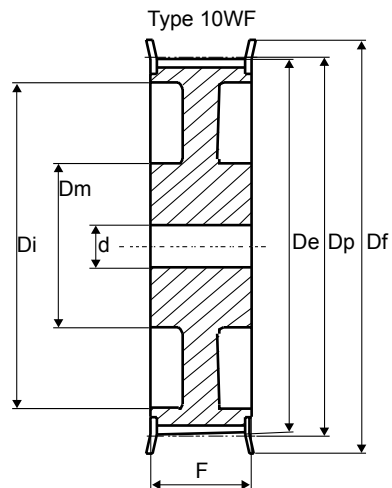
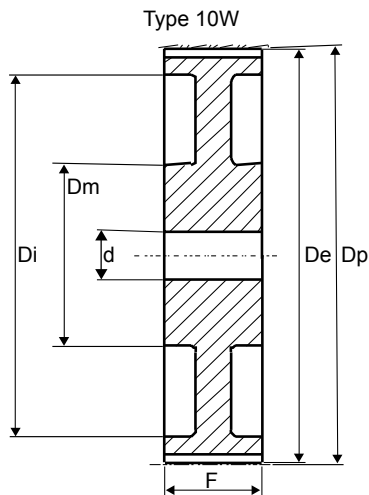
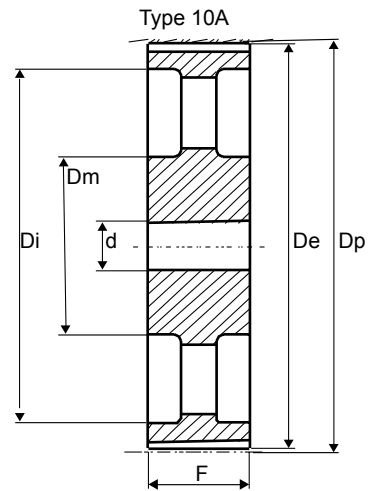
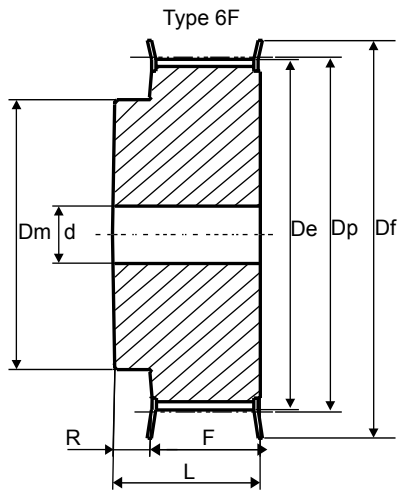
Part Code	Teeth	Type	Dp	De	Df	Dm	Di	F	L	d	Flange No.	Material
22-8M-30	22	6F	56.02	54.65	60	43	-	38	48	12	53	Steel
24-8M-30	24	6F	61.12	59.75	66	45	-	38	48	12	69	
26-8M-30	26	6F	66.21	64.84	70	48	-	38	48	12	61	
28-8M-30	28	6F	71.30	69.93	75	50	-	38	48	15	79	
30-8M-30	30	6F	76.39	75.02	83	55	-	38	48	15	73	
32-8M-30	32	6F	81.49	80.16	87	60	-	38	48	15	76	
34-8M-30	34	6F	86.58	85.22	91	70	-	38	48	15	66	
36-8M-30	36	6F	91.67	90.30	97	75	-	38	48	15	68	
38-8M-30	38	6F	96.77	95.39	102	75	-	38	48	15	70	
40-8M-30	40	6F	101.86	100.49	106	75	-	38	48	15	77	
44-8M-30	44	6F	112.05	110.67	120	75	-	38	48	15	75	
48-8M-30	48	6F	122.23	120.86	128	75	-	38	48	15	78	
56-8M-30	56	6WF	142.60	141.23	150	80	116	38	48	15	85	
64-8M-30	64	6WF	162.67	161.60	168	80	137	38	48	15	90	
72-8M-30	72	6WF	183.35	181.97	192	80	158	38	48	15	97	
80-8M-30	80	6W	203.72	202.35	-	90	180	38	48	15	No Flanges	Cast Iron
90-8M-30	90	6A	229.18	227.81	-	90	204	38	48	15	No Flanges	
112-8M-30	112	6A	285.21	283.83	-	90	254	38	48	18	No Flanges	
144-8M-30	144	6A	366.69	365.32	-	90	336	38	48	20	No Flanges	
168-8M-30	168	6A	427.81	426.44	-	100	400	38	48	20	No Flanges	
192-8M-30	192	6A	488.92	488.92	-	100	460	38	48	20	No Flanges	

50mm



Part Code	Teeth	Type	Dp	De	Df	Dm	Di	F	L	d	Flange No.	Material
22-8M-50	22	6F	56.02	54.65	60	43	-	60	70	12	53	Steel
24-8M-50	24	6F	61.12	59.75	66	45	-	60	70	12	69	
26-8M-50	26	6F	66.21	64.84	70	48	-	60	70	15	61	
28-8M-50	28	6F	71.30	69.93	75	50	-	60	70	15	79	
30-8M-50	30	6F	76.39	75.02	83	55	-	60	70	15	73	
32-8M-50	32	6F	81.49	80.16	87	60	-	60	70	15	76	
34-8M-50	34	6F	86.58	85.22	91	70	-	60	70	15	66	
36-8M-50	36	6F	91.67	90.30	97	75	-	60	70	15	68	
38-8M-50	38	6F	96.77	95.39	102	75	-	60	70	15	70	
40-8M-50	40	6F	101.86	100.49	106	75	-	60	70	18	77	
44-8M-50	44	6F	112.05	110.67	120	75	-	60	70	18	75	
48-8M-50	48	6F	122.23	120.86	128	75	-	60	70	18	78	
56-8M-50	56	10WF	142.60	141.23	150	80	116	60	60	18	85	
64-8M-50	64	10WF	162.67	161.60	168	80	137	60	60	18	90	
72-8M-50	72	10WF	183.35	181.97	192	80	158	60	60	18	97	
80-8M-50	80	10W	203.72	202.35	-	110	180	60	60	18	No Flanges	Cast Iron
90-8M-50	90	10A	229.18	227.81	-	110	204	60	60	18	No Flanges	
112-8M-50	112	10A	285.21	283.83	-	110	254	60	60	18	No Flanges	
144-8M-50	144	10A	366.69	365.32	-	110	336	60	60	20	No Flanges	
168-8M-50	168	10A	427.81	426.44	-	120	400	60	60	20	No Flanges	
192-8M-50	192	10A	488.92	487.55	-	130	460	60	60	20	No Flanges	

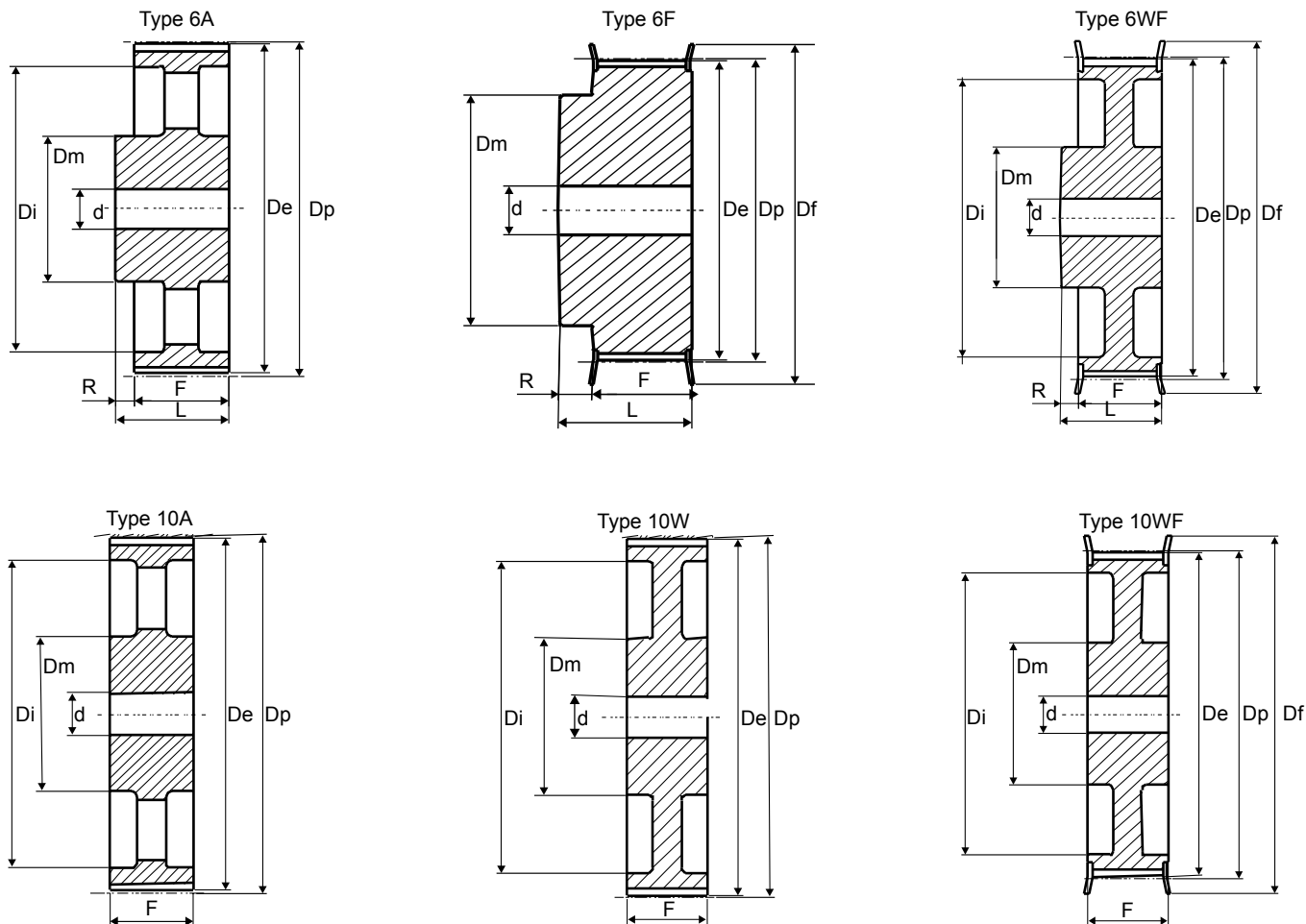
85mm



Part Code	Teeth	Type	Dp	De	Df	Dm	Di	F	L	d	Flange No.	Material
22-8M-85	22	6F	56.02	54.65	60	43	-	95	105	12	53	Steel
24-8M-85	24	6F	61.12	59.75	66	45	-	95	105	12	69	
26-8M-85	26	6F	66.21	64.84	70	48	-	95	105	12	61	
28-8M-85	28	6F	71.30	69.93	75	50	-	95	105	15	79	
30-8M-85	30	6F	76.39	75.02	83	55	-	95	105	15	73	
32-8M-85	32	6F	81.49	80.16	87	60	-	95	105	15	76	
34-8M-85	34	6F	86.58	85.22	91	66	-	95	105	15	66	
36-8M-85	36	6F	91.67	90.30	97	70	-	95	105	15	68	
38-8M-85	38	6F	96.77	95.39	102	75	-	95	105	15	70	
40-8M-85	40	6F	101.86	100.49	106	75	-	95	105	18	77	
44-8M-85	44	6F	112.05	110.67	120	75	-	95	105	18	75	
48-8M-85	48	6F	122.23	120.86	128	80	-	95	105	18	78	
56-8M-85	56	6F	142.60	141.23	150	90	-	95	105	18	85	
64-8M-85	64	10WF	162.67	161.60	168	100	137	95	95	20	90	
72-8M-85	72	10WF	183.35	181.97	192	100	158	95	95	20	97	
80-8M-85	80	10W	203.72	202.35	-	110	180	95	95	20	No Flanges	Cast Iron
90-8M-85	90	10A	229.18	227.81	-	110	204	95	95	20	No Flanges	
112-8M-85	112	10A	285.21	283.83	-	110	254	95	95	24	No Flanges	
144-8M-85	144	10A	366.69	365.32	-	110	336	95	95	24	No Flanges	
168-8M-85	168	10A	427.81	426.44	-	120	400	95	95	24	No Flanges	
192-8M-85	192	10A	488.92	487.55	-	130	460	95	95	24	No Flanges	

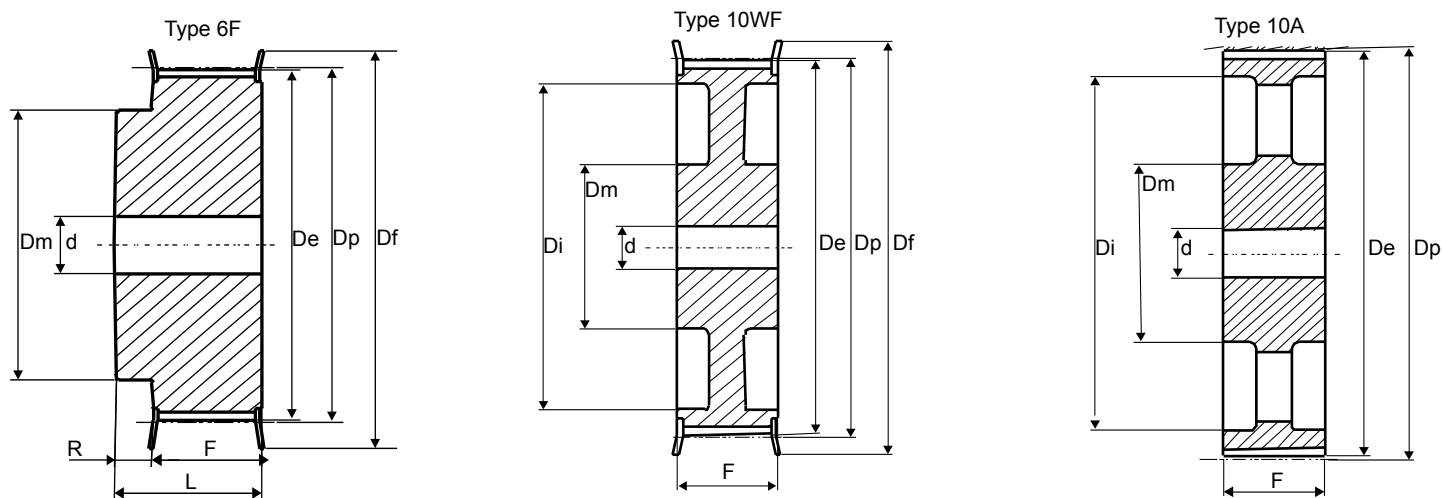
Every effort has been taken to ensure that the data listed in this catalogue is correct. Transdrive will not accept liability for any damage or loss caused as a result of the data in this catalogue.

40mm



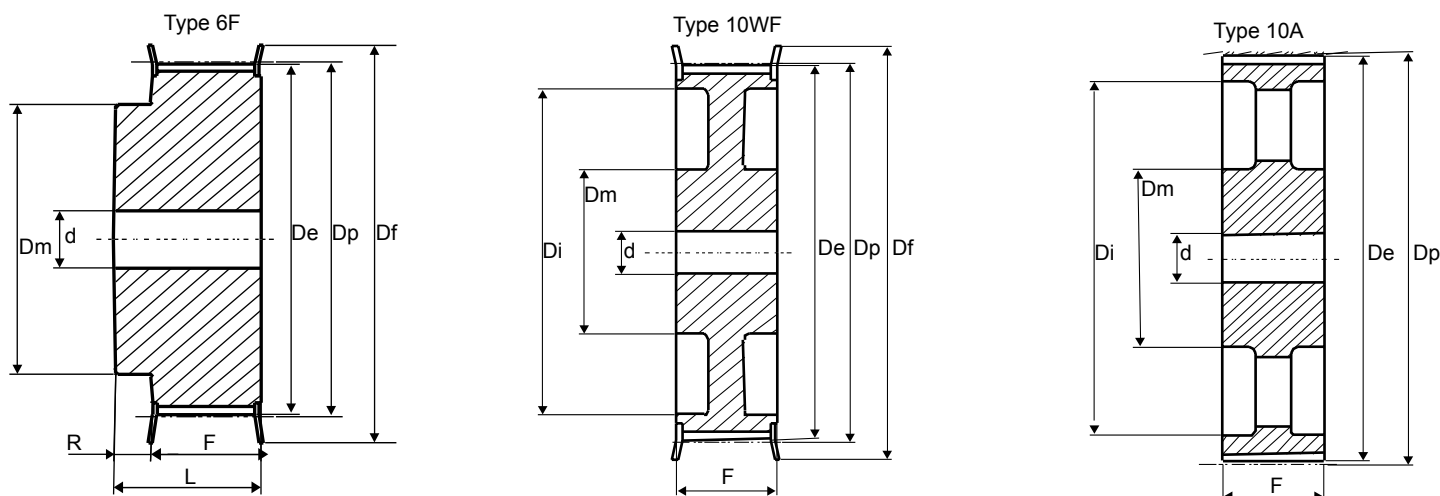
Part Code	Teeth	Type	Dp	De	Df	Dm	Di	F	L	d	Flange No.	Material	
28-14M-40	28	6F	124.78	122.12	128	100	-	54	69	24	153	Steel	
29-14M-40	29	6F	129.23	126.57	138	100	-	54	69	24	154		
30-14M-40	30	6F	133.39	130.99	138	100	-	54	69	24	154		
32-14M-40	32	6F	142.60	139.88	154	100	-	54	69	24	160		
34-14M-40	34	6F	151.52	148.79	160	100	-	54	69	24	166		
36-14M-40	36	6F	160.43	157.68	168	100	-	54	69	24	168		
38-14M-40	38	6F	169.34	166.60	183	120	-	54	69	24	172		
40-14M-40	40	6F	178.25	175.49	188	120	-	54	69	24	162		
44-14M-40	44	6F	196.08	193.28	211	120	-	54	69	24	175		
48-14M-40	48	6WF	213.90	211.11	226	135	170	54	69	24	180		
56-14M-40	56	6WF	249.55	246.76	256	135	207	54	69	28	182		
64-14M-40	64	6WF	285.21	282.41	296	135	240	54	69	28	184		
72-14M-40	72	6A	320.86	318.06	-	135	280	54	69	28	No Flanges		Cast Iron
80-14M-40	80	6A	356.51	353.71	-	135	314	54	69	28	No Flanges		
90-14M-40	90	6A	401.07	398.28	-	135	358	54	69	28	No Flanges		
112-14M-40	112	6A	499.11	496.32	-	135	456	54	69	28	No Flanges		
144-14M-40	144	6A	641.71	638.92	-	135	600	54	69	28	No Flanges		
168-14M-40	168	6A	748.66	745.87	-	135	706	54	69	28	No Flanges		
192-14M-40	192	6A	855.62	852.82	-	135	813	54	69	28	No Flanges		
216-14M-40	216	6A	962.57	959.76	-	150	920	54	69	28	No Flanges		

55mm



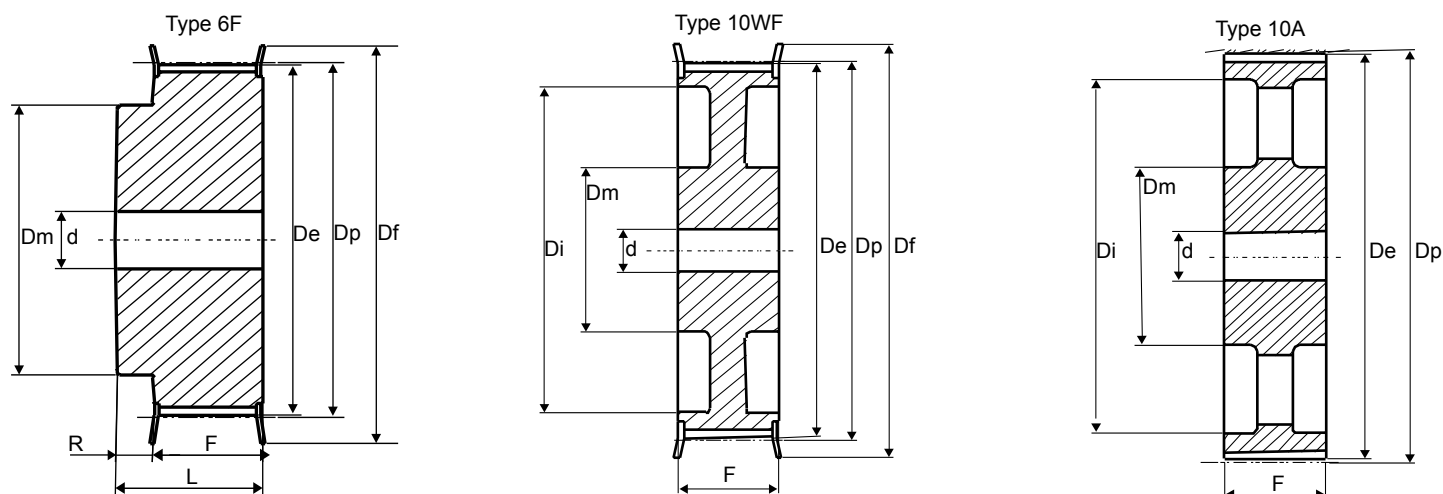
Part Code	Teeth	Type	Dp	De	Df	Dm	Di	F	L	d	Flange No.	Material	
28-14M-55	28	6F	124.78	122.12	128	100	-	70	85	24	153	Steel	
29-14M-55	29	6F	129.23	126.57	138	100	-	70	85	24	154		
30-14M-55	30	6F	133.39	130.99	138	100	-	70	85	24	154		
32-14M-55	32	6F	142.60	139.88	154	100	-	70	85	24	160		
34-14M-55	34	6F	151.52	148.79	160	100	-	70	85	24	166		
36-14M-55	36	6F	160.43	157.68	168	100	-	70	85	24	168		
38-14M-55	38	6F	169.34	166.60	183	120	-	70	85	24	172		
40-14M-55	40	6F	178.25	175.49	188	120	-	70	85	24	162		
44-14M-55	44	6F	196.08	193.28	211	120	-	70	85	24	175		
48-14M-55	48	10WF	213.90	211.11	226	135	170	70	70	24	180		
56-14M-55	56	10WF	249.55	246.76	256	135	207	70	70	28	182		
64-14M-55	64	10WF	285.21	282.41	296	135	240	70	70	28	184		
72-14M-55	72	10A	320.86	318.06	-	135	280	70	70	28	No Flanges		Cast Iron
80-14M-55	80	10A	356.51	353.71	-	135	314	70	70	28	No Flanges		
90-14M-55	90	10A	401.07	398.28	-	135	358	70	70	28	No Flanges		
112-14M-55	112	10A	499.11	496.32	-	135	456	70	70	28	No Flanges		
144-14M-55	144	10A	641.71	638.92	-	135	600	70	70	28	No Flanges		
168-14M-55	168	10A	748.66	745.87	-	135	706	70	70	28	No Flanges		
192-14M-55	192	10A	855.62	852.82	-	135	813	70	70	28	No Flanges		
216-14M-55	216	10A	962.57	959.76	-	150	920	70	70	28	No Flanges		

85mm



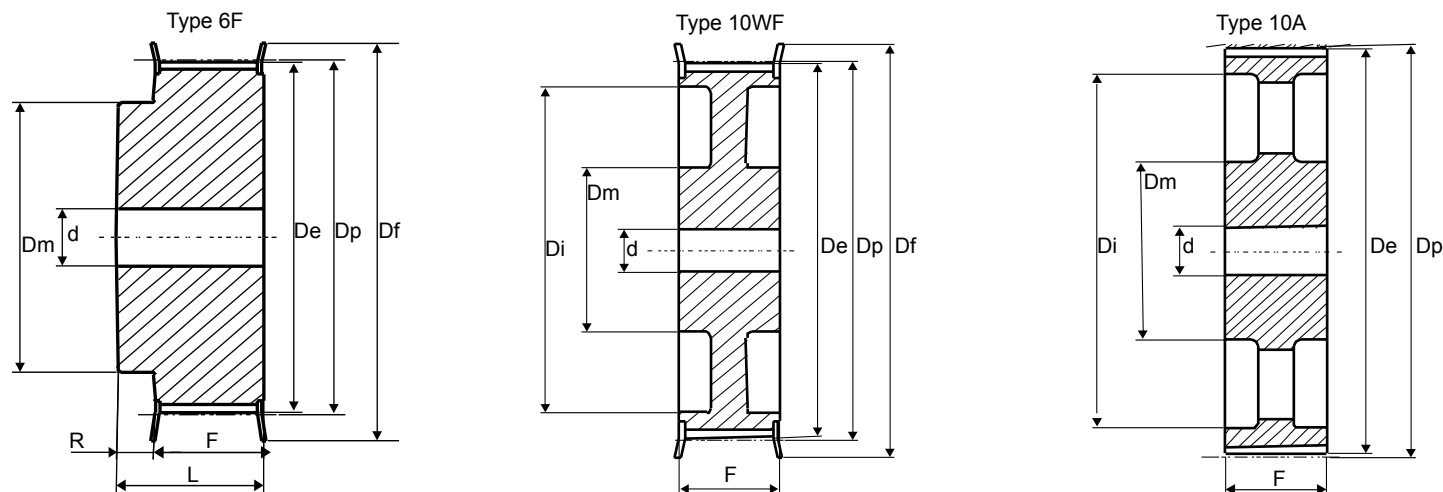
Part Code	Teeth	Type	Dp	De	Df	Dm	Di	F	L	d	Flange No.	Material	
28-14M-85	28	6F	124.78	122.12	128	100	-	102	117	24	153	Steel	
29-14M-85	29	6F	129.23	126.57	138	100	-	102	117	24	154		
30-14M-85	30	6F	133.39	130.99	138	100	-	102	117	24	154		
32-14M-85	32	6F	142.60	139.88	154	100	-	102	117	24	160		
34-14M-85	34	6F	151.52	148.79	160	100	-	102	117	24	166		
36-14M-85	36	6F	160.43	157.68	168	100	-	102	117	32	168		
38-14M-85	38	6F	169.34	166.60	183	120	-	102	117	32	172		
40-14M-85	40	6F	178.25	175.49	188	135	-	102	117	32	162		
44-14M-85	44	6F	196.08	193.28	211	135	-	102	117	32	175		
48-14M-85	48	6F	213.90	211.11	226	150	-	102	117	32	180		
56-14M-85	56	10WF	249.55	246.76	256	150	207	102	102	32	182		
64-14M-85	64	10WF	285.21	282.41	296	150	240	102	102	32	184		
72-14M-85	72	10A	320.86	318.06	-	150	280	102	102	32	No Flanges		Cast Iron
80-14M-85	80	10A	356.51	353.71	-	150	314	102	102	32	No Flanges		
90-14M-85	90	10A	401.07	398.28	-	150	358	102	102	32	No Flanges		
112-14M-85	112	10A	499.11	496.32	-	150	456	102	102	32	No Flanges		
144-14M-85	144	10A	641.71	638.92	-	150	600	102	102	32	No Flanges		
168-14M-85	168	10A	748.66	745.87	-	150	706	102	102	32	No Flanges		
192-14M-85	192	10A	855.62	852.82	-	165	813	102	102	32	No Flanges		
216-14M-85	216	10A	962.57	959.76	-	160	920	102	102	32	No Flanges		

115mm



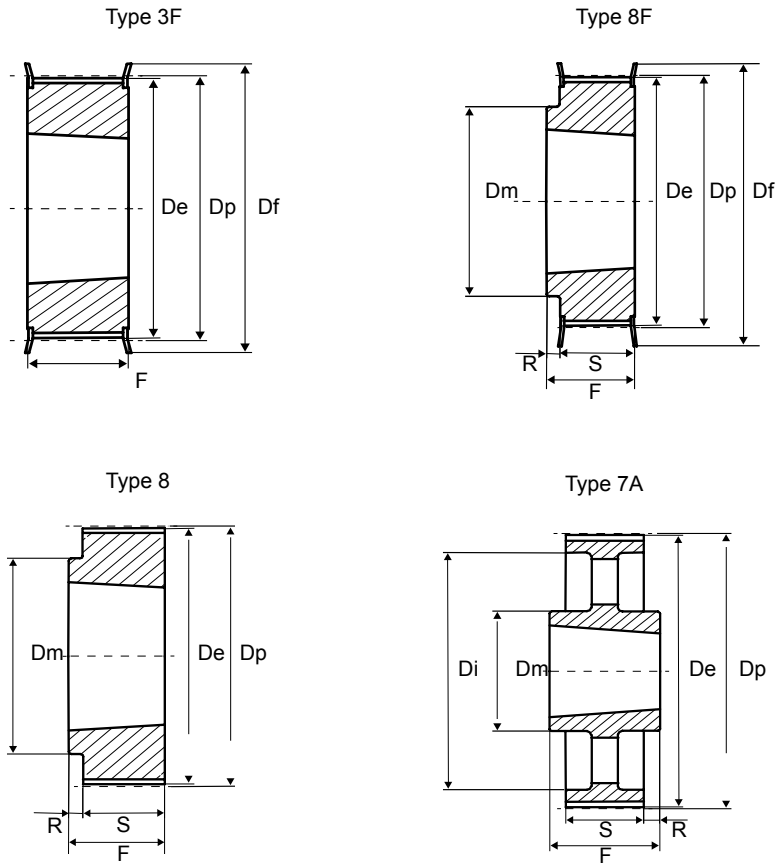
Part Code	Teeth	Type	Dp	De	Df	Dm	Di	F	L	d	Flange No.	Material	
28-14M-115	28	6F	124.78	122.12	128	100	-	133	148	32	153	Steel	
29-14M-115	29	6F	129.23	126.57	138	100	-	133	148	32	154		
30-14M-115	30	6F	133.39	130.99	138	100	-	133	148	32	154		
32-14M-115	32	6F	142.60	139.88	154	100	-	133	148	32	160		
34-14M-115	34	6F	151.52	148.79	160	100	-	133	148	32	166		
36-14M-115	36	6F	160.43	157.68	168	100	-	133	148	32	168		
38-14M-115	38	6F	169.34	166.60	183	120	-	133	148	32	172		
40-14M-115	40	6F	178.25	175.49	188	135	-	133	148	32	162		
44-14M-115	44	6F	196.08	193.28	211	140	-	133	148	32	175		
48-14M-115	48	6F	213.90	211.11	226	150	-	133	148	32	180		
56-14M-115	56	6F	249.55	246.76	256	150	-	133	148	32	182		
64-14M-115	64	10WF	285.21	282.41	296	150	240	133	133	32	184		
72-14M-115	72	10A	320.86	318.06	-	150	280	133	133	32	No Flanges		Cast Iron
80-14M-115	80	10A	356.51	353.71	-	150	314	133	133	32	No Flanges		
90-14M-115	90	10A	401.07	398.28	-	150	358	133	133	32	No Flanges		
112-14M-115	112	10A	499.11	496.32	-	150	456	133	133	32	No Flanges		
144-14M-115	144	10A	641.71	638.92	-	165	600	133	133	32	No Flanges		
168-14M-115	168	10A	748.66	745.87	-	165	706	133	133	32	No Flanges		
192-14M-115	192	10A	855.62	852.82	-	165	813	133	133	32	No Flanges		
216-14M-115	216	10A	962.57	959.76	-	165	920	133	133	32	No Flanges		

170mm



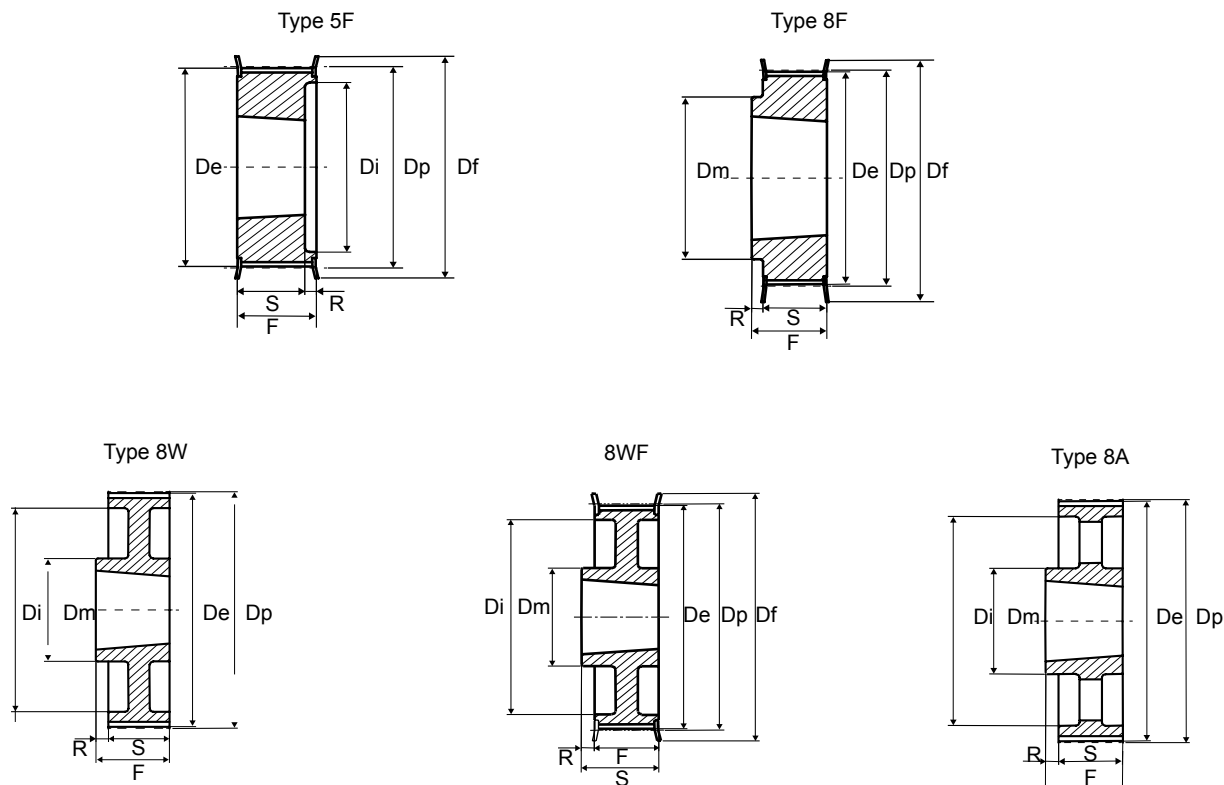
Part Code	Teeth	Type	Dp	De	Df	Dm	Di	F	L	d	Flange No.	Material	
28-14M-170	28	6F	124.78	122.12	128	100	-	187	202	32	153	Steel	
29-14M-170	29	6F	129.23	126.57	138	100	-	187	202	32	154		
30-14M-170	30	6F	133.39	130.99	138	100	-	187	202	32	154		
32-14M-170	32	6F	142.60	139.88	154	100	-	187	202	32	160		
34-14M-170	34	6F	151.52	148.79	160	100	-	187	202	32	166		
36-14M-170	36	6F	160.43	157.68	168	100	-	187	202	32	168		
38-14M-170	38	6F	169.34	166.60	183	120	-	187	202	32	172		
40-14M-170	40	6F	178.25	175.49	188	135	-	187	202	32	162		
44-14M-170	44	6F	196.08	193.28	211	140	-	187	202	32	175		
48-14M-170	48	6F	213.90	211.11	226	150	-	187	202	32	180		
56-14M-170	56	6F	249.55	246.76	256	150	-	187	202	32	182		
64-14M-170	64	10WF	285.21	282.41	296	150	240	187	187	32	184		
72-14M-170	72	10A	320.86	318.06	-	150	280	187	187	32	No Flanges		Cast Iron
80-14M-170	80	10A	356.51	353.71	-	150	314	187	187	32	No Flanges		
90-14M-170	90	10A	401.07	398.28	-	150	358	187	187	32	No Flanges		
112-14M-170	112	10A	499.11	496.32	-	150	456	187	187	32	No Flanges		
144-14M-170	144	10A	641.71	638.92	-	165	600	187	187	32	No Flanges		
168-14M-170	168	10A	748.66	745.87	-	165	706	187	187	32	No Flanges		
192-14M-170	192	10A	855.62	852.82	-	165	813	187	187	32	No Flanges		
216-14M-170	216	10A	962.57	959.76	-	165	920	187	187	32	No Flanges		

15mm



Part Code	Teeth	Type	Bush No.	Dp	De	Df	Dm	Di	F	S	R	Flange No.	Material
TL34-5M-15	34	3F	1008	54.11	52.97	57	-	-	22	22	-	20	Steel
TL36-5M-15	36	3F	1108	57.30	56.15	60	-	-	22	22	-	21	
TL38-5M-15	38	3F	1108	60.48	59.34	66.5	-	-	22	22	-	24	
TL40-5M-15	40	3F	1108	63.66	62.52	71	-	-	22	22	-	25	
TL44-5M-15	44	3F	1108	70.03	68.89	75	-	-	22	22	-	27	
TL48-5M-15	48	8F	1210	76.39	75.25	83	59	-	22	25	3	29	
TL56-5M-15	56	8F	1210	89.13	87.99	93	70	-	22	25	3	33	
TL64-5M-15	64	8F	1210	101.86	100.72	106	80	-	22	25	3	38	
TL72-5M-15	72	8	1610	114.59	113.45	-	92	-	22	25	3	No Flanges	
TL80-5M-15	80	8	1610	127.32	126.18	-	92	-	22	25	3	No Flanges	
TL90-5M-15	90	8	1610	143.24	142.10	-	92	-	22	25	3	No Flanges	
TL112-5M-15	112	8	2012	178.25	177.11	-	110	-	20	32	12	No Flanges	
TL136-5M-15	136	7A	2012	216.45	215.31	-	110	-	20	32	6	No Flanges	

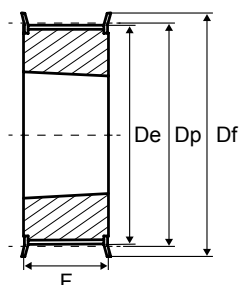
20mm



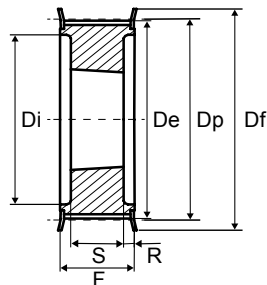
Part Code	Teeth	Type	Bush No.	Dp	De	Df	Dm	Di	F	S	R	Flange No.	Material	
TL22-8M-20	22	5F	1008	56.02	54.65	60	-	37	28	22	6	53	Steel	
TL24-8M-20	24	5F	1108	61.12	59.75	66	-	44	28	22	6	69		
TL26-8M-20	26	5F	1108	66.21	64.84	70	-	45	28	22	6	61		
TL28-8M-20	28	5F	1108	71.30	69.93	75	-	50	28	22	6	79		
TL30-8M-20	30	5F	1108	76.39	75.02	83	-	58	28	22	6	73		
TL32-8M-20	32	5F	1610	81.49	80.16	87	-	63	28	25	3	76		
TL34-8M-20	34	5F	1610	86.58	85.22	91	-	64	28	25	3	66		
TL36-8M-20	36	5F	1610	91.67	90.30	97	-	68	28	25	3	68		
TL38-8M-20	38	5F	1610	96.77	95.39	102	-	72	28	25	3	70		
TL40-8M-20	40	5F	1610	101.86	100.49	106	-	76	28	25	3	77		
TL44-8M-20	44	8F	2012	112.05	110.67	120	93	-	28	32	4	75		
TL48-8M-20	48	8F	2012	122.23	120.86	128	96	-	28	32	4	78		
TL56-8M-20	56	8F	2012	142.60	141.23	150	110	-	28	32	4	85		
TL64-8M-20	64	8WF	2012	162.97	161.60	168	110	137	28	32	4	90		
TL72-8M-20	72	8WF	2012	183.35	181.97	192	110	158	28	32	4	97		
TL80-8M-20	80	8W	2012	203.72	202.35	-	110	180	28	32	4	No Flanges		Cast Iron
TL90-8M-20	90	8A	2012	229.18	227.81	-	110	204	28	32	4	No Flanges		
TL144-8M-20	144	8A	2517	366.69	365.32	-	125	336	28	45	17	No Flanges		

30mm

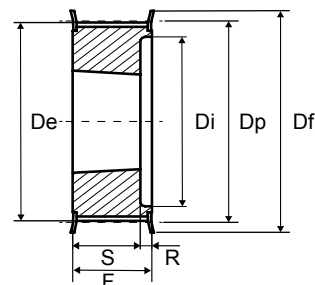
Type 3F



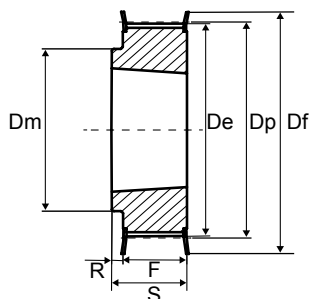
Type 4F



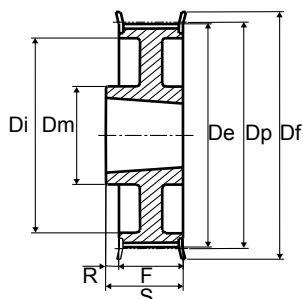
Type 5F



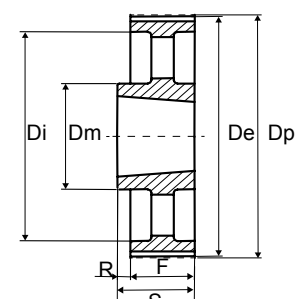
Type 8F



8WF

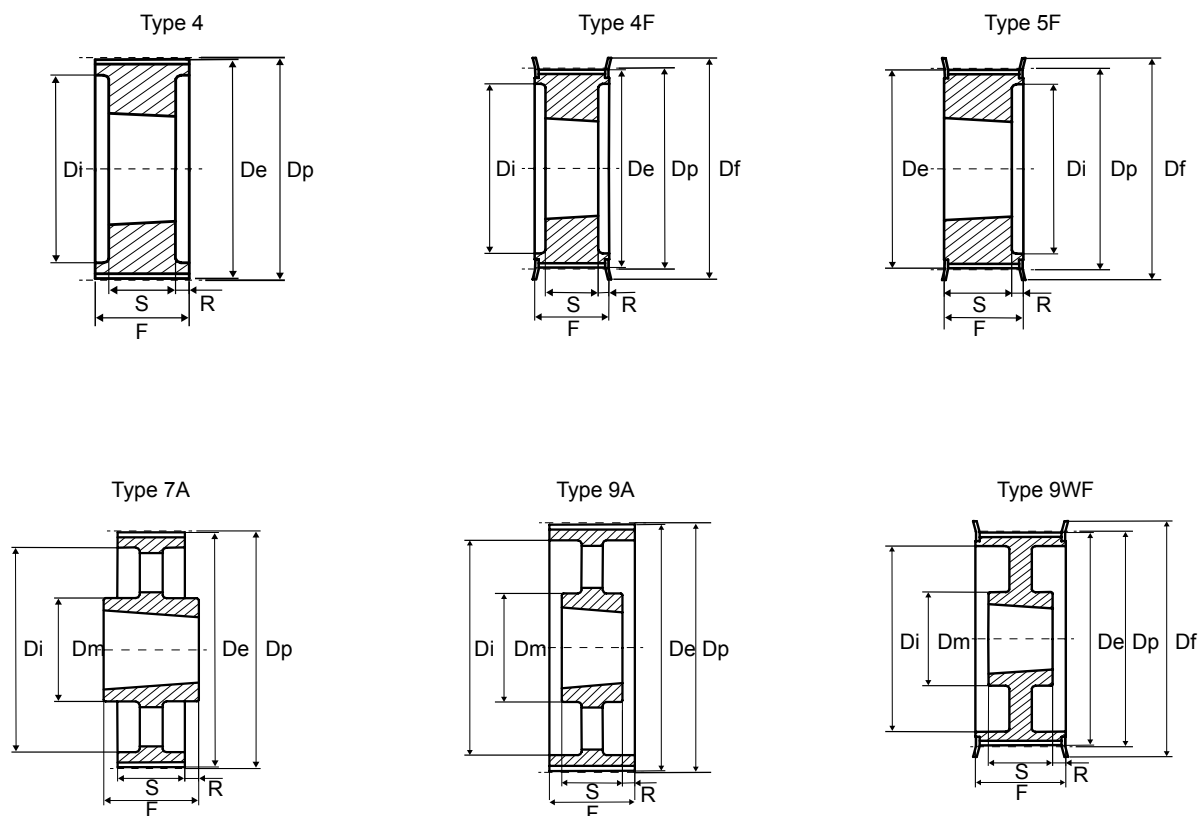


Type 8A



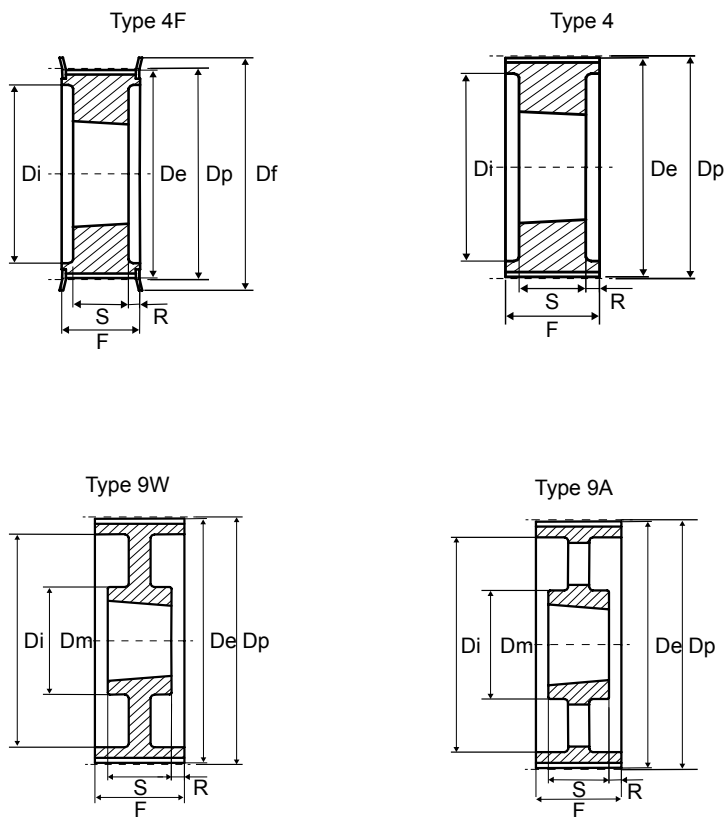
Part Code	Teeth	Type	Bush No.	Dp	De	Df	Dm	Di	F	S	R	Flange No.	Material
TL22-8M-30	22	5F	1008	56.02	54.65	60	-	37	38	22	16	53	Steel
TL24-8M-30	24	5F	1108	61.12	59.75	66	-	44	38	22	16	69	
TL26-8M-30	26	5F	1108	66.21	64.84	70	-	44	38	22	16	61	
TL28-8M-30	28	3F	1210	71.30	69.93	75	-	50	38	25	13	79	
TL30-8M-30	30	3F	1615	76.39	75.02	83	-	-	38	38	-	73	
TL32-8M-30	32	3F	1615	81.49	80.16	87	-	-	38	38	-	76	
TL34-8M-30	34	3F	1615	86.58	85.22	91	-	-	38	38	-	66	
TL36-8M-30	36	3F	1615	91.67	90.30	97	-	-	38	38	-	68	
TL38-8M-30	38	3F	1615	96.77	95.39	102	-	-	38	38	-	70	
TL40-8M-30	40	3F	1615	101.86	100.49	106	-	-	38	38	-	77	
TL44-8M-30	44	4F	2012	112.05	110.67	120	-	86	38	32	3	75	
TL48-8M-30	48	4F	2012	122.23	120.86	128	-	90	38	32	3	78	
TL56-8M-30	56	4F	2012	142.60	141.23	150	-	110	38	32	3	85	
TL64-8M-30	64	8F	2517	162.97	161.60	168	125	-	38	45	7	90	
TL72-8M-30	72	8WF	2517	183.35	181.97	192	125	158	38	45	7	97	
TL80-8M-30	80	8W	2517	203.72	202.35	-	125	180	38	45	7	No Flanges	Cast Iron
TL90-8M-30	90	8A	2517	229.18	227.81	-	125	204	38	45	7	No Flanges	
TL112-8M-30	112	8A	2517	285.21	283.83	-	125	254	38	45	7	No Flanges	
TL144-8M-30	144	8A	2517	366.69	365.32	-	125	336	38	45	7	No Flanges	

50mm



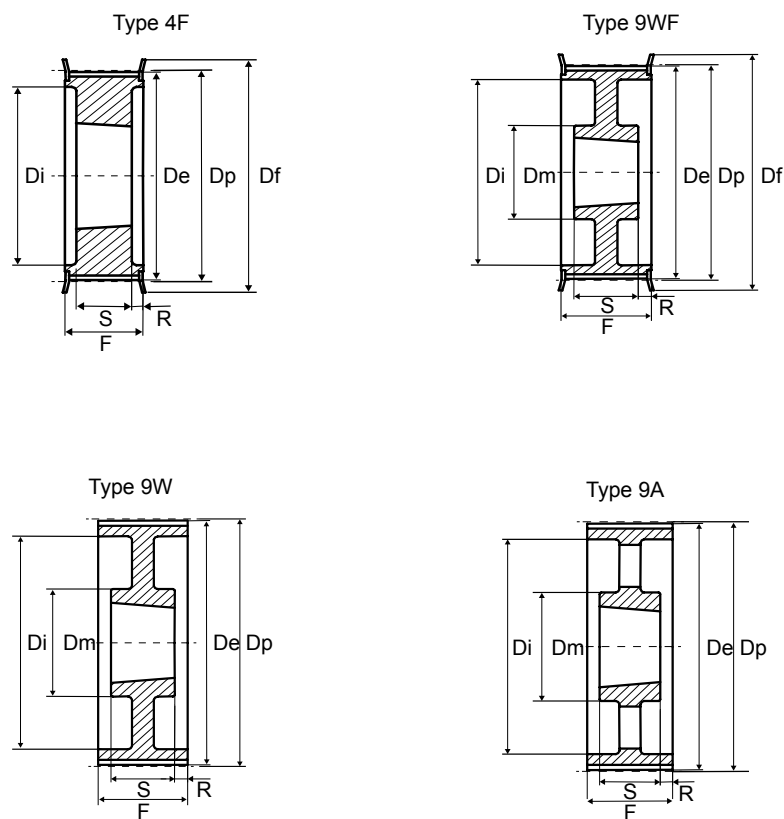
Part Code	Teeth	Type	Bush No.	Dp	De	Df	Dm	Di	F	S	R	Flange No.	Material
TL28-8M-50	28	4F	1210	71.30	69.93	75	-	50	60	25	17.5	79	Steel
TL30-8M-50	30	5F	1615	76.39	75.02	83	-	58	60	38	22	73	
TL32-8M-50	32	5F	1615	81.49	80.16	87	-	62	60	38	22	76	
TL34-8M-50	34	5F	1615	86.58	85.22	91	-	65	60	38	22	66	
TL36-8M-50	36	5F	1615	91.67	90.30	97	-	68	60	38	22	68	
TL38-8M-50	38	5F	1615	96.77	95.39	102	-	72	60	38	22	70	
TL40-8M-50	40	4F	2012	101.86	100.49	106	-	82	60	32	14	77	
TL44-8M-50	44	4F	2012	112.05	110.67	120	-	91	60	32	14	75	
TL48-8M-50	48	4F	2012	122.23	120.86	128	-	95	60	32	14	78	
TL56-8M-50	56	4F	2517	142.60	141.23	150	-	116	60	45	7.5	85	
TL64-8M-50	64	4F	2517	162.97	161.60	168	-	137	60	45	7.5	90	
TL72-8M-50	72	9WF	2517	183.35	181.97	192	125	158	60	45	7.5	97	
TL80-8M-50	80	4	3020	203.72	202.35	-	-	180	60	51	4.5	No Flanges	Cast Iron
TL90-8M-50	90	9W	3020	229.18	227.81	-	170	204	60	51	4.5	No Flanges	
TL112-8M-50	112	9W	3020	285.21	283.83	-	170	260	60	51	4.5	No Flanges	
TL144-8M-50	144	9A	3020	366.69	365.32	-	170	341	60	51	4.5	No Flanges	
TL168-8M-50	168	7A	3525	427.81	426.44	-	198	395	60	65	2.5	No Flanges	
TL192-8M-50	192	7A	3525	488.92	487.55	-	198	455	60	65	2.5	No Flanges	

85mm



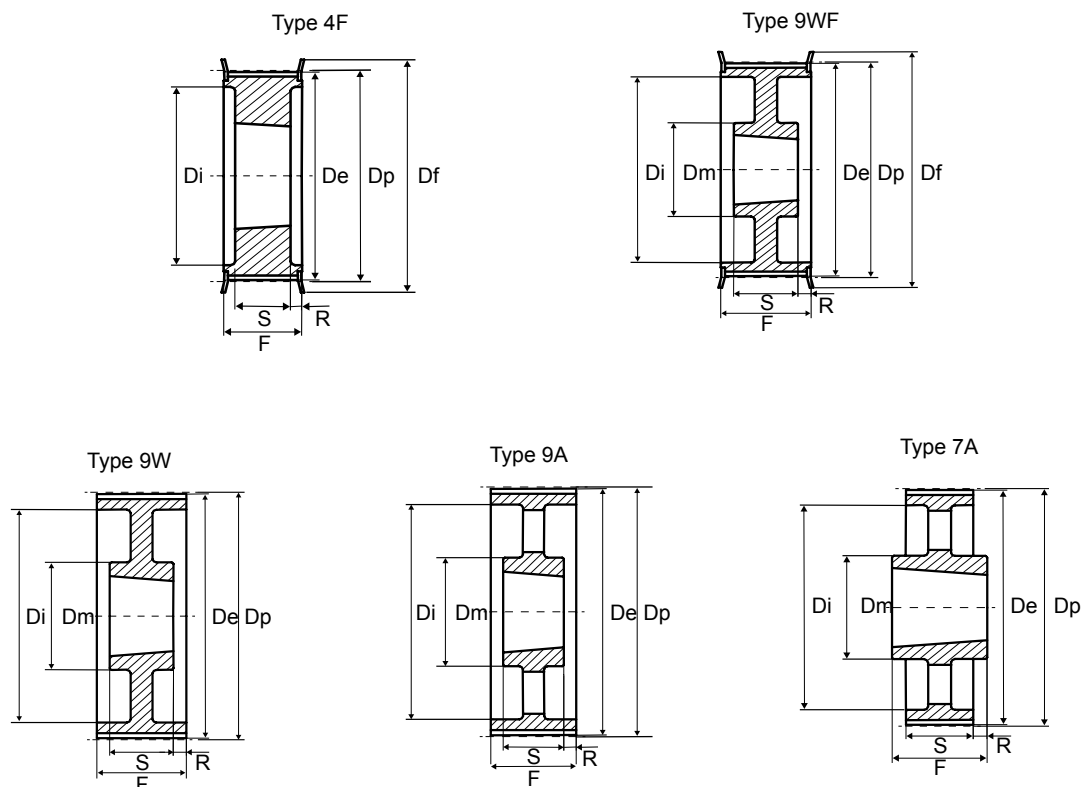
Part Code	Teeth	Type	Bush No.	Dp	De	Df	Dm	Di	F	S	R	Flange No.	Material
TL34-8M-85	34	4F	1615	86.58	85.22	91	-	65	95	38	28.5	66	Steel
TL36-8M-85	36	4F	1615	91.67	90.30	97	-	68	95	38	28.5	68	
TL38-8M-85	38	4F	1615	96.77	95.39	102	-	72	95	38	28.5	70	
TL40-8M-85	40	4F	2012	101.86	100.49	106	-	82	95	32	31.5	77	
TL44-8M-85	44	4F	2012	112.05	110.67	120	-	91	95	32	31.5	75	
TL48-8M-85	48	4F	2517	122.23	120.86	128	-	100	95	45	25	78	
TL56-8M-85	56	4F	2517	142.60	141.23	150	-	117	95	45	25	85	
TL64-8M-85	64	4F	2517	162.97	161.60	168	-	137	95	45	25	90	
TL72-8M-85	72	4F	3020	183.35	181.97	192	-	158	95	51	22	97	
TL80-8M-85	80	4	3020	203.72	202.35	-	-	180	95	51	22	No Flanges	Cast Iron
TL90-8M-85	90	9W	3020	229.18	227.81	-	170	204	95	51	22	No Flanges	
TL112-8M-85	112	9W	3020	285.21	283.83	-	170	260	95	51	22	No Flanges	
TL144-8M-85	144	9A	3525	366.69	365.32	-	198	336	95	65	15	No Flanges	
TL168-8M-85	168	9A	3525	427.81	426.44	-	198	395	95	65	15	No Flanges	
TL192-8M-85	192	9A	3525	488.92	487.55	-	198	455	95	65	15	No Flanges	

40mm



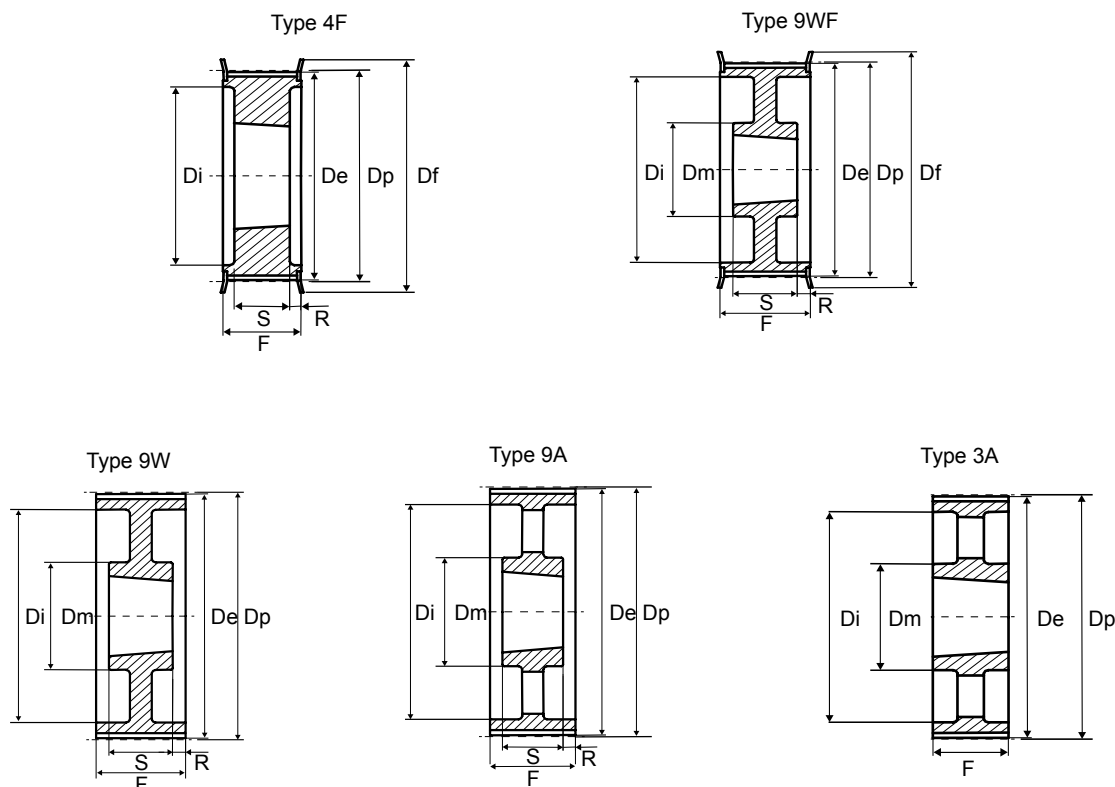
Part Code	Teeth	Type	Bush No.	Dp	De	Df	Dm	Di	F	S	R	Flange No.	Material
TL28-14M-40	28	4F	2012	124.78	122.12	128	-	94	54	32	11	153	Steel
TL29-14M-40	29	4F	2012	129.23	126.57	138	-	98	54	32	11	154	
TL30-14M-40	30	4F	2012	133.69	130.99	138	-	98	54	32	11	154	
TL32-14M-40	32	4F	2012	142.60	139.88	154	-	108	54	32	11	160	
TL34-14M-40	34	4F	2517	151.52	148.79	160	-	110	54	45	4.5	166	
TL36-14M-40	36	4F	2517	160.43	157.68	168	-	120	54	45	4.5	168	
TL38-14M-40	38	4F	2517	169.34	166.60	183	-	130	54	45	4.5	172	
TL40-14M-40	40	4F	2517	178.25	175.49	188	-	138	54	45	4.5	162	
TL44-14M-40	44	4F	3020	196.08	193.28	211	-	155	54	51	1.5	175	
TL48-14M-40	48	4F	3020	213.90	211.11	226	-	170	54	51	1.5	180	
TL56-14M-40	56	9WF	3020	249.55	246.76	256	170	208	54	51	1.5	182	Cast Iron
TL64-14M-40	64	9WF	3020	285.21	282.41	296	170	240	54	51	1.5	184	
TL72-14M-40	72	9W	3020	320.86	318.06	-	170	280	54	51	1.5	No Flanges	
TL80-14M-40	80	9A	3020	356.51	353.71	-	170	315	54	51	1.5	No Flanges	
TL90-14M-40	90	9A	3020	401.07	398.28	-	170	360	54	51	1.5	No Flanges	
TL112-14M-40	112	9A	3020	499.11	496.32	-	170	457	54	51	1.5	No Flanges	
TL144-14M-40	144	9A	3020	641.71	638.92	-	170	600	54	51	1.5	No Flanges	
TL168-14M-40	168	9A	3020	366.69	745.87	-	170	706	54	51	1.5	No Flanges	
TL192-14M-40	192	9A	3020	855.62	852.82	-	170	813	54	51	1.5	No Flanges	
TL216-14M-40	216	9A	3020	962.57	959.76	-	170	920	54	51	1.5	No Flanges	

55mm



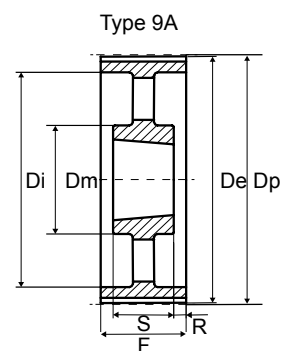
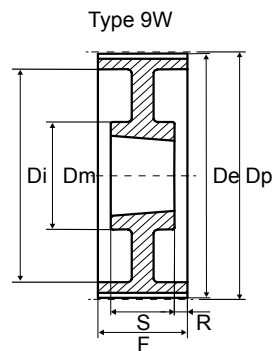
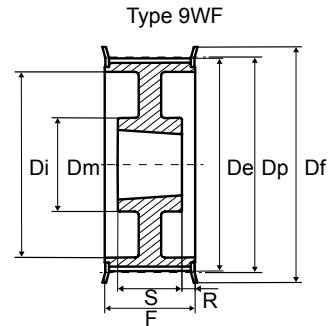
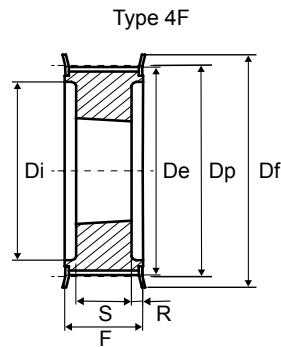
Part Code	Teeth	Type	Bush No.	Dp	De	Df	Dm	Di	F	S	R	Flange No.	Material
TL28-14M-55	28	4F	2012	124.78	122.12	128	-	94	70	32	19	153	Steel
TL29-14M-55	29	4F	2012	129.23	126.57	138	-	100	70	32	19	154	
TL30-14M-55	30	4F	2517	133.69	130.99	138	-	100	70	45	12.5	154	
TL32-14M-55	32	4F	2012	142.60	139.88	154	-	108	70	45	12.5	160	
TL34-14M-55	34	4F	2517	151.52	148.79	160	-	110	70	45	12.5	166	
TL36-14M-55	36	4F	2517	160.43	157.68	168	-	120	70	45	12.5	168	
TL38-14M-55	38	4F	2517	169.34	166.60	183	-	130	70	45	12.5	172	
TL40-14M-55	40	4F	2517	178.25	175.49	188	-	138	70	45	12.5	162	
TL44-14M-55	44	4F	3020	196.08	193.28	211	-	155	70	51	9.5	175	
TL48-14M-55	48	4F	3020	213.90	211.11	226	-	170	70	51	9.5	180	
TL56-14M-55	56	9WF	3020	249.55	246.76	256	170	208	70	51	9.5	182	Cast Iron
TL64-14M-55	64	9WF	3020	285.21	282.41	296	170	240	70	51	9.5	184	
TL72-14M-55	72	9W	3020	320.86	318.06	-	170	280	70	51	9.5	No Flanges	
TL80-14M-55	80	9A	3020	356.51	353.71	-	170	315	70	51	9.5	No Flanges	
TL90-14M-55	90	9A	3020	401.07	398.28	-	170	360	70	51	9.5	No Flanges	
TL112-14M-55	112	9A	3020	499.11	496.32	-	170	457	70	51	9.5	No Flanges	
TL144-14M-55	144	9A	3020	641.71	638.92	-	170	600	70	51	9.5	No Flanges	
TL168-14M-55	168	9A	3020	366.69	745.87	-	170	706	70	51	9.5	No Flanges	
TL192-14M-55	192	9A	3020	855.62	852.82	-	170	813	70	51	9.5	No Flanges	
TL216-14M-55	216	7A	3535	962.57	959.76	-	190	920	70	89	9.5	No Flanges	

85mm



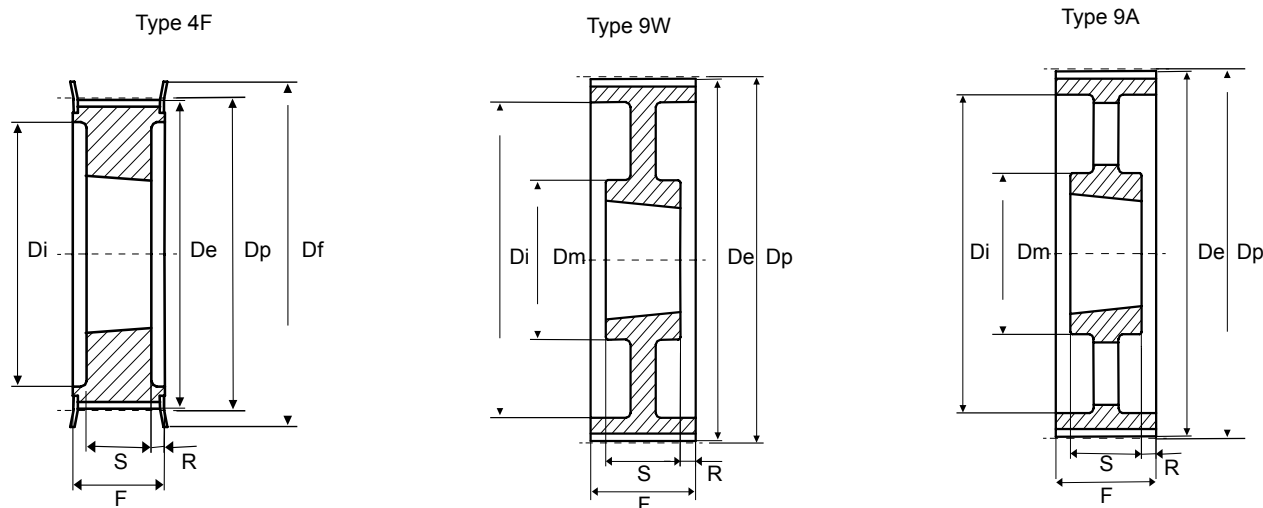
Part Code	Teeth	Type	Bush No.	Dp	De	Df	Dm	Di	F	S	R	Flange No.	Material
TL28-14M-85	28	4F	2517	124.78	122.12	128	-	98	102	45	28.5	153	Steel
TL29-14M-85	29	4F	2517	129.23	126.57	138	-	100	102	45	28.5	154	
TL30-14M-85	30	4F	2517	133.69	130.99	138	-	100	102	45	28.5	154	
TL32-14M-85	32	4F	2517	142.60	139.88	154	-	108	102	45	28.5	160	
TL34-14M-85	34	4F	2517	151.52	148.79	160	-	110	102	45	28.5	166	
TL36-14M-85	36	4F	3020	160.43	157.68	168	-	120	102	51	25.5	168	
TL38-14M-85	38	4F	3020	169.34	166.60	183	-	130	102	51	25.5	172	
TL40-14M-85	40	4F	3020	178.25	175.49	188	-	138	102	51	25.5	162	
TL44-14M-85	44	4F	3020	196.08	193.28	211	-	153	102	51	25.5	175	
TL48-14M-85	48	4F	3020	213.90	211.11	226	-	170	102	51	25.5	180	
TL56-14M-85	56	9WF	3525	249.55	246.76	256	190	210	102	65	18.5	182	
TL64-14M-85	64	9WF	3525	285.21	282.41	296	190	240	102	65	18.5	184	
TL72-14M-85	72	9W	3525	320.86	318.06	-	190	280	102	65	18.5	No Flanges	Cast Iron
TL80-14M-85	80	9A	3525	356.51	353.71	-	190	315	102	65	18.5	No Flanges	
TL90-14M-85	90	9A	3525	401.07	398.28	-	190	360	102	65	18.5	No Flanges	
TL112-14M-85	112	9A	3525	499.11	496.32	-	190	457	102	65	18.5	No Flanges	
TL144-14M-85	144	9A	3525	641.71	638.92	-	190	600	102	65	18.5	No Flanges	
TL168-14M-85	168	9A	3525	366.69	745.87	-	190	706	102	65	18.5	No Flanges	
TL192-14M-85	192	3A	3525	855.62	852.82	-	190	813	102	102	-	No Flanges	
TL216-14M-85	216	3A	3525	962.57	959.76	-	190	920	102	102	-	No Flanges	

115mm



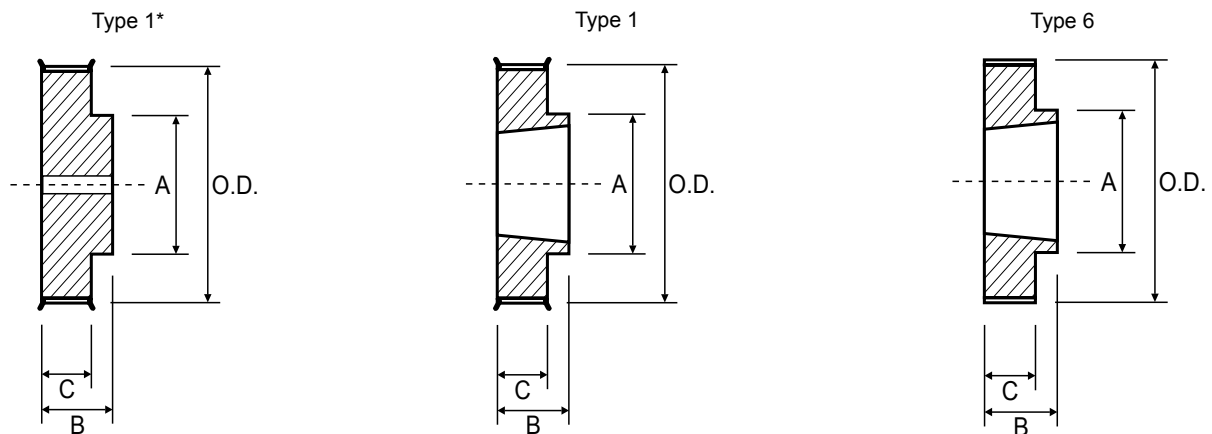
Part Code	Teeth	Type	Bush No.	Dp	De	Df	Dm	Di	F	S	R	Flange No.	Material
TL28-14M-115	28	4F	2517	124.78	122.12	128	-	98	133	45	44	153	Steel
TL29-14M-115	29	4F	2517	129.23	126.57	138	-	100	133	45	44	154	
TL30-14M-115	30	4F	2517	133.69	130.99	138	-	100	133	45	44	154	
TL32-14M-115	32	4F	2517	142.60	139.88	154	-	108	133	45	44	160	
TL34-14M-115	34	4F	2517	151.52	148.79	160	-	110	133	45	44	166	
TL36-14M-115	36	4F	3020	160.43	157.68	168	-	125	133	51	41	168	
TL38-14M-115	38	4F	3020	169.34	166.60	183	-	130	133	51	41	172	
TL40-14M-115	40	4F	3020	178.25	175.49	188	-	138	133	51	41	162	
TL44-14M-115	44	4F	3030	196.08	193.28	211	-	155	133	76	28.5	175	
TL48-14M-115	48	4F	3030	213.90	211.11	226	-	170	133	76	28.5	180	
TL56-14M-115	56	4F	3535	249.55	246.76	256	190	208	133	89	22	182	
TL64-14M-115	64	9WF	3535	285.21	282.41	296	190	240	133	89	22	184	
TL72-14M-115	72	9W	3535	320.86	318.06	-	190	280	133	89	22	No Flanges	Cast Iron
TL80-14M-115	80	9A	3535	356.51	353.71	-	190	315	133	89	22	No Flanges	
TL90-14M-115	90	9A	3535	401.07	398.28	-	190	360	133	89	22	No Flanges	
TL112-14M-115	112	9A	3535	499.11	496.32	-	190	457	133	89	22	No Flanges	
TL144-14M-115	144	9A	4040	641.71	638.92	-	230	600	133	102	15.5	No Flanges	
TL168-14M-115	168	9A	4040	366.69	745.87	-	230	706	133	102	15.5	No Flanges	
TL192-14M-115	192	9A	4040	855.62	852.82	-	230	813	133	102	15.5	No Flanges	
TL216-14M-115	216	9A	4040	962.57	959.76	-	230	920	133	102	15.5	No Flanges	

170mm



Part Code	Teeth	Type	Bush No.	Dp	De	Df	Dm	Di	F	S	R	Flange No.	Material
TL38-14M-170	38	4F	3030	169.34	166.60	183	-	130	187	76	55.5	172	Steel
TL40-14M-170	40	4F	3030	178.25	175.49	188	-	138	187	76	55.5	162	
TL44-14M-170	44	4F	3535	196.08	193.28	211	-	153	187	89	49	175	
TL48-14M-170	48	4F	3535	213.90	211.11	226	-	170	187	89	49	180	
TL56-14M-170	56	4F	3535	249.55	246.76	256	-	208	187	89	49	182	
TL64-14M-170	64	4F	4040	285.21	282.41	296	-	240	187	102	42.5	184	
TL72-14M-170	72	9W	4040	320.86	318.06	-	230	280	187	102	42.5	No Flanges	Cast Iron
TL80-14M-170	80	9W	4040	356.51	353.71	-	230	315	187	102	42.5	No Flanges	
TL90-14M-170	90	9A	4040	401.07	398.28	-	230	360	187	102	42.5	No Flanges	
TL112-14M-170	112	9A	5050	499.11	496.32	-	230	457	187	127	30	No Flanges	
TL144-14M-170	144	9A	5050	641.71	638.92	-	230	600	187	127	30	No Flanges	
TL168-14M-170	168	9A	5050	366.69	745.87	-	230	706	187	127	30	No Flanges	
TL192-14M-170	192	9A	5050	855.62	852.82	-	230	813	187	127	30	No Flanges	
TL216-14M-170	216	9A	5050	962.57	959.76	-	230	920	187	127	30	No Flanges	

12mm



8M-12 (Suits 12mm wide belt)

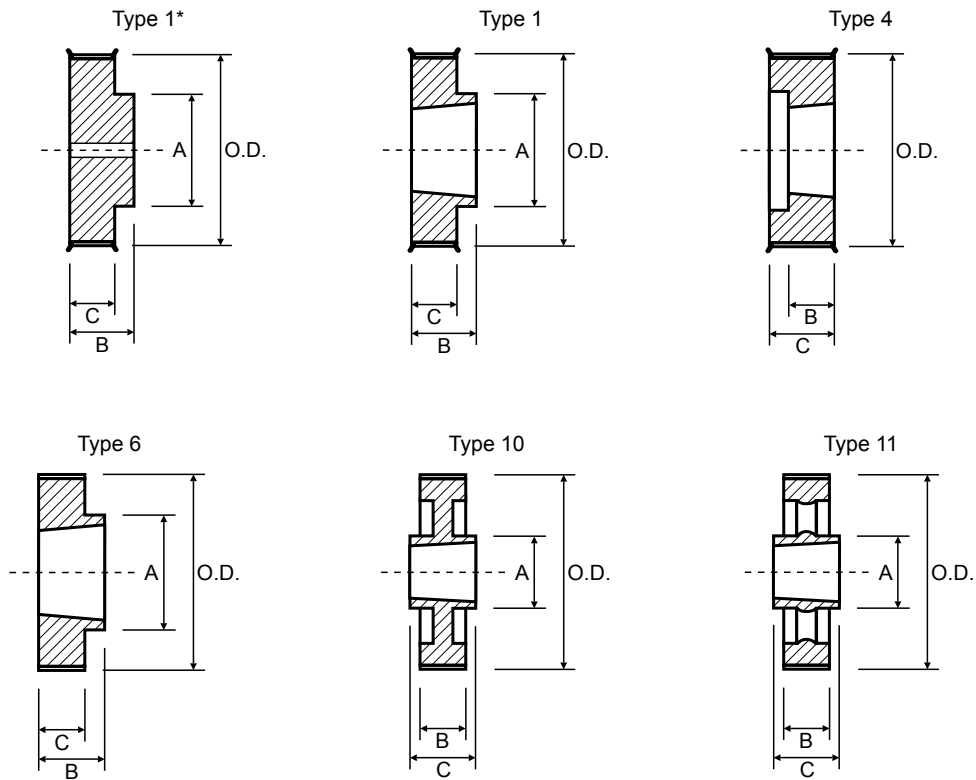
Part No.	O.D.	Type	Bush	A	B	C = 20.0	
8M-22S-12F	54.4	1*	-	43.0	30.0		
8M-25S-12F	62.1	1	1108	49.0	22.0		
8M-28S-12F	69.7	1	1108	56.0	22.0		
8M-30S-12F	74.8	1	1210	60.0	25.0		
8M-32S-12F	79.9	1	1610	66.0	25.0		
8M-34S-12F	85.0	1	1610	72.0	25.0		
8M-36S-12F	90.1	1	1610	75.0	25.0		
8M-38S-12F	95.2	1	1610	82.0	25.0		
8M-40S-12F	100.3	1	1610	89.0	25.0		
8M-45S-12F	113.0	1	2012	104.0	32.0		
8M-48S-12F	120.6	1	2012	105.0	32.0		
8M-50S-12F	125.7	1	2012	105.0	32.0		
8M-56S-12F	141.0	1	2012	105.0	32.0		
8M-60S-12F	151.2	1	2012	110.0	32.0		
8M-64S-12F	161.4	1	2012	110.0	32.0		
8M-75S-12	189.4	6	2012	110.0	32.0		
8M-80S-12	202.1	6	2012	110.0	32.0		
8M-90S-12	227.6	6	2012	110.0	32.0		

Contact TransDrive for Material Specification

Flanged

No Flanges

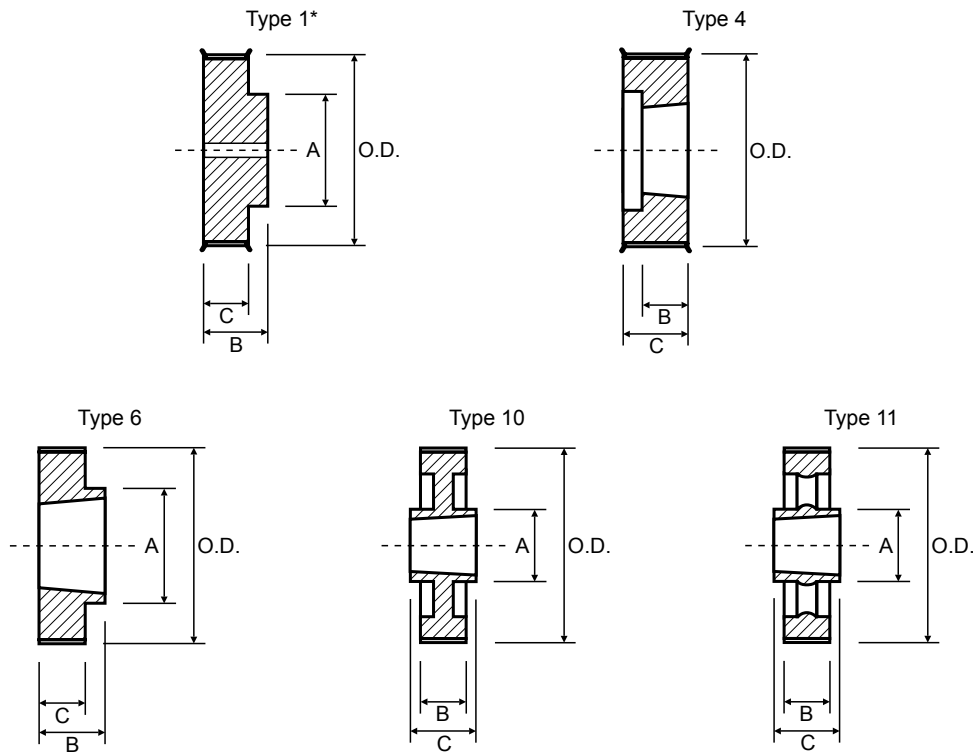
21mm



8M-21 (Suits 21mm wide belt)

Part No.	O.D.	Type	Bush	A	B	C = 30.0
8M-22S-21F	54.4	1*	-	43.0	42.0	Contact TransDrive for Material Specification
8M-25S-21F	62.1	4	1108	-	22.0	
8M-28S-21F	69.7	4	1210	-	25.0	
8M-30S-21F	74.8	4	1210	-	25.0	
8M-32S-21F	79.9	4	1610	-	25.0	
8M-34S-21F	85.0	4	1610	-	25.0	
8M-36S-21F	90.1	4	1610	-	25.0	
8M-38S-21F	95.2	4	1610	-	25.0	
8M-40S-21F	100.3	4	1610	-	25.0	
8M-45S-21F	113.0	1	2012	92.0	32.0	
8M-48S-21F	120.6	1	2012	103.0	32.0	
8M-50S-21F	125.7	1	2012	104.0	32.0	
8M-56S-21F	141.0	1	2012	111.0	32.0	
8M-60S-21F	151.2	1	2517	124.0	45.0	
8M-64S-21F	161.4	1	2517	124.0	45.0	
8M-75S-21	189.4	6	2517	124.0	45.0	No Flanges
8M-80S-21	202.1	6	2517	124.0	45.0	
8M-90S-21	227.6	10	2517	124.0	45.0	
8M-112S-21	283.6	10	2517	124.0	45.0	
8M-140S-21	354.9	11	3020	150.0	51.0	

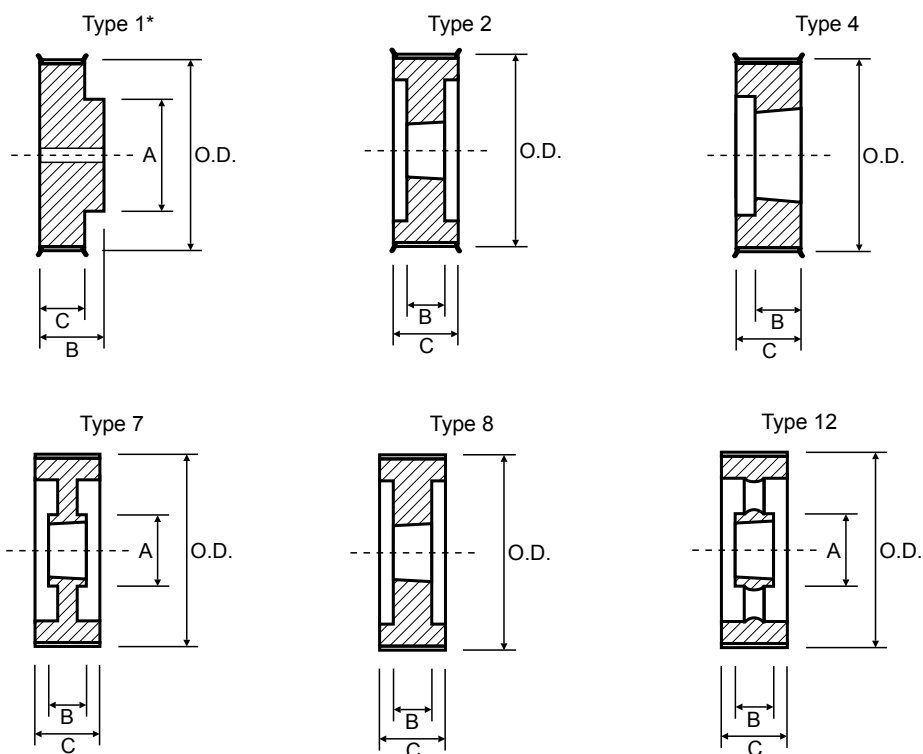
36mm



8M-36 Suits 36mm wide belt

Part No.	O.D.	Type	Bush	A	B	C = 45.0
8M-25S-36F	62.1	1*	-	49.0	55.0	Contact TransDrive for Material Specification
8M-28S-36F	69.7	4	1210	-	25.0	
8M-30S-36F	74.8	4	1610	-	25.0	
8M-32S-36F	79.9	4	1610	-	25.0	
8M-34S-36F	85.0	4	1610	-	25.0	
8M-36S-36F	90.1	4	1610	-	25.0	
8M-38S-36F	95.2	4	1610	-	25.0	
8M-40S-36F	100.3	4	2012	-	32.0	
8M-45S-36F	113.0	4	2012	-	32.0	
8M-48S-36F	120.6	4	2012	-	32.0	
8M-50S-36F	125.7	4	2012	-	32.0	
8M-56S-36F	141.0	4	2517	-	45.0	
8M-60S-36F	151.2	4	2517	-	45.0	
8M-64S-36F	161.4	4	2517	-	45.0	
8M-75S-36	189.4	6	3020	150.0	51.0	No Flanges
8M-80S-36	202.1	6	3020	150.0	51.0	
8M-90S-36	227.6	10	3020	150.0	51.0	
8M-112S-36	283.6	10	3020	150.0	51.0	
8M-140S-36	354.9	11	3020	150.0	51.0	
8M-168S-36	426.2	11	3525	198.0	65.0	
8M-192S-36	487.3	11	3525	198.0	65.0	

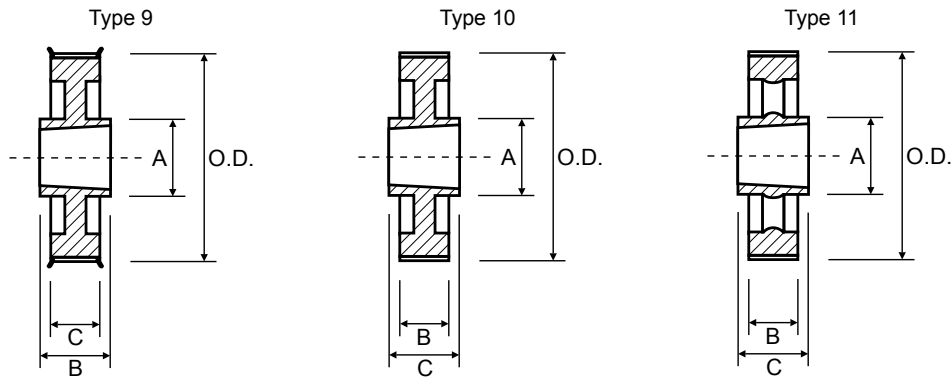
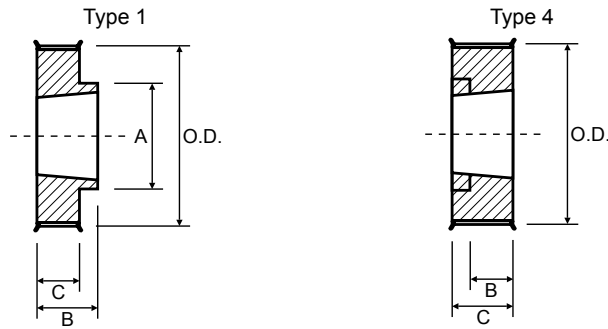
62mm



8M-62 Suits 62mm wide belt

Part No.	O.D.	Type	Bush	A	B	C = 72.0	
8M-30S-62F	74.8	1*	-	63.0	84.0	Contact TransDrive for Material Specification	
8M-32S-62F	79.9	1*	-	68.0	84.0		
8M-34S-62F	85.0	1*	-	69.0	84.0		
8M-36S-62F	90.1	1*	-	76.0	84.0		
8M-38S-62F	95.2	1*	-	78.0	84.0		
8M-40S-62F	100.3	4	2012	-	32.0		Flanged
8M-45S-62F	113.0	4	2012	-	32.0		
8M-48S-62F	120.6	4	2517	-	45.0		
8M-50S-62F	125.7	4	2517	-	45.0		
8M-56S-62F	141.0	2	2517	-	45.0		No Flanges
8M-60S-62F	151.2	2	2517	-	45.0		
8M-64S-62F	161.4	2	2517	-	45.0		
8M-75S-62	189.4	8	3020	-	51.0		
8M-80S-62	202.1	8	3020	-	51.0		
8M-90S-62	227.6	8	3020	-	51.0		
8M-112S-62	283.6	7	3020	150.0	51.0		
8M-140S-62	354.9	7	3525	198.0	65.0		
8M-168S-62	426.2	12	3525	198.0	65.0		
8M-192S-36	487.3	12	3525	198.0	65.0		

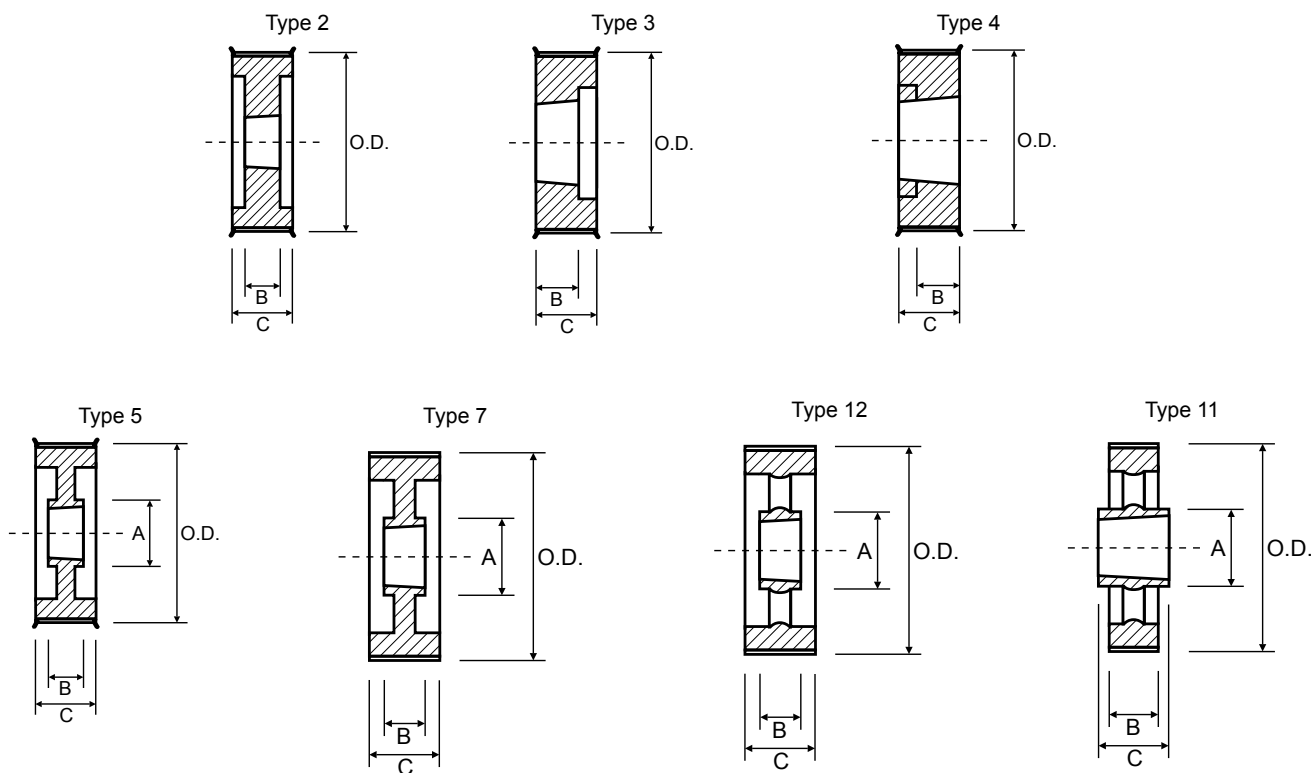
20mm



14M-20 Suits 20mm wide belt

Part No.	O.D.	Type	Bush	A	B	C = 33.0
14M-28S-20F	122.0	4	2012	-	-	Contact TransDrive for Material Specification
14M-30S-20F	130.9	4	2012	-	-	
14M-32S-20F	139.8	4	2012	-	-	
14M-34S-20F	148.7	1	2517	117.0	45.0	
14M-36S-20F	157.6	1	2517	117.0	45.0	
14M-38S-20F	166.5	1	2517	117.0	45.0	
14M-40S-20F	175.5	1	2517	117.0	45.0	
14M-44S-20F	193.3	1	3020	144.0	51.0	
14M-48S-20F	211.1	1	3020	144.0	51.0	
14M-50S-20F	220.0	1	3020	144.0	51.0	
14M-56S-20F	246.8	9	3020	144.0	51.0	No Flanges
14M-60S-20	264.6	10	3020	159.0	51.0	
14M-64S-20	282.4	10	3020	159.0	51.0	
14M-72S-20	318.1	10	3020	159.0	51.0	
14M-80S-20	353.7	10	3020	159.0	51.0	
14M-90S-20	398.3	11	3020	159.0	51.0	
14M-112S-20	496.3	11	3020	159.0	51.0	
14M-140S-20	621.1	11	3020	159.0	51.0	

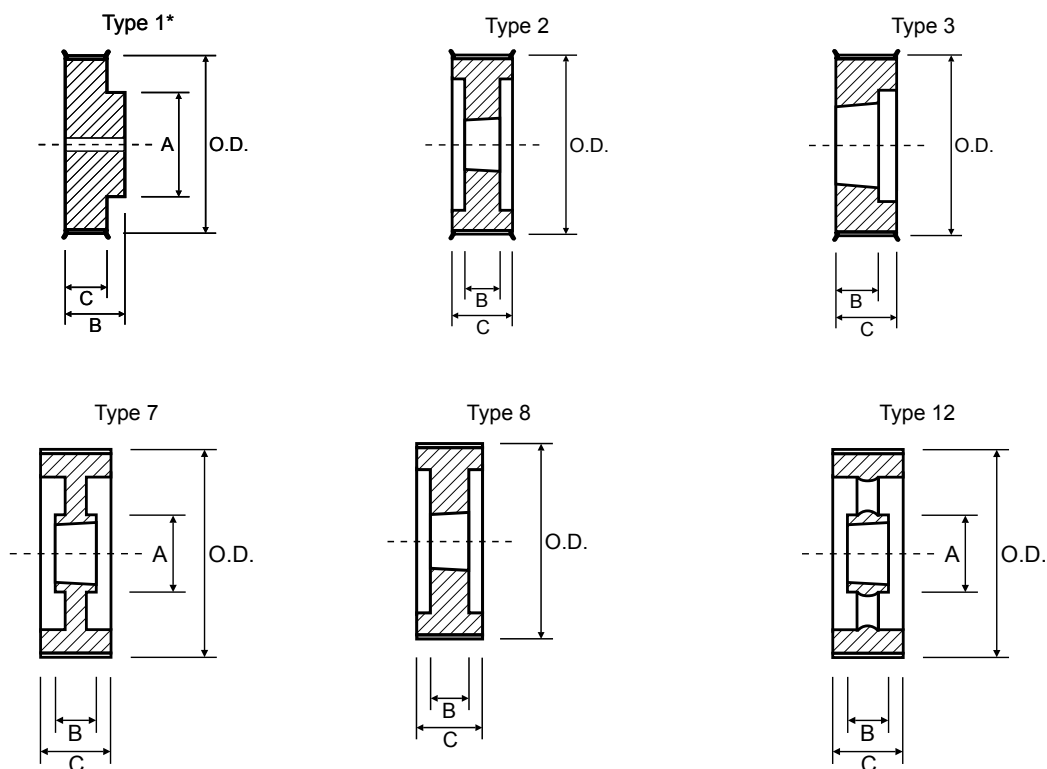
37mm



14M-37 Suits 37mm wide belt

Part No.	O.D.	Type	Bush	A	B	C = 51.0
14M-28S-37F	122.0	3	2012	-	32.0	Contact TransDrive for Material Specification
14M-30S-37F	130.9	2	2517	-	45.0	
14M-32S-37F	139.8	2	2517	-	45.0	
14M-34S-37F	148.7	2	2517	-	45.0	
14M-36S-37F	157.6	3	2517	-	45.0	
14M-38S-37F	166.5	3	2517	-	45.0	
14M-40S-37F	175.5	3	2517	-	45.0	
14M-44S-37F	193.3	4	3020	-	51.0	
14M-48S-37F	211.1	4	3020	-	51.0	
14M-50S-37F	220.0	4	3020	-	51.0	
14M-56S-37F	246.8	5	3020	144.0	51.0	
14M-60S-37	264.6	7	3020	159.0	51.0	
14M-64S-37	282.4	7	3020	159.0	51.0	
14M-72S-37	318.1	7	3020	159.0	51.0	
14M-80S-37	353.7	7	3020	159.0	51.0	
14M-90S-37	398.3	12	3020	159.0	51.0	No Flanges
14M-112S-37	496.3	12	3020	159.0	51.0	
14M-140S-37	621.1	11	3525	206.0	65.0	
14M-168S-37	745.9	11	3525	206.0	65.0	
14M-192S-37	852.8	11	4030	215.0	76.0	

68mm



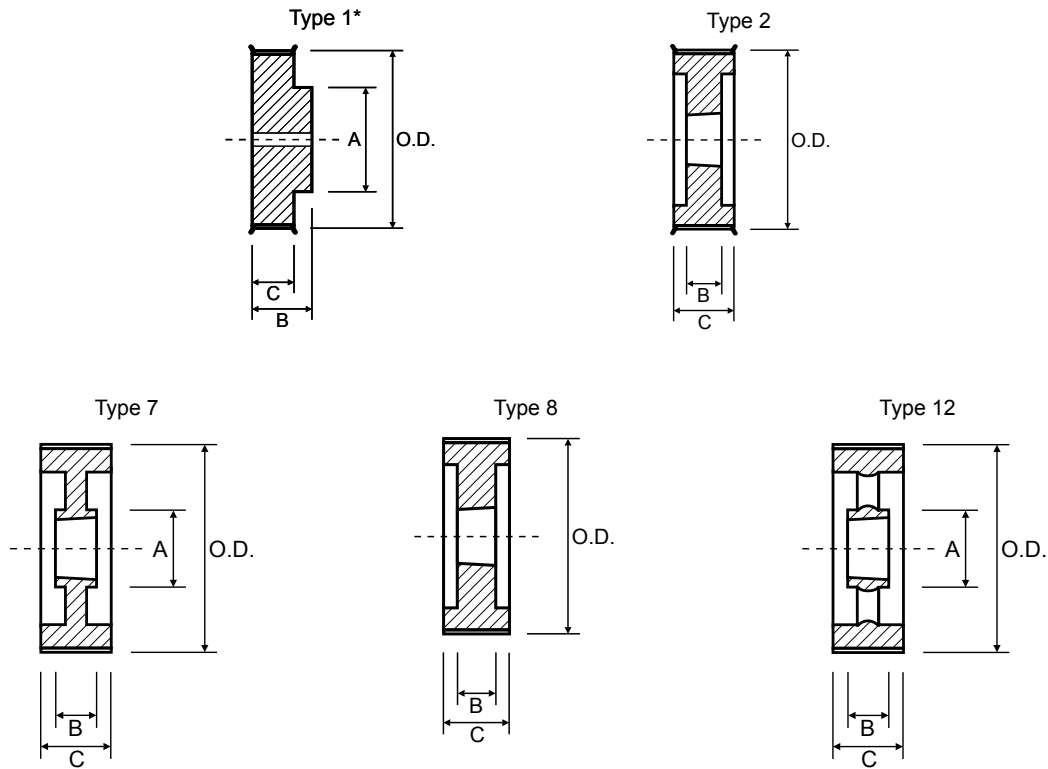
14M-68 Suits 68mm wide belt

Part No.	O.D.	Type	Bush	A	B	C = 84.0
14M-28S-68F	122.0	1*	-	101.0	108.0	Flanged
14M-30S-68F	130.9	1*	-	110.0	108.0	
14M-32S-68F	139.8	1*	-	116.0	108.0	
14M-34S-68F	148.7	1*	-	132.0	104.0	
14M-36S-68F	157.6	1*	-	131.0	104.0	
14M-38S-68F	166.5	1*	-	141.0	104.0	
14M-40S-68F	175.5	1*	-	156.0	104.0	
14M-44S-68F	193.3	2	3020	-	51.0	
14M-48S-68F	211.1	3	3020	-	51.0	
14M-50S-68F	220.0	2	3535	-	65.0	
14M-56S-68F	246.8	2	3535	-	65.0	
14M-60S-68	264.6	8	3535	-	65.0	
14M-64S-68	282.4	8	3535	-	65.0	
14M-72S-68	318.1	7	3535	178.0	65.0	
14M-80S-68	353.7	7	3535	178.0	65.0	
14M-90S-68	398.3	12	3535	178.0	65.0	
14M-112S-68	496.3	12	3535	178.0	65.0	
14M-140S-68	621.1	12	3535	206.0	65.0	
14M-168S-68	745.9	12	3535	206.0	65.0	
14M-192S-68	852.8	12	4040	215.0	76.0	

Contact TransDrive for Material Specification

No Flanges

90mm



14M-90 Suits 90mm wide belt

Part No.	O.D.	Type	Bush	A	B	C = 106.0
14M-28S-90F	122.0	1*	-	101.0	127.0	Contact TransDrive for Material Specification
14M-30S-90F	130.9	1*	-	110.0	127.0	
14M-32S-90F	139.8	1*	-	116.0	127.0	
14M-34S-90F	148.7	1*	-	124.0	131.0	
14M-36S-90F	157.6	1*	-	131.0	136.0	
14M-38S-90F	166.5	1*	-	141.0	136.0	
14M-40S-90F	175.5	1*	-	156.0	136.0	
14M-44S-90F	193.3	1*	-	169.0	136.0	
14M-48S-90F	211.1	2	3525	-	66.0	
14M-50S-90F	220.0	2	3525	-	66.0	
14M-56S-90F	246.8	2	3525	-	66.0	
14M-60S-90	264.6	8	3525	-	66.0	
14M-64S-90	282.4	8	3525	-	66.0	
14M-72S-90	318.1	7	3525	178.8	66.0	
14M-80S-90	353.7	7	4030	215.0	76.0	No Flanges
14M-90S-90	398.3	7	4030	215.0	76.0	
14M-112S-90	496.3	12	4535	215.0	90.0	
14M-140S-90	621.1	12	4535	215.0	90.0	
14M-168S-90	745.9	12	5040	267.0	102.0	
14M-192S-90	852.8	12	5040	267.0	102.0	

Mi-Lock V-Pulleys

Mi-Lock Pulleys are designed with a locking mechanism to enhance stability during lifting and tensioning tasks. One notable feature of Mi-lock pulleys is their ability to be combined to create multi-groove pulleys of varying sections and sizes, which can help reduce overall inventory. These pulleys are known for their durability and reliability, making them suitable for a wide range of applications in industries such as construction and manufacturing.

Our cast iron Mi-lock pulleys are capable of accommodating both A and B section belts, with pitch circle sizing based on the PCD of A section belts.



Mi-Lock V-Pulleys

Our cast iron Mi-lock pulleys are capable of accommodating both A and B section belts, with pitch circle sizing based on the PCD of A section belts.

Also stocked: No 1 Long Bolt to Suit Twin Pulley, No 1 Bush Retainer Kit, No 2 Long Bolt to Suit Twin Pulley, No 2 Bush Retainer Kit.



Part No	Pulley Size Pitch A	Pulley Size Pitch B	Outside Diameter	Mass Kg	Suitable Bush & Size
71MM-MI-LOCK	71mm	81mm	88mm	0.42	No 1
75MM-MI-LOCK	75mm	85mm	92mm	0.47	No 1
80MM-MI-LOCK	80mm	90mm	97mm	0.53	No 1
85MM-MI-LOCK	85mm	95mm	102mm	0.62	No 1
90MM-MI-LOCK	90mm	100mm	107mm	0.72	No 1
95MM-MI-LOCK	95mm	105mm	111mm	0.80	No 1
100MM-MI-LOCK	100mm	110mm	117mm	0.91	No 1
106MM-MI-LOCK	106mm	116mm	123mm	0.98	No 1
112MM-MI-LOCK	112mm	122mm	129mm	1.02	No 1
118MM-MI-LOCK	118mm	128mm	135mm	1.05	No 1
125MM-MI-LOCK	125mm	135mm	142mm	1.17	No 1
132MM-MI-LOCK	132mm	142mm	149mm	1.28	No 1
140MM-MI-LOCK	140mm	150mm	157mm	1.49	No 2
150MM-MI-LOCK	150mm	160mm	167mm	1.61	No 2
160MM-MI-LOCK	160mm	170mm	177mm	1.75	No 2
180MM-MI-LOCK	180mm	190mm	197mm	2.03	No 2
200MM-MI-LOCK	200mm	209mm	216mm	2.38	No 2
224MM-MI-LOCK	224mm	233mm	240mm	3.34	No 2
250MM-MI-LOCK	250mm	259mm	266mm	4.22	No 2
280MM-MI-LOCK	280mm	289mm	296mm	4.34	No 2
315MM-MI-LOCK	315mm	324mm	331mm	4.45	No 2
355MM-MI-LOCK	355mm	364mm	371mm	4.94	No 2
400MM-MI-LOCK	400mm	409mm	416mm	7.51	No 2
450MM-MI-LOCK	450mm	459mm	466mm	9.05	No 2

Mi-Lock No 1 Bushes

Bore Size	
Metric	Imperial
10mm	3/8"
12mm	7/16"
14mm	1/2"
15mm	9/16"
16mm	5/8"
18mm	11/16"
19mm	3/4"
20mm	13/16"
22mm	7/8"
24mm	15/16"
25mm	1"
28mm	1-1/16"
	1-1/8"

Mi-Lock No 2 Bushes

Bore Size	
Metric	Imperial
16mm	1/2"
18mm	9/16"
19mm	5/8"
20mm	11/16"
22mm	3/4"
24mm	13/16"
25mm	7/8"
28mm	15/16"
30mm	1"
32mm	1-1/8"
35mm	1-1/16"
38mm	1-3/16"
40mm	1-1/4"
42mm	1-5/16"
	1-3/8"
	1-7/16"
	1-1/2"
	1-9/16"



TRANSDRIVE[®]

DRIVE PERFORMANCE

Need more information about
TransDrive products, customised
products and services, get in touch.

info@transdrive.com.au
transdrive.com.au

Supplier

