

# Oil Seals



DISTRIBUTED BY



**CHAIN & DRIVES**  
COMPLETE BEARINGS  
& POWER TRANSMISSION

**SERVICE & SUPPORT**

Wangara, WA      Welshpool, WA      Arndell Park, NSW  
+61 8 9303 4966    +61 8 6314 1155    +61 2 9674 8611  
support@chainanddrives.com.au    salesnsw@chainanddrives.com.au

[chainanddrives.com.au](http://chainanddrives.com.au)







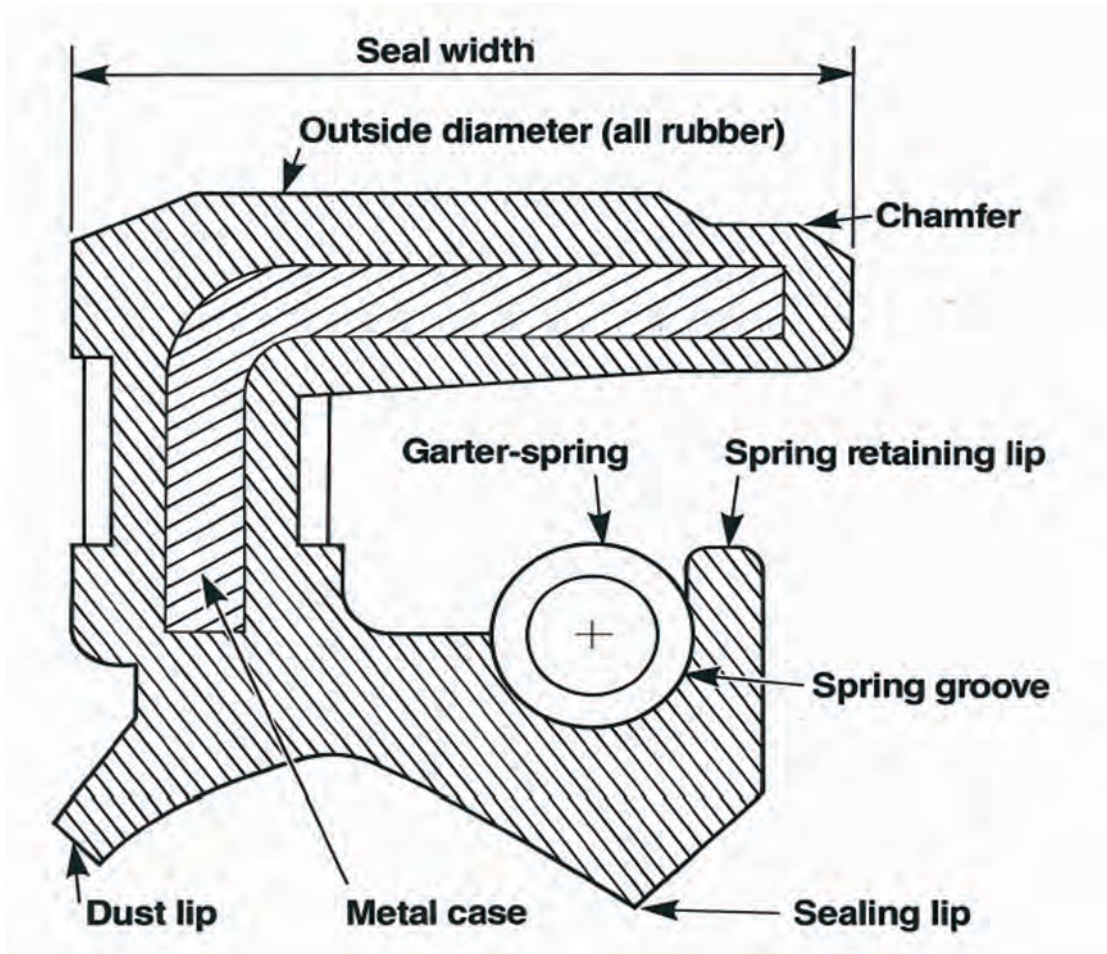
## SEAGULL OIL SEALS

---

Design & Selection .....	432
Imperial Oil Seals .....	435
Metric Oil Seals.....	437
Automotive Oil Seals .....	440
Oil Seal Cross Reference.....	441

Finer Power Transmissions stock a large range of Nitrile/Natural Buna Rubber (NBR) oil seals. These are the most commonly used seals and have excellent resistance to the swelling effects of petroleum oils with a working temperature between  $-40^{\circ}\text{C}$  and  $+120^{\circ}\text{C}$ .

## TC Oil Seal Design

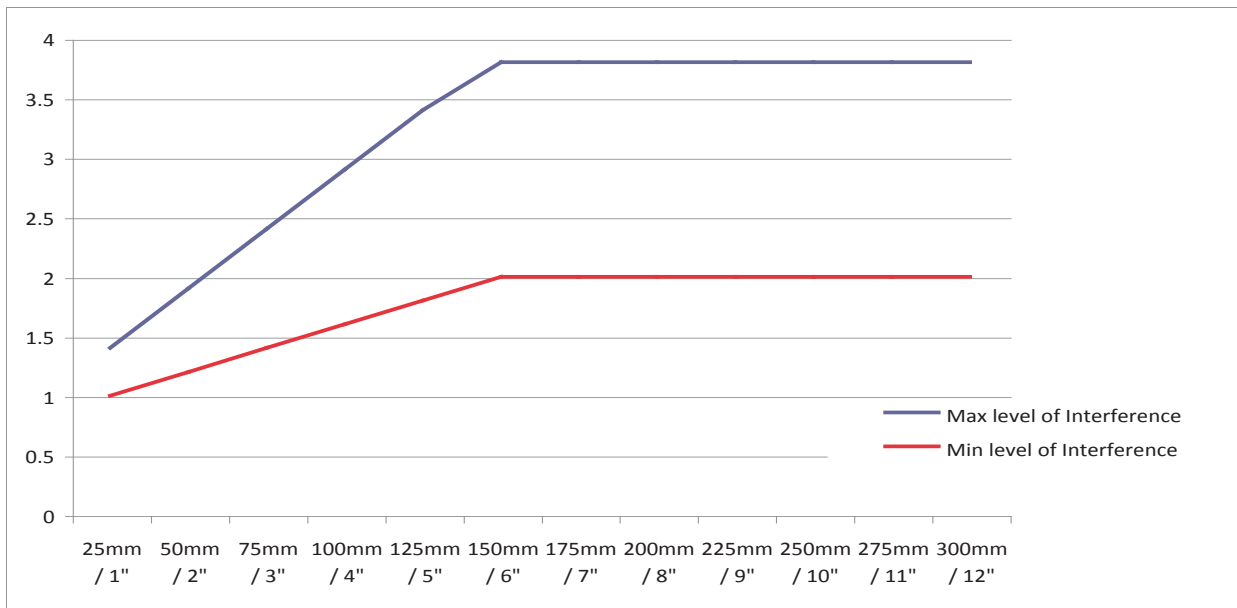


## How to select an oil seal

To select the shaft size of an oil seal, the spring lip can be measured and by adding the expected interference with the shaft (using below graph), an estimation of the shaft size can be made.

An allowance must be made for seal lip wear. A heavily worn lip can end up the same as the shaft size. Each application must be considered on its own circumstances.

### Interference Levels (mm)



Eg - The spring lip measures 48.5mm and does not appear to be heavily worn, the shaft diameter would be between 49.6mm and 50.3mm ( $48.5 + 1.1 = 49.6$ ,  $48.5 + 1.8 = 50.3$ ). Shaft size is most likely 50mm.

DIAMETRICAL TOLERANCE				
Outside Diameter	Metal Cased		Rubber Covered	
	mm	Inches	mm	Inches
Under 50mm / 1.968"	+0.20	+0.008	+0.30	+0.012
	+0.08	+0.003	+0.15	+0.006
50mm / 1.968" - 80mm / 3.150"	+0.23	+0.009	+0.35	+0.014
	+0.09	+0.0035	+0.20	+0.008
80mm / 3.150" - 120mm / 4.724"	+0.25	+0.010	+0.35	+0.014
	+0.10	+0.004	+0.20	+0.008
120mm / 4.724" - 180mm / 7.087"	+0.28	+0.011	+0.45	+0.018
	+0.12	+0.005	+0.25	+0.010
180mm / 7.087" - 300mm / 11.811"	+0.35	+0.014	+0.45	+0.018
	+0.15	+0.006	+0.25	+0.010
300mm / 11.811" - 440mm / 17.323"	+0.45	+0.018	+0.55	+0.022
	+0.20	+0.008	+0.30	+0.012

An oil seal can also be selected by the expected interference of the outside diameter of the seal using this chart.

Eg - A seal with a rubber cover would be made to suit a recess between 49.87 and 50.01 ( $50.1 - 0.23 = 49.87$ ,  $50.1 - 0.09 = 50.01$ ). Shaft size is most likely 50mm.

If the sample seal does not appear too badly damaged, it can be measured purely by dimensions (inside, outside, width).

Seal widths are not generally critical. A narrower seal will in most cases always replace a wider seal. Wider seals can also replace narrower seals if there is sufficient space in the application to allow it.



## Recommended Practice Shaft ISO Limits

### Tolerances

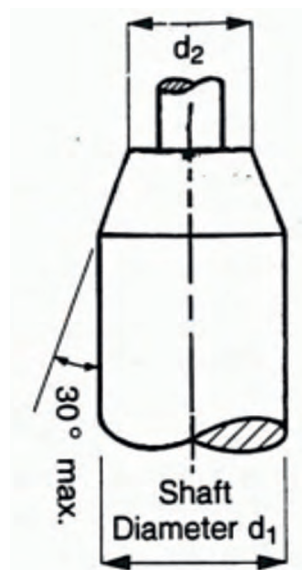
Shaft diameters should conform to the tolerance bands if ISO h.11.

Relative to the application, departures from roundness of shafts must be kept as low as practicable.

### Shaft lead-in chamfer to ISO Standards.

If a shaft lead-in chamfer is used, it cannot be less than d1-d2 diametral difference in the table below.

d1 (mm)	d1-d2 (mm)
Up to 10	1.5
11-20	2
21-30	2.5
31-40	3
41-50	3.5
51-70	4
71-95	4.5
96-130	5.5
131-240	7
241-400	11



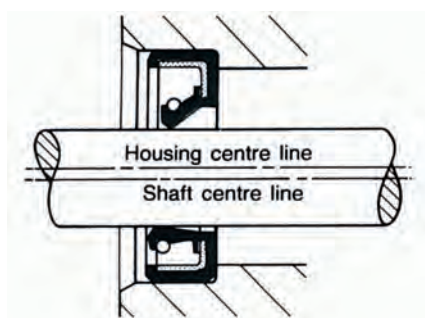
### Shaft Eccentricity

Shaft should run in true concentricity with the bore of the housing. When this cannot be assured, eccentricity must be kept to a minimum. Due to inertia, excessive eccentricity may cause the sealing lip to lift at high surface speeds resulting in leakage.

Ideally the seal will be located next to a bearing and bearing play should be minimized.

Eccentricity appears in two forms and may unfavorably affect the seal.

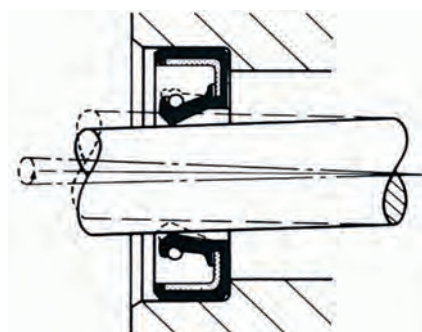
### Shaft to Housing Bore Misalignment



Due to errors machining or excessive build-up of adverse tolerances can cause excessive wear on one side of sealing lip because of unilateral loading of lip.

### Shaft Runout or Whip

This is when the geometric axis does not coincide with the axis of rotation which may cause lift in the bearing due to wear, flexing of the shaft due to imbalance and excessive overhang or overloading. These conditions may extremely impair the effectiveness of the seal. When operating at high speeds the rate of recovery of the seal lip may not be sufficient to maintain constant contact with shaft.





## Seagull Oil Seals - Imperial

250-625-187SC	750-1750-375SC	1125-1500-250TC	1375-2062-250TC	1625-2250-500TC	1875-2812-375TC
250-750-250TC	750-1812-250TC	1125-1625-375SC	1375-2125-375TC	1375-2125-375TC	1875-2875-375TC
250-1000-250TC	750-1875-250TC	1125-1687-250TC	1375-2187-375TC	1625-2437-375TC	1875-2937-375TC
312-750-250TC	750-1937-375TC	1125-1750-375TC	1375-2250-375TC	1625-2500-375TC	1875-3000-375TC
312-875-250TC	812-1187-250SC	1125-1812-250TC	1375-2312-375TC	1625-2562-375TC	1875-3125-375TC
375-750-250TC	812-1312-250TC	1125-1875-375TC	1375-2375-375TC	1625-2625-375SC	1938-2625-375TC
375-875-250TC	812-1375-250TC	1125-2000-375TC	1375-2437-375TC	1625-2687-375TC	1938-2750-375TC
375-1000-250TC	812-1500-375TC	1125-2062-250SC	1375-2500-375TC	1625-2750-375SC	1938-3000-375TC
375-1062-250TC	812-1625-375SC	1125-2125-250SC	1375-2687-375TC	1625-2812-375TC	2000-2500-250TC
375-1125-250SC	812-2000-375TC	1125-2250-375SC	1375-2750-375TC	1625-2875-375TC	2000-2625-375TC
375-1375-375SC	875-1250-250TC	1125-2312-375TC	1375-2875-375TC	1625-2937-375TC	2000-2687-375TC
375-1500-375TC	875-1375-250TC	1125-2375-375TC	1375-3000-375TC	1625-3000-375TC	2000-2750-375TC
437-875-250TC	875-1500-250TC	1125-2437-375TC	1437-2125-250TC	1687-2500-375TC	2000-2875-375TC
437-1000-250TC	875-1500-375TC	1125-2500-375TC	1437-2250-375TC	1687-2750-375TC	2000-2937-375TC
437-1125-375TC	875-1625-375TC	1187-1750-250TC	1437-2375-375TC	1687-3000-375TC	2000-3000-375TC
500-875-250TC	875-1875-375TC	1187-1875-250SC	1437-2500-375TC	1750-2250-375TC	2000-3062-375TC
500-937-250TC	875-1937-375TC	1187-2000-250TC	1500-2000-375TC	1750-2312-250TC	2000-3125-375SC
500-1000-250TC	875-2000-375TC	1250-1625-250TC	1500-2062-250TC	1750-2375-375TC	2000-3250-375SC
500-1062-250TC	937-1375-250TC	1250-1687-250TC	1500-2125-375TC	1750-2437-375TC	2000-3375-375TC
500-1125-250TC	937-1500-250TC	1250-1750-250TC	1500-2187-375TC	1750-2500-375TC	2000-3500-375SC
500-1375-250TC	937-1750-375TC	1250-1750-375TC	1500-2250-375TC	1750-2562-375TC	2000-3625-500TC
562-1000-250TC	1000-1375-250TC	1250-1875-375TC	1500-2375-375TC	1750-2625-375TC	2000-3750-500TC
562-1125-250TC	1000-1437-250TC	1250-1937-375TC	1500-2437-375TC	1750-2687-375TC	2062-2875-375SC
562-1250-250SC	1000-1500-250TC	1250-2000-375TC	1500-2500-375TC	1750-2750-375TC	2062-3000-375TC
625-937-250TC	1000-1500-375TC	1250-2062-250SC	1500-2562-375TC	1750-2812-375TC	2125-2750-375TC
625-1000-250TC	1000-1625-375TC	1250-2125-375SC	1500-2625-375SC	1750-2875-375TC	2125-2875-375TC
625-1062-250TC	1000-1687-250TC	1250-2187-375TC	1500-2687-375TC	1750-2937-375TC	2125-3000-375TC
625-1125-250TC	1000-1750-375TC	1250-2250-375TC	1500-2750-375TC	1750-3000-375TC	2125-3062-375SC
625-1250-250TC	1000-1812-250TC	1250-2312-375TC	1500-2812-375TC	1750-3125-375TC	2125-3125-375TC
625-1500-375TC	1000-1875-250TC	1250-2375-375SC	1500-2875-375SC	1750-3375-375TC	2125-3250-375TC
687-1125-250TC	1000-2000-375TC	1250-2500-375SC	1500-2937-375TC	1750-3500-500TC	2125-3375-375SC
687-1250-250TC	1000-2062-250SC	1250-2625-375TC	1500-3000-375TC	1750-3625-500TC	2125-3500-375SC
687-1375-250TC	1000-2125-250TC	1250-2750-375TC	1562-2125-375TC	1812-2500-375TC	2187-2562-250TC
750-1125-250TC	1000-2187-375TC	1250-2875-250TC	1562-2250-375TC	1812-2625-375TC	2187-2875-375TC
750-1187-250TC	1000-2250-375TC	1312-2000-250TC	1562-2375-375TC	1812-2750-375TC	2187-3000-375TC
750-1250-250TC	1000-2312-375TC	1312-2125-375TC	1562-2500-250SC	1812-2875-375TC	2187-3250-375TC
750-1375-250TC	1000-2500-375TC	1312-2250-375TC	1562-2625-375TC	1812-3000-375TC	2250-2750-375TC
750-1375-375TC	1062-1500-250TC	1312-2375-375TC	1562-2750-375TC	1875-2375-250TC	2250-2875-375TC
750-1437-250SC	1062-1625-250TC	1312-2500-375TC	1562-3000-375TC	1875-2500-375TC	2250-3000-375TC
750-1500-375TC	1062-1750-375TC	1375-1875-250TC	1625-2125-375TC	1875-2625-375TC	2250-3062-375SC
750-1625-375TC	1062-1875-375TC	1375-2000-375TC	1625-2187-375TC	1875-2750-375TC	2250-3125-375TC

Legend: 1000 = 1"



## Seagull Oil Seals - Imperial

2250-3187-375TC	2625-3875-500SC	3250-4000-500TC	3750-5000-500TC	4500-5750-500SC	6500-8000-500SC
2250-3250-375SC	2625-4000-500TC	3250-4125-500SC	3750-5625-500TC	4500-6000-500TC	6625-7625-500TC
2250-3375-375TC	2625-4125-500SC	3250-4250-500TC	3812-4875-500TC	4500-6250-500TC	6750-7750-500TC
2250-3500-500TC	2687-3500-375SC	3250-4375-500TC	3875-4625-500TC	4562-5625-500SC	6875-7625-500SC
2250-3625-375TC	2750-3500-375TC	3250-4500-500TC	3875-4750-500SC	4625-5625-500SC	6875-7875-500SC
2250-3750-375SC	2750-3625-375TC	3250-4625-500SC	3875-4875-500TC	4625-5750-500TC	7000-8000-500TC
2313-3125-375SC	2750-3750-375TC	3250-4750-500SC	3875-5000-500SC	4625-6000-500TC	7000-8500-500TC
2313-3187-375TC	2750-3875-375TC	3312-4375-500TC	3875-5250-500TC	4687-5750-500TC	7125-8625-562TC
2313-3375-375TC	2750-4000-500TC	3312-4500-500TC	3875-5375-500TC	4750-5750-500TC	7250-8750-562TC
2375-2875-375TC	2750-4125-500SC	3375-4125-500SC	3875-5687-500TC	4750-6250-500TC	7250-8875-625TC
2375-3000-375TC	2750-4250-500SC	3375-4250-500TC	3937-5000-500TC	4812-5875-500TC	7375-8875-562TC
2375-3062-375SC	2750-4500-500TC	3375-4375-500SC	4000-4750-500TC	4937-6000-500TC	7500-8500-500TC
2375-3125-375TC	2812-3375-375SC	3375-4500-500TC	4000-5000-500TC	5000-5750-500TC	7500-9000-500TC
2375-3250-375SC	2812-3625-375TC	3375-4625-500SC	4000-5125-500TC	5000-6000-500TC	7625-9125-562TC
2375-3250-500TC	2875-3625-375TC	3375-4750-500TC	4000-5250-500TC	5000-6250-500TC	7750-9250-562TC
2375-3375-375TC	2875-3875-375SC	3375-4875-500TC	4000-5375-500TC	5000-6500-500TC	7875-9375-562TC
2375-3500-375TC	2875-4000-500TC	3375-5000-500TC	4000-5500-500TC	5062-6125-500TC	8000-9000-500TC
2375-3625-375SC	2875-4125-500SC	3437-4500-500TC	4000-5625-500TC	5125-6125-500TC	8000-9500-562TC
2375-3750-375TC	2875-4250-500SC	3500-4125-500SC	4000-5750-500TC	5125-6750-500TC	8125-9625-562TC
2437-3250-375TC	2875-4500-500TC	3500-4250-500SC	4062-5125-500SC	5187-6250-500SC	8250-9750-562TC
2437-3625-500TC	2937-3750-375SC	3500-4375-500TC	4125-5000-500TC	5250-6250-500SC	8375-9875-562TC
2500-3000-375TC	3000-3750-375TC	3500-4500-500TC	4125-5125-500SC	5312-6375-500SC	8500-10000-562TC
2500-3062-375TC	3000-3875-375TC	3500-4625-500TC	4187-5250-500SC	5375-6375-500SC	8625-10125-562TC
2500-3187-375TC	3000-4000-500TC	3500-4750-500TC	4187-5875-500TC	5437-6500-500SC	8750-10250-562TC
2500-3250-375TC	3000-4125-500SC	3500-4875-500SC	4250-5000-500TC	5500-6500-500TC	8875-10375-562TC
2500-3375-375SC	3000-4250-500SC	3500-5000-500TC	4250-5250-500TC	5562-6625-500TC	9000-10000-625TC
2500-3500-375TC	3000-4375-500TC	3500-5250-500TC	4250-5500-500TC	5625-7000-500TC	9000-10500-562TC
2500-3625-375TC	3000-4500-500TC	3562-4625-500SC	4250-5625-500SC	5625-7500-500TC	9125-10625-562TC
2500-3750-375TC	3000-4625-500SC	3625-4375-500TC	4250-5750-500TC	5687-6750-500SC	9250-10750-562TC
2500-3875-500TC	3000-4750-500SC	3625-4500-500SC	4250-6000-500TC	5750-6750-500TC	9375-10875-562TC
2500-4000-500TC	3000-5000-500TC	3625-4625-500TC	4250-6250-500TC	5812-6875-500TC	9500-11000-562TC
2500-4125-500SC	3062-4125-500SC	3625-4750-500TC	4312-5375-500SC	5875-6875-500TC	9625-11125-562TC
2562-3375-375SC	3125-3875-375SC	3625-5000-500TC	4375-5250-500TC	5937-7000-500TC	9750-11250-562TC
2562-3500-500TC	3125-4000-500TC	3625-5250-500SC	4375-5375-500TC	6000-7000-500TC	9875-11375-562TC
2562-3750-500TC	3125-4250-500SC	3687-4750-500TC	4375-5750-500TC	6000-7187-625TC	10000-11500-562TC
2625-3125-375SC	3125-4375-500SC	3687-5625-500TC	4375-6000-500TC	6000-7500-500TC	9625-11125-562TC
2625-3250-375SC	3125-4500-500TC	3750-4375-500SC	4375-6250-500TC	6125-7125-500TC	9750-11250-562TC
2625-3375-375TC	3125-4625-500TC	3750-4500-500SC	4437-5500-500SC	6250-7000-500TC	9875-11375-562TC
2625-3500-375SC	3125-4750-500TC	3750-4625-500SC	4500-5250-500TC	6250-7250-500TC	10000-11500-562TC
2625-3625-375TC	3187-4250-500TC	3750-4750-500TC	4500-5375-500SC	6375-7375-500SC	Legend: 1000 = 1"
2625-3750-375SC	3187-4500-500TC	3750-4875-500TC	4500-5500-500TC	6500-7500-500TC	





## Seagull Oil Seals - Metric

5X18X7TC	13X25X7TC	17X30X7TC	20X45X7TC	25X45X8TC	30X45X7TC
6X16X7TC	13X26X7TC	17X32X7TC	20X47X7TC	25X47X7TC	30X45X8TC
6X19X7TC	13X27X7TC	17X35X7TC	20X48X7TC	25X48X8TC	30X46X7TC
6X22X7TC	13X28X7TC	17X36X7TC	20X50X7TC	25X50X8TC	30X47X7TC
6X24X7TC	13X30X7TC	17X37X7TC	20X52X7TC	25X52X7TC	30X48X7TC
7X22X7TC	13X35X7TC	17X38X7TC	22X32X7TC	25X55X8TC	30X50X8TC
8X16X7TC	14X22X7TC	17X40X8TC	22X35X7TC	25X60X8TC	30X52X7TC
8X18X7TC	14X24X7TC	17X45X7TC	22X36X7TC	25X62X8TC	30X55X8TC
8X19X7TC	14X25X7TC	17X46X7TC	22X37X7TC	26X37X7TC	30X56X10TC
8X22X7TC	14X26X7TC	17X47X8TC	22X38X7TC	26X40X7TC	30X58X10TC
8X24X7TC	14X27X7TC	18X28X7TC	22X40X8TC	26X42X8TC	30X60X8TC
9X18X7TC	14X28X7TC	18X30X7TC	22X42X7TC	26X45X8TC	30X62X8TC
9X22X7TC	14X30X7TC	18X32X7TC	22X43X8TC	26X47X7TC	30X65X8TC
9X24X7TC	14X32X7TC	18X33X7TC	22X45X7TC	27X37X7TC	30X68X8TC
9X26X7TC	14X35X7TC	18X35X7TC	22X47X7TC	27X40X7TC	30X70X8TC
9X28X8TC	15X24X7TC	18X36X7TC	22X48X8TC	27X41X7TC	30X72X8TC
10X18X7TC	15X25X7TC	18X37X7TC	22X50X8TC	27X42X8TC	31X50X8TC
10X19X7TC	15X26X7TC	18X38X7TC	22X52X7TC	27X43X9TC	32X42X8TC
10X20X7TC	15X28X7TC	18X40X7TC	23X35X7TC	27X45X8TC	32X44X7TC
10X22X7TC	15X30X7TC	19X30X8TC	23X37X7TC	27X47X8TC	32X45X8TC
10X24X7TC	15X32X7TC	19X32X7TC	23X40X7TC	27X48X8TC	32X46X8TC
10X25X7TC	15X33X7TC	19X35X7TC	23X42X7TC	27X52X8TC	32X47X7TC
10X26X7TC	15X35X7TC	19X36X7TC	24X34X7TC	28X38X7TC	32X48X8TC
10X28X7TC	15X36X7TC	19X37X7TC	24X35X7TC	28X40X8TC	32X50X8TC
10X30X7TC	15X37X7TC	19X38X7TC	24X37X7TC	28X42X8TC	32X52X7TC
10X35X7TC	15X38X7TC	19X40X7TC	24X38X7TC	28X43X7TC	32X52X8TC
11X22X7TC	15X40X7TC	19X42X7TC	24X40X7TC	28X45X7TC	32X54X8TC
11X26X7TC	15X42X7TC	19X45X7TC	24X42X7TC	28X45X8TC	32X55X8TC
12X21X7TC	16X24X7TC	19X47X7TC	24X45X7TC	28X47X7TC	32X56X10TC
12X22X7TC	16X26X7TC	20X28X7TC	24X47X7TC	28X48X7TC	32X58X8TC
12X23X7TC	16X28X7TC	20X30X7TC	24X50X8TC	28X50X8TC	32X60X8TC
12X24X7TC	16X30X7TC	20X32X7TC	24X52X7TC	28X52X8TC	32X62X8TC
12X25X7TC	16X32X7TC	20X32X8TC	25X35X7TC	28X55X7TC	32X65X10TC
12X26X7TC	16X35X7TC	20X34X7TC	25X36X7TC	29X40X8TC	32X78X10TC
12X27X7TC	16X36X7TC	20X35X7TC	25X37X7TC	29X50X8TC	33X45X7TC
12X28X7TC	16X37X7TC	20X36X7TC	25X38X7TC	29X52X8TC	33X50X7TC
12X30X7TC	16X38X7TC	20X37X7TC	25X39X7TC	30X40X7TC	33X52X10TC
12X32X7TC	16X40X7TC	20X38X7TC	25X40X7TC	30X41X7TC	33X55X10TC
12X35X7TC	16X45X7TC	20X40X7TC	25X42X8TC	30X42X7TC	33X56X10TC
12X37X7TC	17X26X7TC	20X40X8TC	25X43X7TC	30X43X8TC	34X44X8TC
13X20X7TC	17X28X7TC	20X42X7TC	25X44X7TC	30X44X9TC	34X46X8TC



## Seagull Oil Seals - Metric

34X48X8TC	37X59X8TC	42X52X8TC	47X62X8TC	54X72X10TC	60X110X10TC
34X50X7TC	37X60X9TC	42X55X8TC	47X65X8TC	54X74X8TC	60X130X10TC
34X52X8TC	37X62X10TC	42X56X8TC	47X70X8TC	54X81X10TC	62X80X10TC
34X54X9TC	38X50X7TC	42X58X8TC	48X60X8TC	54X82X10TC	62X82X10TC
34X55X10TC	38X52X8TC	42X60X8TC	48X62X8TC	55X67X10TC	62X85X10TC
34X58X10TC	38X54X8TC	42X62X8TC	48X65X8TC	55X68X10TC	62X90X10TC
34X62X10TC	38X55X8TC	42X65X8TC	48X68X8TC	55X70X10TC	62X95X10TC
34X72X10TC	38X56X10TC	42X67X10TC	48X70X8TC	55X72X10TC	62X100X10TC
34X75X10TC	38X58X8TC	42X68X10TC	48X72X8TC	55X75X10TC	63X82X8TC
35X42X8TC	38X60X8TC	42X70X8TC	48X74X10TC	55X78X10TC	63X85X10TC
35X45X7TC	38X62X10TC	42X72X8TC	48X75X8TC	55X80X10TC	63X90X10TC
35X46X8TC	38X65X10TC	42X75X8TC	48X80X8TC	55X82X10TC	64X80X8TC
35X47X7TC	38X68X10TC	43X56X7TC	48X82X8TC	55X85X10TC	64X85X10TC
35X48X8TC	38X70X10TC	43X60X10TC	48X85X8TC	55X90X10TC	65X80X10TC
35X50X8TC	38X72X10TC	43X64X10TC	50X62X8TC	55X95X10TC	65X82X10TC
35X52X8TC	38X74X10TC	43X66X10TC	50X65X8TC	55X100X10TC	65X85X10TC
35X54X8TC	38X75X8TC	43X69X10TC	50X67X9TC	55X120X10TC	65X88X8TC
35X55X9TC	38X80X8TC	43X73X10TC	50X68X8TC	56X70X8TC	65X90X10TC
35X56X8TC	39X62X7TC	44X58X10TC	50X69X10TC	56X72X8TC	65X92X10TC
35X57X10TC	39X63X7TC	44X60X7TC	50X70X8TC	56X78X10TC	65X95X10TC
35X58X10TC	39X65X10TC	44X61X8TC	50X72X8TC	56X80X8TC	65X100X10TC
35X60X8TC	40X50X8TC	44X62X8TC	50X74X10TC	56X85X8TC	65X105X10TC
35X62X8TC	40X52X8TC	44X65X8TC	50X75X10TC	57X85X7TC	65X110X10TC
35X65X8TC	40X54X7TC	44X72X10TC	50X78X10TC	58X72X8TC	65X115X12TC
35X68X10SC	40X55X8TC	45X55X7TC	50X80X10TC	58X74X10TC	65X120X10TC
35X70X8TC	40X56X8TC	45X58X7TC	50X82X8TC	58X75X10TC	65X140X10TC
35X72X8TC	40X58X8TC	45X60X8TC	50X85X10TC	58X80X8TC	67X85X10TC
35X75X8TC	40X60X8TC	45X62X8TC	50X90X10TC	58X85X10TC	67X89X10TC
35X77X9TC	40X62X8TC	45X65X8TC	50X95X13TC	58X90X10TC	68X85X10TC
35X80X8TC	40X65X8TC	45X67X10TC	50X110X10TC	60X70X10TC	68X88X9TC
36X47X7TC	40X68X8TC	45X68X8TC	52X68X8TC	60X72X10TC	68X90X10TC
36X48X7TC	40X70X8TC	45X70X10TC	52X69X8TC	60X74X10TC	68X100X10TC
36X50X7TC	40X72X8TC	45X72X8TC	52X70X8TC	60X75X8TC	70X85X10TC
36X52X8TC	40X73X8TC	45X75X10TC	52X72X10TC	60X78X10TC	70X87X10TC
36X54X8TC	40X75X8TC	45X80X10TC	52X75X10TC	60X80X10TC	70X88X10TC
36X58X10TC	40X80X10TC	45X85X10TC	52X80X10TC	60X82X10TC	70X90X10TC
36X60X8TC	40X85X8TC	45X90X8TC	52X85X10TC	60X85X8TC	70X92X10TC
36X62X8TC	40X90X8TC	45X100X10TC	52X90X10TC	60X90X10TC	70X95X10TC
36X72X9TC	41X55X8TC	46X64X8TC	53X68X10TC	60X95X10TC	70X100X10TC
37X50X10TC	41X56X7TC	46X72X10TC	54X68X10TC	60X100X10TC	70X105X10TC
37X52X7TC	41X58X9TC	46X78X10TC	54X70X10TC	60X105X10TC	70X110X10TC



## Seagull Oil Seals - Metric

70X112X10TC	85X100X10TC	100X125X12TC	120X165X12TC	150X180X15TC	210X250X15TC
70X115X13TC	85X105X10TC	100X130X12TC	120X170X15TC	150X190X15TC	215X240X12TC
70X125X13TC	85X110X10TC	100X135X12TC	120X180X15TC	150X200X15TC	215X250X16TC
70X150X13TC	85X115X13TC	100X140X13TC	120X215X15TC	150X210X15TC	220X250X15TC
72X88X8TC	85X120X12TC	100X150X13TC	120X260X15TC	150X225X15TC	220X255X16TC
72X90X10TC	85X125X12TC	100X180X13TC	125X143X13TC	155X180X15TC	220X260X14TC
72X95X10TC	85X130X13TC	105X125X13TC	125X145X15TC	155X190X15TC	220X270X15TC
72X100X10TC	85X140X12TC	105X130X12TC	125X150X12TC	155X200X15TC	225X250X15TC
72X105X13TC	85X150X12TC	105X135X12TC	125X155X12TC	160X180X13TC	230X260X15TC
73X100X10TC	85X180X12TC	105X140X12TC	125X160X12TC	160X185X13TC	230X265X15TC
75X90X10TC	88X110X12TC	105X145X12TC	125X165X15TC	160X190X15TC	230X270X16TC
75X95X10TC	88X115X13TC	105X150X13TC	125X170X15TC	160X200X15TC	230X280X15TC
75X100X10TC	90X105X12TC	105X160X13TC	128X150X13TC	160X240X15TC	235X270X16TC
75X105X10TC	90X110X12TC	105X170X12TC	130X150X12TC	160X290X15TC	240X270X15TC
75X110X10TC	90X115X13TC	105X190X13TC	130X160X15TC	165X190X12TC	240X280X15TC
75X115X12TC	90X118X12TC	110X130X12TC	130X165X15TC	165X200X15TC	250X280X15TC
75X120X12TC	90X120X12TC	110X135X12TC	130X170X15TC	170X190X13TC	250X285X15TC
75X130X13TC	90X125X12TC	110X140X12TC	130X180X15TC	170X200X15TC	250X290X15TC
75X160X13TC	90X130X13TC	110X145X12TC	130X200X15TC	170X210X15TC	260X290X15TC
76X110X13TC	90X135X12TC	110X150X12TC	135X160X15TC	170X220X16TC	260X300X18TC
77X93X10TC	90X140X12TC	110X155X12TC	135X165X15TC	175X200X15TC	270X300X15TC
77X95X10TC	90X160X12TC	110X160X13TC	135X170X15TC	175X210X15TC	280X310X15TC
78X100X10TC	90X190X12TC	110X170X13TC	140X160X13TC	180X200X15TC	280X320X18TC
80X95X8TC	94X126X12TC	110X200X13TC	140X165X15TC	180X210X15TC	285X310X16TC
80X100X10TC	95X110X12TC	114X135X13TC	140X170X15TC	180X215X15TC	300X340X18TC
80X105X10TC	95X115X12TC	115X135X12TC	140X175X15TC	180X220X16TC	315X350X15TC
80X110X10TC	95X120X12TC	115X140X12TC	140X180X15TC	180X230X15TC	315X355X16TC
80X115X13TC	95X125X12TC	115X145X13TC	140X210X15TC	185X210X15TC	320X360X18TC
80X120X13TC	95X130X13TC	115X150X12TC	140X250X15TC	185X215X16TC	320X380X25TC
80X125X12TC	95X135X13TC	115X160X12TC	145X165X15TC	190X220X15TC	340X380X20TC
80X130X13TC	95X145X13TC	118X140X13TC	145X170X14TC	190X230X15TC	340X400X25TC
80X135X12TC	95X170X13TC	120X140X13TC	145X175X15TC	195X220X15TC	
80X140X12TC	95X200X13TC	120X145X13TC	145X180X15TC	200X230X15TC	
80X170X12TC	98X130X13TC	120X150X12TC	150X165X15TC	200X240X15TC	
82X105X13TC	100X118X12TC	120X155X12TC	150X168X13TC	200X250X15TC	
84X100X10TC	100X120X12TC	120X160X12TC	150X170X15TC	210X240X15TC	

## Seagull Oil Seals - Automotive (Metric)

Part No.	ID (mm)	OD (mm)	Thickness (mm)	Alternate Part Numbers	
PR4750	42.85	59.13	10.2	C610	C4750
PR6518	36.5	59.13	6.35	C6518	
PR6521	38.1	59.13	9.52		
38-107	38	74	11		
62-107	62	85	8/10		
65-047	65	88	9/19		

## Seagull Oil Seals - Automotive (Imperial)

Part No.	ID (Inch)	OD (Inch)	Thickness (Inch)	Alternate Part Numbers	
PR6641	1.468	2.343	0.593		
PR6692	1.687	2.328	0.590		
PR6693	1.437	2.328	0.590		



## Seagull Oil Seals - TC Cross Reference

TC12001	250-750-250TC	TC12046	1125-1875-375TC	TC12111	1625-2562-375TC
TC12002	312-750-250TC	TC12047	1125-2000-375TC	TC12113	1625-2875-375TC
TC12003	312-875-250TC	TC12056	1250-1687-250TC	TC12114	1625-3000-375TC
TC12004	375-750-250TC	TC12057	1250-1750-250TC	TC12117	1687-2500-375TC
TC12005	375-875-250TC	TC12058	1250-1875-375TC	TC12118	1687-2750-375TC
TC12006	437-1000-250TC	TC12060	1250-2000-375TC	TC12119	1687-3000-375TC
TC12007	500-875-250TC	TC12063	1250-2187-375TC	TC12120	1750-2250-375TC
TC12008	500-1000-250TC	TC12064	1250-2250-375TC	TC12121	1750-2312-250TC
TC12009	500-1125-250TC	TC12067	1250-2750-375TC	TC12122	1750-2375-375TC
TC12010	562-1000-250TC	TC12069	1312-2125-375TC	TC12123	1750-2437-375TC
TC12011	562-1125-250TC	TC12070	1312-2250-375TC	TC12124	1750-2500-375TC
TC12012	625-1000-250TC	TC12071	1312-2375-375TC	TC12125	1750-2625-375TC
TC12013	625-1125-250TC	TC12072	1312-2500-375TC	TC12127	1750-2750-375TC
TC12014	625-1250-250TC	TC12073	1375-1875-250TC	TC12128	1750-2875-375TC
TC12016	625-1500-375TC	TC12074	1375-2000-375TC	TC12129	1750-3000-375TC
TC12017	687-1250-250TC	TC12075	1375-2062-250TC	TC12130	1750-3125-375TC
TC12018	687-1375-250TC	TC12076	1375-2125-375TC	TC12131	1750-3375-375TC
TC12019	750-1125-250TC	TC12077	1375-2250-375TC	TC12132	1750-3500-500TC
TC12020	750-1250-250TC	TC12079	1375-2375-375TC	TC12133	1750-3625-500TC
TC12021	750-1375-250TC	TC12080	1375-2437-375TC	TC12134	1812-2500-375TC
TC12022	750-1500-375TC	TC12081	1375-2500-375TC	TC12135	1812-2625-375TC
TC12023	750-1625-375TC	TC12082	1375-2750-375TC	TC12136	1812-2750-375TC
TC12024	750-1750-375SC	TC12083	1375-3000-375TC	TC12137	1812-2875-375TC
TC12025	812-1375-250TC	TC12085	1437-2250-375TC	TC12138	1812-3000-375TC
TC12026	875-1250-250TC	TC12086	1437-2375-375TC	TC12139	1875-2500-375TC
TC12027	875-1375-250TC	TC12087	1437-2500-375TC	TC12140	1875-2625-375TC
TC12028	875-1500-375TC	TC12090	1500-2062-250TC	TC12141	1875-2750-375TC
TC12029	875-1625-375TC	TC12091	1500-2125-375TC	TC12142	1875-2875-375TC
TC12030	937-1750-375TC	TC12092	1500-2250-375TC	TC12143	1875-3000-375TC
TC12031	1000-1437-250TC	TC12093	1500-2375-375TC	TC12144	1875-3125-375TC
TC12032	1000-1500-250TC	TC12094	1500-2437-375TC	TC12146	1938-2625-375TC
TC12033	1000-1625-375TC	TC12097	1500-2750-375TC	TC12147	1938-2750-375TC
TC12034	1000-1750-375TC	TC12099	1500-3000-375TC	TC12148	1938-3000-375TC
TC12035	1000-1875-250TC	TC12101	1562-2250-375TC	TC12149	2000-2500-250TC
TC12036	1000-2000-375TC	TC12102	1562-2375-375TC	TC12150	2000-2625-375TC
TC12039	1000-2250-375TC	TC12104	1562-2625-375TC	TC12151	2000-2687-375TC
TC12040	1062-1500-250TC	TC12105	1562-2750-375TC	TC12152	2000-2750-375TC
TC12041	1062-1750-375TC	TC12106	1562-3000-375TC	TC12153	2000-2875-375TC
TC12042	1062-1875-375TC	TC12108	1625-2375-375TC	TC12154	2000-3000-375TC
TC12043	1125-1500-250TC	TC12109	1625-2437-375TC	TC12155	2000-3062-375TC
TC12045	1125-1750-375TC	TC12110	1625-2500-375TC	TC12160	2000-3625-500TC





## Seagull Oil Seals - TC Cross Reference

TC12161	2000-3750-500TC	TC12241	3000-3750-375TC	TC12307	4250-5000-500TC
TC12163	2062-3000-375TC	TC12242	3000-3875-375TC	TC12308	4250-5250-500TC
TC12164	2125-2750-375TC	TC12247	3000-4500-500TC	TC12309	4250-5500-500TC
TC12165	2125-2875-375TC	TC12249	3000-5000-500TC	TC12311	4250-5750-500TC
TC12166	2125-3000-375TC	TC12250	3125-4000-500TC	TC12314	4375-5250-500TC
TC12168	2125-3125-375TC	TC12254	3187-4250-500TC	TC12315	4375-5375-500TC
TC12169	2125-3250-375TC	TC12255	3187-4500-500TC	TC12316	4375-5750-500TC
TC12173	2187-2875-375TC	TC12256	3250-4000-500TC	TC12317	4375-6000-500TC
TC12174	2187-3000-375TC	TC12257	3250-4250-500TC	TC12319	4500-5250-500TC
TC12175	2187-3250-375TC	TC12258	3250-4500-500TC	TC12321	4500-5500-500TC
TC12177	2250-2750-375TC	TC12262	3312-4500-500TC	TC12323	4500-6000-500TC
TC12178	2250-2875-375TC	TC12263	3375-4250-500TC	TC12326	4625-5750-500TC
TC12179	2250-3000-375TC	TC12266	3375-4750-500TC	TC12328	4750-5750-500TC
TC12181	2250-3125-375TC	TC12267	3375-5000-500TC	TC12334	5000-6000-500TC
TC12182	2250-3187-375TC	TC12268	3437-4500-500TC	TC12335	5000-6250-500TC
TC12185	2250-3500-500TC	TC12271	3500-4375-500TC	TC12336	5000-6500-500TC
TC12189	2313-3187-375TC	TC12272	3500-4500-500TC	TC12337	5062-6125-500TC
TC12190	2313-3375-375TC	TC12273	3500-4625-500TC	TC12340	5500-6500-500TC
TC12192	2375-3000-375TC	TC12274	3500-4750-500TC	TC12341	5625-7000-500TC
TC12193	2375-3125-375TC	TC12275	3500-5000-500TC	TC12342	5750-6750-500TC
TC12195	2375-3375-375TC	TC12276	3500-5250-500TC	TC12344	5875-6875-500TC
TC12200	2437-3250-375TC	TC12280	3625-4625-500TC	TC12345	6000-7000-500TC
TC12201	2437-3625-500TC	TC12281	3625-4750-500TC	TC12346	6000-7500-500TC
TC12202	2500-3000-375TC	TC12282	3625-5000-500TC	TC12348	6250-7250-500TC
TC12203	2500-3187-375TC	TC12285	3687-5625-500TC	TC12349	6500-7500-500TC
TC12204	2500-3250-375TC	TC12287	3750-4750-500TC	TC12350	6750-7750-500TC
TC12206	2500-3500-375TC	TC12288	3750-5000-500TC	TC12351	7000-8000-500TC
TC12209	2500-3875-500TC	TC12289	3750-5625-500TC	TC12353	7250-8750-562TC
TC12210	2500-4000-500TC	TC12291	3875-4875-500TC	TC12357	8500-10000-562TC
TC12214	2562-3500-500TC	TC12294	3875-5250-500TC	TC12361	5X18X7TC
TC12215	2562-3750-500TC	TC12295	3875-5375-500TC	TC12363	6X16X7TC
TC12217	2625-3375-375TC	TC12296	3875-5687-500TC	TC12364	6X22X7TC
TC12222	2625-4000-500TC	TC12297	3937-5000-500TC	TC12366	7X22X7TC
TC12225	2750-3500-375TC	TC12298	4000-4750-500TC	TC12367	8X16X7TC
TC12227	2750-3750-375TC	TC12299	4000-5000-500TC	TC12368	8X18X7TC
TC12229	2750-4000-500TC	TC12300	4000-5125-500TC	TC12369	8X22X7TC
TC12232	2750-4500-500TC	TC12301	4000-5250-500TC	TC12370	8X24X7TC
TC12233	2812-3625-375TC	TC12302	4000-5375-500TC	TC12371	9X22X7TC
TC12235	2875-3625-375TC	TC12303	4000-5500-500TC	TC12372	9X24X7TC
TC12238	2875-4000-500TC	TC12304	4000-5750-500TC	TC12374	9X26X7TC
TC12239	2875-4500-500TC	TC12305	4125-5000-500TC	TC12375	9X28X8TC

## Seagull Oil Seals - TC Cross Reference

TC12378	10X19X7TC	TC12430	19X32X7TC	TC12491	30X45X7TC
TC12379	10X20X7TC	TC12434	20X30X7TC	TC12492	30X47X7TC
TC12380	10X22X7TC	TC12435	20X32X7TC	TC12493	30X48X7TC
TC12381	10X24X7TC	TC12436	20X35X7TC	TC12494	30X50X8TC
TC12382	10X25X7TC	TC12437	20X36X7TC	TC12495	30X52X7TC
TC12383	10X26X7TC	TC12438	20X37X7TC	TC12497	30X56X10TC
TC12384	10X28X7TC	TC12439	20X38X7TC	TC12498	30X58X10TC
TC12385	11X22X7TC	TC12440	20X40X7TC	TC12499	30X60X8TC
TC12387	12X22X7TC	TC12441	20X42X7TC	TC12501	30X72X8TC
TC12388	12X24X7TC	TC12442	20X45X7TC	TC12504	32X47X7TC
TC12389	12X25X7TC	TC12443	20X47X7TC	TC12507	32X52X7TC
TC12390	12X26X7TC	TC12446	22X32X7TC	TC12510	32X62X8TC
TC12391	12X28X7TC	TC12447	22X35X7TC	TC12511	33X45X7TC
TC12392	12X30X7TC	TC12448	22X38X7TC	TC12515	34X52X8TC
TC12393	12X32X7TC	TC12451	22X43X8TC	TC12516	34X62X10TC
TC12395	14X24X7TC	TC12452	22X45X7TC	TC12518	35X45X7TC
TC12396	14X28X7TC	TC12453	22X47X7TC	TC12519	35X47X7TC
TC12397	14X30X7TC	TC12454	24X34X7TC	TC12520	35X48X8TC
TC12398	14X35X7TC	TC12455	24X35X7TC	TC12525	35X58X10TC
TC12400	15X24X7TC	TC12456	24X37X7TC	TC12532	36X47X7TC
TC12401	15X25X7TC	TC12458	24X40X7TC	TC12533	36X50X7TC
TC12402	15X26X7TC	TC12459	24X42X7TC	TC12535	36X54X8TC
TC12403	15X28X7TC	TC12460	24X47X7TC	TC12538	37X52X7TC
TC12404	15X30X7TC	TC12463	25X35X7TC	TC12539	38X50X7TC
TC12405	15X32X7TC	TC12464	25X36X7TC	TC12541	38X54X8TC
TC12406	15X33X7TC	TC12465	25X37X7TC	TC12543	38X56X10TC
TC12407	15X35X7TC	TC12466	25X38X7TC	TC12545	38X60X8TC
TC12411	16X28X7TC	TC12467	25X39X7TC	TC12549	40X50X8TC
TC12412	16X30X7TC	TC12468	25X40X7TC	TC12551	40X54X7TC
TC12413	16X32X7TC	TC12472	25X47X7TC	TC12552	40X55X8TC
TC12414	16X35X7TC	TC12473	25X52X7TC	TC12553	40X56X8TC
TC12417	17X28X7TC	TC12475	26X37X7TC	TC12557	40X65X8TC
TC12418	17X30X7TC	TC12477	26X47X7TC	TC12559	40X70X8TC
TC12419	17X32X7TC	TC12478	27X37X7TC	TC12561	40X75X8TC
TC12420	17X35X7TC	TC12481	28X38X7TC	TC12562	40X80X10TC
TC12421	17X37X7TC	TC12483	28X43X7TC	TC12566	42X60X8TC
TC12425	18X28X7TC	TC12484	28X47X7TC	TC12567	42X62X8TC
TC12426	18X30X7TC	TC12487	30X40X7TC	TC12569	42X72X8TC
TC12427	18X32X7TC	TC12488	30X42X7TC	TC12570	44X60X7TC
TC12428	18X35X7TC	TC12489	30X43X8TC	TC12571	44X62X8TC
TC12429	18X40X7TC	TC12490	30X44X9TC	TC12572	44X65X8TC



## Seagull Oil Seals - TC Cross Reference

TC12574	45X55X7TC	TC12637	62X100X10TC	TC12691	100X130X12TC
TC12575	45X58X7TC	TC12638	63X85X10TC	TC12692	100X135X12TC
TC12576	45X60X8TC	TC12639	63X90X10TC	TC12693	100X140X13TC
TC12577	45X62X8TC	TC12640	64X80X8TC	TC12695	105X125X13TC
TC12578	45X65X8TC	TC12642	65X85X10TC	TC12694	100X150X13TC
TC12580	45X72X8TC	TC12643	65X90X10TC	TC12696	105X130X12TC
TC12582	45X80X10TC	TC12644	65X95X10TC	TC12697	105X140X12TC
TC12583	45X85X10TC	TC12645	65X110X10TC	TC12698	110X130X12TC
TC12585	48X60X8TC	TC12646	68X85X10TC	TC12700	110X140X12TC
TC12586	48X62X8TC	TC12647	68X88X9TC	TC12702	110X160X13TC
TC12589	48X72X8TC	TC12649	68X100X10TC	TC12704	114X135X13TC
TC12590	48X74X10TC	TC12651	70X90X10TC	TC12705	115X140X12TC
TC12591	48X75X8TC	TC12652	70X95X10TC	TC12708	120X140X13TC
TC12592	48X80X8TC	TC12653	70X100X10TC	TC12710	120X150X12TC
TC12594	50X62X8TC	TC12654	70X110X10TC	TC12712	120X160X12TC
TC12595	50X65X8TC	TC12655	72X95X10TC	TC12714	125X143X13TC
TC12596	50X68X8TC	TC12656	72X100X10TC	TC12715	125X150X12TC
TC12597	50X70X8TC	TC12657	72X105X13TC	TC12717	125X160X12TC
TC12598	50X72X8TC	TC12659	75X95X10TC	TC12726	140X175X15TC
TC12599	50X75X10TC	TC12660	75X100X10TC	TC12730	145X175X15TC
TC12601	50X82X8TC	TC12662	75X110X10TC	TC12734	150X190X15TC
TC12603	50X90X10TC	TC12663	75X115X12TC	TC12736	155X190X15TC
TC12604	50X110X10TC	TC12664	78X100X10TC	TC12741	165X200X15TC
TC12605	52X68X8TC	TC12665	80X100X10TC	TC12742	170X190X13TC
TC12606	52X70X8TC	TC12666	80X105X10TC	TC12743	170X200X15TC
TC12608	53X68X10TC	TC12667	80X110X10TC	TC12744	175X200X15TC
TC12609	54X68X10TC	TC12668	80X115X13TC	TC12745	175X210X15TC
TC12614	55X75X10TC	TC12670	85X100X10TC	TC12746	180X200X15TC
TC12618	55X90X10TC	TC12671	85X105X10TC	TC12747	180X210X15TC
TC12619	55X100X10TC	TC12673	85X115X13TC	TC12751	190X220X15TC
TC12620	56X70X8TC	TC12674	85X120X12TC	TC12752	200X230X15TC
TC12621	56X72X8TC	TC12676	85X140X12TC	TC12753	200X240X15TC
TC12622	56X80X8TC	TC12679	90X118X12TC	TC12754	210X240X15TC
TC12623	58X72X8TC	TC12680	90X120X12TC	TC12755	210X250X15TC
TC12624	58X80X8TC	TC12683	95X110X12TC	TC12756	215X240X12TC
TC12626	60X75X8TC	TC12685	95X120X12TC	TC12757	220X250X15TC
TC12630	60X85X8TC	TC12686	95X125X12TC	TC12758	230X260X15TC
TC12632	60X95X10TC	TC12688	100X118X12TC	TC12760	230X280X15TC
TC12633	60X110X10TC	TC12689	100X120X12TC	TC12761	240X270X15TC
TC12636	62X90X10TC	TC12690	100X125X12TC	TC12762	240X280X15TC

## Seagull Oil Seals - TC Cross Reference

TC12763	250X280X15TC	TC12834	27X47X8TC	TC12863	42X75X8TC
TC12765	260X300X18TC	TC12835	28X42X8TC	TC12873	47X62X8TC
TC12766	270X300X15TC	TC12836	28X45X8TC	TC12875	48X70X8TC
TC12768	875-1875-375TC	TC12838	28X50X8TC	TC12876	48X82X8TC
TC12796	3250-4375-500TC	TC12840	30X65X8TC	TC12877	48X85X8TC
TC12812	4937-6000-500TC	TC12841	30X70X8TC	TC12885	55X95X10TC
TC12769	875-2000-375TC	TC12842	32X46X8TC	TC12888	56X85X8TC
TC12818	12X27X7TC	TC12843	32X54X8TC	TC12893	62X95X10TC
TC12819	17X45X7TC	TC12844	32X58X8TC	TC12896	65X88X8TC
TC12820	18X36X7TC	TC12845	34X48X8TC	TC12897	65X105X10TC
TC12821	18X38X7TC	TC12850	35X54X8TC	TC12899	70X105X10TC
TC12822	19X35X7TC	TC12852	35X75X8TC	TC12900	72X88X8TC
TC12823	19X36X7TC	TC12856	38X80X8TC	TC12904	80X140X12TC
TC12824	19X42X7TC	TC12857	40X72X8TC	TC12906	90X135X12TC
TC12825	19X45X7TC	TC12858	40X85X8TC	TC12907	90X140X12TC
TC12826	19X47X7TC	TC12859	40X90X8TC	TC12908	110X145X12TC
TC12829	24X50X8TC	TC12860	42X58X8TC	TC13212	4250-6000-500TC
TC12831	25X50X8TC	TC12862	42X70X8TC		



DISTRIBUTED BY



**SERVICE & SUPPORT**

Wangara, WA	Welshpool, WA	Arndell Park, NSW
+61 8 9303 4966	+61 8 6314 1155	+61 2 9674 8611
support@chainanddrives.com.au	salesnw@chainanddrives.com.au	

[chainanddrives.com.au](http://chainanddrives.com.au)