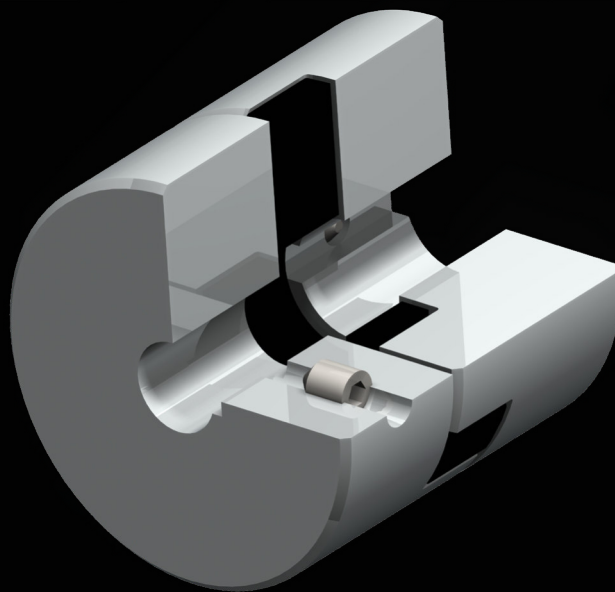




Mönninghoff

ClawFlex Typ 315



CHAIN & DRIVES
COMPLETE POWER TRANSMISSION

SERVICE & SUPPORT

WA: (08) 9303 4966 | NSW: (02) 9674 8611

chainanddrives.com.au



ClawFlex - Type 315

Characteristics and features

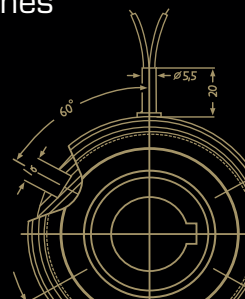
- connects drive shaft and driven shaft
- not backlash-free
- wear-free
- transmitted torque: 1 - 750 Nm
- two hubs are joined by the flexible spider with positive drive and provide emergency running should the spider fail
- different spider selected depending on operating conditions
- pinable



Mönninghoff power transmission represents an infinite variant diversity that is applied by all areas of modern mechanical engineering.

Our technologies are mostly designed to operate under extreme conditions. We offer high precision products for medical robotics, fail-proof security for aerospace technology or synchronization solutions for the packaging or printing industry.

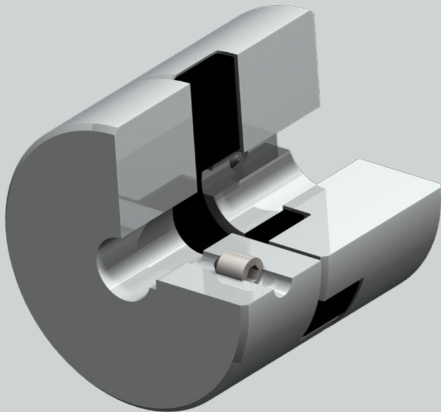
We thus address customers who have the highest standards for their own machines or systems. To them, we can offer highly complex, application-specific solutions.



ClawFlex - Type 315

Match code

Mönninghoff ClawFlex couplings are indicated by the following match code:



315 . A . B . C

- A** coupling size
- B** hub material
- C** type of spider

Other individual characteristics:

- spider material
- bore size

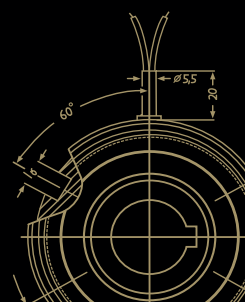
According to these characteristics, we design individual solutions concerning transmitted torque, engaging behavior or rotation speed.

Our engineers can assist with finding an application-specific coupling at any time. Together, we can develop individual and innovative solutions for extreme operating conditions.

Ordering example

Mönninghoff ClawFlex coupling
Type 315.095.2.1

| | |
|---------------------|-------------------------------------|
| Hub material | Aluminium |
| Spider | NBR |
| Bore d | 20 mm H7, keyway acc. to DIN 6885/1 |
| Bore d ₁ | 24 mm H7, keyway acc. to DIN 6885/1 |



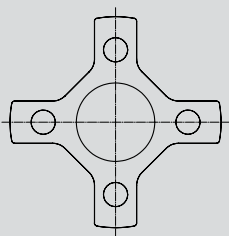
ClawFlex - Typ 315

Hub material

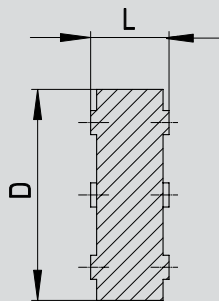
Mönninghoff ClawFlex couplings are available in different hub materials:

- 2 = Aluminium (AL) Größe 50 – 110
 3 = Cast iron (GG) Größe 150 – 225

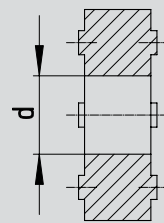
Type of spider



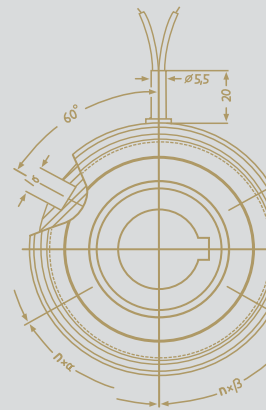
Spider-form either
 4- oder 6-star-shaped



Design A
 in the center massive



Design C
 in the center pierced



Spidermaterials

Different spidermaterials are also available for the ClawFlex coupling.

- 1 = NBR
 8 = Hytrel

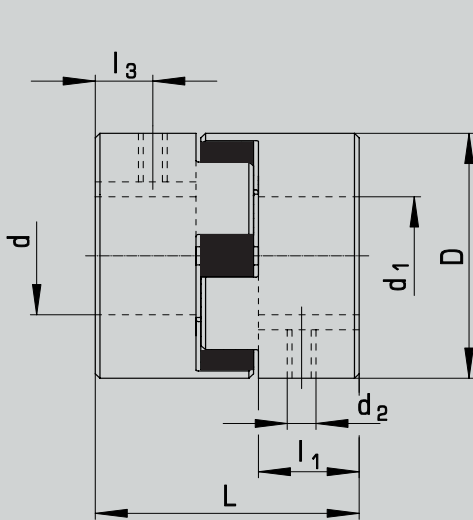
Technical data for spiderform and -materials

- spider with a solid center to ensure a high bending resistance
- unless stated differently in customers orders the spiders are supplied in NBR material

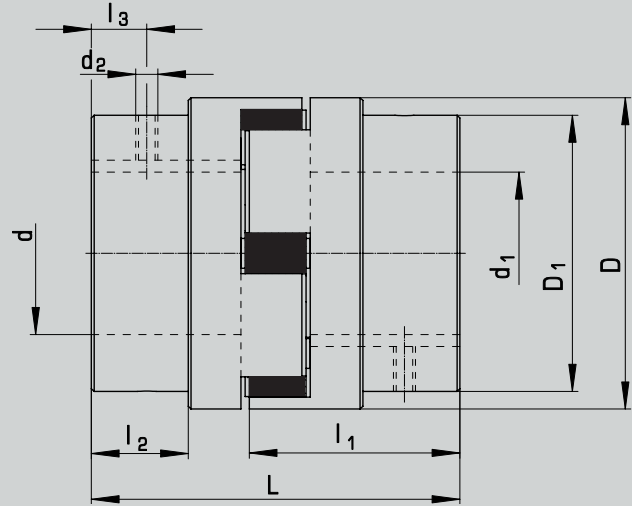
| Size | | 50 | 70 | 75 | 90 | 95 | 100 | 110 | 150 | 190 | 225 |
|---------------|----------------|------|----|----|------|------|------|------|------|------|------|
| spider design | A | - | 8 | 8 | 1; 8 | 1; 8 | 1; 8 | 1; 8 | 1; 8 | 1; 8 | 1; 8 |
| | C | 1; 8 | 1 | 1 | - | - | - | - | - | - | - |
| dimensions | d_{min} [mm] | - | 12 | 17 | 18 | 18 | 25 | 29 | 31 | 34 | 43 |

ClawFlex - Type 315

Design



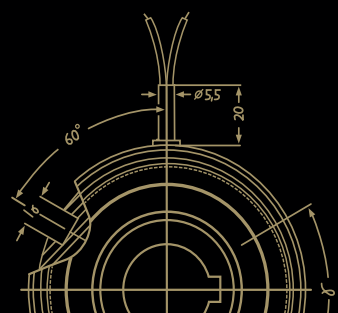
Size 50 - 110



Size 150 - 225

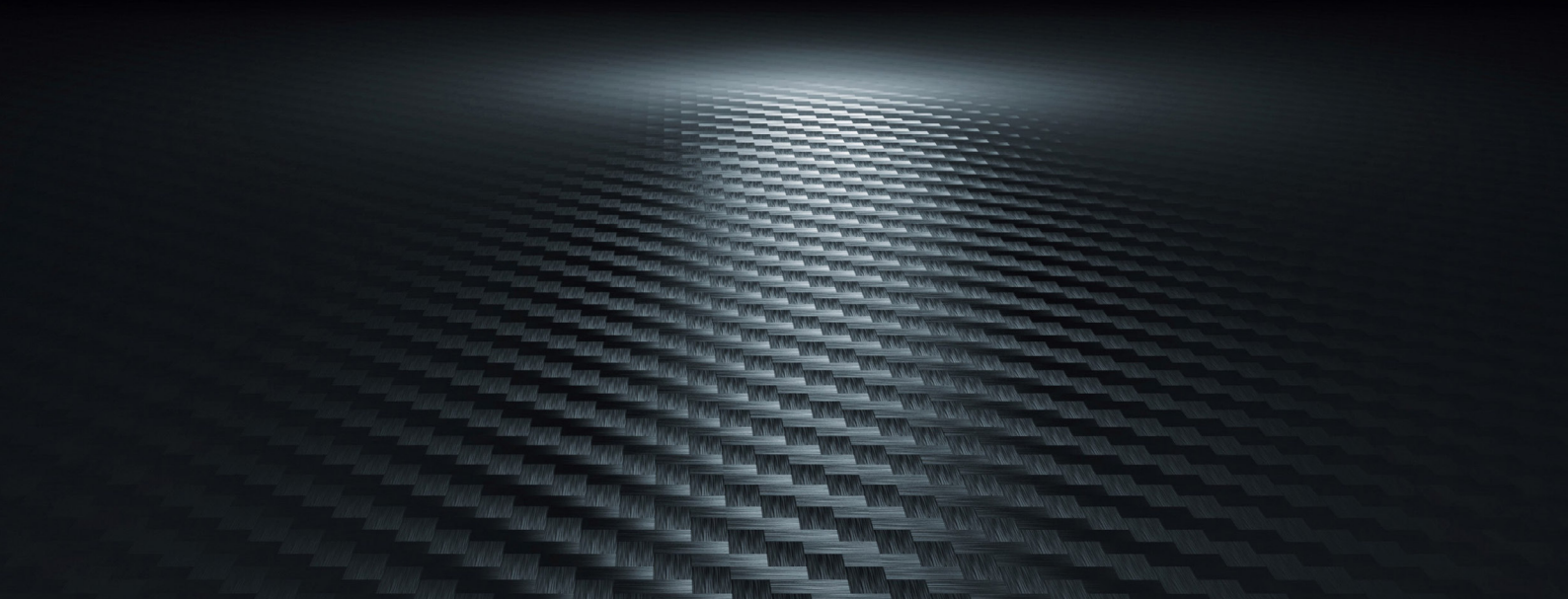
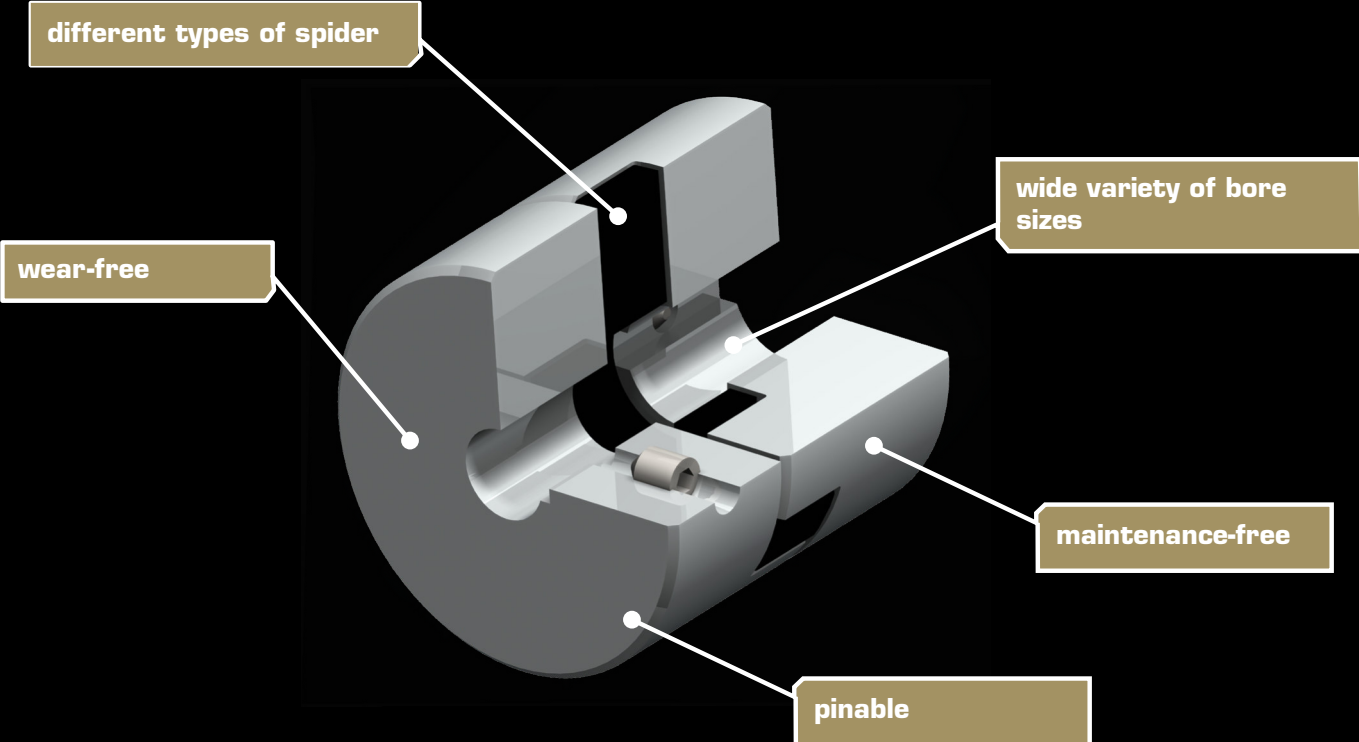
Technical data

| Size | | | 50 | 70 | 75 | 90 | 95 | 100 | 110 | 150 | 190 | 225 |
|---------------------------|----------------|----------------------|------|------|------|------|------|------|------|------|------|------|
| torque | spider NBR | [Nm] | 5 | 10 | 15 | 30 | 50 | 100 | 200 | 320 | 300 | 450 |
| | | spider Hyrtel | 7 | 15 | 25 | 45 | 65 | 130 | 260 | 420 | 550 | 750 |
| max. speed n_{max} | | [min ⁻¹] | 7000 | 5000 | 5000 | 4000 | 4000 | 3500 | 3000 | 3000 | 3000 | 3000 |
| angular misalignment | | [°] | 0,5 | 0,5 | 0,5 | 0,5 | 0,5 | 0,5 | 0,5 | 0,5 | 0,5 | 0,5 |
| radial misalignment | | [mm] | 0,1 | 0,1 | 0,2 | 0,2 | 0,2 | 0,4 | 0,5 | 0,6 | 0,6 | 0,7 |
| bore d, d ₁ H7 | min. | [mm] | 7 | 7 | 7 | 12 | 12 | 14 | 16 | 16 | 20 | 28 |
| | max. | [mm] | 16 | 20 | 26 | 28 | 28 | 35 | 48 | 48 | 60 | 65 |
| weight | | [kg] | 0,06 | 0,11 | 0,18 | 0,34 | 0,27 | 0,58 | 1,25 | - | - | - |
| | | [kg] | - | - | - | - | - | - | - | 4,05 | 7,3 | 9,5 |
| dimensions | D | [mm] | 27 | 35 | 45 | 54 | 55 | 66 | 85 | 96 | 115 | 127 |
| | | [mm] | - | - | - | - | - | - | - | 80 | 102 | 108 |
| | d ₂ | | M5 | M5 | M5 | M6 | M6 | M8 | M8 | M8 | M8 | M8 |
| | L | | 43 | 50 | 54,5 | 55 | 61 | 88 | 110 | 115 | 133 | 154 |
| | l ₁ | | 15,5 | 18,5 | 21 | 21 | 24 | 35 | 44 | 45 | 54 | 64 |
| l ₂ | | - | - | - | - | - | - | - | 32 | 35 | 45 | |
| l ₃ | | 8 | 10 | 10 | 12 | 12 | 18 | 20 | 20 | 20 | 25 | |



ClawFlex - Type 315

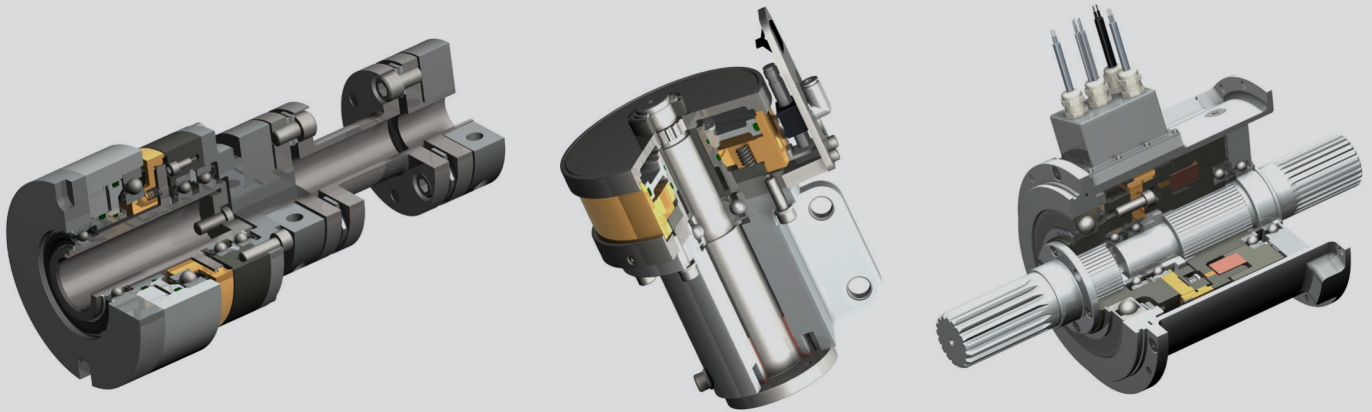
At a glance



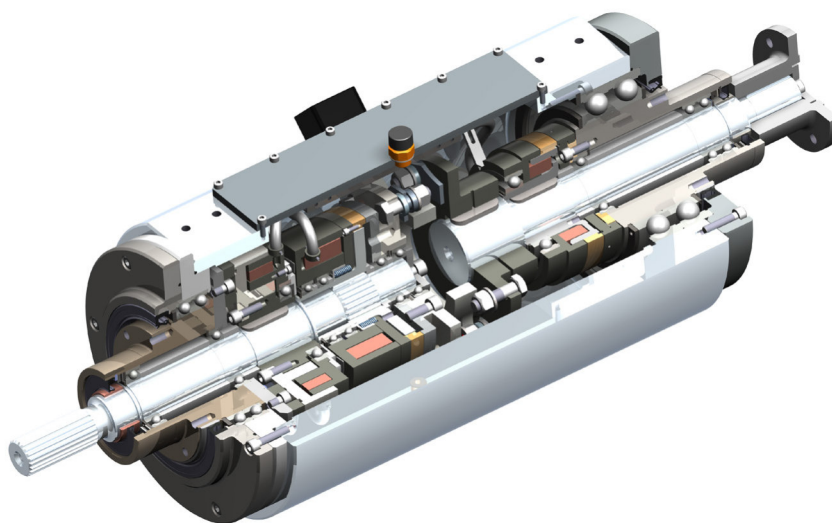
System solutions

You need more?

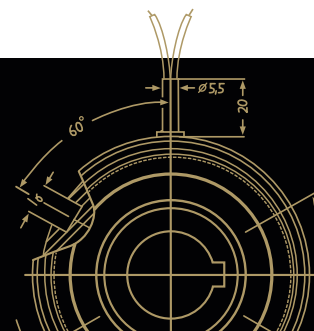
Mönninghoff clutches can be combined with a variety of many other power transmission elements. Such complex high-tech systems can solve any application-specific tasks and can fulfill any customer-specific wishes.



In many cases, a combination of different drive elements is needed to solve the applications particular problems and difficulties. Being not just supplier but technological partner to our customers, our extensive engineering is part of extraordinary and challenging power transmission projects.



**Our product is the know-how,
with hardware as an added bonus.**



Driven by excellence

Why Mönninghoff

- intensive dialog with our customers' engineers
- decades of experience and competence
- deep understanding for all areas of mechanical engineering
- highly modern and flexible machine park
- enthusiasm for quality
- flexibility, inventiveness and communication skills of our employees
- commitment to Germany and Bochum as industrial location

How to reach us



SERVICE & SUPPORT

WA: (08) 9303 4966 | NSW: (02) 9674 8611
chainanddrives.com.au

