



Split Plummer Block Housings SNS

For shaft diameters of

115 mm to 530 mm and $4\frac{7}{16}$ inch to $19\frac{1}{2}$ inch

Foreword

New generation of housings

Plummer block housings SNS represent a completely new generation of large size housings. Through the systematic further development of the proven FAG plummer block housings, Schaeffler can offer even greater efficiency and cost-effectiveness for machinery and plant.

Longer bearing life

The unique housing design gives an increase in the life of the spherical roller bearings fitted in the housing of up to 50%. This is achieved through optimised load distribution in the bearing that occurs due to the interaction of the bearing and housing geometry under load.

Advantages

The most important advantages of the newly developed plummer block housings SNS can be summarised as follows:

- Longer bearing life due to the innovative housing design. This gives lower maintenance and downtime costs of the entire machine or plant.
- Increased strength and shock resistance due to the use of spheroidal graphite cast iron as standard. The highly robust housings are ideally suitable for aggressive environmental conditions such as those in mining applications.
- Different sealing variants allowing matching to an environment with particular contaminant and dust conditions.
- The use of split labyrinth seals gives a considerable reduction in the work involved in replacing seals, especially in combination with the mounting of a split bearing.
- Optimum lubricant supply to the bearing independent of the bearing position by means of a special lubrication groove in the interior of the upper housing section and through grease outlet holes in the lower housing section.
- Design with good anti-corrosion characteristics and reduced cleaning requirements due to inclined run-off areas as well as a projecting upper housing section.
- Indentations indicating the shaft and bearing centre, ensuring rapid and simple alignment of the housing.
- Machined locating surfaces on the housing base, allowing precise alignment of the housing.
- Serial numbering on both halves of the housing, ensuring their correct allocation. This prevents incorrect transposition between the pairs of upper and lower housing sections.
- Prepared mounting points allowing immediate use of Condition Monitoring.

Schaeffler housing range

Schaeffler offers an extensive range of bearing housings and housing units.

Further information

- Catalogue GK 1, Bearing Housings
<https://www.schaeffler.de/std/1F7F>
- Catalogue SG 1, Radial Insert Ball Bearings and Housing Units
<https://www.schaeffler.de/std/1F80>

Contents

	Page
Product overview	Split plummer block housings SNS..... 4
Features	Modular concept..... 6
	Dimensions and interchangeability 6
	Suitable bearings 7
	Housing material and anti-corrosion protection 8
	Locating and non-locating bearings..... 9
	Longer bearing life 9
	Advantages of the detailed design 10
	Seals and covers..... 12
	Housing configurations 16
	Lubrication 20
	Designation structure..... 25
	Ordering examples..... 28
Design and safety guidelines	Load carrying capacity 29
	Permissible shaft end designs..... 32
	Mounting and dismounting 33
Accuracy 37
Dimension tables	Plummer block housings SNS, split, for spherical roller bearings with tapered bore and adapter sleeve, metric shaft..... 38
	Plummer block housings SNS, split, for spherical roller bearings with cylindrical bore, metric shaft 48
	Plummer block housings SNS, split, for spherical roller bearings with tapered bore and adapter sleeve, inch size shaft 56
	Plummer block housings SNS, split, for spherical roller bearings with tapered bore and adapter sleeve, metric shaft, Bolt-on design 72

Product overview Split plummer block housings SNS

Plummer block housings
Split
For labyrinth and taconite seals

SNS...-H, SNS...-Z



0001AD70

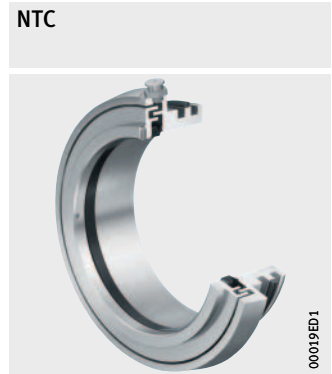
For Bolt-on seals

SNS...-B



0008D681

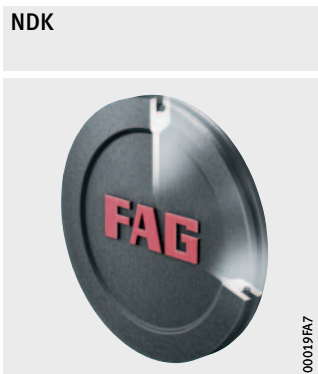
Accessories
 Labyrinth seals
 Taconite seals



Split labyrinth seals
 Bolt-on seals



Covers



Locating rings



Split plumber block housings SNS

Features Split FAG plumber block housings SNS and the associated bearings form bearing arrangement units that can be matched, through the specific selection of seal design, lubrication type and bearing mounting, to a wide range of requirements. The housings are specifically designed for the fitting of spherical roller bearings.

Modular concept The housings are designed in accordance with a modular concept. Each housing can be fitted with spherical roller bearings of various diameter and width series if they have the correct outside diameter for the housing.

Depending on their design, the bearings can be located either directly on the shaft or by means of an adapter sleeve. This gives different shaft diameters for the same bearing size. The spacings between the shaft and housing body are compensated by means of appropriately matched seals.

Dimensions and interchangeability The dimensions of the housings conform to ISO 113. FAG plumber block housings SNS are a further development of the FAG plumber block housings SD31. The design envelope and mounting dimensions of both series of housings are identical and the housings are interchangeable 1:1.

The interchangeability with other series of FAG housings is as follows:

- All bearing series that can be combined with the FAG plumber block housings SD5 and SD6 can be fitted in plumber block housings SNS.
- Bearing series that can be combined with the plumber block housings S30 can only be fitted in certain cases in plumber block housings SNS.



The dimensions of housings SD5, SD6 and S30 are not identical with the dimensions of housings SNS.

Suitable bearings

Split plummer block housings SNS are suitable for fitting with spherical roller bearings with a tapered or cylindrical bore, see table. The range of shaft diameters is 115 mm to 530 mm and $4\frac{7}{16}$ inch to $19\frac{1}{2}$ inch.

Unsplit spherical roller bearings with an adapter sleeve can be replaced by split spherical roller bearings. This gives a considerable reduction in the work associated with bearing replacement in numerous applications.

In order to ensure selection of the correct combination of housing and bearing when using split bearings, please contact us.

Bearing types and sizes

Bearing type	Size
Spherical roller bearings ■ with tapered bore and adapter sleeve	22232..-K to 22272..-K
	22326..-K to 22356..-K
	23036-K to 230/530..-K
	23134..-K to 23196..-K
	23232..-K to 23288..-K
■ with cylindrical bore	22232 to 22272
	22326 to 22356
	23036 to 230/530
	23134 to 23196
	23232 to 23288
	24036 to 240/530
■ split	230SM160 to 230SM410
	230S.607 to 230S.1608
	231SM150 to 231SM410
	231S.515 to 231S.1500
	232SM260 to 232SM340
	232S.1200 to 232S.1308

On the basis of the modular concept, one or more series of plummer block housings SNS are suitable for each series of spherical roller bearings, see tables, page 8.

Split plummer block housings SNS

Plummer block housings SNS for spherical roller bearings with tapered bore and adapter sleeve

Bearing Series	Plummer block housing											
	SNS2264		SNS30		SNS31			SNS32		SNS40		
	Suffix											
	H	Z	H	Z	H	Z	B	H	Z	H	Z	
222..-K	●	-	●	-	●	-	-	-	-	-	-	
223..-K	-	-	●	-	●	-	-	-	-	-	-	
230..-K	-	-	●	-	-	-	-	-	-	-	-	
231..-K	-	-	-	-	●	-	●	-	-	-	-	
232..-K	-	-	●	-	-	-	-	●	-	-	-	

● Suitable

Plummer block housings SNS for spherical roller bearings with cylindrical bore

Bearing Series	Plummer block housing											
	SNS2264		SNS30		SNS31			SNS32		SNS40		
	Suffix											
	H	Z	H	Z	H	Z	B	H	Z	H	Z	
222	-	●	●	-	●	●	-	-	-	-	-	
223	-	-	●	-	●	-	-	-	-	-	-	
230	-	-	●	●	-	-	-	-	-	-	-	
231	-	-	-	-	●	●	-	-	-	-	-	
232	-	-	●	-	-	-	-	-	●	-	-	
240	-	-	●	●	-	-	-	-	-	-	●	

● Suitable

Plummer block housings SNS for split spherical roller bearings

Bearing Series	Plummer block housing											
	SNS2264		SNS30		SNS31			SNS32		SNS40		
	Suffix											
	H	Z	H	Z	H	Z	B	H	Z	H	Z	
230S	-	-	●	-	-	-	-	-	-	-	-	
231S	-	-	-	-	●	-	●	-	-	-	-	
232S	-	-	-	-	-	-	-	●	-	-	-	

● Suitable

Further information

■ Technical Product Information
TPI 250, Split Spherical Roller Bearings
<https://www.schaeffler.de/std/1F81>

Housing material and anti-corrosion protection

The housing bodies are manufactured as standard from spheroidal graphite cast iron GJS-400-15 (suffix D), alternatively also from spheroidal graphite cast iron GJS-400-18C (suffix LT).

All outer surfaces not machined by chip-forming methods and the locating surfaces on the lower housing section have a universal paint coating (colour RAL 7016, anthracite grey). The coating can be finished using all synthetic resin, polyurethane, acrylic, epoxy resin, chlorinated rubber, nitrocellulose and acid-hardening hammer tone finishes.

Inner and outer surfaces machined by chip-forming methods are provided with anti-corrosion protection that can be easily removed. It is recommended that only volatile solvents and lint-free cloths should be used.

Locating and non-locating bearings

The bearing seats in the housing are machined such that the bearings are movable and can thus function as non-locating bearings. Locating bearing arrangements can be achieved by the insertion of locating rings NFR on both sides of the bearing outer ring. Depending on the combination of housing and bearing, either 2, 4 or 6 locating rings will be required, see dimension tables. Locating rings must be ordered separately.

Longer bearing life

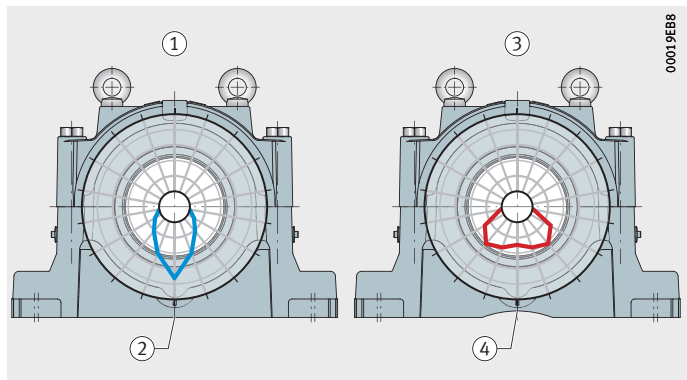
In the case of FAG plummer block housings SNS, the life of the spherical roller bearings fitted is up to 50% higher than in the case of conventional plummer block housings. The increase in life is dependent on the application, the load and the bearing design. Calculation of the bearing life is based on the calculation software BEARINX. The reason for the longer bearing life is the optimum load distribution in the bearing that is achieved as a result of the new housing design, *Figure 1*.

Conventional plummer block housings are designed such that the bearing load is introduced into the housing locating face by means of a support area directly below the bearing, *Figure 1*, ②. If loading is in the main load direction, namely with an orientation vertical to the housing locating face, an unfavourable load distribution occurs in the bearing. Due to the narrow load zone, the load is distributed over only a small number of rolling elements, leading to a particularly high load maximum on the roller in the apex position.

In the case of plummer block housings SNS, a material recess below the bearing distributes the support area over two symmetrically arranged support faces, *Figure 1*, ④. This leads to a significant improvement in the load distribution in the bearing. The load zone is wider and the load is distributed more uniformly over several rolling elements. The maximum is now present on the two neighbouring rollers of the roller in the apex position and is reduced. This results in a significant increase in the fatigue life of the rolling bearings.

- ① Conventional plummer block housing with associated load distribution
- ② Support area directly below the bearing
- ③ FAG plummer block housing SNS with associated load distribution
- ④ Material recess below the bearing

Figure 1
Influence of housing design on the load distribution in the bearing



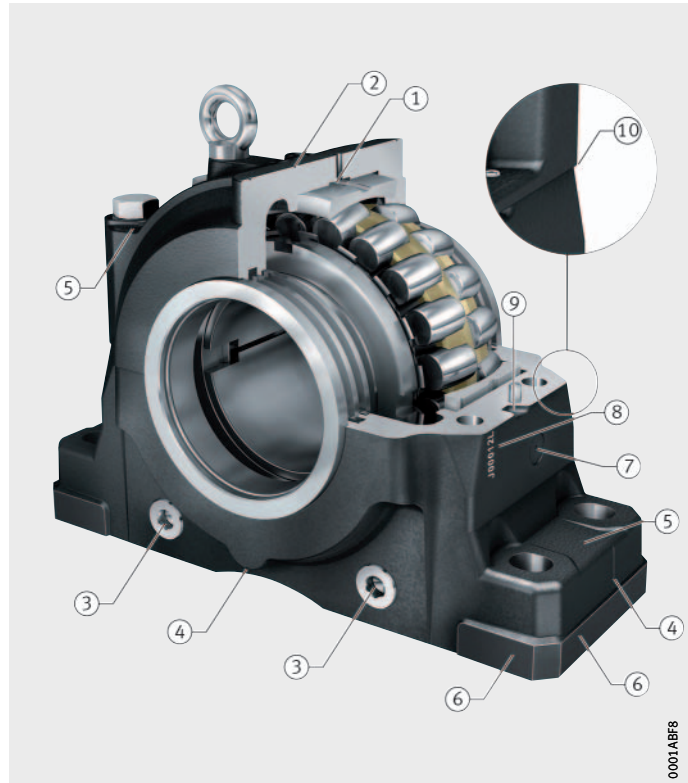
Split plummer block housings SNS

Advantages of the detailed design

A large number of details in the housing design that are systematically matched to practical application allows a particularly flexible and economical usage of plummer block housings SNS, *Figure 2*.

- ① Lubrication hole with long axial lubrication groove
- ② Pilot hole at predefined position for condition monitoring
- ③ Grease outlet holes
- ④ Indentations indicating shaft and bearing centres
- ⑤ Inclined run-off areas
- ⑥ Machined locating faces
- ⑦ Prepared mounting points for condition monitoring
- ⑧ Marking of housing halves
- ⑨ Dismounting notches
- ⑩ Projection of upper housing section

Figure 2
Advantages of detailed design



Lubrication hole with long axial lubrication groove

A lubrication hole with a long axial lubrication groove in the upper housing section ensures supply of lubricant irrespective of bearing position to all bearing series that can be fitted, *Figure 2*, ①. Suitable lubrication nipples are included in the scope of delivery.

Grease outlet holes

Grease outlet holes in the lower housing section allow the escape of used and superfluous grease during relubrication, *Figure 2*, ③.

Indentations indicating shaft and bearing centres

Indentations in the lower housing section indicate the shaft and bearing centres in the housing, *Figure 2*, ④. This allows rapid alignment and reduces mounting time.

Inclined run-off areas	Inclined run-off areas on the upper and lower housing section promote the removal of fluids and reduce deposits of contamination, <i>Figure 2</i> , ⑤. This leads to reduced cleaning work and a lower risk of corrosion.
Machined locating faces	Machined locating faces on the lower housing section allow precise alignment of the housing, <i>Figure 2</i> , ⑥. When the housing is painted, the locating faces are also provided with a universal paint coating. Since the locating faces are raised, strips can be used as an alignment aid. One-off alignment is sufficient to allow rapid interchange of the housing when necessary.
Prepared mounting points for condition monitoring	In order to allow the uncomplicated use of Condition Monitoring, the lower housing section has a connection facility on both sides for condition monitoring systems, <i>Figure 2</i> , ⑦. Due to the thread M6 and a flattened area with a diameter of 26 mm, it is possible to directly connect Schaeffler SmartCheck, a modular online measuring system for machine monitoring. Alternatively, other vibration sensors can also be connected. If neither of the two connection facilities is accessible as a result of the adjacent construction, a further suitable connection point on the upper section is indicated by a cast-in pilot hole, <i>Figure 2</i> , ②. Schaeffler SmartCheck must be ordered separately. For detailed information, see TPI 214, Schaeffler SmartCheck.
Marking of housing halves	The upper housing section and lower housing section are matched to each other and must not be transposed with other housing halves. The serial numbering on both halves of the housing ensure their correct allocation, <i>Figure 2</i> , ⑧. Furthermore, the serial numbering allows traceability and simplified documentation.
Dismounting notches	Recessed dismounting notches on the interface of the housing halves make it easier to remove the upper housing section, <i>Figure 2</i> , ⑨.
Projection of upper housing section	The projection of the upper housing section prevents the collection of fluids and contaminants at the interface of the two housing halves, <i>Figure 2</i> , ⑩. This leads to reduced cleaning work and a lower risk of corrosion.

Split plummer block housings SNS

- Seals and covers** For sealing of the bearing housings, the following standard seals are available:
- Labyrinth seals and taconite seals, each in a split and unsplit design. These seals are matched to the rectangular section annular slots on both sides of the housings SNS..-H and SNS..-Z.
 - Bolt-on seals. These seals are screw mounted to the outside of housings SNS..-B.
- If a housing closed on one side is required, the following covers are available:
- covers NDK, for housings SNS..-H and SNS..-Z
 - covers BDK, for housings SNS..-B.
- Seals and covers must be ordered specially. Seals are supplied individually. If a continuous shaft is present, two seals must be ordered.
- Labyrinth seals NTS** Labyrinth seals NTS give non-contact sealing. They are therefore suitable for high circumferential velocities. The round cord made from fluoro rubber FKM pressed between the labyrinth ring and shaft is suitable for temperatures up to +200 °C.
- The labyrinth seal allows shaft misalignment of up to 0,3° in both directions and is suitable for grease lubrication. If necessary, the labyrinth can be relubricated. For this purpose, a lubrication hole must be made in the upper housing section for each labyrinth seal. The optimum positions are indicated by cast-in pilot holes.
- Taconite seals NTC** Taconite seals NTC are combined seals comprising a labyrinth seal and a V ring. These seals are suitable for extreme operating conditions in relation to contamination and dust. The V ring is made from NBR and is suitable for temperatures up to +100 °C.
- The taconite seal allows shaft misalignment of up to 0,3° in both directions and is suitable for grease lubrication. For relubrication, the seal is fitted with a lubrication nipple.
- Split labyrinth seals NTSG** For plummer block housings SNS, labyrinth seals are also available in a split design. As a result, the work involved in replacing the seal can be considerably reduced, especially if a split bearing is also fitted.
- The characteristics and operating limits correspond to those of the unsplit labyrinth seal NTS.
- Split labyrinth seals NTSG are available in various sizes, see table, page 13. Other sizes are available by agreement.

Sizes

Sizes of split labyrinth seals for	
metric shaft	inch size shaft
NTSG34	NTSG34×515
NTSG36	NTSG36×607
NTSG38	–
NTSG40	–
NTSG44	–
NTSG48	–
NTSG52	–

Split taconite seals NTCG

For plummer block housings SNS, taconite seals are also available in a split design. As a result, the work involved in fitting or replacing the seal can be considerably reduced, especially if a split bearing is also fitted.

Split taconite seals are supplied by agreement.

Bolt-on seals BTAC

Bolt-on seals BTAC are combined seals comprising a labyrinth seal and a V ring.

They are screw mounted to the outside of the housing and, unlike all other seals for plummer block housings SNS, are not inserted in the annular slots in the housing.

The seals are suitable for extreme operating conditions in relation to contamination and dust. The V ring is made from NBR and is suitable for temperatures up to +100 °C.

The Bolt-on seal allows shaft misalignment of up to 0,4° in both directions and is suitable for grease lubrication. For relubrication, the seal is fitted with a lubrication nipple.

The seals are available in the sizes BTAC34 to BTAC68.

When using Bolt-on seals, housings in a special design SNS..-B are required instead of the designs SNS..-H and SNS..-Z suitable for all other seals.

Covers NDK

Covers NDK are used with housings closed on one side. The covers fit in the rectangular section annular slots in the housings. They are suitable for temperatures up to +200 °C.

Covers BDK

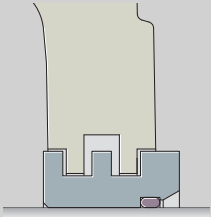
Covers BDK are screw mounted to the outside of the housing. They are suitable for the housings SNS..-B designed for the Bolt-on seal.

Characteristics and operating limits

The characteristics and operating limits of the standard seals and covers are compared in an overview, see table, page 14.

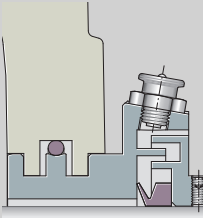
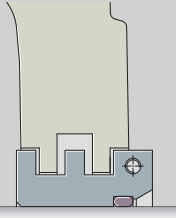
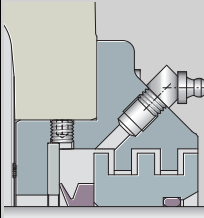
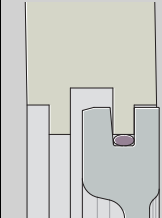
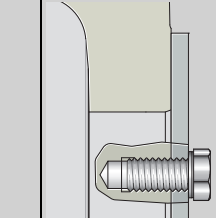
Split plumber block housings SNS

Standard seals and covers for plumber block housings SNS

Seal or cover	Labyrinth seal	
		
Designation	NTS	
Material	Steel, FKM	
Pieces per pack	1	
Suitability for sealing against		
Dust	(+)	
Fine solid particles	+	
Coarse solid particles	+	
Slivers	++	
Spray liquids	-	
Operating limits		
Long term temperature	°C	-20 to +200 (due to FKM)
	°F	-4 to +390 (due to FKM)
Circumferential velocity	m/s	No restriction
Misalignment	°	≤ 0,3
Low friction	++	
Axial shaft displacement (suitability as non-locating bearing)	+	
Vertical arrangement	-	
Suitability for grease relubrication	+	
Suitability for oil lubrication	-	
Compatibility with sunlight	++	
Preconditions		
Shaft diameter tolerance ¹⁾	h8 (h9)	
Shaft roughness	μm	Ra 3,2

- ++ Highly suitable
- + Suitable
- (+) Suitable with restrictions
- Not suitable

¹⁾ The envelope condition © applies here.

Taconite seal	Labyrinth seal, split	Bolt-on seal	Cover	
				
NTC	NTSG	BTAC	NDK	BDK
Steel, NBR	Steel, FKM	Steel, NBR	Steel, FKM	Steel
1	1	1	1	1
++	(+)	++	++	++
++	+	++	++	++
++	+	++	++	++
++	++	++	++	++
++	-	++	++	++
-30 to +100 (due to NBR)	-20 to +200 (due to FKM)	-30 to +100 (due to NBR)	-20 to +200 (due to FKM)	Not applicable
-22 to +210 (due to NBR)	-4 to +390 (due to FKM)	-22 to +210 (due to NBR)	-4 to +390 (due to FKM)	Not applicable
≦ 12	No restriction	≦ 12	Not applicable	Not applicable
≦ 0,3	≦ 0,3	≦ 0,4	Not applicable	Not applicable
+	++	+	Not applicable	Not applicable
+	+	+	Not applicable	Not applicable
(+)	-	-	++	++
+	+	++	++	++
(+)	-	-	+	-
++	++	++	++	++
h8 (h9)	h8 (h9)	h8 (h9)	Not applicable	Not applicable
Ra 3,2	Ra 3,2	Ra 3,2	Not applicable	Not applicable

Split plummer block housings SNS

Housing configurations

The modular structure of the plummer block housings SNS facilitates numerous possible combinations.

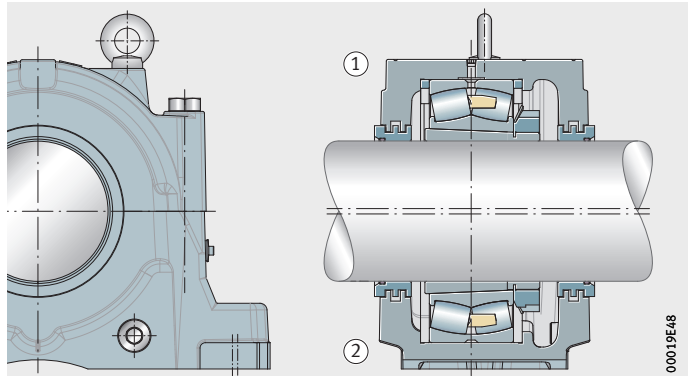
Based on the standard components, the housings can be combined as follows:

- location of bearings with a tapered bore by means of an adapter sleeve on a shaft of constant diameter or of bearings with a cylindrical bore directly on a stepped shaft
- sealing of housing by labyrinth seals (unsplit or split), taconite seals (unsplit or split) or Bolt-on seals (in combination with housings of design SNS.-B)
- with a continuous shaft or a housing closed on one side
- design of the bearing arrangement as a locating bearing arrangement or a non-locating bearing arrangement
- spherical roller bearing in a split or unsplit design.

The resulting possible housing configurations, *Figure 3* to *Figure 12*, page 18, make it possible to fulfil various requirements on the bearing positions by means of standard components.

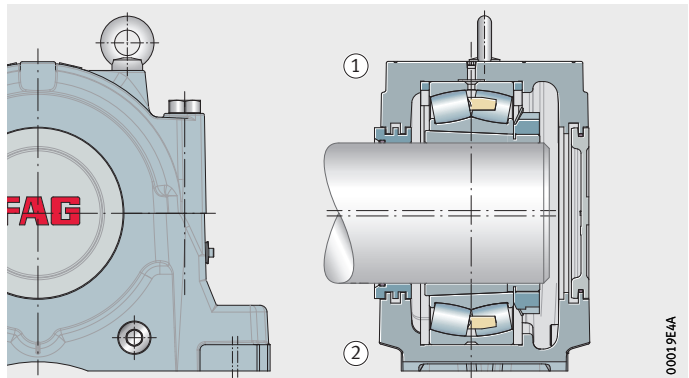
- ① Locating bearing
- ② Non-locating bearing

Figure 3
Plummer block housing SNS
for bearing with tapered bore and
adapter sleeve
(2 labyrinth seals NTS)



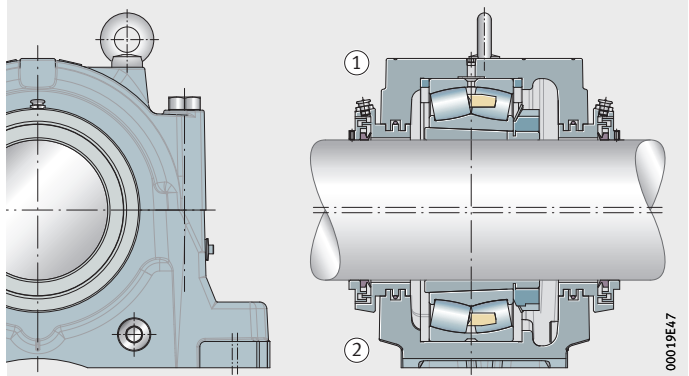
- ① Locating bearing
- ② Non-locating bearing

Figure 4
Plummer block housing SNS
for bearing with tapered bore and
adapter sleeve
(labyrinth seal NTS and cover NDK)



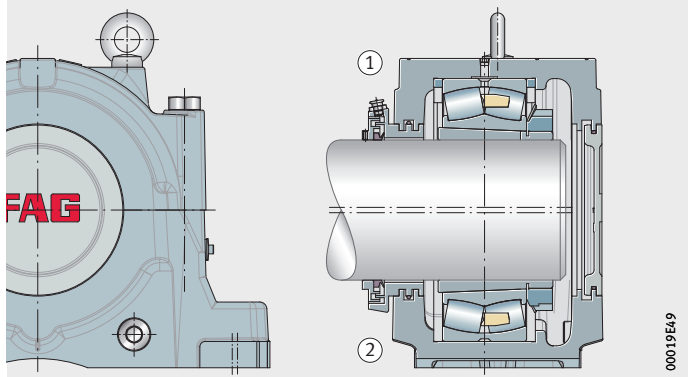
- ① Locating bearing
- ② Non-locating bearing

Figure 5
Plummer block housing SNS
for bearing with tapered bore and
adapter sleeve
(2 taconite seals NTC)



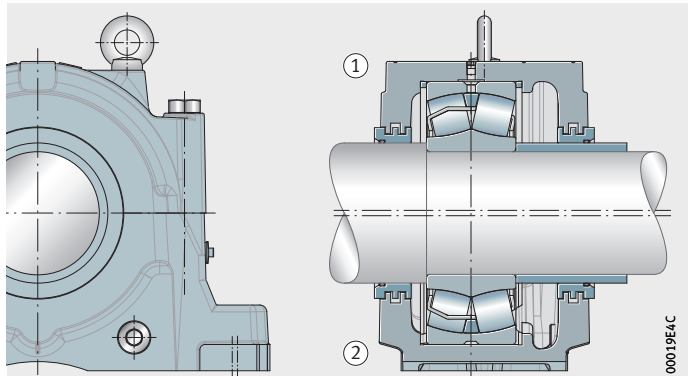
- ① Locating bearing
- ② Non-locating bearing

Figure 6
Plummer block housing SNS
for bearing with tapered bore and
adapter sleeve
(taconite seal NTC and cover NDK)



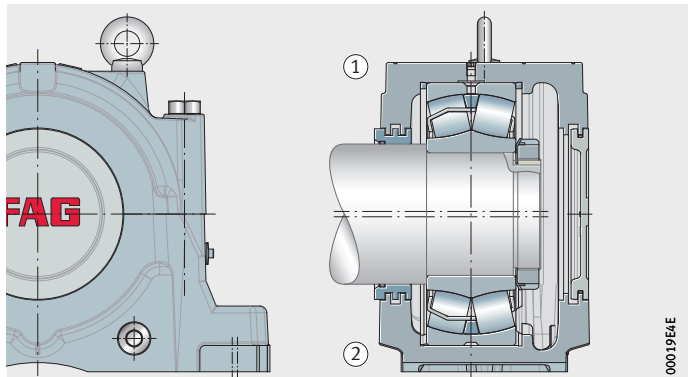
- ① Locating bearing
- ② Non-locating bearing

Figure 7
Plummer block housing SNS
for bearing with cylindrical bore
(2 labyrinth seals NTS)



- ① Locating bearing
- ② Non-locating bearing

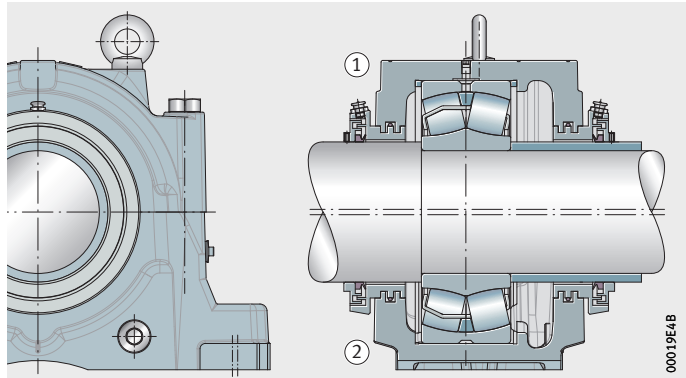
Figure 8
Plummer block housing SNS
for bearing with cylindrical bore
(labyrinth seal NTS and cover NDK)



Split plummer block housings SNS

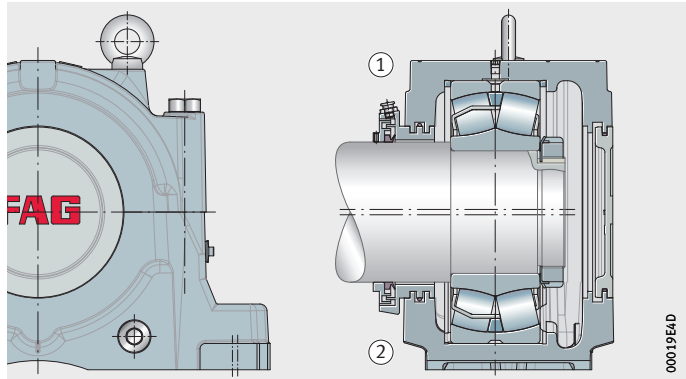
- ① Locating bearing
- ② Non-locating bearing

Figure 9
Plummer block housing SNS
for bearing with cylindrical bore
(2 taconite seals NTC)



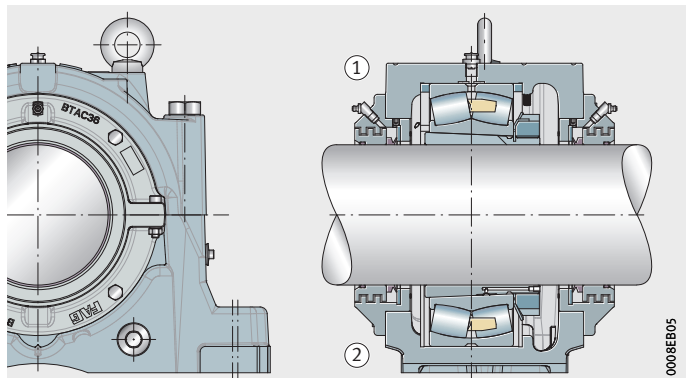
- ① Locating bearing
- ② Non-locating bearing

Figure 10
Plummer block housing SNS
for bearing with cylindrical bore
(taconite seal NTC and cover NDK)



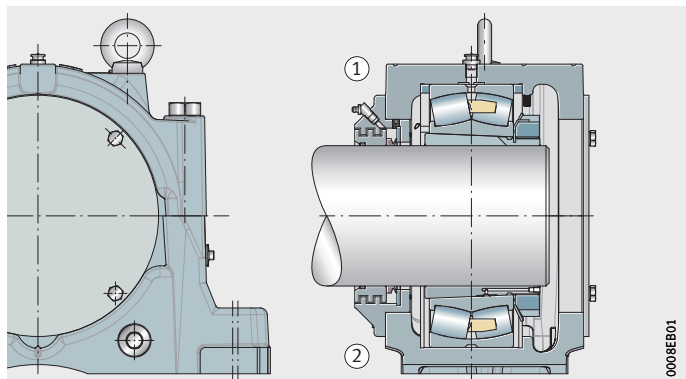
- ① Locating bearing
- ② Non-locating bearing

Figure 11
Plummer block housing SNS
for bearing with tapered bore and
adapter sleeve
(2 Bolt-on seals BTAC)



- ① Locating bearing
- ② Non-locating bearing

Figure 12
Plummer block housing SNS
for bearing with tapered bore and
adapter sleeve
(Bolt-on seal BTAC and cover BDK)

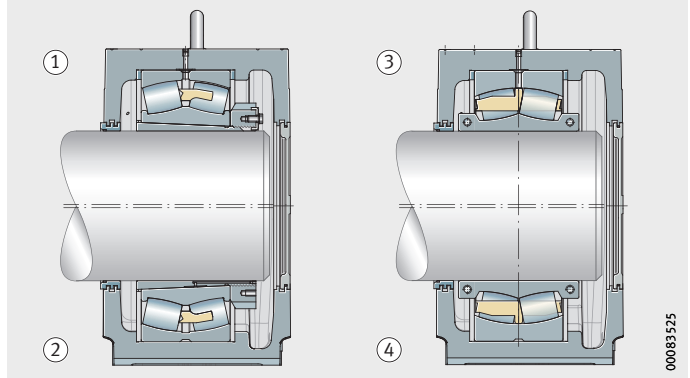


**Mounting
of split spherical roller bearings**

In the case of plummer block housings SNS, an unsplit spherical roller bearing with a tapered bore and adapter sleeve can be replaced by a split spherical roller bearing, *Figure 13*.

- ① Locating bearing with unsplit bearing
- ② Non-locating bearing with unsplit bearing
- ③ Locating bearing with split bearing
- ④ Non-locating bearing with split bearing

Figure 13
Plummer block housing SNS
with split and unsplit
spherical roller bearing



Split plumber block housings SNS

Lubrication Split plumber block housings SNS are principally intended for grease lubrication. However, a design for oil lubrication is also available by agreement.

Greases In order to achieve a long operating life and high operational security of the bearing arrangement, we recommend the use of Arcanol rolling bearing greases. These have been designed and tested for bearing arrangement engineering.

Further information

- Technical Product Information
TPI 168, Arcanol Rolling Bearing Greases
<https://www.schaeffler.de/std/1F66>
- Technical Product Information
TPI 176, Lubrication of Rolling Bearings
<https://www.schaeffler.de/std/1F83>

Grease quantity For initial greasing, the basic rule is that the bearing should be filled with grease to 100% and the free volume of the housing to 60%. The free volume is the space that remains in the housing once the bearing, adapter sleeve, shaft and seals have been fitted. The recommended grease quantity can also be stated in grams once the density of the grease has been taken into consideration, see table.

The recommended grease quantity in the table takes account of the following:

- filling of the free volume to 60%
- grease with a density of 0,9 g/cm³.

Recommended grease quantity for selected housing/bearing combinations

Housing	Bearing	Adapter sleeve	Free volume (100%) cm ³	Recommended grease quantity ≈ g	
SNS22 SNS2264-H-D	22264...K	H3064	27 550	14 900	
SNS30	SNS3036-H-D	23036...K	H3036	2 900	1 600
	SNS3038-H-D	23038...K	H3038	3 900	2 250
	SNS3040-H-D	23040...K	H3040	5 020	3 050
	SNS3044-H-D	23044...K	H3044	5 770	4 260
	SNS3048-H-D	23048...K	H3048	7 280	4 550
	SNS3052-H-D	23052...K	H3052	9 930	6 750
	SNS3056-H-D	23056...K	H3056	12 500	6 750
	SNS3060-H-D	23060...K	H3060	14 800	8 000
	SNS3064-H-D	23064...K	H3064	19 400	10 500
	SNS3068-H-D	23068...K	H3068	24 000	13 000
	SNS3072-H-D	23072...K	H3072	30 400	16 450
	SNS3076-H-D	23076...K	H3076	32 000	17 300
	SNS3080-H-D	23080...K	H3080	33 500	18 100
	SNS3084-H-D	23084...K	H3084	35 000	18 900
	SNS3088-H-D	23088...K	H3088	43 400	23 450
	SNS3092-H-D	23092...K	H3092	56 600	30 600
	SNS3096-H-D	23096...K	H3096	55 200	29 850
	SNS30/500-H-D	230/500...K	H30/500	55 200	29 850
	SNS30/530-H-D	230/530...K	H30/530	67 500	36 450

**Recommended grease quantity
for selected housing/bearing
combinations
(continued)**

Housing	Bearing	Adapter sleeve	Free volume (100%) cm ³	Recommended grease quantity ≈ g	
SNS31	SNS3134-H-D	23134..K	H3134	2 900	1 600
	SNS3136-H-D	23136..K	H3136	3 810	2 060
	SNS3138-H-D	23138..K	H3138	5 030	2 720
	SNS3140-H-D	23140..K	H3140	6 780	3 660
	SNS3144-H-D	23144..K	H3144	7 520	4 060
	SNS3148-H-D	23148..K	H3148	10 100	5 990
	SNS3152-H-D	23152..K	H3152	11 650	6 300
	SNS3156-H-D	23156..K	H3156	12 550	6 800
	SNS3160-H-D	23160..K	H3160	17 200	9 300
	SNS3164-H-D	23164..K	H3164	21 250	11 500
	SNS3168-H-D	23168..K	H3168	27 550	14 900
	SNS3172-H-D	23172..K	H3172	28 500	15 400
	SNS3176-H-D	23176..K	H3176	28 300	15 300
	SNS3180-H-D	23180..K	H3180	36 450	19 700
	SNS3184-H-D	23184..K	H3184	45 550	24 600
	SNS3188-H-D	23188..K	H3188	48 300	26 100
	SNS3192-H-D	23192..K	H3192	52 000	28 100
SNS3196-H-D	23196..K	H3196	55 000	29 700	
SNS32	SNS3234-H-D	23234..K	H2334	5 350	2 900
	SNS3236-H-D	23236..K	H2336	5 350	2 900
	SNS3238-H-D	23238..K	H2338	6 500	3 510
	SNS3240-H-D	23240..K	H2340	6 900	3 760
	SNS3244-H-D	23244..K	H2344	10 000	5 400
	SNS3248-H-D	23248..K	H2348	10 200	5 550
	SNS3252-H-D	23252..K	H2352	15 500	8 400
	SNS3256-H-D	23256..K	H2356	15 500	8 400
	SNS3260-H-D	23260..K	H3260	19 000	10 300
	SNS3264-H-D	23264..K	H3264	25 300	13 700
	SNS3268-H-D	23268..K	H3268	25 000	13 500
	SNS3272-H-D	23272..K	H3272	26 800	14 500
	SNS3276-H-D	23276..K	H3276	38 600	20 850
	SNS3280-H-D	23280..K	H3280	44 100	23 850
	SNS3284-H-D	23284..K	H3284	45 000	24 350
	SNS3288-H-D	23288..K	H3288	49 400	26 700

Information on the recommended grease quantity for other housing sizes is available by agreement.

The recommended degree of filling for the greasing of bearings, as a function of the application and speed, may deviate from 100%.

Split plumber block housings SNS

Relubrication Where relubrication is carried out on bearings with a circumferential lubrication groove, the grease is introduced into the housing via the central lubrication hole, *Figure 14*, page 23, ①. In this type of relubrication, the grease acts directly on the bearing.

For the relubrication of bearings without a lubrication groove, two relubrication points are provided in the upper housing section, *Figure 14*, ②. One of the two points has a threaded hole, while the other is indicated by a cast-in pilot hole.

The lubrication holes and lubrication nipples provided for relubrication differ according to the design of the housing, see table. In the case of housings SNS..-H and SNS..-Z, the threaded holes are closed off by a screw plug. This must be removed and permanently replaced by one of the lubrication nipples supplied. In the case of housings SNS..-B, both taper type lubrication nipples are already fitted.

Lubrication holes and lubrication nipples

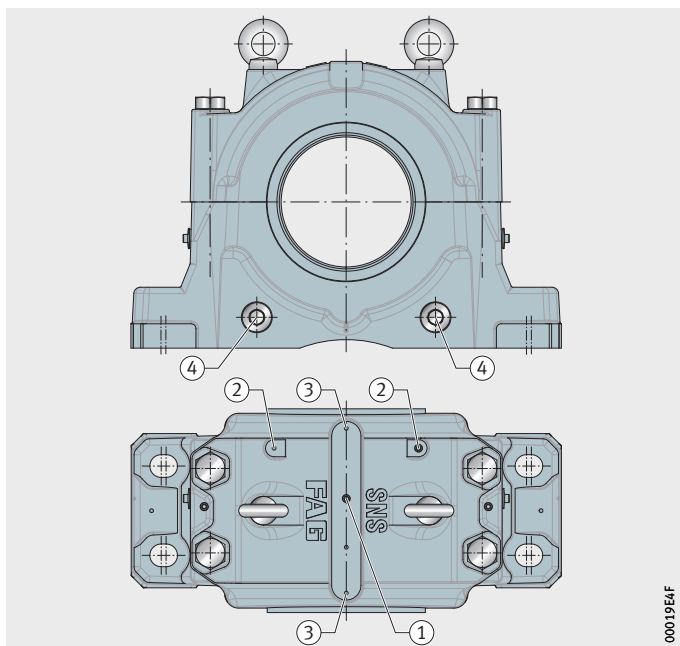
Housing	Thread	Lubrication nipple	Delivery quantity
SNS..-H SNS..-Z	M10×1	Button head lubrication nipple in accordance with DIN 3404-M10×1 (with dust cap)	1
		Taper type lubrication nipple in accordance with DIN 71412-AM10×1 (with dust cap)	1
SNS..-B	ISO 288-G1/4	Button head lubrication nipple in accordance with DIN 3404-A G1/4 St	2

Lubrication holes can be provided at two further points for relubrication of labyrinth seals, *Figure 14*, ③.

In order to prevent overgreasing, the screw plugs must be removed from the two grease outlet holes in the lower housing section for the duration of relubrication, *Figure 14*, ④. This allows superfluous grease to escape. The grease outlet holes must then be closed off again using the screw plugs.

- ① Central lubrication hole, for bearings with lubrication groove
- ② Points for relubrication of bearings without lubrication groove
- ③ Points for relubrication of labyrinth seals
- ④ Grease outlet holes

Figure 14
Points for relubrication



In the interests of the environment, controlled metering must be ensured. Any grease that escapes via the grease outlet holes must be collected by means of a suitable device.

If unfavourable environmental conditions are present, there is therefore a risk of contamination being carried into the housing when the grease outlet holes are opened.

Split plummer block housings SNS

Automatic lubricators

The plummer block housings SNS can also be connected directly to automatic lubricators, such as the CONCEPT1 from Schaeffler, *Figure 15*.



Figure 15
Plummer block housing SNS
with automatic lubricator CONCEPT1

Further information

- Technical Product Information
TPI 252, Lubricators for grease and oil lubrication
<https://www.schaeffler.de/std/1F84>

Designation structure

The designation structure of split plummer block housings SNS and accessories is shown in the tables and *Figure 16 to Figure 19*, page 27.

Designation structure of plummer block housings SNS

Feature	Code	Description
① Series	SNS	Split plummer block housings SNS
② ISO dimension series of bearing	30	ISO dimension series 22, 23, 30 and 40
	31	ISO dimension series 22, 23 and 31
	32	ISO dimension series 22 and 32
	40	ISO dimension series 40
③ Housing size	36	For bearings of ISO dimension series 30, 31 and 32: ■ Bore code of bearing
	/530	
④ Housing design	H	Main design, see table, page 25
	Z	Additional design, see table, page 25
	B	Design for Bolt-on seal
⑤ Housing material	D	Spheroidal graphite cast iron (standard)
	LT	Spheroidal graphite cast iron (for lower temperatures)



Figure 16
Designation structure of plummer block housings SNS, example

Plummer block housings SNS with labyrinth and taconite seals are available in the housing designs H and Z. Spherical roller bearings can be fitted, as a function of the bearing series, in one of the two housing designs, see table.

Allocation of housing designs H and Z to bearing types

Housing design	Bearing series
H	Spherical roller bearings with tapered bore and adapter sleeve
	Split spherical roller bearings
	Following spherical roller bearings with cylindrical bore: 22232, 22234, 22252, 22272, 22326, 22328, 22330, 22332, 22334, 22338, 22344, 22348, 22352, 22356, 23232, 24036
Z	Spherical roller bearings with cylindrical bore, not allocated to housing design H

Split plumber block housings SNS

Designation structure of standard seals

Feature	Code	Description
① Series	NTS	Labyrinth seal
	NTC	Taconite seal
	NTSG	Split labyrinth seal
	BTAC	Bolt-on seal
② Dimension series	36	Dimension series 36
③ Shaft diameter	No further indications	Standard shaft diameter of dimension series
	/125	Metric shaft diameter: ■ 125 mm
	X415	Inch size shaft diameter: ■ 4 inch + $15 \cdot \frac{1}{16}$ inch = $4\frac{15}{16}$ inch



Figure 17
Designation structure of standard seals, examples

Designation structure of covers

Feature	Code	Description
① Series	NDK	Cover for plumber block housings SNS...-H and SNS...-Z.
	BDK	Cover for plumber block housing SNS...-B
② Dimension series	36	Dimension series 36

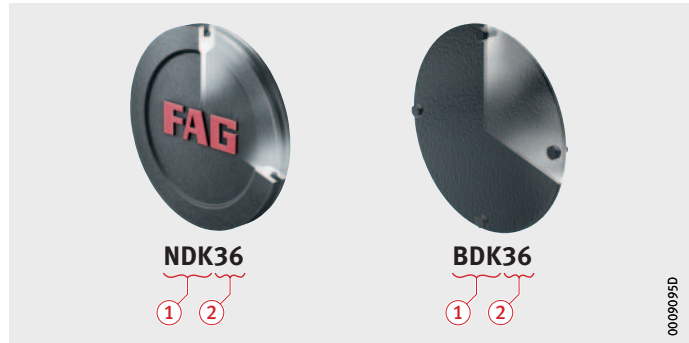


Figure 18
Designation structure
of covers,
example

Designation structure of locating rings

Feature	Code	Description
① Series	NFR	Locating ring
② Outside diameter	280	Outside diameter 280 mm
③ Width	10	Width 10 mm

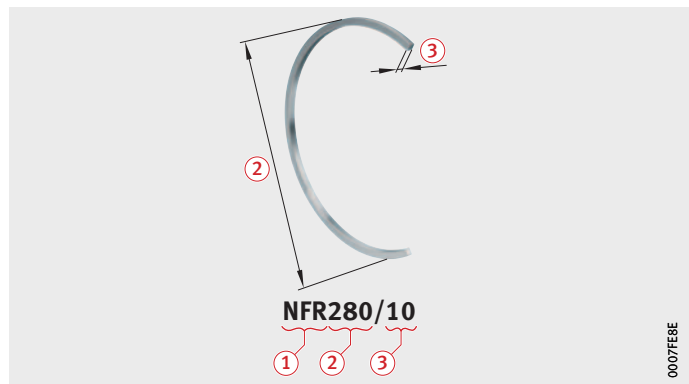


Figure 19
Designation structure
of locating rings,
example

Split plummer block housings SNS

Ordering examples

When a split plummer block housing SNS is ordered, the housing designation only describes the housing body. The other components such as seals, covers or locating rings must be ordered separately in the specific design required. The rolling bearing and, if necessary, the adapter sleeve must also be ordered separately.

Plummer block housings SNS with a bearing fitted give non-locating bearing arrangements. These can be converted into locating bearing arrangements through the additional insertion of locating rings NFR. The ordering examples show the construction of orders for selected housing combinations and the appropriate bearings. The allocation of housings, bearings and accessories for all housing sizes is shown in the dimension tables.

Example 1 Plummer block housing SNS made from spheroidal graphite cast iron, closed on one side, spherical roller bearing 23136-E1A-K-M as locating bearing, location by means of adapter sleeve on shaft diameter 160 mm, labyrinth seal.

Order	1 plummer block housing	SNS3136-H-D
	1 spherical roller bearing	23136-E1A-K-M
	1 adapter sleeve	H3136-HG
	2 locating rings	NFR300/10
	1 cover	NDK36
	1 labyrinth seal	NTS36

Example 2 Plummer block housing SNS made from spheroidal graphite cast iron, continuous shaft, spherical roller bearing 23136-E1A-K-M as non-locating bearing, location by means of adapter sleeve on shaft diameter 160 mm, taconite seal.

Order	1 plummer block housing	SNS3136-H-D
	1 spherical roller bearing	23136-E1A-K-M
	1 adapter sleeve	H3136-HG
	2 taconite seals	NTC36

Example 3 Plummer block housing SNS made from spheroidal graphite cast iron, closed on one side, spherical roller bearing 23136-E1A-K-M as non-locating bearing, location by means of adapter sleeve on shaft diameter 160 mm, Bolt-on seal.

Order	1 plummer block housing	SNS3136-B-D
	1 spherical roller bearing	23136-E1A-K-M
	1 adapter sleeve	H3136-HG
	1 cover	BDK36
	1 Bolt-on seal	BTAC36

Design and safety guidelines

Load carrying capacity

The permissible load on the housing is dependent on:

- the strength of the housing
- the strength of the connecting screws
- the load carrying capacity of the bearing
- the load direction.

Guide values are given for the rupture load of the housings and the maximum load carrying capacity of the screws connecting the upper and lower sections of the housing, *Figure 20* and table, page 30. The guide values are valid for purely static loading.

The values in the table apply if the flatness of the mounting surface in accordance with DIN EN ISO 1101 corresponds to tolerance grade IT7 in accordance with DIN EN ISO 286-1 (measured across the diagonal). A precondition for supporting loads is that the housing base surface is completely and rigidly supported.

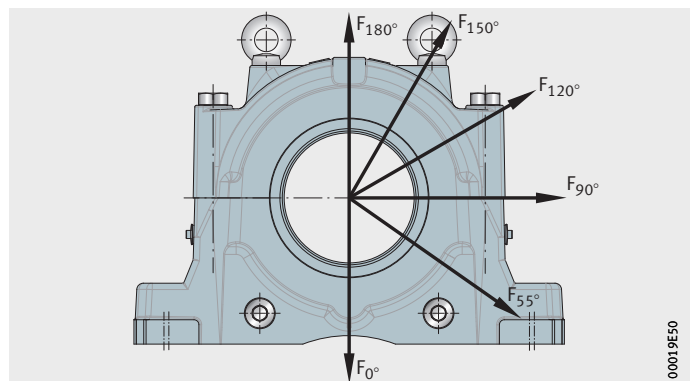
When determining the permissible static load, safety factors must be applied. For general machine building, the safety factor 6 relative to the housing rupture load is normally applied. Based on the precise calculation of the housing rupture loads using the Finite Element method and the use as standard of spheroidal graphite cast iron as the housing material, the safety factor 5 is sufficient for plummer block housings SNS.

A safety factor is not required for the values given for the load carrying capacity of the connecting screws.



If the housing is subjected to axial load, the permissible axial load of the bearing fitted must be taken into consideration. If the bearing is located on the shaft using an adapter sleeve, the axial retaining force of the bearing and adapter sleeve must also be taken into consideration.

Figure 20
Load directions F
for guide values
for housing rupture load and
maximum load carrying
capacity of connecting screws



Split plumber block housings SNS

Guide values
for housing rupture load and
maximum load carrying capacity
of connecting screws,
as well as tightening torques

Housing					Housing rupture loads ¹⁾ in load direction F	
SNS22	SNS30	SNS31	SNS32	SNS40	0° kN	55° kN
–	SNS3036	SNS3134	–	–	4 050	4 540
–	SNS3038	SNS3136	–	–	4 400	4 940
–	SNS3040	SNS3138	SNS3234	–	4 880	5 480
–	–	–	SNS3236	–	4 880	5 480
–	SNS3044	SNS3140	SNS3238	–	5 800	6 500
–	SNS3048	SNS3144	SNS3240	–	6 240	7 560
–	SNS3052	SNS3148	–	–	7 330	8 550
–	–	–	SNS3244	–	7 330	8 550
–	SNS3056	SNS3152	–	–	8 740	9 810
–	–	–	SNS3248	–	8 740	9 810
–	SNS3060	SNS3156	–	–	9 200	10 320
–	SNS3064	SNS3160	–	–	10 150	11 390
–	–	–	SNS3252	–	10 150	11 390
–	–	–	SNS3256	–	10 150	11 390
–	SNS3068	SNS3164	–	–	11 410	12 810
–	SNS3072	–	–	–	11 410	12 810
–	–	–	SNS3260	–	11 410	12 810
SNS2264	SNS3076	SNS3168	–	SNS4076	13 300	14 930
–	–	–	SNS3264	–	13 300	14 930
–	SNS3080	SNS3172	–	–	14 740	16 540
–	–	–	–	SNS4080	14 740	16 540
–	SNS3084	SNS3176	–	–	15 940	17 890
–	–	–	SNS3268	–	15 940	17 890
–	–	–	–	SNS4084	15 940	17 890
–	SNS3088	SNS3180	–	–	18 490	20 750
–	–	–	SNS3272	–	18 490	20 750
–	–	–	–	SNS4088	18 490	20 750
–	SNS3092	SNS3184	–	SNS4092	20 180	22 650
–	SNS3096	–	–	SNS4096	20 180	22 650
–	–	–	SNS3276	–	20 180	22 650
–	SNS30/500	SNS3188	–	–	21 940	24 620
–	–	–	SNS3280	–	21 940	24 620
–	–	–	–	SNS40/500	21 940	24 620
–	–	SNS3192	–	–	24 150	27 100
–	–	–	SNS3284	–	24 150	27 100
–	SNS30/530	SNS3196	–	SNS40/530	26 080	29 270
–	–	–	SNS3288	–	26 080	29 270

¹⁾ For housings made from spheroidal graphite cast iron GJS-400-15 (suffix D).

²⁾ Maximum load carrying capacity in load direction F, where there is still contact at the parting line between the upper and lower housing sections.

					Connecting screws						
					Screws to DIN EN ISO 4014	Tighten- ing torque	Maximum load carrying capacity in load direction F ²)				
90° kN	120° kN	150° kN	180° kN	axial kN			Material 8.8	90° kN	120° kN	150° kN	180° kN
3 040	1 650	1 190	1 220	1 170	M24	559	1 380	760	618	725	
3 300	1 800	1 300	1 330	1 270	M24	559	1 370	760	615	723	
3 660	1 990	1 440	1 470	1 410	M24	559	1 500	830	670	790	
3 660	1 990	1 440	1 470	1 410	M24	559	1 500	830	670	790	
4 350	2 370	1 700	1 750	1 670	M24	559	1 510	836	677	796	
5 070	2 880	2 360	2 380	1 880	M24	559	1 484	820	664	781	
5 720	3 190	2 470	2 510	2 080	M30	1 118	2 380	1 315	1 065	1 252	
5 720	3 190	2 470	2 510	1 880	M30	1 118	2 380	1 315	1 065	1 252	
6 550	3 570	2 580	2 640	2 520	M30	1 118	2 372	1 310	1 061	1 250	
6 550	3 570	2 580	2 640	1 410	M30	1 118	2 372	1 310	1 061	1 250	
6 900	3 760	2 710	2 780	2 652	M30	1 118	2 330	1 290	1 040	1 230	
7 620	4 150	3 000	3 070	2 810	M30	1 118	2 220	1 230	990	1 170	
7 620	4 150	3 000	3 070	2 230	M30	1 118	2 220	1 230	990	1 170	
7 620	4 150	3 000	3 070	2 230	M30	1 118	2 220	1 230	990	1 170	
8 560	4 660	3 370	3 450	3 355	M30	1 118	2 220	1 230	1 000	1 170	
8 560	4 660	3 370	3 450	3 355	M30	1 118	2 200	1 230	1 000	1 170	
8 560	4 660	3 370	3 450	2 900	M30	1 118	2 200	1 230	1 000	1 170	
9 980	5 430	3 930	4 020	3 480	M36	1 945	3 260	1 800	1 460	1 720	
9 980	5 430	3 930	4 020	2 690	M36	1 945	3 260	1 800	1 460	1 720	
11 060	6 020	4 350	4 450	4 250	M36	1 945	3 100	1 710	1 390	1 630	
11 060	6 020	4 350	4 450	4 295	M36	1 945	3 100	1 710	1 390	1 630	
11 960	6 510	4 710	4 820	4 600	M36	1 945	3 100	1 710	1 390	1 630	
11 960	6 510	4 710	4 820	3 628	M36	1 945	3 100	1 710	1 390	1 630	
11 960	6 510	4 710	4 820	4 200	M36	1 945	3 100	1 710	1 390	1 630	
13 870	7 560	5 460	5 590	5 330	M36	1 945	3 200	1 770	1 430	1 690	
13 870	7 560	5 460	5 590	3 200	M36	1 945	3 200	1 770	1 430	1 690	
13 870	7 560	5 460	5 590	4 535	M36	1 945	3 200	1 770	1 430	1 690	
15 140	8 250	5 960	6 100	5 650	M42	2 794	4 110	2 270	1 840	2 160	
15 140	8 250	5 960	6 100	5 650	M42	2 794	4 110	2 270	1 840	2 160	
15 140	8 250	5 960	6 100	4 530	M42	2 794	4 110	2 270	1 840	2 160	
16 460	8 970	6 480	6 630	6 320	M42	2 794	4 110	2 270	1 840	2 160	
16 460	8 970	6 480	6 630	4 360	M42	2 794	4 110	2 270	1 840	2 160	
16 460	8 970	6 480	6 630	6 350	M42	2 794	4 110	2 270	1 840	2 160	
18 120	9 870	7 130	7 300	6 962	M42	2 794	4 160	2 300	1 860	2 190	
18 120	9 870	7 130	7 300	4 747	M42	2 794	4 160	2 300	1 860	2 190	
19 560	10 660	7 700	7 880	7 420	M42	2 794	4 160	2 300	1 860	2 190	
19 560	10 660	7 700	7 880	4 500	M42	2 794	4 160	2 300	1 860	2 190	

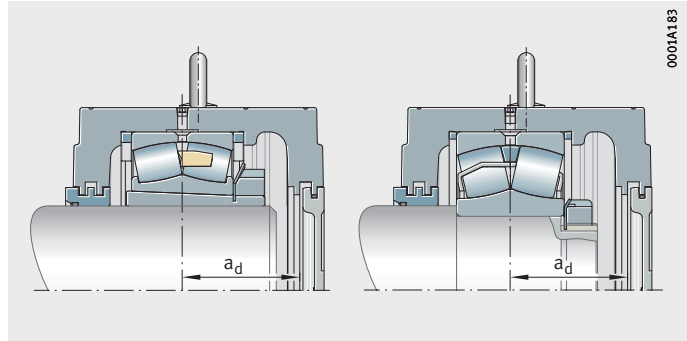
Split plummer block housings SNS

Permissible shaft end designs

In the case of a housing closed on one side, the length of the shaft in the housing must be restricted such that no contact occurs between the shaft and the cover. In this case, the displacement facility of the bearing in a non-locating bearing arrangement must be taken into consideration. The basis for determining the permissible length of the shaft is the spacing between the centre of the bearing seat and the cover, *Figure 21* and table.

a_d = spacing between centre of bearing seat and cover

Figure 21
Spacing between centre of bearing seat and cover



Spacing between centre of bearing seat and cover

Housing					Spacing
SNS22	SNS30	SNS31	SNS32	SNS40	a_d mm
–	SNS3036	SNS3134	–	–	107,5
–	SNS3038	SNS3136	–	–	113,5
–	SNS3040	SNS3138	SNS3234	–	117,5
–	–	–	SNS3236	–	117,5
–	SNS3044	SNS3140	SNS3238	–	127,5
–	SNS3048	SNS3144	SNS3240	–	133,5
–	SNS3052	SNS3148	SNS3244	–	141,5
–	SNS3056	SNS3152	SNS3248	–	151,5
–	SNS3060	SNS3156	–	–	154,5
–	SNS3064	SNS3160	SNS3252	–	175,5
–	–	–	SNS3256	–	175,5
–	SNS3068	SNS3164	SNS3260	–	186,5
–	SNS3072	–	–	–	186,5
SNS2264	SNS3076	SNS3168	SNS3264	SNS4076	202,5
–	SNS3080	SNS3172	SNS3268	SNS4080	208,5
–	SNS3084	SNS3176	–	SNS4084	208,5
–	SNS3088	SNS3180	SNS3272	SNS4088	223,5
–	SNS3092	SNS3184	SNS3276	SNS4092	243,5
–	SNS3096	SNS3188	SNS3280	SNS4096	243,5
–	SNS30/500	–	–	SNS40/500	243,5
–	SNS30/530	SNS3192	SNS3284	SNS40/530	248,5
–	–	SNS3196	SNS3288	–	248,5

Mounting and dismounting

Correct mounting has a decisive influence on the achievable bearing life. For this reason, careful attention must be paid to the following information.

Surface quality of the mounting surface

The requirements for the surface on which the housing is to be mounted are as follows:

- sufficiently robust to withstand the static and dynamic loads occurring in operation over the long term
- surface roughness $R_a \leq 12,5$
- flatness tolerance to IT7, measured across the diagonal
- free from colour.

Compliance with these requirements is the basis for the operational security of the housing and a long operating life of the bearing fitted.

Horizontal fixing of the housing

In addition to the foot screws, horizontal fixing of the housing is necessary if one of the following conditions is fulfilled:

- The load angle is between 55° and 120° , *Figure 20*, page 29.
- Axial load is present.

It is recommended that the horizontal fixing is carried out by means of stops in the load direction. The lower housing section is therefore provided with machined locating faces.

Eye bolts

The upper housing section has 2 eye bolts in accordance with DIN 580. These are intended as locating points for mounting and dismounting of the housing. The load carrying capacity of the eye bolts allows lifting of the housing including a bearing fitted in the housing.



Eye bolts must always be screwed fully into the housing.

Eye bolts should only be used for lifting the housing including the bearing fitted in the housing. During lifting by means of the eye bolts, no other machine or plant components should be connected to the housing.

Split plummer block housings SNS

Foot screws

Foot screws, see table, are used to screw mount housings to the mounting surface.

Foot screws are not included in the scope of delivery of the housings.

Nominal sizes of foot screws for plummer block housings SNS

Housing					Nominal screw size
SNS22	SNS30	SNS31	SNS32	SNS40	
–	SNS3036	SNS3134	SNS3234	–	M24
–	SNS3038	SNS3136	SNS3236	–	
–	SNS3040	SNS3138	–	–	
–	SNS3044	SNS3140	SNS3238	–	M30
–	SNS3048	SNS3144	SNS3240	–	
–	SNS3052	SNS3148	SNS3244	–	
SNS2264	SNS3056	SNS3152	SNS3248	SNS4076	M36
–	SNS3060	SNS3156	SNS3252	SNS4080	
–	SNS3064	SNS3160	SNS3256	SNS4084	
–	SNS3068	SNS3164	SNS3260	–	
–	SNS3072	SNS3168	SNS3264	–	
–	SNS3076	SNS3172	SNS3268	–	
–	SNS3080	SNS3176	–	–	
–	SNS3084	–	–	–	
–	SNS3088	SNS3180	SNS3272	SNS4088	
–	SNS3092	SNS3184	SNS3276	SNS4092	M42
–	SNS3096	SNS3188	SNS3280	SNS4096	
–	SNS30/500	SNS3192	SNS3284	SNS40/500	
–	SNS30/530	SNS3196	SNS3288	SNS40/530	M48

The following table contains tightening torques for metric coarse pitch threads in accordance with DIN 13, DIN 962 and DIN ISO 965-2.

The maximum tightening torques are valid with 90% utilisation of the yield stress of the screw material 8.8 and a friction factor of 0,14. We recommend that foot screws should be tightened to approx. 70% of these values, see table.

Tightening torques for foot screws with metric thread in accordance with DIN 13, DIN ISO 962 and DIN ISO 965-2

Nominal screw diameter	Maximum tightening torque Nm	Recommended tightening torque Nm
M24	798	550
M30	1 597	1 100
M36	2 778	1 950
M42	3 991	2 750
M48	6 021	4 250

Location of bearings with a tapered bore on the shaft

Bearings with a tapered bore are located on the shaft in plunger block housings SNS by means of adapter sleeves. The adapter sleeve is slid onto the shaft first and then the bearing is slid onto the taper of the adapter sleeve. As a result, the radial internal clearance of the bearing is reduced. At the same time, a radial preload occurs between the bearing inner ring, adapter sleeve and shaft, ensuring the rigid seating of the bearing on the shaft.

FAG hydraulic nuts can be used to aid the pressing-on operation. The reduction in the radial internal clearance is determined in the case of spherical roller bearings by measurement of the residual clearance using feeler gauges.

The values given for the reduction in the radial internal clearance and the drive-up distance on the taper lead to rigid seating of the bearing on the shaft, see table.

Reduction in the radial internal clearance and drive-up distance on the taper 1:12

Nominal bearing bore diameter		Reduction in radial internal clearance		Drive-up distance on taper 1:12				Required minimum radial internal clearance after mounting, control value for		
				Shaft		Sleeve		Group N	Group 3	Group 4
over	incl.	min.	max.	min.	max.	min.	max.	min.	min.	min.
100	120	0,05	0,07	0,7	1,1	0,8	1,2	0,05	0,065	0,1
120	140	0,065	0,09	1,1	1,4	1,2	1,5	0,055	0,08	0,11
140	160	0,075	0,1	1,2	1,6	1,3	1,7	0,055	0,09	0,13
160	180	0,08	0,11	1,3	1,7	1,4	1,9	0,06	0,1	0,15
180	200	0,09	0,13	1,4	2	1,5	2,2	0,07	0,1	0,16
200	225	0,1	0,14	1,6	2,2	1,7	2,4	0,08	0,12	0,18
225	250	0,11	0,15	1,7	2,4	1,8	2,6	0,09	0,13	0,2
250	280	0,12	0,17	1,9	2,6	2	2,9	0,1	0,14	0,22
280	315	0,13	0,19	2	3	2,2	3,2	0,11	0,15	0,24
315	355	0,15	0,21	2,4	3,4	2,6	3,6	0,12	0,17	0,26
355	400	0,17	0,23	2,6	3,6	2,9	3,9	0,13	0,19	0,29
400	450	0,2	0,26	3,1	4,1	3,4	4,4	0,13	0,2	0,31
450	500	0,21	0,28	3,3	4,4	3,6	4,8	0,16	0,23	0,35
500	560	0,24	0,32	3,7	5	4,1	5,4	0,17	0,25	0,36
560	630	0,26	0,35	4	5,4	4,4	5,9	0,2	0,29	0,41

Split plummer block housings SNS

Location of bearings with a cylindrical bore on the shaft

Bearings with a cylindrical bore are mounted in plummer block housings SNS on a stepped shaft. The bearing and then a spacer sleeve are slid onto the shaft. The outside diameter of the spacer sleeve must be selected such that it corresponds to the larger diameter of the stepped shaft. The seal is then slid onto the spacer sleeve. In the case of a housing closed on one side, a spacer sleeve is not used.

Spacer sleeves are not included in the scope of delivery of the housings.

Further information on mounting of bearings

- Machining tolerances for shafts:
Catalogue HR 1, Rolling Bearings
<https://www.schaeffler.de/std/1F85>
- Detailed information on mounting of rotary bearings:
MH 1, Mounting Handbook
<https://www.schaeffler.de/std/1F86>

Mounting manual

The information on mounting and dismounting in this publication is aimed at the designer in order that he can take account, as early as the design stage, of all the requirements relating to mounting. There is a separate mounting manual for mounting personnel.



The mounting manual contains all the information that is required for safe, correct mounting.

Further information on mounting of housings

- Mounting Manual MON 84, Split Plummer Block Housings SNS
<https://www.schaeffler.de/std/1F89>

Accuracy The bearing seat in split plummer block housings SNS is machined to the tolerance class G7.

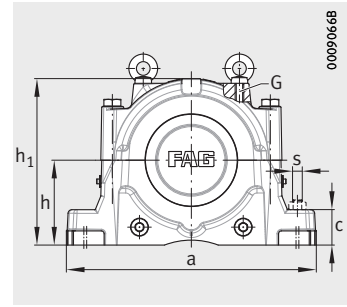
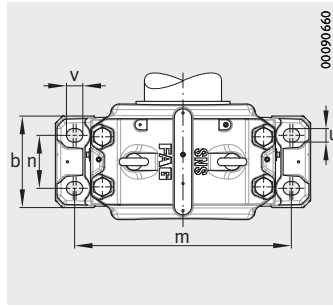
By agreement, the housings can also be supplied with other tolerance classes for the bearing seat. If necessary, please contact us.

Plummer block housings

SNS, split

For spherical roller bearings with tapered bore and adapter sleeve

Metric shaft



Dimension table · Dimensions in mm

Shaft d_1	Housing Dimensions														Spherical roller bearing and accessories	
	h	h_1	g	b	c	a	m	n	v	u	s	D	k	e	Bearing	Adapter sleeve
115	170	333	230	180	70	510	430	100	34	28	M24	280	108	14	22326..-K	H2326
125	180	353	240	190	75	530	450	110	34	28	M24	300	116	15	22328..-K	H2328
135	190	375	260	210	80	560	480	120	34	28	M24	320	124	10	22330..-K	H2330
140	180	353	240	190	75	530	450	110	34	28	M24	290	115	15	22332..-K	H3132(-HG)
140	210	411	280	230	85	610	510	130	42	35	M30	340	132	10	22332..-K	H2332(-HG)
140	180	353	240	190	75	530	450	110	34	28	M24	290	115	15	23232..-K	H2332(-HG)
150	190	375	260	210	80	560	480	120	34	28	M24	310	122	10	22234..-K	H3134(-HG)
150	220	434	290	240	90	640	540	140	42	35	M30	360	140	12	22334..-K	H2334(-HG)
150	170	333	230	180	70	510	430	100	34	28	M24	280	108	14	23134..-K	H3134(-HG)
150	170	333	230	180	70	510	430	100	34	28	M24	280	108	14	231SM150-MA ¹⁾	-
150	190	375	260	210	80	560	480	120	34	28	M24	310	122	10	23234..-K	H2334(-HG)
160	190	375	260	210	80	560	480	120	34	28	M24	320	124	10	22236..-K	H3136(-HG)
160	170	333	230	180	70	510	430	100	34	28	M24	280	108	14	23036..-K	H3036(-HG)
160	170	333	230	180	70	510	430	100	34	28	M24	280	108	14	230SM160-MA ¹⁾	-
160	180	353	240	190	75	530	450	110	34	28	M24	300	116	15	23136..-K	H3136(-HG)
160	180	353	240	190	75	530	450	110	34	28	M24	300	116	15	231SM160-MA ¹⁾	-
160	190	375	260	210	80	560	480	120	34	28	M24	320	124	10	23236..-K	H2336(-HG)
170	210	411	280	230	85	610	510	130	42	35	M30	340	132	10	22238..-K	H3138(-HG)
170	240	474	310	260	95	700	600	150	42	35	M30	400	148	12	22338..-K	H2338(-HG)
170	180	353	240	190	75	530	450	110	34	28	M24	290	115	15	23038..-K	H3038(-HG)
170	180	353	240	190	75	530	450	110	34	28	M24	290	115	15	230SM170-MA ¹⁾	-
170	190	375	260	210	80	560	480	120	34	28	M24	320	124	10	23138..-K	H3138(-HG)
170	190	375	260	210	80	560	480	120	34	28	M24	320	124	10	231SM170-MA	-
170	210	411	280	230	85	610	510	130	42	35	M30	340	132	10	23238..-K	H2338(-HG)

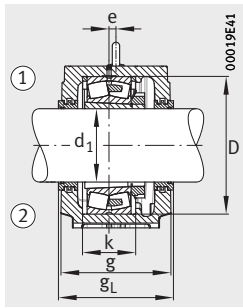
① Locating bearing, ② Non-locating bearing.

1) Split bearing in associated housing has restricted usability. Please ask for further information.

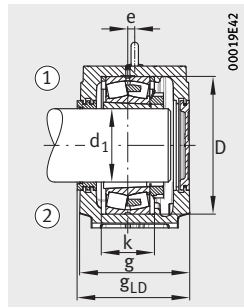
2) Alternatively also available with split labyrinth seal NTSG.

3) With NTSG: width g_L increased by 16 mm.

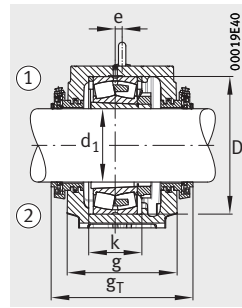
4) With NTSG: width g_D increased by 8 mm.



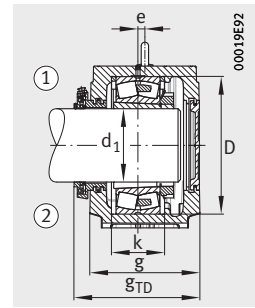
Labyrinth seal NTS



Labyrinth seal NTS
Cover NDK



Taconite seal NTC

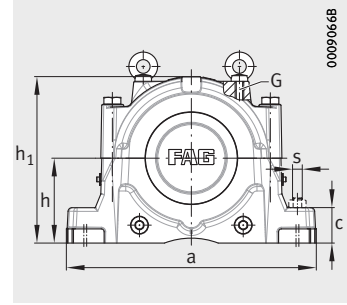
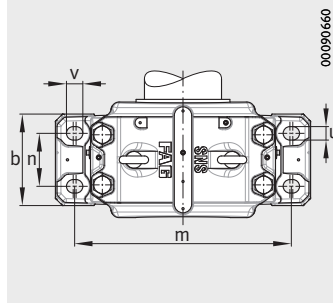


Taconite seal NTC
Cover NDK

									Housing		
Locating ring		Labyrinth seal			Taconite seal			Cover	G	Mass m ≈ kg	Designation
	Quantity		gL mm	gL _D mm		g _T mm	g _{TD} mm				
NFR280/7,5	2	NTS34/115	241	235,5	NTC34/115	299	264	NDK34	M16	75	SNS3134-H-D
NFR300/7	2	NTS36/125	251	245,5	NTC36/125	310	274,5	NDK36	M16	83	SNS3136-H-D
NFR320/8	2	NTS38/135	271	265,5	NTC38/135	330	294,5	NDK38	M20	102	SNS3138-H-D
NFR290/17,5	2	NTS38/140	251	245,5	NTC38/140	312	275,5	NDK38	M16	86	SNS3038-H-D
NFR340/9	2	NTS40/140	291	285,5	NTC40/140	347	313	NDK40	M20	133	SNS3140-H-D
NFR290/5,5	2	NTS38/140	251	245,5	NTC38/140	312	275,5	NDK38	M16	86	SNS3038-H-D
NFR310/18	2	NTS40/150	271	265,5	NTC40/150	326	293	NDK40	M20	105	SNS3040-H-D
NFR360/10	2	NTS48/150	301	295,5	NTC48/150	380	335	NDK48	M20	148	SNS3048-H-D
NFR280/10	2	NTS34 ²⁾	241 ³⁾	235,5 ⁴⁾	NTC34	299	264,5	NDK34	M16	75	SNS3134-H-D
NFR280/10	2	NTS34 ²⁾	241 ³⁾	235,5 ⁴⁾	NTC34	299	264,5	NDK34	M16	75	SNS3134-H-D
NFR310/6	2	NTS40/150	271	265,5	NTC40/150	327	293	NDK40	M20	105	SNS3234-H-D
NFR320/19	2	NTS38/160	271	265,5	NTC38/160	329	294,5	NDK38	M20	102	SNS3138-H-D
NFR280/17	2	NTS36 ²⁾	241 ³⁾	235,5 ⁴⁾	NTC36	304	267	NDK36	M16	74	SNS3036-H-D
NFR280/17	2	NTS36 ²⁾	241 ³⁾	235,5 ⁴⁾	NTC36	304	267	NDK36	M16	74	SNS3036-H-D
NFR300/10	2	NTS36 ²⁾	251 ³⁾	245,5 ⁴⁾	NTC36	314	277	NDK36	M16	83	SNS3136-H-D
NFR300/10	2	NTS36 ²⁾	251 ³⁾	245,5 ⁴⁾	NTC36	314	277	NDK36	M16	83	SNS3136-H-D
NFR320/6	2	NTS38/160	271	265,5	NTC38/160	330	294,5	NDK38	M20	102	SNS3236-H-D
NFR340/10	4	NTS40/170	291	285,5	NTC40/170	346	313	NDK40	M20	133	SNS3140-H-D
NFR400/8	2	NTS48/170	321	315,5	NTC48/170	401	355	NDK48	M24	184	SNS3148-H-D
NFR290/10	4	NTS38 ²⁾	251 ³⁾	245,5 ⁴⁾	NTC38	312	275,5	NDK38	M16	86	SNS3038-H-D
NFR290/10	4	NTS38 ²⁾	251 ³⁾	245,5 ⁴⁾	NTC38	312	275,5	NDK38	M16	86	SNS3038-H-D
NFR320/10	2	NTS38 ²⁾	271 ³⁾	265,5 ⁴⁾	NTC38	334	297	NDK38	M20	102	SNS3138-H-D
NFR320/10	2	NTS38 ²⁾	271 ³⁾	265,5 ⁴⁾	NTC38	334	297	NDK38	M20	102	SNS3138-H-D
NFR340/6	2	NTS40/170	291	285,5	NTC40/170	347	313	NDK40	M20	133	SNS3238-H-D

Plummer block housings

SNS, split
For spherical roller bearings with tapered bore and adapter sleeve
Metric shaft



Dimension table (continued) · Dimensions in mm

Shaft d_1	Housing Dimensions														Spherical roller bearing and accessories	
	h	h_1	g	b	c	a	m	n	v	u	s	D	k	e	Bearing	Adapter sleeve
180	220	434	290	240	90	640	540	140	42	35	M30	360	140	12	22240..-K	H3140(-HG)
180	260	516	320	280	100	770	650	160	50	42	M36	420	166	13	22340..-K	H2340(-HG)
180	190	375	260	210	80	560	480	120	34	28	M24	310	122	10	23040..-K	H3040(-HG)
180	190	375	260	210	80	560	480	120	34	28	M24	310	122	10	2305M180-MA ¹⁾	–
180	210	411	280	230	85	610	510	130	42	35	M30	340	132	10	23140..-K	H3140(-HG)
180	210	411	280	230	85	610	510	130	42	35	M30	340	132	10	2315M180-MA	–
180	220	434	290	240	90	640	540	140	42	35	M30	360	140	12	23240..-K	H2340(-HG)
200	240	474	310	260	95	700	600	150	42	35	M30	400	148	12	22244..-K	H3144X(-HG)
200	280	550	320	280	105	790	670	160	50	42	M36	460	166	16	22344..-K	H2344X(-HG)
200	210	411	280	230	85	610	510	130	42	35	M30	340	130	10	23044..-K	H3044X(-HG)
200	210	411	280	230	85	610	510	130	42	35	M30	340	130	10	2305M200-MA	–
200	220	434	290	240	90	640	540	140	42	35	M30	370	140	12	23144..-K	H3144X(-HG)
200	220	434	290	240	90	640	540	140	42	35	M30	370	140	12	2315M200-MA ¹⁾	–
200	240	474	310	260	95	700	600	150	42	35	M30	400	164	12	23244..-K	H2344X(-HG)
220	260	516	320	280	100	770	650	160	50	42	M36	440	164	13	22248..-K	H3148X(-HG)
220	300	591	350	310	110	830	710	190	50	42	M36	500	180	22	22348..-K	H2348X(-HG)
220	220	434	290	240	90	640	540	140	42	35	M30	360	140	12	23048..-K	H3048(-HG)
220	220	434	290	240	90	640	540	140	42	35	M30	360	140	12	2305M220-MA ¹⁾	–
220	240	474	310	260	95	700	600	150	42	35	M30	400	148	12	23148..-K	H3148X(-HG)
220	240	474	310	260	95	700	600	150	42	35	M30	400	148	12	2315M220-MA	–
220	260	516	320	280	100	770	650	160	50	42	M36	440	180	13	23248..-K	H2348X(-HG)
240	300	591	350	310	110	830	710	190	50	42	M36	480	181	22	22252..-K	H3152X(-HG)
240	320	631	370	330	115	880	750	200	50	42	M36	540	196	23	22352..-K	H2352X(-HG)
240	240	474	310	260	95	700	600	150	42	35	M30	400	148	12	23052..-K	H3052X(-HG)
240	240	474	310	260	95	700	600	150	42	35	M30	400	148	12	2305M240-MA	–
240	260	516	320	280	100	770	650	160	50	42	M36	440	164	13	23152..-K	H3152X(-HG)
240	260	516	320	280	100	770	650	160	50	42	M36	440	164	13	2315M240-MA ¹⁾	–
240	300	591	350	310	110	830	710	190	50	42	M36	480	194	22	23252..-K	H2352X(-HG)

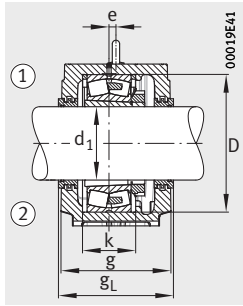
① Locating bearing. ② Non-locating bearing.

1) Split bearing in associated housing has restricted usability. Please ask for further information.

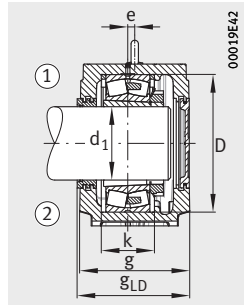
2) Alternatively also available with split labyrinth seal NTSG.

3) With NTSG: width g_L increased by 16 mm.

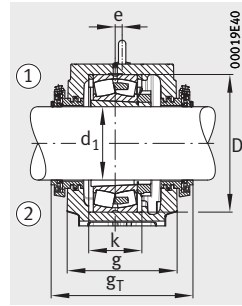
4) With NTSG: width g_{LD} increased by 8 mm.



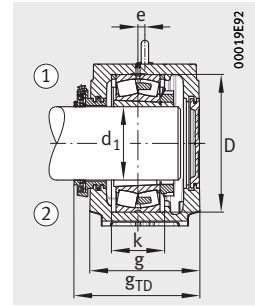
Labyrinth seal NTS



Labyrinth seal NTS
Cover NDK



Taconite seal NTC

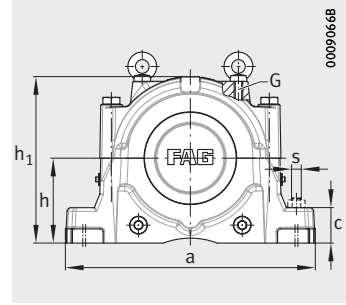
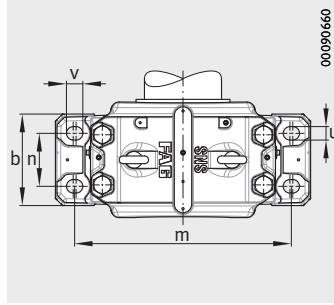


Taconite seal NTC
Cover NDK

									Housing		
Locating ring		Labyrinth seal			Taconite seal			Cover	G	Mass m ≈ kg	Designation
	Quantity		g _L mm	g _{LD} mm		g _T mm	g _{TD} mm				
NFR360/21	2	NTS48/180	301	295,5	NTC48/180	380	335	NDK48	M20	148	SNS3048-H-D
NFR420/14	2	NTS56/180	331	325,5	NTC56/180	411	365	NDK56	M24	249	SNS3056-H-D
NFR310/10	4	NTS40 ²⁾	271 ³⁾	265,5 ⁴⁾	NTC40	326	293	NDK40	M20	105	SNS3040-H-D
NFR310/10	4	NTS40 ²⁾	271 ³⁾	265,5 ⁴⁾	NTC40	326	293	NDK40	M20	105	SNS3040-H-D
NFR340/10	2	NTS40 ²⁾	291 ³⁾	285,5 ⁴⁾	NTC40	354	317	NDK40	M20	133	SNS3140-H-D
NFR340/10	2	NTS40 ²⁾	291 ³⁾	285,5 ⁴⁾	NTC40	354	317	NDK40	M20	133	SNS3140-H-D
NFR360/6	2	NTS48/180	301	295,5	NTC48/180	381	335	NDK48	M20	148	SNS3240-H-D
NFR400/10	4	NTS48/200	321	315,5	NTC48/200	400	355	NDK48	M24	184	SNS3148-H-D
NFR460/10,5	2	NTS56/200	331	325,5	NTC56/200	411	365	NDK56	M24	264	SNS3156-H-D
NFR340/10	4	NTS44 ²⁾	291 ³⁾	285,5 ⁴⁾	NTC44	370	325	NDK44	M20	129	SNS3044-H-D
NFR340/10	4	NTS44 ²⁾	291 ³⁾	285,5 ⁴⁾	NTC44	370	325	NDK44	M20	129	SNS3044-H-D
NFR370/10	2	NTS44 ²⁾	301 ³⁾	295,5 ⁴⁾	NTC44	380	335	NDK44	M20	146	SNS3144-H-D
NFR370/10	2	NTS44 ²⁾	301 ³⁾	295,5 ⁴⁾	NTC44	380	335	NDK44	M20	146	SNS3144-H-D
NFR400/10	2	NTS48/200	321	315,5	NTC48/200	401	355	NDK48	M24	183	SNS3244-H-D
NFR440/22	2	NTS52/220	331	325,5	NTC52/220	410	365	NDK52	M24	238	SNS3152-H-D
NFR500/12,5	2	NTS60/220	361	355,5	NTC60/220	441	395	NDK60	M30	317	SNS3160-H-D
NFR360/12	4	NTS48 ²⁾	301 ³⁾	295,5 ⁴⁾	NTC48	380	335	NDK48	M20	148	SNS3048-H-D
NFR360/12	4	NTS48 ²⁾	301 ³⁾	295,5 ⁴⁾	NTC48	380	335	NDK48	M20	148	SNS3048-H-D
NFR400/10	2	NTS48 ²⁾	321 ³⁾	315,5 ⁴⁾	NTC48	400	355	NDK48	M24	184	SNS3148-H-D
NFR400/10	2	NTS48 ²⁾	321 ³⁾	315,5 ⁴⁾	NTC48	400	355	NDK48	M24	184	SNS3148-H-D
NFR440/10	2	NTS52/220	331	325,5	NTC52/220	410	365	NDK52	M24	235	SNS3248-H-D
NFR480/25,5	2	NTS64/240	361	355,5	NTC64/240	440	395	NDK64	M30	332	SNS3064-H-D
NFR540/15,5	2	NTS64/240	381	375,5	NTC64/240	460	415	NDK64	M30	368	SNS3164-H-D
NFR400/22	2	NTS52 ²⁾	321 ³⁾	315,5 ⁴⁾	NTC52	401	355	NDK52	M24	180	SNS3052-H-D
NFR400/22	2	NTS52 ²⁾	321 ³⁾	315,5 ⁴⁾	NTC52	401	355	NDK52	M24	180	SNS3052-H-D
NFR440/10	2	NTS52 ²⁾	331 ³⁾	325,5 ⁴⁾	NTC52	410	365	NDK52	M24	238	SNS3152-H-D
NFR440/10	2	NTS52 ²⁾	331 ³⁾	325,5 ⁴⁾	NTC52	410	365	NDK52	M24	238	SNS3152-H-D
NFR480/10	2	NTS64/240	361	355,5	NTC64/240	440	395	NDK64	M30	331	SNS3252-H-D

Plummer block housings

SNS, split
For spherical roller bearings with tapered bore and adapter sleeve
Metric shaft

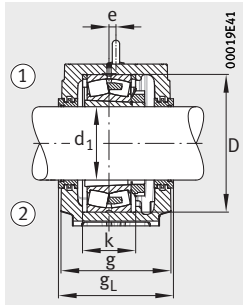


Dimension table (continued) - Dimensions in mm

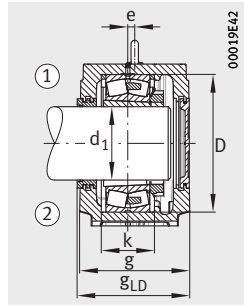
Shaft d_1	Housing Dimensions														Spherical roller bearing and accessories	
	h	h_1	g	b	c	a	m	n	v	u	s	D	k	e	Bearing	Adapter sleeve
260	300	591	350	310	110	830	710	190	50	42	M36	500	180	22	22256..-K	H3156X(-HG)
260	340	675	400	360	120	950	810	220	50	42	M36	580	210	24	22356..-K	H2356X(-HG)
260	260	516	320	280	100	770	650	160	50	42	M36	420	166	13	23056..-K	H3056(-HG)
260	260	516	320	280	100	770	650	160	50	42	M36	420	166	13	230SM260-MA ¹⁾	–
260	280	550	320	280	105	790	670	160	50	42	M36	460	166	16	23156..-K	H3156X(-HG)
260	280	550	320	280	105	790	670	160	50	42	M36	460	166	16	231SM260-MA	–
260	300	591	350	310	110	830	710	190	50	42	M36	500	196	22	23256..-K	H2356X(-HG)
260	300	591	350	310	110	830	710	190	50	42	M36	500	196	22	232SM260-MA ¹⁾	–
280	320	631	370	330	115	880	750	200	50	42	M36	540	196	23	22260..-K	H3160(-HG)
280	280	550	320	280	105	790	670	160	50	42	M36	460	168	16	23060..-K	H3060(-HG)
280	280	550	320	280	105	790	670	160	50	42	M36	460	168	16	230SM280-MA ¹⁾	–
280	300	591	350	310	110	830	710	190	50	42	M36	500	180	22	23160..-K	H3160(-HG)
280	300	591	350	310	110	830	710	190	50	42	M36	500	180	22	231SM280-MA ¹⁾	–
280	320	631	370	330	115	880	750	200	50	42	M36	540	212	23	23260..-K	H3260(-HG)
300	340	675	400	360	120	950	810	220	50	42	M36	580	190	24	22264..-K	H3164-HG
300	300	591	350	310	110	830	710	190	50	42	M36	480	181	22	23064..-K	H3064-HG
300	300	591	350	310	110	830	710	190	50	42	M36	480	181	22	230SM300-MA ¹⁾	–
300	320	631	370	330	115	880	750	200	50	42	M36	540	196	23	23164..-K	H3164-HG
300	320	631	370	330	115	880	750	200	50	42	M36	540	196	23	231SM300-MA ¹⁾	–
300	340	675	400	360	120	950	810	220	50	42	M36	580	228	24	23264..-K	H3264-HG
300	340	675	400	360	120	950	810	220	50	42	M36	580	228	24	232SM300-MA ¹⁾	–
320	320	631	370	330	115	880	750	200	50	42	M36	520	197	23	23068..-K	H3068-HG
320	320	631	370	330	115	880	750	200	50	42	M36	520	197	23	230SM320-MA ¹⁾	–
320	340	675	400	360	120	950	810	220	50	42	M36	580	210	24	23168..-K	H3168-HG
320	340	675	400	360	120	950	810	220	50	42	M36	580	210	24	231SM320-MA	–
320	360	715	400	360	120	1040	870	220	50	42	M36	620	244	30	23268..-K	H3268-HG

① Locating bearing. ② Non-locating bearing.

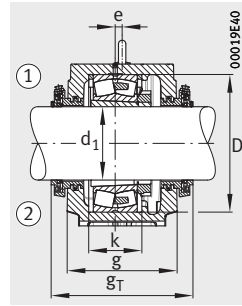
¹⁾ Split bearing in associated housing has restricted usability. Please ask for further information.



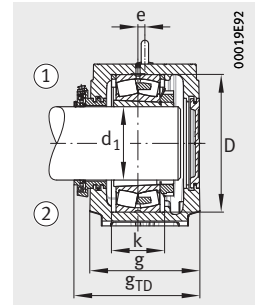
Labyrinth seal NTS



Labyrinth seal NTS
Cover NDK



Taconite seal NTC

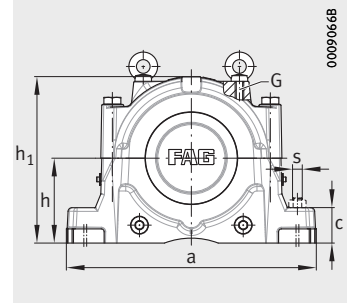
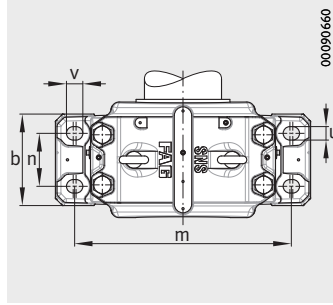


Taconite seal NTC
Cover NDK

									Housing		
Locating ring		Labyrinth seal			Taconite seal			Cover	G	Mass m ≈ kg	Designation
	Quantity		g _L mm	g _{LD} mm		g _T mm	g _{TD} mm				
NFR500/25	2	NTS60/260	361	355,5	NTC60/260	440	395	NDK60	M30	317	SNS3160-H-D
NFR580/17,5	2	NTS68/260	411	405,5	NTC68/260	490	445	NDK68	M30	461	SNS3168-H-D
NFR420/10	6	NTS56	331	325,5	NTC56	411	365	NDK56	M24	249	SNS3056-H-D
NFR420/10	6	NTS56	331	325,5	NTC56	411	365	NDK56	M24	249	SNS3056-H-D
NFR460/10	2	NTS56	331	325,5	NTC56	410	365	NDK56	M24	264	SNS3156-H-D
NFR460/10	2	NTS56	331	325,5	NTC56	410	365	NDK56	M24	264	SNS3156-H-D
NFR500/10	2	NTS60/260	361	355,5	NTC60/260	441	395	NDK60	M30	314	SNS3256-H-D
NFR500/10	2	NTS60/260	361	355,5	NTC60/260	441	395	NDK60	M30	314	SNS3256-H-D
NFR540/28	2	NTS64/280	381	375,5	NTC64/280	460	415	NDK64	M30	368	SNS3164-H-D
NFR460/25	2	NTS60	331	325,5	NTC60	411	365	NDK60	M24	260	SNS3060-H-D
NFR460/25	2	NTS60	331	325,5	NTC60	411	365	NDK60	M24	260	SNS3060-H-D
NFR500/10	2	NTS60	361	355,5	NTC60	440	395	NDK60	M30	317	SNS3160-H-D
NFR500/10	2	NTS60	361	355,5	NTC60	440	395	NDK60	M30	317	SNS3160-H-D
NFR540/10	2	NTS64/280	381	375,5	NTC64/280	461	415	NDK64	M30	364	SNS3260-H-D
NFR580/20	2	NTS68/300	411	405,5	NTC68/300	490	445	NDK68	M30	466	SNS2264-H-D
NFR480/10	6	NTS64	361	355,5	NTC64	441	395	NDK64	M30	332	SNS3064-H-D
NFR480/10	6	NTS64	361	355,5	NTC64	441	395	NDK64	M30	332	SNS3064-H-D
NFR540/10	2	NTS64	381	375,5	NTC64	460	415	NDK64	M30	368	SNS3164-H-D
NFR540/10	2	NTS64	381	375,5	NTC64	460	415	NDK64	M30	368	SNS3164-H-D
NFR580/10	2	NTS68/300	411	405,5	NTC68/300	491	445	NDK68	M30	457	SNS3264-H-D
NFR580/10	2	NTS68/300	411	405,5	NTC68/300	491	445	NDK68	M30	457	SNS3264-H-D
NFR520/16	4	NTS68	381	375,5	NTC68	461	415	NDK68	M30	386	SNS3068-H-D
NFR520/16	4	NTS68	381	375,5	NTC68	461	415	NDK68	M30	386	SNS3068-H-D
NFR580/10	2	NTS68	411	405,5	NTC68	490	445	NDK68	M30	461	SNS3168-H-D
NFR580/10	2	NTS68	411	405,5	NTC68	490	445	NDK68	M30	461	SNS3168-H-D
NFR620/10	2	NTS76/320	411	405,5	NTC76/320	490	445	NDK76	M36	530	SNS3268-H-D

Plummer block housings

SNS, split
For spherical roller bearings with tapered bore and adapter sleeve
Metric shaft

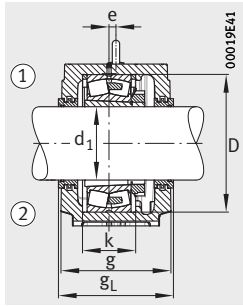


Dimension table (continued) · Dimensions in mm

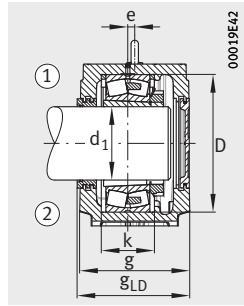
Shaft d_1	Housing Dimensions														Spherical roller bearing and accessories	
	h	h_1	g	b	c	a	m	n	v	u	s	D	k	e	Bearing	Adapter sleeve
340	380	755	430	390	125	1 120	950	240	60	48	M42	650	220	30	22272..-K	H3172-HG
340	320	631	370	330	115	880	750	200	50	42	M36	540	198	23	23072..-K	H3072-HG
340	320	631	370	330	115	880	750	200	50	42	M36	540	198	23	230SM340-MA¹⁾	–
340	350	695	400	360	120	1 000	840	220	50	42	M36	600	212	30	23172..-K	H3172-HG
340	350	695	400	360	120	1 000	840	220	50	42	M36	600	212	30	231SM340-MA¹⁾	–
340	380	755	430	390	125	1 120	950	240	60	48	M42	650	252	30	23272..-K	H3272-HG
340	380	755	430	390	125	1 120	950	240	60	48	M42	650	252	30	232SM340-MA¹⁾	–
360	340	675	400	360	120	950	810	220	50	42	M36	560	180	24	23076..-K	H3076-HG
360	340	675	400	360	120	950	810	220	50	42	M36	560	180	24	230SM360-MA	–
360	360	715	400	360	120	1 040	870	220	50	42	M36	620	214	30	23176..-K	H3176-HG
360	360	715	400	360	120	1 040	870	220	50	42	M36	620	214	30	231SM360-MA¹⁾	–
360	410	810	460	420	130	1 170	1 000	260	60	48	M42	680	260	35	23276..-K	H3276-HG
380	350	695	400	360	120	1 000	840	220	50	42	M36	600	192	30	23080..-K	H3080-HG
380	350	695	400	360	120	1 000	840	220	50	42	M36	600	192	30	230SM380-MA¹⁾	–
380	380	755	430	390	125	1 120	950	240	60	48	M42	650	220	30	23180..-K	H3180-HG
380	380	755	430	390	125	1 120	950	240	60	48	M42	650	220	30	231SM380-MA¹⁾	–
380	420	835	460	430	135	1 220	1 030	260	60	48	M42	720	276	35	23280..-K	H3280-HG
400	360	715	400	360	120	1 040	870	220	50	42	M36	620	194	30	23084..-K	H3084X-HG
400	360	715	400	360	120	1 040	870	220	50	42	M36	620	194	30	230SM400-MA¹⁾	–
400	410	810	460	420	130	1 170	1 000	260	60	48	M42	700	244	35	23184..-K	H3184-HG
400	410	810	460	420	130	1 170	1 000	260	60	48	M42	700	244	35	231SM400-MA	–
400	440	880	470	440	145	1 280	1 070	260	60	48	M42	760	292	35	23284..-K	H3284-HG

① Locating bearing, ② Non-locating bearing.

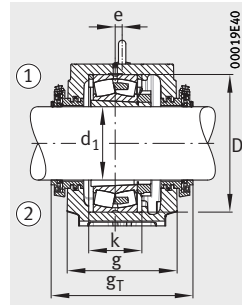
¹⁾ Split bearing in associated housing has restricted usability.
Please ask for further information.



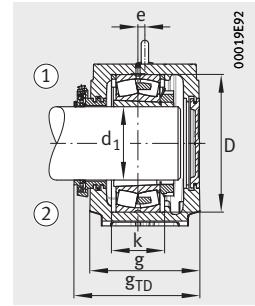
Labyrinth seal NTS



Labyrinth seal NTS
Cover NDK



Taconite seal NTC



Taconite seal NTC
Cover NDK

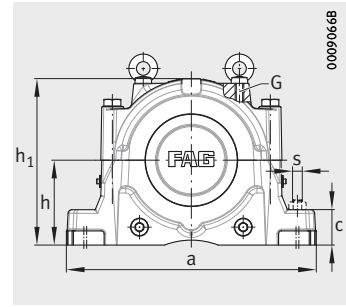
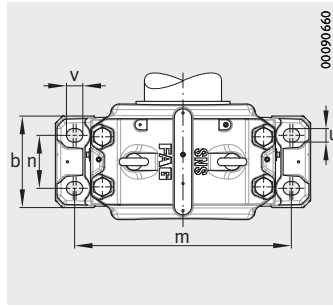
									Housing		
Locating ring		Labyrinth seal			Taconite seal			Cover	G	Mass m ≈ kg	Designation
	Quantity		g _L mm	g _{LD} mm		g _T mm	g _{TD} mm				
NFR650/25	2	NTS80/340	441	435,5	NTC80/340	520	475	NDK80	M42	681	SNS3180-H-D
NFR540/16	4	NTS72	381	375,5	NTC72	461	415	NDK72	M30	356	SNS3072-H-D
NFR540/16	4	NTS72	381	375,5	NTC72	461	415	NDK72	M30	356	SNS3072-H-D
NFR600/10	2	NTS72	411	405,5	NTC72	490	445	NDK72	M36	498	SNS3172-H-D
NFR600/10	2	NTS72	411	405,5	NTC72	490	445	NDK72	M36	498	SNS3172-H-D
NFR650/10	2	NTS80/340	441	435,5	NTC80/340	520	475	NDK80	M42	675	SNS3272-H-D
NFR650/10	2	NTS80/340	441	435,5	NTC80/340	520	475	NDK80	M42	675	SNS3272-H-D
NFR560/22,5	2	NTS76	411	405,5	NTC76	491	445	NDK76	M30	481	SNS3076-H-D
NFR560/22,5	2	NTS76	411	405,5	NTC76	491	445	NDK76	M30	481	SNS3076-H-D
NFR620/10	2	NTS76	411	405,5	NTC76	490	445	NDK76	M36	534	SNS3176-H-D
NFR620/10	2	NTS76	411	405,5	NTC76	490	445	NDK76	M36	534	SNS3176-H-D
NFR680/10	2	NTS92/360	471	465,5	NTC92/360	550	505	NDK92	M42	841	SNS3276-H-D
NFR600/22	2	NTS80	411	405,5	NTC80	491	445	NDK80	M36	489	SNS3080-H-D
NFR600/22	2	NTS80	411	405,5	NTC80	491	445	NDK80	M36	489	SNS3080-H-D
NFR650/10	2	NTS80	441	435,5	NTC80	520	475	NDK80	M42	681	SNS3180-H-D
NFR650/10	2	NTS80	441	435,5	NTC80	520	475	NDK80	M42	681	SNS3180-H-D
NFR720/10	2	NTS88/380	471	465,5	NTC88/380	550	505	NDK88	M42	895	SNS3280-H-D
NFR620/22	2	NTS84	411	405,5	NTC84	491	445	NDK84	M36	527	SNS3084-H-D
NFR620/22	2	NTS84	411	405,5	NTC84	491	445	NDK84	M36	527	SNS3084-H-D
NFR700/10	2	NTS84	471	465,5	NTC84	550	505	NDK84	M42	821	SNS3184-H-D
NFR700/10	2	NTS84	471	465,5	NTC84	550	505	NDK84	M42	821	SNS3184-H-D
NFR760/10	2	NTS92/400	481	475,5	NTC92/400	560	515	NDK92	M48	984	SNS3284-H-D

Plummer block housings

SNS, split

For spherical roller bearings with tapered bore and adapter sleeve

Metric shaft

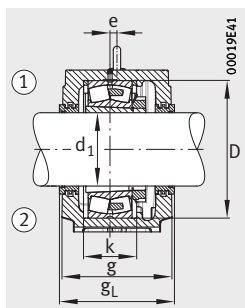


Dimension table (continued) - Dimensions in mm

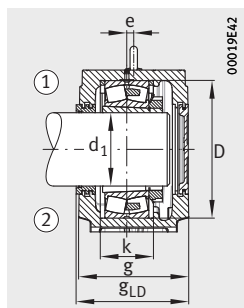
Shaft d_1	Housing Dimensions														Spherical roller bearing and accessories	
	h	h_1	g	b	c	a	m	n	v	u	s	D	k	e	Bearing	Adapter sleeve
410	380	755	430	390	125	1 120	950	240	60	48	M42	650	200	30	23088..-K	H3088-HG
410	380	755	430	390	125	1 120	950	240	60	48	M42	650	200	30	2305M410-MA	-
410	420	835	460	430	135	1 220	1 030	260	60	48	M42	720	246	35	23188..-K	H3188-HG
410	420	835	460	430	135	1 220	1 030	260	60	48	M42	720	246	35	2315M410-MA¹⁾	-
410	460	920	470	440	155	1 330	1 110	260	70	56	M48	790	300	35	23288..-K	H3288-HG
430	410	810	460	420	130	1 170	1 000	260	60	48	M42	680	224	35	23092..-K	H3092-HG
430	440	880	470	440	145	1 280	1 070	260	60	48	M42	760	260	35	23192..-K	H3192-HG
450	410	810	460	420	130	1 170	1 000	260	60	48	M42	700	224	35	23096..-K	H3096-HG
450	460	920	470	440	155	1 330	1 110	260	70	56	M48	790	268	35	23196..-K	H3196-HG
470	420	835	460	430	135	1 220	1 030	260	60	48	M42	720	226	35	230/500..-K	H30/500-HG
500	460	920	470	440	155	1 330	1 110	260	70	56	M48	780	248	35	230/530..-K	H30/530-HG

① Locating bearing. ② Non-locating bearing.

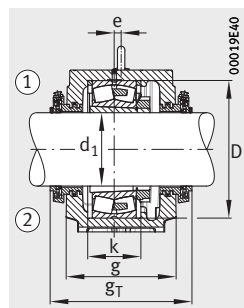
¹⁾ Split bearing in associated housing has restricted usability. Please ask for further information.



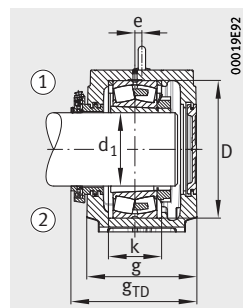
Labyrinth seal NTS



Labyrinth seal NTS
Cover NDK



Taconite seal NTC

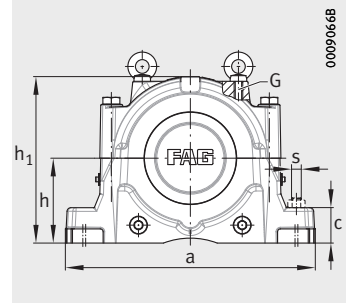
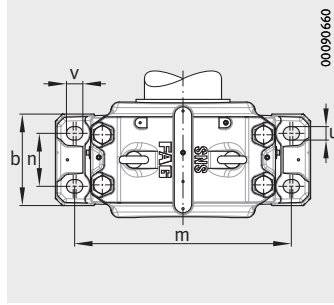


Taconite seal NTC
Cover NDK

									Housing		
Locating ring		Labyrinth seal			Taconite seal			Cover	G	Mass m ≈ kg	Designation
	Quantity		gL mm	gLD mm		gT mm	gTD mm				
NFR650/21,5	2	NTS88	441	435,5	NTC88	521	475	NDK88	M42	672	SNS3088-H-D
NFR650/21,5	2	NTS88	441	435,5	NTC88	521	475	NDK88	M42	672	SNS3088-H-D
NFR720/10	2	NTS88	471	465,5	NTC88	550	505	NDK88	M42	895	SNS3188-H-D
NFR720/10	2	NTS88	471	465,5	NTC88	550	505	NDK88	M42	895	SNS3188-H-D
NFR790/10	2	NTS96/410	481	475,5	NTC96/410	560	515	NDK96	M48	1 100	SNS3288-H-D
NFR680/30,5	2	NTS92	471	465,5	NTC92	551	505	NDK92	M42	849	SNS3092-H-D
NFR760/10	2	NTS92	481	475,5	NTC92	560	515	NDK92	M48	993	SNS3192-H-D
NFR700/29,5	2	NTS96	471	465,5	NTC96	551	505	NDK96	M42	806	SNS3096-H-D
NFR790/10	2	NTS96	481	475,5	NTC96	560	515	NDK96	M48	1 100	SNS3196-H-D
NFR720/29,5	2	NTS500	471	465,5	NTC500	551	505	NDK500	M42	895	SNS30/500-H-D
NFR780/31,5	2	NTS530	481	475,5	NTC530	561	515	NDK530	M48	1 100	SNS30/530-H-D

Plummer block housings

SNS, split
For spherical roller bearings with cylindrical bore
Metric shaft



Dimension table · Dimensions in mm

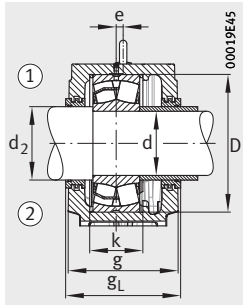
Shaft		Housing Dimensions														Spherical roller bearing and accessories
d	d ₂	h	h ₁	g	b	c	a	m	n	v	u	s	D	k	e	Bearing
130	150	170	333	230	180	70	510	430	100	34	28	M24	280	108	14	22326
140	160	180	353	240	190	75	530	450	110	34	28	M24	300	116	15	22328
150	170	190	375	260	210	80	560	480	120	34	28	M24	320	124	10	22330
160	180	180	353	240	190	75	530	450	110	34	28	M24	290	115	15	22232
160	180	210	411	280	230	85	610	510	130	42	35	M30	340	132	10	22332
160	180	180	353	240	190	75	530	450	110	34	28	M24	290	115	15	23232
170	190	190	375	260	210	80	560	480	120	34	28	M24	310	122	10	22234
170	190	220	434	290	240	90	640	540	140	42	35	M30	360	140	12	22334
170	180	170	333	230	180	70	510	430	100	34	28	M24	280	108	14	23134
170	190	190	375	260	210	80	560	480	120	34	28	M24	310	122	10	23234
180	200	190	375	260	210	80	560	480	120	34	28	M24	320	124	10	22236
180	200	170	333	230	180	70	510	430	100	34	28	M24	280	108	14	23036
180	200	180	353	240	190	75	530	450	110	34	28	M24	300	116	15	23136
180	200	190	375	260	210	80	560	480	120	34	28	M24	320	124	10	23236
180	200	170	333	230	180	70	510	430	100	34	28	M24	280	108	14	24036
190	210	210	411	280	230	85	610	510	130	42	35	M30	340	132	10	22238
190	210	240	474	310	260	95	700	600	150	42	35	M30	400	148	12	22338
190	200	180	353	240	190	75	530	450	110	34	28	M24	290	115	15	23038
190	200	190	375	260	210	80	560	480	120	34	28	M24	320	124	10	23138
190	210	210	411	280	230	85	610	510	130	42	35	M30	340	132	10	23238
190	200	180	353	240	190	75	530	450	110	34	28	M24	290	115	15	24038
200	220	220	434	290	240	90	640	540	140	42	35	M30	360	140	12	22240
200	220	190	375	260	210	80	560	480	120	34	28	M24	310	122	10	23040
200	220	210	411	280	230	85	610	510	130	42	35	M30	340	132	10	23140
200	220	220	434	290	240	90	640	540	140	42	35	M30	360	140	12	23240
200	220	190	375	260	210	80	560	480	120	34	28	M24	310	122	10	24040

① Locating bearing. ② Non-locating bearing.

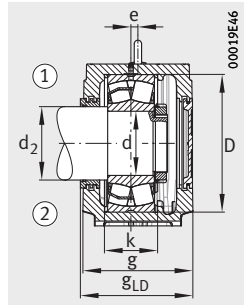
1) Alternatively also available with split labyrinth seal NTSG.

2) With NTSG: width g_L increased by 16 mm.

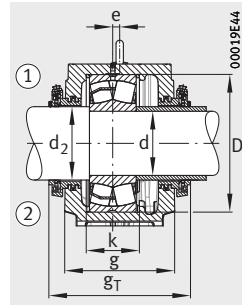
3) With NTSG: width g_{LD} increased by 8 mm.



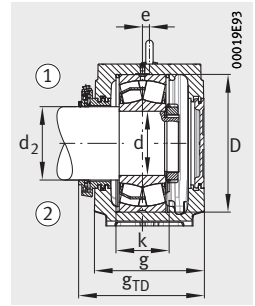
Labyrinth seal NTS



Labyrinth seal NTS
Cover NDK



Taconite seal NTC



Taconite seal NTC
Cover NDK

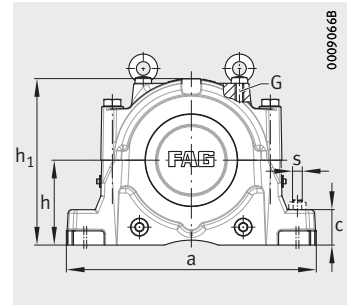
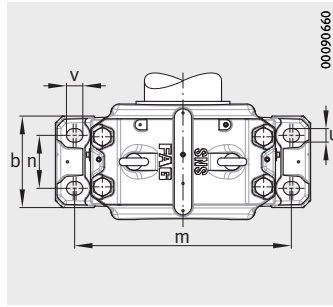
									Housing		
Locating ring		Labyrinth seal			Taconite seal			Cover	G	Mass m ≈ kg	Designation
	Quantity		g _L mm	g _{LD} mm		g _T mm	g _{TD} mm				
NFR280/7,5	2	NTS34 ¹⁾	241 ²⁾	235,5 ³⁾	NTC34	299	264,5	NDK34	M16	75	SNS3134-H-D
NFR300/7	2	NTS36 ¹⁾	251 ²⁾	245,5 ³⁾	NTC36	314	277	NDK36	M16	83	SNS3136-H-D
NFR320/8	2	NTS38 ¹⁾	271 ²⁾	265,5 ³⁾	NTC38	334	297	NDK38	M20	102	SNS3138-H-D
NFR290/17,5	2	NTS38/180	251	245,5	NTC38/180	314	277	NDK38	M16	86	SNS3038-H-D
NFR340/9	2	NTS40 ¹⁾	291 ²⁾	285,5 ³⁾	NTC40	354	317	NDK40	M20	133	SNS3140-H-D
NFR290/5,5	2	NTS38/180	251	245,5	NTC38/180	314	277	NDK38	M16	86	SNS3038-H-D
NFR310/18	2	NTS40/190	271	265,5	NTC40/190	334	297	NDK40	M20	105	SNS3040-H-D
NFR360/10	2	NTS48/190	301	295,5	NTC48/190	380	335	NDK48	M20	148	SNS3048-H-D
NFR280/10	2	NTS40 ¹⁾	241 ²⁾	235,5 ³⁾	NTC40	298	264	NDK40	M16	71	SNS3134-Z-D
NFR310/6	2	NTS40/190	271	265,5	NTC40/190	326	293	NDK40	M20	105	SNS3234-Z-D
NFR320/19	2	NTS44 ¹⁾	271 ²⁾	265,5 ³⁾	NTC44	350	305	NDK44	M20	97	SNS3138-Z-D
NFR280/17	2	NTS44 ¹⁾	241 ²⁾	235,5 ³⁾	NTC44	320	275	NDK44	M16	67	SNS3036-Z-D
NFR300/10	2	NTS44 ¹⁾	251 ²⁾	245,5 ³⁾	NTC44	330	285	NDK44	M16	77	SNS3136-Z-D
NFR320/6	2	NTS44 ¹⁾	271 ²⁾	265,5 ³⁾	NTC44	350	305	NDK44	M20	97	SNS3236-Z-D
NFR280/4	2	NTS44 ¹⁾	241 ²⁾	235,5 ³⁾	NTC44	320	275	NDK44	M16	67	SNS3036-Z-D
NFR340/10	4	NTS48/210	291	285,5	NTC48/210	372	302,5	NDK48	M20	125	SNS3140-Z-D
NFR400/8	2	NTS48/210	321	315,5	NTC48/210	402	329,5	NDK48	M24	184	SNS3148-H-D
NFR290/10	4	NTS44 ¹⁾	251 ²⁾	245,5 ³⁾	NTC44	330	285	NDK44	M16	81	SNS3038-Z-D
NFR320/10	2	NTS44 ¹⁾	271 ²⁾	265,5 ³⁾	NTC44	350	305	NDK44	M20	97	SNS3138-Z-D
NFR340/6	2	NTS48/210	291	285,5	NTC48/210	372	302,5	NDK48	M20	125	SNS3238-Z-D
NFR290/7,5	2	NTS44 ¹⁾	251 ²⁾	245,5 ³⁾	NTC44	330	285	NDK44	M16	81	SNS3038-Z-D
NFR360/21	2	NTS48 ¹⁾	301 ²⁾	295,5 ³⁾	NTC48	380	335	NDK48	M20	148	SNS3048-H-D
NFR310/10	4	NTS48 ¹⁾	271 ²⁾	265,5 ³⁾	NTC48	350	305	NDK48	M20	97	SNS3040-Z-D
NFR340/10	2	NTS48 ¹⁾	291 ²⁾	285,5 ³⁾	NTC48	372	302,5	NDK48	M20	125	SNS3140-Z-D
NFR360/6	2	NTS48 ¹⁾	301 ²⁾	295,5 ³⁾	NTC48	380	335	NDK48	M20	148	SNS3240-Z-D
NFR310/6,5	2	NTS48 ¹⁾	271 ²⁾	265,5 ³⁾	NTC48	350	305	NDK48	M20	97	SNS3040-Z-D

Plummer block housings

SNS, split

For spherical roller bearings with cylindrical bore

Metric shaft



Dimension table (continued) · Dimensions in mm

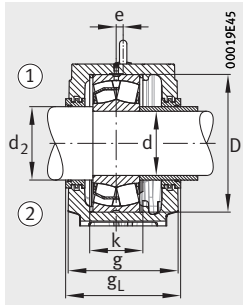
Shaft		Housing Dimensions											Spherical roller bearing and accessories			
d	d ₂	h	h ₁	g	b	c	a	m	n	v	u	s	D	k	e	Bearing
220	240	240	474	310	260	95	700	600	150	42	35	M30	400	148	12	22244
220	240	280	550	320	280	105	790	670	160	50	42	M36	460	166	16	22344
220	240	210	411	280	230	85	610	510	130	42	35	M30	340	130	10	23044
220	240	220	434	290	240	90	640	540	140	42	35	M30	370	140	12	23144
220	240	240	474	310	260	95	700	600	150	42	35	M30	400	164	12	23244
220	240	210	411	280	230	85	610	510	130	42	35	M30	340	130	10	24044
240	260	260	516	320	280	100	770	650	160	50	42	M36	440	164	13	22248
240	260	300	591	350	310	110	830	710	190	50	42	M36	500	180	22	22348
240	260	220	434	290	240	90	640	540	140	42	35	M30	360	140	12	23048
240	260	240	474	310	260	95	700	600	150	42	35	M30	400	148	12	23148
240	260	260	516	320	280	100	770	650	160	50	42	M36	440	180	13	23248
240	260	220	434	290	240	90	640	540	140	42	35	M30	360	140	12	24048
260	280	300	591	350	310	110	830	710	190	50	42	M36	480	181	22	22252
260	290	320	631	370	330	115	880	750	200	50	42	M36	540	196	23	22352
260	280	240	474	310	260	95	700	600	150	42	35	M30	400	148	12	23052
260	280	260	516	320	280	100	770	650	160	50	42	M36	440	164	13	23152
260	280	300	591	350	310	110	830	710	190	50	42	M36	480	194	22	23252
260	280	240	474	310	260	95	700	600	150	42	35	M30	400	148	12	24052
280	300	300	591	350	310	110	830	710	190	50	42	M36	500	180	22	22256
280	310	340	675	400	360	120	950	810	220	50	42	M36	580	210	24	22356
280	300	260	516	320	280	100	770	650	160	50	42	M36	420	166	13	23056
280	300	280	550	320	280	105	790	670	160	50	42	M36	460	166	16	23156
280	300	300	591	350	310	110	830	710	190	50	42	M36	500	196	22	23256
280	300	260	516	320	280	100	770	650	160	50	42	M36	420	166	13	24056

① Locating bearing. ② Non-locating bearing.

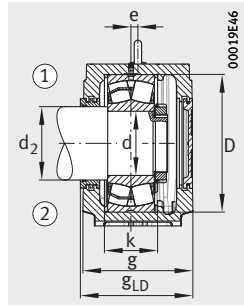
1) Alternatively also available with split labyrinth seal NTSG.

2) With NTSG: width g_L increased by 16 mm.

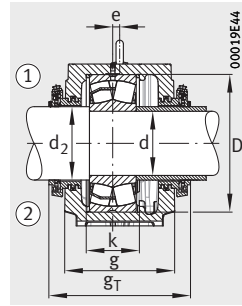
3) With NTSG: width g_D increased by 8 mm.



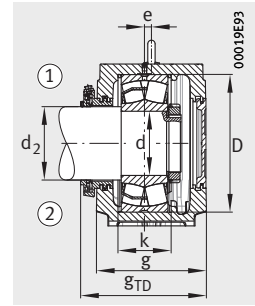
Labyrinth seal NTS



Labyrinth seal NTS
Cover NDK



Taconite seal NTC

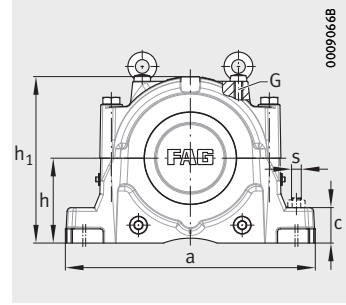
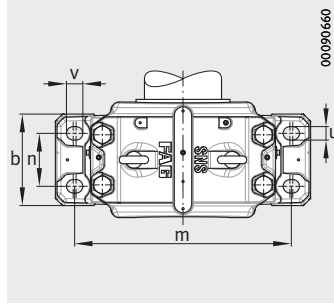


Taconite seal NTC
Cover NDK

									Housing		
Locating ring		Labyrinth seal			Taconite seal			Cover	G	Mass m ≈ kg	Designation
	Quantity		g _L mm	g _{LD} mm		g _T mm	g _{TD} mm				
NFR400/10	4	NTS56/240	321	315,5	NTC56/240	400	355	NDK56	M24	176	SNS3148-Z-D
NFR460/10,5	2	NTS56/240	331	325,5	NTC56/240	410	365	NDK56	M24	264	SNS3156-H-D
NFR340/10	4	NTS52 ¹⁾	291 ²⁾	285,5 ³⁾	NTC52	370	325	NDK52	M20	121	SNS3044-Z-D
NFR370/10	2	NTS52 ¹⁾	301 ²⁾	295,5 ³⁾	NTC52	380	335	NDK52	M20	138	SNS3144-Z-D
NFR400/10	2	NTS56/240	321	315,5	NTC56/240	400	355	NDK56	M24	174	SNS3244-Z-D
NFR340/6	2	NTS52 ¹⁾	291 ²⁾	285,5 ³⁾	NTC52	370	325	NDK52	M20	121	SNS3044-Z-D
NFR440/22	2	NTS60/260	331	325,5	NTC60/260	410	365	NDK60	M24	229	SNS3152-Z-D
NFR500/12,5	2	NTS60/260	361	355,5	NTC60/260	440	395	NDK60	M30	317	SNS3160-H-D
NFR360/12	4	NTS56	301	295,5	NTC56	380	335	NDK56	M20	140	SNS3048-Z-D
NFR400/10	2	NTS56	321	315,5	NTC56	400	355	NDK56	M24	176	SNS3148-Z-D
NFR440/10	2	NTS60/260	331	325,5	NTC60/260	410	365	NDK60	M24	226	SNS3248-Z-D
NFR360/11	2	NTS56	301	295,5	NTC56	380	335	NDK56	M20	140	SNS3048-Z-D
NFR480/25,5	2	NTS64/280	361	355,5	NTC64/280	440	395	NDK64	M30	332	SNS3064-H-D
NFR540/15,5	2	NTS64/290	381	375,5	NTC64/290	460	415	NDK64	M30	368	SNS3164-H-D
NFR400/22	2	NTS60	321	315,5	NTC60	400	355	NDK60	M24	171	SNS3052-Z-D
NFR440/10	2	NTS60	331	325,5	NTC60	410	365	NDK60	M24	229	SNS3152-Z-D
NFR480/10	2	NTS64/280	361	355,5	NTC64/280	440	395	NDK64	M30	331	SNS3252-Z-D
NFR400/4	2	NTS60	321	315,5	NTC60	400	355	NDK60	M24	171	SNS3052-Z-D
NFR500/25	2	NTS68/300	361	355,5	NTC68/300	440	395	NDK68	M30	307	SNS3160-Z-D
NFR580/17,5	2	NTS68/310	411	405,5	NTC68/310	490	445	NDK68	M30	461	SNS3168-H-D
NFR420/10	6	NTS64	331	325,5	NTC64	410	365	NDK64	M24	240	SNS3056-Z-D
NFR460/10	2	NTS64	331	325,5	NTC64	410	365	NDK64	M24	255	SNS3156-Z-D
NFR500/10	2	NTS68/300	361	355,5	NTC68/300	440	395	NDK68	300	591	SNS3256-Z-D
NFR420/13	2	NTS64	331	325,5	NTC64	410	365	NDK64	M24	240	SNS3056-Z-D

Plummer block housings

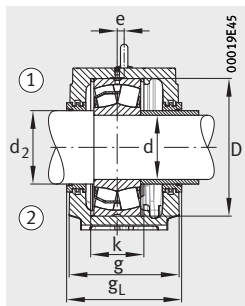
SNS, split
For spherical roller bearings with cylindrical bore
Metric shaft



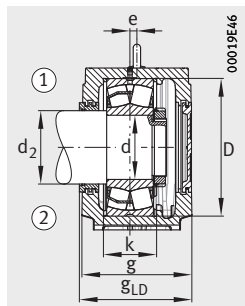
Dimension table (continued) - Dimensions in mm

Shaft		Housing Dimensions													Spherical roller bearing and accessories	
d	d ₂	h	h ₁	g	b	c	a	m	n	v	u	s	D	k	e	Bearing
300	320	320	631	370	330	115	880	750	200	50	42	M36	540	196	23	22260
300	320	280	550	320	280	105	790	670	160	50	42	M36	460	168	16	23060
300	320	300	591	350	310	110	830	710	190	50	42	M36	500	180	22	23160
300	320	320	631	370	330	115	880	750	200	50	42	M36	540	212	23	23260
300	320	280	550	320	280	105	790	670	160	50	42	M36	460	168	16	24060
320	340	340	675	400	360	120	950	810	220	50	42	M36	580	190	24	22264
320	340	300	591	350	310	110	830	710	190	50	42	M36	480	181	22	23064
320	340	320	631	370	330	115	880	750	200	50	42	M36	540	196	23	23164
320	340	340	675	400	360	120	950	810	220	50	42	M36	580	228	24	23264
320	340	300	591	350	310	110	830	710	190	50	42	M36	480	181	22	24064
340	360	320	631	370	330	115	880	750	200	50	42	M36	520	197	23	23068
340	360	340	675	400	360	120	950	810	220	50	42	M36	580	210	24	23168
340	370	360	715	400	360	120	1040	870	220	50	42	M36	620	244	30	23268
340	360	320	631	370	330	115	880	750	200	50	42	M36	520	197	23	24068
360	390	380	755	430	390	125	1120	950	240	60	48	M42	650	220	30	22272
360	380	320	631	370	330	115	880	750	200	50	42	M36	540	198	23	23072
360	380	350	695	400	360	120	1000	840	220	50	42	M36	600	212	30	23172
360	390	380	755	430	390	125	1120	950	240	60	48	M42	650	252	30	23272
360	380	320	631	370	330	115	880	750	200	50	42	M36	540	198	23	24072
380	400	340	675	400	360	120	950	810	220	50	42	M36	560	180	24	23076
380	400	360	715	400	360	120	1040	870	220	50	42	M36	620	214	30	23176
380	410	410	810	460	420	130	1170	1000	260	60	48	M42	680	260	35	23276
380	400	340	675	400	360	120	950	810	220	50	42	M36	560	200	24	24076

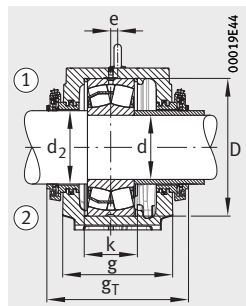
① Locating bearing. ② Non-locating bearing.



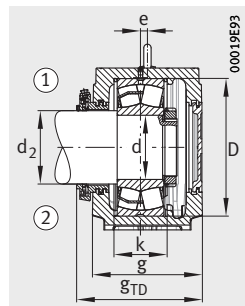
Labyrinth seal NTS



Labyrinth seal NTS
Cover NDK



Taconite seal NTC

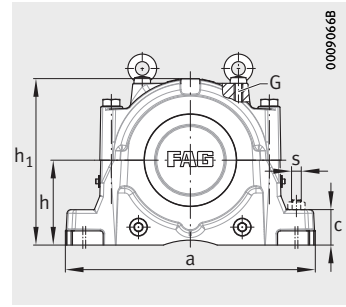
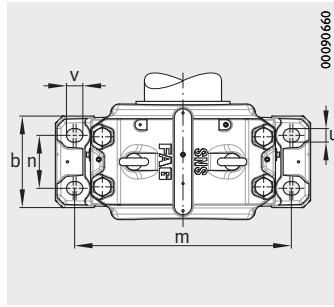


Taconite seal NTC
Cover NDK

									Housing		
Locating ring		Labyrinth seal			Taconite seal			Cover	G	Mass m ≈ kg	Designation
	Quantity		g _L mm	g _{LD} mm		g _T mm	g _{TD} mm				
NFR540/28	2	NTS72/320	381	375,5	NTC72/320	460	415	NDK72	M30	357	SNS3164-Z-D
NFR460/25	2	NTS68	331	325,5	NTC68	410	365	NDK68	M24	249	SNS3060-Z-D
NFR500/10	2	NTS68	361	355,5	NTC68	440	395	NDK68	M30	307	SNS3160-Z-D
NFR540/10	2	NTS72/320	381	375,5	NTC72/320	460	415	NDK72	M30	353	SNS3260-Z-D
NFR460/4	2	NTS68	331	325,5	NTC68	410	365	NDK68	M24	249	SNS3060-Z-D
NFR580/20	2	NTS76/340	411	405,5	NTC76/340	490	445	NDK76	M30	455	SNS2264-Z-D
NFR480/10	6	NTS72	361	355,5	NTC72	440	395	NDK72	M30	321	SNS3064-Z-D
NFR540/10	2	NTS72	381	375,5	NTC72	460	415	NDK72	M30	357	SNS3164-Z-D
NFR580/10	2	NTS76/340	411	405,5	NTC76/340	490	445	NDK76	M30	445	SNS3264-Z-D
NFR480/10,5	2	NTS72	361	355,5	NTC72	440	395	NDK72	M30	321	SNS3064-Z-D
NFR520/16	4	NTS76	381	375,5	NTC76	460	415	NDK76	M30	374	SNS3068-Z-D
NFR580/10	2	NTS76	411	405,5	NTC76	490	445	NDK76	M30	450	SNS3168-Z-D
NFR620/10	2	NTS76/370	411	405,5	NTC76/370	490	445	NDK76	M36	530	SNS3268-Z-D
NFR520/8,5	2	NTS76	381	375,5	NTC76	460	415	NDK76	M30	374	SNS3068-Z-D
NFR650/25	2	NTS80/390	441	435,5	NTC80/390	520	475	NDK80	M42	681	SNS3180-H-D
NFR540/16	4	NTS80	381	375,5	NTC80	460	415	NDK80	M30	344	SNS3072-Z-D
NFR600/10	2	NTS80	411	405,5	NTC80	490	445	NDK80	M36	486	SNS3172-Z-D
NFR650/10	2	NTS80/390	441	435,5	NTC80/390	520	475	NDK80	M42	675	SNS3272-Z-D
NFR540/9	2	NTS80	381	375,5	NTC80	460	415	NDK80	M30	344	SNS3072-Z-D
NFR560/22,5	2	NTS84	411	405,5	NTC84	490	445	NDK84	M30	467	SNS3076-Z-D
NFR620/10	2	NTS84	411	405,5	NTC84	490	445	NDK84	M36	521	SNS3176-Z-D
NFR680/10	2	NTS92/410	471	465,5	NTC92/410	550	505	NDK92	M42	841	SNS3276-Z-D
NFR560/10	2	NTS84	411	405,5	NTC84	475	438	NDK84	M30	465	SNS4076-Z-D

Plummer block housings

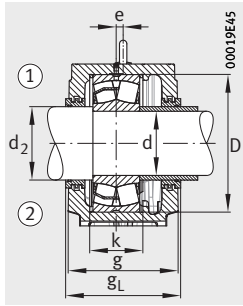
SNS, split
For spherical roller bearings with cylindrical bore
Metric shaft



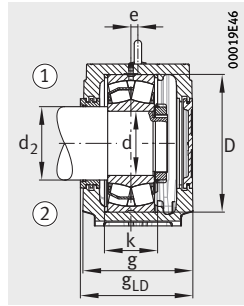
Dimension table (continued) · Dimensions in mm

Shaft		Housing Dimensions													Spherical roller bearing and accessories	
d	d ₂	h	h ₁	g	b	c	a	m	n	v	u	s	D	k	e	Bearing
400	430	350	695	400	360	120	1000	840	220	50	42	M36	600	192	30	23080
400	430	380	755	430	390	125	1120	950	240	60	48	M42	650	220	30	23180
400	430	420	835	460	430	135	1220	1030	260	60	48	M42	720	276	35	23280
400	430	350	695	400	360	120	1000	840	220	50	42	M36	600	220	30	24080
420	450	360	715	400	360	120	1040	870	220	50	42	M36	620	194	30	23084
420	450	410	810	460	420	130	1170	1000	260	60	48	M42	700	244	35	23184
420	460	440	880	470	440	145	1280	1070	260	60	48	M42	760	292	35	23284
420	450	360	715	400	360	120	1040	870	220	50	42	M36	620	220	30	24084
440	470	380	755	430	390	125	1120	950	240	60	48	M42	650	200	30	23088
440	470	420	835	460	430	135	1220	1030	260	60	48	M42	720	246	35	23188
440	480	460	920	470	440	155	1330	1110	260	70	56	M48	790	300	35	23288
440	470	380	755	430	390	125	1120	950	240	60	48	M42	650	232	30	24088
460	500	410	810	460	420	130	1170	1000	260	60	48	M42	680	224	35	23092
460	500	440	880	470	440	145	1280	1070	260	60	48	M42	760	260	35	23192
460	500	410	810	460	420	130	1170	1000	260	60	48	M42	680	238	35	24092
480	510	410	810	460	420	130	1170	1000	260	60	48	M42	700	224	35	23096
480	520	460	920	470	440	155	1330	1110	260	70	56	M48	790	268	35	23196
480	510	410	810	460	420	130	1170	1000	260	60	48	M42	700	238	35	24096
500	530	420	835	460	430	135	1220	1030	260	60	48	M42	720	226	35	230/500
500	530	420	835	460	430	135	1220	1030	260	60	48	M42	720	238	35	240/500
530	560	460	920	470	440	155	1330	1110	260	70	56	M48	780	248	35	230/530
530	560	460	920	470	440	155	1330	1110	260	70	56	M48	780	270	35	240/530

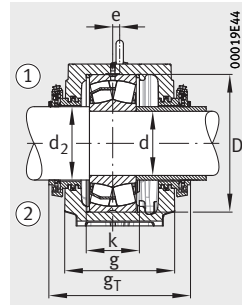
① Locating bearing. ② Non-locating bearing.



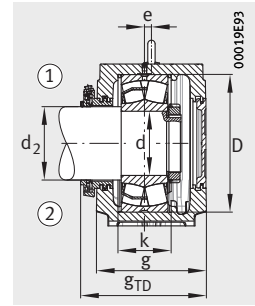
Labyrinth seal NTS



Labyrinth seal NTS
Cover NDK



Taconite seal NTC



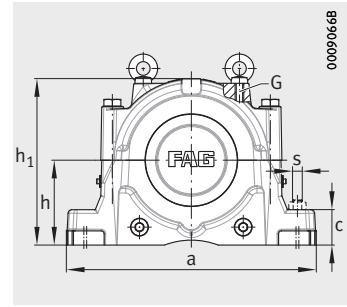
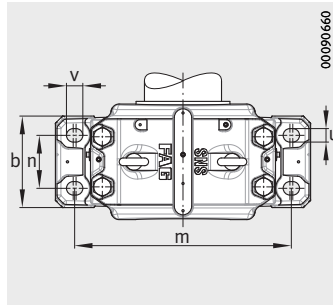
Taconite seal NTC
Cover NDK

									Housing		
Locating ring		Labyrinth seal			Taconite seal			Cover	G	Mass m ≈ kg	Designation
	Quantity		g _L mm	g _{LD} mm		g _T mm	g _{TD} mm				
NFR600/22	2	NTS92	411	405,5	NTC92	490	445	NDK92	M36	468	SNS3080-Z-D
NFR650/10	2	NTS92	441	435,5	NTC92	520	475	NDK92	M42	660	SNS3180-Z-D
NFR720/10	2	NTS500/430	471	465,5	NTC500/430	550	505	NDK500	M42	895	SNS3280-Z-D
NFR600/10	2	NTS92	411	405,5	NTC92	475	438	NDK92	M36	463	SNS4080-Z-D
NFR620/22	2	NTS96	411	405,5	NTC96	490	445	NDK96	M36	505	SNS3084-Z-D
NFR700/10	2	NTS96	471	465,5	NTC96	550	505	NDK96	M42	799	SNS3184-Z-D
NFR760/10	2	NTS530/460	481	475,5	NTC530/460	560	515	NDK530	M48	956	SNS3284-Z-D
NFR620/10	2	NTS96	411	405,5	NTC96	475	438	NDK96	M36	499	SNS4084-Z-D
NFR650/21,5	2	NTS500	441	435,5	NTC500	520	475	NDK500	M42	649	SNS3088-Z-D
NFR720/10	2	NTS500	471	465,5	NTC500	550	505	NDK500	M42	895	SNS3188-Z-D
NFR790/10	2	NTS560/480	481	475,5	NTC560/480	560	515	NDK560	M48	1 100	SNS3288-Z-D
NFR650/10	2	NTS500	441	435,5	NTC500	505	468	NDK500	M42	642	SNS4088-Z-D
NFR680/30,5	2	NTS530	471	465,5	NTC530	550	505	NDK530	M42	821	SNS3092-Z-D
NFR760/10	2	NTS530	481	475,5	NTC530	560	515	NDK530	M48	966	SNS3192-Z-D
NFR680/10	2	NTS530	471	465,5	NTC530	535	498	NDK530	M42	818	SNS4092-Z-D
NFR700/29,5	2	NTS530/510	471	465,5	NTC530/510	550	505	NDK530	M42	786	SNS3096-Z-D
NFR790/10	2	NTS560/520	481	475,5	NTC560/520	560	515	NDK560	M48	1 100	SNS3196-Z-D
NFR700/10	2	NTS530/510	471	465,5	NTC530/510	535	498	NDK530	M42	780	SNS4096-Z-D
NFR720/29,5	2	NTS560	471	465,5	NTC560	550	505	NDK560	M42	895	SNS30/500-Z-D
NFR720/10	2	NTS560	471	465,5	NTC560	535	498	NDK560	M42	895	SNS40/500-Z-D
NFR780/31,5	2	NTS600	481	475,5	NTC600	560	515	NDK600	M48	1 100	SNS30/530-Z-D
NFR780/10	2	NTS600	481	475,5	NTC600	545	508	NDK600	M48	1 100	SNS40/530-Z-D

Plummer block housings

SNS, split

For spherical roller bearings with tapered bore and adapter sleeve
Inch size shaft



Dimension table · Dimensions in mm

Shaft		Housing Dimensions													Spherical roller bearing and accessories	
		h	h ₁	g	b	c	a	m	n	v	u	s	D	k	e	Bearing
inch	mm															
4 ⁷ / ₁₆	112,713	170	333	230	180	70	510	430	100	34	28	M24	280	108	14	22326...-K
4 ¹ / ₂	114,300	170	333	230	180	70	510	430	100	34	28	M24	280	108	14	22326...-K
4 ¹⁵ / ₁₆	125,413	180	353	240	190	75	530	450	110	34	28	M24	300	116	15	22328...-K
5	127,000	180	353	240	190	75	530	450	110	34	28	M24	300	116	15	22328...-K
5 ³ / ₁₆	131,763	190	375	260	210	80	560	480	120	34	28	M24	320	124	10	22330...-K
5 ¹ / ₄	133,350	190	375	260	210	80	560	480	120	34	28	M24	320	124	10	22330...-K
5 ⁷ / ₁₆	138,113	180	353	240	190	75	530	450	110	34	28	M24	290	115	15	22232...-K
5 ⁷ / ₁₆	138,113	210	411	280	230	85	610	510	130	42	35	M30	340	132	10	22332...-K
5 ¹ / ₂	139,700	180	353	240	190	75	530	450	110	34	28	M24	290	115	15	22232...-K
5 ¹ / ₂	139,700	210	411	280	230	85	610	510	130	42	35	M30	340	132	10	22332...-K
5 ¹³ / ₁₆	147,638	190	375	260	210	80	560	480	120	34	28	M24	310	122	10	22234...-K
5 ¹³ / ₁₆	147,638	220	434	290	240	90	640	540	140	42	35	M30	360	140	12	22334...-K
5 ¹³ / ₁₆	147,638	190	375	260	210	80	560	480	120	34	28	M24	310	122	10	23234...-K
5 ⁷ / ₈	149,225	190	375	260	210	80	560	480	120	34	28	M24	310	122	10	22234...-K
5 ⁷ / ₈	149,225	220	434	290	240	90	640	540	140	42	35	M30	360	140	12	22334...-K
5 ⁷ / ₈	149,225	190	375	260	210	80	560	480	120	34	28	M24	310	122	10	23234...-K
5 ¹⁵ / ₁₆	150,813	190	375	260	210	80	560	480	120	34	28	M24	310	122	10	22234...-K
5 ¹⁵ / ₁₆	150,813	220	434	290	240	90	640	540	140	42	35	M30	360	140	12	22334...-K
5 ¹⁵ / ₁₆	150,813	170	333	230	180	70	510	430	100	34	28	M24	280	108	14	23134...-K
5 ¹⁵ / ₁₆	150,813	170	333	230	180	70	510	430	100	34	28	M24	280	108	14	2315.515 ¹⁾
5 ¹⁵ / ₁₆	150,813	190	375	260	210	80	560	480	120	34	28	M24	310	122	10	23234...-K
6	152,400	190	375	260	210	80	560	480	120	34	28	M24	310	122	10	22234...-K
6	152,400	220	434	290	240	90	640	540	140	42	35	M30	360	140	12	22334...-K
6	152,400	170	333	230	180	70	510	430	100	34	28	M24	280	108	14	23134...-K
6	152,400	190	375	260	210	80	560	480	120	34	28	M24	310	122	10	23234...-K

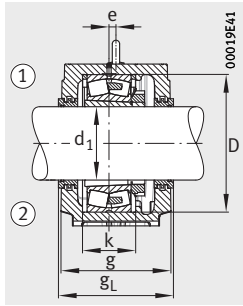
① Locating bearing. ② Non-locating bearing.

1) Split bearing in associated housing has restricted usability. Please ask for further information.

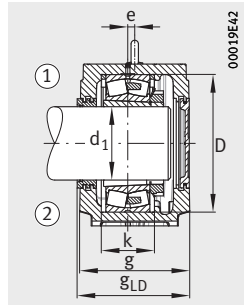
2) Alternatively also available with split labyrinth seal NTSG.

3) With NTSG: width g_L increased by 16 mm.

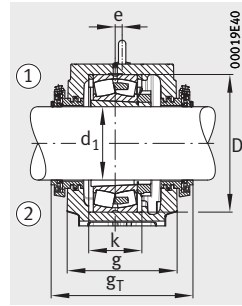
4) With NTSG: width g_{LD} increased by 8 mm.



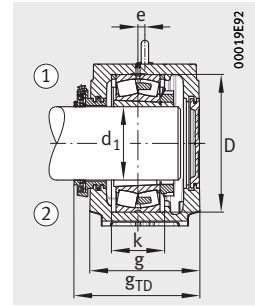
Labyrinth seal NTS



Labyrinth seal NTS
Cover NDK



Taconite seal NTC



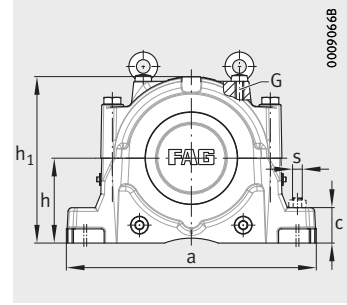
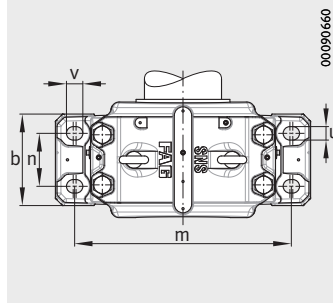
Taconite seal NTC
Cover NDK

										Housing		
Adapter sleeve	Locating ring		Labyrinth seal			Taconite seal			Cover	G	Mass m ≈ kg	Designation
		Quantity		gL mm	gLD mm		gT mm	gTD mm				
H2326X407	NFR280/7,5	2	NTS34X407	241	235,5	NTC34X407	299	264	NDK34	M16	75	SNS3134-H-D
H2326X408	NFR280/7,5	2	NTS34X408	241	235,5	NTC34X408	299	264	NDK34	M16	75	SNS3134-H-D
H2328X415	NFR300/7	2	NTS36X415	251	245,5	NTC36X415	310	274,5	NDK36	M16	83	SNS3136-H-D
H2328X500	NFR300/7	2	NTS36X500	251	245,5	NTC36X500	310	274,5	NDK36	M16	83	SNS3136-H-D
H2330X503	NFR320/8	2	NTS38X503	271	265,5	NTC38X503	330	294,5	NDK38	M20	102	SNS3138-H-D
H2330X504	NFR320/8	2	NTS38X504	271	265,5	NTC38X504	330	294,5	NDK38	M20	102	SNS3138-H-D
H3132X507	NFR290/17,5	2	NTS38X507	251	245,5	NTC38X507	312	275,5	NDK38	M16	86	SNS3038-H-D
H2332X507	NFR340/9	2	NTS40X507	291	285,5	NTC40X507	347	313	NDK40	M20	133	SNS3140-H-D
H3132X508	NFR290/17,5	2	NTS38X508	251	245,5	NTC38X508	312	275,5	NDK38	M16	86	SNS3038-H-D
H2332X508	NFR340/9	2	NTS40X508	291	285,5	NTC40X508	347	313	NDK40	M20	133	SNS3140-H-D
H3134(-HG)X513	NFR310/18	2	NTS40X513	271	265,5	NTC40X513	327	293	NDK40	M20	105	SNS3040-H-D
H2334(-HG)X513	NFR360/10	2	NTS48X513	301	295,5	NTC48X513	380	335	NDK48	M20	148	SNS3048-H-D
H2334(-HG)X513	NFR310/6	2	NTS40X513	271	265,5	NTC40X513	326	293	NDK40	M20	105	SNS3234-H-D
H3134(-HG)X514	NFR310/18	2	NTS40X514	271	265,5	NTC40X514	326	293	NDK40	M20	105	SNS3040-H-D
H2334(-HG)X514	NFR360/10	2	NTS48X514	301	295,5	NTC48X514	380	335	NDK48	M20	148	SNS3048-H-D
H2334(-HG)X514	NFR310/6	2	NTS40X514	271	265,5	NTC40X514	326	293	NDK40	M20	105	SNS3234-H-D
H3134(-HG)X515	NFR310/18	2	NTS40X515	271	265,5	NTC40X515	326	293	NDK40	M20	105	SNS3040-H-D
H2334(-HG)X515	NFR360/10	2	NTS48X515	301	295,5	NTC48X515	380	335	NDK48	M20	148	SNS3048-H-D
H3134(-HG)X515	NFR280/10	2	NTS34X515 ²⁾	241 ³⁾	235,5 ⁴⁾	NTC34X515	298	264	NDK34	M16	75	SNS3134-H-D
-	NFR280/10	2	NTS34X515 ²⁾	241 ³⁾	235,5 ⁴⁾	NTC34X515	298	264	NDK34	M16	75	SNS3134-H-D
H2334(-HG)X515	NFR310/6	2	NTS40X515	271	265,5	NTC40X515	326	293	NDK40	M20	105	SNS3234-H-D
H3134(-HG)X600	NFR310/18	2	NTS40X600	271	265,5	NTC40X600	326	293	NDK40	M20	105	SNS3040-H-D
H2334(-HG)X600	NFR360/10	2	NTS48X600	301	295,5	NTC48X600	380	335	NDK48	M20	148	SNS3048-H-D
H3134(-HG)X600	NFR280/10	2	NTS34X600	241	235,5	NTC34X600	298	264	NDK34	M16	75	SNS3134-H-D
H2334(-HG)X600	NFR310/6	2	NTS40X600	271	265,5	NTC40X600	326	293	NDK40	M20	105	SNS3234-H-D

Plummer block housings

SNS, split

For spherical roller bearings with tapered bore and adapter sleeve
Inch size shaft



Dimension table (continued) - Dimensions in mm

Shaft		Housing Dimensions													Spherical roller bearing and accessories	
		h	h ₁	g	b	c	a	m	n	v	u	s	D	k	e	Bearing
inch	mm															
6 ⁵ / ₁₆	160,338	190	375	260	210	80	560	480	120	34	28	M24	320	124	10	22236..-K
6 ⁵ / ₁₆	160,338	170	333	230	180	70	510	430	100	34	28	M24	280	108	14	23036..-K
6 ³ / ₈	161,925	190	375	260	210	80	560	480	120	34	28	M24	320	124	10	22236..-K
6 ³ / ₈	161,925	170	333	230	180	70	510	430	100	34	28	M24	280	108	14	23036..-K
6 ⁷ / ₁₆	163,513	190	375	260	210	80	560	480	120	34	28	M24	320	124	10	22236..-K
6 ⁷ / ₁₆	163,513	170	333	230	180	70	510	430	100	34	28	M24	280	108	14	23036..-K
6 ⁷ / ₁₆	163,513	170	333	230	180	70	510	430	100	34	28	M24	280	108	14	230S.607-MA ¹⁾
6 ⁷ / ₁₆	163,513	180	353	240	190	75	530	450	110	34	28	M24	300	116	15	23136..-K
6 ⁷ / ₁₆	163,513	180	353	240	190	75	530	450	110	34	28	M24	300	116	15	231S.607-MA ¹⁾
6 ⁷ / ₁₆	163,513	190	375	260	210	80	560	480	120	34	28	M24	320	124	10	23236..-K
6 ¹ / ₂	165,100	190	375	260	210	80	560	480	120	34	28	M24	320	124	10	22236..-K
6 ¹ / ₂	165,100	170	333	230	180	70	510	430	100	34	28	M24	280	108	14	23036..-K
6 ¹ / ₂	165,100	180	353	240	190	75	530	450	110	34	28	M24	300	116	15	23136..-K
6 ¹ / ₂	165,100	190	375	260	210	80	560	480	120	34	28	M24	320	124	10	23236..-K
6 ³ / ₄	171,450	210	411	280	230	85	610	510	130	42	35	M30	340	132	10	22238..-K
6 ³ / ₄	171,450	240	474	310	260	95	700	600	150	42	35	M30	400	148	12	22338..-K
6 ³ / ₄	171,450	180	353	240	190	75	530	450	110	34	28	M24	290	115	15	23038..-K
6 ³ / ₄	171,450	190	375	260	210	80	560	480	120	34	28	M24	320	124	10	23138..-K
6 ³ / ₄	171,450	210	411	280	230	85	610	510	130	42	35	M30	340	132	10	23238..-K
6 ¹³ / ₁₆	173,038	210	411	280	230	85	610	510	130	42	35	M30	340	132	10	22238..-K
6 ¹³ / ₁₆	173,038	240	474	310	260	95	700	600	150	42	35	M30	400	148	12	22338..-K
6 ¹³ / ₁₆	173,038	180	353	240	190	75	530	450	110	34	28	M24	290	115	15	23038..-K
6 ¹³ / ₁₆	173,038	210	411	280	230	85	610	510	130	42	35	M30	340	132	10	23238..-K
6 ⁷ / ₈	174,625	210	411	280	230	85	610	510	130	42	35	M30	340	132	10	22238..-K
6 ⁷ / ₈	174,625	240	474	310	260	95	700	600	150	42	35	M30	400	148	12	22338..-K
6 ⁷ / ₈	174,625	180	353	240	190	75	530	450	110	34	28	M24	290	115	15	23038..-K
6 ⁷ / ₈	174,625	210	411	280	230	85	610	510	130	42	35	M30	340	132	10	23238..-K

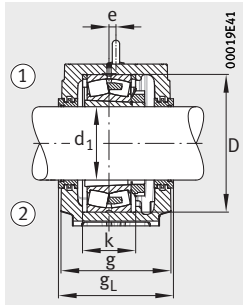
① Locating bearing. ② Non-locating bearing.

1) Split bearing in associated housing has restricted usability. Please ask for further information.

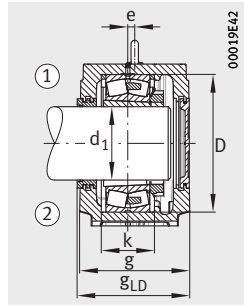
2) Alternatively also available with split labyrinth seal NTSG.

3) With NTSG: width g_L increased by 16 mm.

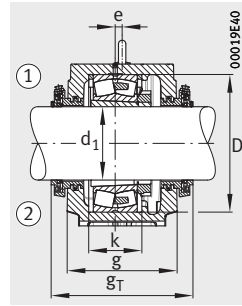
4) With NTSG: width g_{LD} increased by 8 mm.



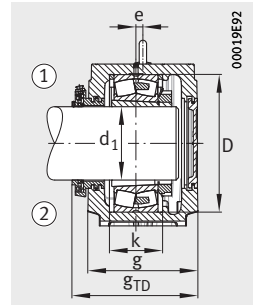
Labyrinth seal NTS



Labyrinth seal NTS
Cover NDK



Taconite seal NTC



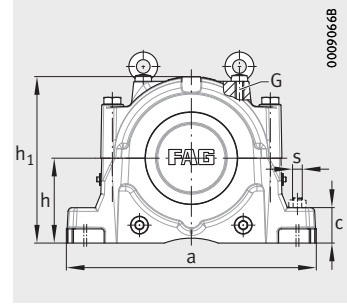
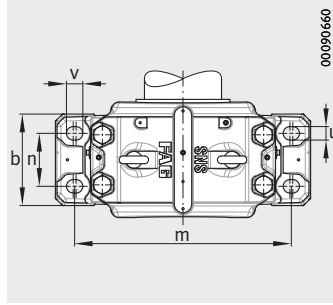
Taconite seal NTC
Cover NDK

										Housing		
Adapter sleeve	Locating ring	Quantity	Labyrinth seal			Taconite seal			Cover	G	Mass m ≈ kg	Designation
				g _L mm	g _{LD} mm		g _T mm	g _{TD} mm				
H3136(-HG)X605	NFR320/19	2	NTS38X605	271	265,5	NTC38X605	329	294,5	NDK38	M20	102	SNS3138-H-D
H3036(-HG)X605	NFR280/17	2	NTS36X605	241	235,5	NTC36X605	299	264,5	NDK36	M16	74	SNS3036-H-D
H3136(-HG)X606	NFR320/19	2	NTS38X606	271	265,5	NTC38X606	329	294,5	NDK38	M20	102	SNS3138-H-D
H3036(-HG)X606	NFR280/17	2	NTS36X606	241	235,5	NTC36X606	299	264,5	NDK36	M16	74	SNS3036-H-D
H3136(-HG)X607	NFR320/19	2	NTS38X607	271	265,5	NTC38X607	329	294,5	NDK38	M20	102	SNS3138-H-D
H3036(-HG)X607	NFR280/17	2	NTS36X607 ²⁾	241 ³⁾	235,5 ⁴⁾	NTC36X607	299	264,5	NDK36	M16	74	SNS3036-H-D
-	NFR280/17	2	NTS36X607 ²⁾	241 ³⁾	235,5 ⁴⁾	NTC36X607	299	264,5	NDK36	M16	74	SNS3036-H-D
H3136(-HG)X607	NFR300/10	2	NTS36X607 ²⁾	251 ³⁾	245,5 ⁴⁾	NTC36X607	309	274,5	NDK36	M16	83	SNS3136-H-D
-	NFR300/10	2	NTS36X607 ²⁾	251 ³⁾	245,5 ⁴⁾	NTC36X607	309	274,5	NDK36	M16	83	SNS3136-H-D
H2336(-HG)X607	NFR320/6	2	NTS38X607	271	265,5	NTC38X607	329	294,5	NDK38	M20	102	SNS3236-H-D
H3136(-HG)X608	NFR320/19	2	NTS38X608	271	265,5	NTC38X608	329	294,5	NDK38	M20	102	SNS3138-H-D
H3036(-HG)X608	NFR280/17	2	NTS36X608	241	235,5	NTC36X608	299	264,5	NDK36	M16	74	SNS3036-H-D
H3136(-HG)X608	NFR300/10	2	NTS36X608	251	245,5	NTC36X608	309	274,5	NDK36	M16	83	SNS3136-H-D
H2336(-HG)X608	NFR320/6	2	NTS38X608	271	265,5	NTC38X608	329	294,5	NDK38	M20	102	SNS3236-H-D
H3138(-HG)X612	NFR340/10	4	NTS40X612	291	285,5	NTC40X612	346	313	NDK40	M20	133	SNS3140-H-D
H2338(-HG)X612	NFR400/8	2	NTS48X612	321	315,5	NTC48X612	400	355	NDK48	M24	184	SNS3148-H-D
H3038(-HG)X612	NFR290/10	4	NTS38X612	251	245,5	NTC38X612	311	275,5	NDK38	M16	86	SNS3038-H-D
H3138(-HG)X612	NFR320/10	2	NTS38X612	271	265,5	NTC38X612	329	294,5	NDK38	M20	102	SNS3138-H-D
H2338(-HG)X612	NFR340/6	2	NTS40X612	291	285,5	NTC40X612	346	313	NDK40	M20	133	SNS3238-H-D
H3138(-HG)X613	NFR340/10	4	NTS40X613	291	285,5	NTC40X613	346	313	NDK40	M20	133	SNS3140-H-D
H2338(-HG)X613	NFR400/8	2	NTS48X613	321	315,5	NTC48X613	400	355	NDK48	M24	184	SNS3148-H-D
H3038(-HG)X613	NFR290/10	4	NTS38X613	251	245,5	NTC38X613	311	275,5	NDK38	M16	86	SNS3038-H-D
H2338(-HG)X613	NFR340/6	2	NTS40X613	291	285,5	NTC40X613	346	313	NDK40	M20	133	SNS3238-H-D
H3138(-HG)X614	NFR340/10	4	NTS40X614	291	285,5	NTC40X614	346	313	NDK40	M20	133	SNS3140-H-D
H2338(-HG)X614	NFR400/8	2	NTS48X614	321	315,5	NTC48X614	400	355	NDK48	M24	184	SNS3148-H-D
H3038(-HG)X614	NFR290/10	4	NTS38X614	251	245,5	NTC38X614	311	275,5	NDK38	M16	86	SNS3038-H-D
H2338(-HG)X614	NFR340/6	2	NTS40X614	291	285,5	NTC40X614	346	313	NDK40	M20	133	SNS3238-H-D

Plummer block housings

SNS, split

For spherical roller bearings with tapered bore and adapter sleeve
Inch size shaft

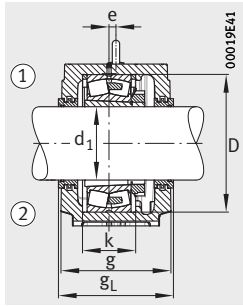


Dimension table (continued) - Dimensions in mm

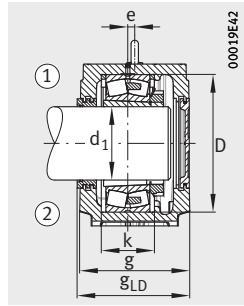
Shaft		Housing Dimensions											Spherical roller bearing and accessories			
		h	h ₁	g	b	c	a	m	n	v	u	s	D	k	e	Bearing
inch	mm															
6 ¹⁵ / ₁₆	176,213	210	411	280	230	85	610	510	130	42	35	M30	340	132	10	22238..-K
6 ¹⁵ / ₁₆	176,213	240	474	310	260	95	700	600	150	42	35	M30	400	148	12	22338..-K
6 ¹⁵ / ₁₆	176,213	180	353	240	190	75	530	450	110	34	28	M24	290	115	15	23038..-K
6 ¹⁵ / ₁₆	176,213	190	375	260	210	80	560	480	120	34	28	M24	320	124	10	23138..-K
6 ¹⁵ / ₁₆	176,213	190	375	260	210	80	560	480	120	34	28	M24	320	124	10	2315.615
6 ¹⁵ / ₁₆	176,213	210	411	280	230	85	610	510	130	42	35	M30	340	132	10	23238..-K
7	177,800	210	411	280	230	85	610	510	130	42	35	M30	340	132	10	22238..-K
7	177,800	220	434	290	240	90	640	540	140	42	35	M30	360	140	12	22240..-K
7	177,800	240	474	310	260	95	700	600	150	42	35	M30	400	148	12	22338..-K
7	177,800	260	516	320	280	100	770	650	160	50	42	M36	420	166	13	22340..-K
7	177,800	180	353	240	190	75	530	450	110	34	28	M24	290	115	15	23038..-K
7	177,800	180	353	240	190	75	530	450	110	34	28	M24	290	115	15	2305.700 ¹⁾
7	177,800	190	375	260	210	80	560	480	120	34	28	M24	310	122	10	23040..-K
7	177,800	210	411	280	230	85	610	510	130	42	35	M30	340	132	10	23140..-K
7	177,800	210	411	280	230	85	610	510	130	42	35	M30	340	132	10	2315.700
7	177,800	210	411	280	230	85	610	510	130	42	35	M30	340	132	10	23238..-K
7	177,800	220	434	290	240	90	640	540	140	42	35	M30	360	140	12	23240..-K
7 ¹ / ₈	180,975	220	434	290	240	90	640	540	140	42	35	M30	360	140	12	22240..-K
7 ¹ / ₈	180,975	260	516	320	280	100	770	650	160	50	42	M36	420	166	13	22340..-K
7 ¹ / ₈	180,975	190	375	260	210	80	560	480	120	34	28	M24	310	122	10	23040..-K
7 ¹ / ₈	180,975	220	434	290	240	90	640	540	140	42	35	M30	360	140	12	23240..-K
7 ³ / ₁₆	182,563	220	434	290	240	90	640	540	140	42	35	M30	360	140	12	22240..-K
7 ³ / ₁₆	182,563	260	516	320	280	100	770	650	160	50	42	M36	420	166	13	22340..-K
7 ³ / ₁₆	182,563	190	375	260	210	80	560	480	120	34	28	M24	310	122	10	23040..-K
7 ³ / ₁₆	182,563	210	411	280	230	85	610	510	130	42	35	M30	340	132	10	23140..-K
7 ³ / ₁₆	182,563	220	434	290	240	90	640	540	140	42	35	M30	360	140	12	23240..-K

① Locating bearing. ② Non-locating bearing.

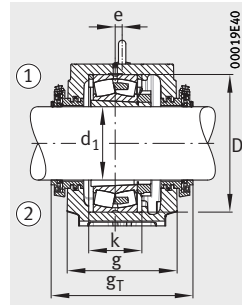
¹⁾ Split bearing in associated housing has restricted usability. Please ask for further information.



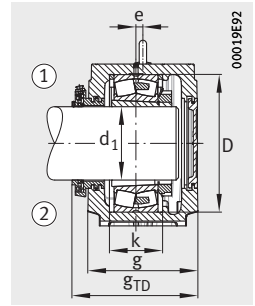
Labyrinth seal NTS



Labyrinth seal NTS
Cover NDK



Taconite seal NTC



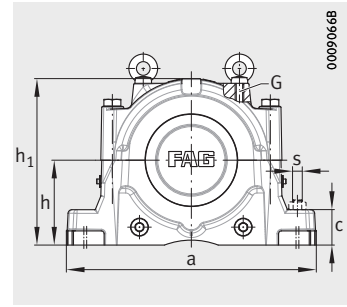
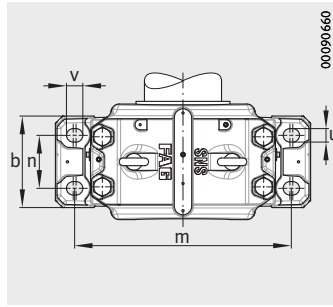
Taconite seal NTC
Cover NDK

										Housing		
Adapter sleeve	Locating ring		Labyrinth seal			Taconite seal			Cover	G	Mass m ≈ kg	Designation
		Quantity		gL mm	gL _D mm		g _T mm	g _{TD} mm				
H3138(-HG)X615	NFR340/10	4	NTS40X615	291	285,5	NTC40X615	346	313	NDK40	M20	133	SNS3140-H-D
H2338(-HG)X615	NFR400/8	2	NTS48X615	321	315,5	NTC48X615	400	355	NDK48	M24	184	SNS3148-H-D
H3038(-HG)X615	NFR290/10	4	NTS38X615	251	245,5	NTC38X615	309	274,5	NDK38	M16	86	SNS3038-H-D
H3138(-HG)X615	NFR320/10	2	NTS38X615	271	265,5	NTC38X615	329	294,5	NDK38	M20	102	SNS3138-H-D
-	NFR320/10	2	NTS38X615	271	265,5	NTC38X615	329	294,5	NDK38	M20	102	SNS3138-H-D
H2338(-HG)X615	NFR340/6	2	NTS40X615	291	285,5	NTC40X615	346	313	NDK40	M20	133	SNS3238-H-D
H3138(-HG)X700	NFR340/10	4	NTS40X700	291	285,5	NTC40X700	346	313	NDK40	M20	133	SNS3140-H-D
H3140(-HG)X700	NFR360/21	2	NTS48X700	301	295,5	NTC48X700	380	335	NDK48	M20	148	SNS3048-H-D
H2338(-HG)X700	NFR400/8	2	NTS48X700	321	315,5	NTC48X700	400	355	NDK48	M24	184	SNS3148-H-D
H2340(-HG)X700	NFR420/14	2	NTS56X700	331	325,5	NTC56X700	410	365	NDK56	M24	249	SNS3056-H-D
H3038(-HG)X700	NFR290/10	4	NTS38X700	251	245,5	NTC38X700	311	275,5	NDK38	M16	86	SNS3038-H-D
-	NFR290/10	4	NTS38X700	251	245,5	NTC38X700	311	275,5	NDK38	M16	86	SNS3038-H-D
H3040(-HG)X700	NFR310/10	4	NTS40X700	271	265,5	NTC40X700	326	293	NDK40	M20	105	SNS3040-H-D
H3140(-HG)X700	NFR340/10	2	NTS40X700	291	285,5	NTC40X700	346	313	NDK40	M20	133	SNS3140-H-D
-	NFR340/10	2	NTS40X700	291	285,5	NTC40X700	346	313	NDK40	M20	133	SNS3140-H-D
H2338(-HG)X700	NFR340/6	2	NTS40X700	291	285,5	NTC40X700	346	313	NDK40	M20	133	SNS3238-H-D
H2340(-HG)X700	NFR360/6	2	NTS48X700	301	295,5	NTC48X700	380	335	NDK48	M20	148	SNS3240-H-D
H3140(-HG)X702	NFR360/21	2	NTS48X702	301	295,5	NTC48X702	380	335	NDK48	M20	148	SNS3048-H-D
H2340(-HG)X702	NFR420/14	2	NTS56X702	331	325,5	NTC56X702	410	365	NDK56	M24	249	SNS3056-H-D
H3040(-HG)X702	NFR310/10	4	NTS40X702	271	265,5	NTC40X702	326	293	NDK40	M20	105	SNS3040-H-D
H2340(-HG)X702	NFR360/6	2	NTS48X702	301	295,5	NTC48X702	380	335	NDK48	M20	148	SNS3240-H-D
H3140(-HG)X703	NFR360/21	2	NTS48X703	301	295,5	NTC48X703	380	335	NDK48	M20	148	SNS3048-H-D
H2340(-HG)X703	NFR420/14	2	NTS56X703	331	325,5	NTC56X703	410	365	NDK56	M24	249	SNS3056-H-D
H3040(-HG)X703	NFR310/10	4	NTS40X703	271	265,5	NTC40X703	326	293	NDK40	M20	105	SNS3040-H-D
H3140(-HG)X703	NFR340/10	2	NTS40X703	291	285,5	NTC40X703	346	313	NDK40	M20	133	SNS3140-H-D
H2340(-HG)X703	NFR360/6	2	NTS48X703	301	295,5	NTC48X703	380	335	NDK48	M20	148	SNS3240-H-D

Plummer block housings

SNS, split

For spherical roller bearings with tapered bore and adapter sleeve
Inch size shaft

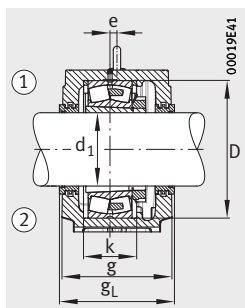


Dimension table (continued) - Dimensions in mm

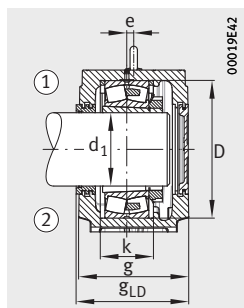
Shaft		Housing Dimensions													Spherical roller bearing and accessories	
		h	h ₁	g	b	c	a	m	n	v	u	s	D	k	e	Bearing
<i>inch</i>	mm															
7 ¹ / ₄	184,150	220	434	290	240	90	640	540	140	42	35	M30	360	140	12	22240.-K
7 ¹ / ₄	184,150	260	516	320	280	100	770	650	160	50	42	M36	420	166	13	22340.-K
7 ¹ / ₄	184,150	190	375	260	210	80	560	480	120	34	28	M24	310	122	10	23040.-K
7 ¹ / ₄	184,150	220	434	290	240	90	640	540	140	42	35	M30	360	140	12	23240.-K
7 ¹³ / ₁₆	198,438	240	474	310	260	95	700	600	150	42	35	M30	400	148	12	22244.-K
7 ¹³ / ₁₆	198,438	210	411	280	230	85	610	510	130	42	35	M30	340	130	10	23044.-K
7 ⁷ / ₈	200,025	240	474	310	260	95	700	600	150	42	35	M30	400	148	12	22244.-K
7 ⁷ / ₈	200,025	210	411	280	230	85	610	510	130	42	35	M30	340	130	10	23044.-K
7 ¹⁵ / ₁₆	201,613	240	474	310	260	95	700	600	150	42	35	M30	400	148	12	22244.-K
7 ¹⁵ / ₁₆	201,613	280	550	320	280	105	790	670	160	50	42	M36	460	166	16	22344.-K
7 ¹⁵ / ₁₆	201,613	210	411	280	230	85	610	510	130	42	35	M30	340	130	10	23044.-K
7 ¹⁵ / ₁₆	201,613	220	434	290	240	90	640	540	140	42	35	M30	370	140	12	23144.-K
7 ¹⁵ / ₁₆	201,613	240	474	310	260	95	700	600	150	42	35	M30	400	164	12	23244.-K
8	203,200	240	474	310	260	95	700	600	150	42	35	M30	400	148	12	22244.-K
8	203,200	210	411	280	230	85	610	510	130	42	35	M30	340	130	10	23044.-K
8 ⁷ / ₁₆	214,313	260	516	320	280	100	770	650	160	50	42	M36	440	164	13	22248.-K
8 ⁷ / ₁₆	214,313	220	434	290	240	90	640	540	140	42	35	M30	360	140	12	23048.-K
8 ⁷ / ₁₆	214,313	220	434	290	240	90	640	540	140	42	35	M30	360	140	12	230S.807¹⁾
8 ¹ / ₂	215,900	260	516	320	280	100	770	650	160	50	42	M36	440	164	13	22248.-K
8 ¹ / ₂	215,900	220	434	290	240	90	640	540	140	42	35	M30	360	140	12	23048.-K
8 ¹ / ₂	215,900	220	434	290	240	90	640	540	140	42	35	M30	360	140	12	230S.808¹⁾
8 ¹⁵ / ₁₆	227,013	260	516	320	280	100	770	650	160	50	42	M36	440	164	13	22248.-K
8 ¹⁵ / ₁₆	227,013	300	591	350	310	110	830	710	190	50	42	M36	500	180	22	22348.-K
8 ¹⁵ / ₁₆	227,013	220	434	290	240	90	640	540	140	42	35	M30	360	140	12	23048.-K
8 ¹⁵ / ₁₆	227,013	240	474	310	260	95	700	600	150	42	35	M30	400	148	12	23148.-K
8 ¹⁵ / ₁₆	227,013	260	516	320	280	100	770	650	160	50	42	M36	440	180	13	23248.-K

① Locating bearing. ② Non-locating bearing.

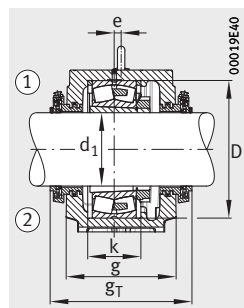
1) Split bearing in associated housing has restricted usability.
Please ask for further information.



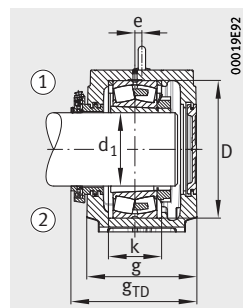
Labyrinth seal NTS



Labyrinth seal NTS
Cover NDK



Taconite seal NTC

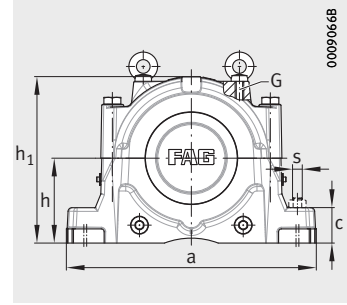
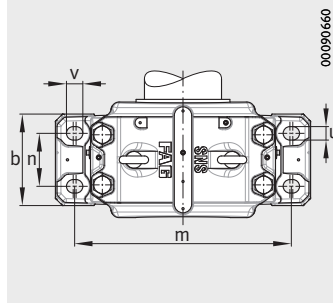


Taconite seal NTC
Cover NDK

									Housing			
Adapter sleeve	Locating ring		Labyrinth seal			Taconite seal			Cover	G	Mass m ≈ kg	Designation
		Quan- tity		g _L mm	g _{LD} mm		g _T mm	g _{TD} mm				
H3140(-HG)X704	NFR360/21	2	NTS48X704	301	295,5	NTC48X704	380	335	NDK48	M20	148	SNS3048-H-D
H2340(-HG)X704	NFR420/14	2	NTS56X704	331	325,5	NTC56X704	410	365	NDK56	M24	249	SNS3056-H-D
H3040(-HG)X704	NFR310/10	4	NTS40X704	271	265,5	NTC40X704	326	293	NDK40	M20	105	SNS3040-H-D
H2340(-HG)X704	NFR360/6	2	NTS48X704	301	295,5	NTC48X704	380	335	NDK48	M20	148	SNS3240-H-D
H3144X(-HG)X713	NFR400/10	4	NTS48X713	321	315,5	NTC48X713	400	355	NDK48	M24	184	SNS3148-H-D
H3044(-HG)X713	NFR340/10	4	NTS44X713	291	285,5	NTC44X713	370	325	NDK44	M20	129	SNS3044-H-D
H3144X(-HG)X714	NFR400/10	4	NTS48X714	321	315,5	NTC48X714	400	355	NDK48	M24	184	SNS3148-H-D
H3044(-HG)X714	NFR340/10	4	NTS44X714	291	285,5	NTC44X714	370	325	NDK44	M20	129	SNS3044-H-D
H3144X(-HG)X715	NFR400/10	4	NTS48X715	321	315,5	NTC48X715	400	355	NDK48	M24	184	SNS3148-H-D
H2344(-HG)X715	NFR460/10,5	2	NTS56X715	331	325,5	NTC56X715	410	365	NDK56	M24	264	SNS3156-H-D
H3044(-HG)X715	NFR340/10	4	NTS44X715	291	285,5	NTC44X715	370	325	NDK44	M20	129	SNS3044-H-D
H3144X(-HG)X715	NFR370/10	2	NTS44X715	301	295,5	NTC44X715	380	335	NDK44	M20	146	SNS3144-H-D
H2344(-HG)X715	NFR400/10	2	NTS48X715	321	315,5	NTC48X715	400	355	NDK48	M24	183	SNS3244-H-D
H3144X(-HG)X800	NFR400/10	4	NTS48X800	321	315,5	NTC48X800	400	355	NDK48	M24	184	SNS3148-H-D
H3044(-HG)X800	NFR340/10	4	NTS44X800	291	285,5	NTC44X800	370	325	NDK44	M20	129	SNS3044-H-D
H3148X(-HG)X807	NFR440/22	2	NTS52X807	331	325,5	NTC52X807	410	365	NDK52	M24	238	SNS3152-H-D
H3048(-HG)X807	NFR360/12	4	NTS48X807	301	295,5	NTC48X807	380	335	NDK48	M20	148	SNS3048-H-D
-	NFR360/12	4	NTS48X807	301	295,5	NTC48X807	380	335	NDK48	M20	148	SNS3048-H-D
H3148X(-HG)X808	NFR440/22	2	NTS52X808	331	325,5	NTC52X808	410	365	NDK52	M24	238	SNS3152-H-D
H3048(-HG)X808	NFR360/12	4	NTS48X808	301	295,5	NTC48X808	380	335	NDK48	M20	148	SNS3048-H-D
-	NFR360/12	4	NTS48X808	301	295,5	NTC48X808	380	335	NDK48	M20	148	SNS3048-H-D
H3148X(-HG)X815	NFR440/22	2	NTS52X815	331	325,5	NTC52X815	410	365	NDK52	M24	238	SNS3152-H-D
H2348(-HG)X815	NFR500/12,5	2	NTS60X815	361	355,5	NTC60X815	440	395	NDK60	M30	317	SNS3160-H-D
H3048(-HG)X815	NFR360/12	4	NTS48X815	301	295,5	NTC48X815	380	335	NDK48	M20	148	SNS3048-H-D
H3148X(-HG)X815	NFR400/10	2	NTS48X815	321	315,5	NTC48X815	400	355	NDK48	M24	184	SNS3148-H-D
H2348(-HG)X815	NFR440/10	2	NTS52X815	331	325,5	NTC52X815	410	365	NDK52	M24	235	SNS3248-H-D

Plummer block housings

SNS, split
For spherical roller bearings with tapered bore and adapter sleeve
Inch size shaft

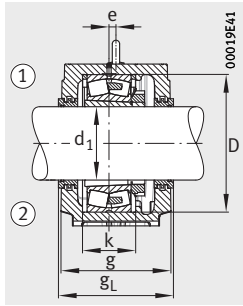


Dimension table (continued) - Dimensions in mm

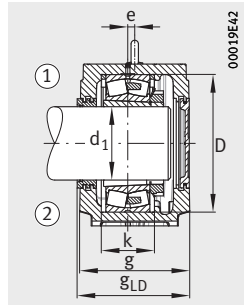
Shaft		Housing Dimensions													Spherical roller bearing and accessories	
		h	h ₁	g	b	c	a	m	n	v	u	s	D	k	e	Bearing
inch	mm															
97/16	239,713	240	474	310	260	95	700	600	150	42	35	M30	400	148	12	23052..-K
97/16	239,713	260	516	320	280	100	770	650	160	50	42	M36	440	164	13	23152..-K
97/16	239,713	260	516	320	280	100	770	650	160	50	42	M36	440	164	13	2315.907¹⁾
97/16	239,713	300	591	350	310	110	830	710	190	50	42	M36	480	194	22	23252..-K
91/2	241,300	300	591	350	310	110	830	710	190	50	42	M36	480	181	22	22252..-K
91/2	241,300	320	631	370	330	115	880	750	200	50	42	M36	540	196	23	22352..-K
91/2	241,300	240	474	310	260	95	700	600	150	42	35	M30	400	148	12	23052..-K
91/2	241,300	240	474	310	260	95	700	600	150	42	35	M30	400	148	12	2305.908
91/2	241,300	260	516	320	280	100	770	650	160	50	42	M36	440	164	13	23152..-K
91/2	241,300	260	516	320	280	100	770	650	160	50	42	M36	440	164	13	2315.908¹⁾
91/2	241,300	300	591	350	310	110	830	710	190	50	42	M36	480	194	22	23252..-K
915/16	252,413	260	516	320	280	100	770	650	160	50	42	M36	420	166	13	23056..-K
10	254,000	300	591	350	310	110	830	710	190	50	42	M36	500	180	22	22256..-K
10	254,000	260	516	320	280	100	770	650	160	50	42	M36	420	166	13	23056..-K
10	254,000	260	516	320	280	100	770	650	160	50	42	M36	420	166	13	2305.1000¹⁾
10	254,000	280	550	320	280	105	790	670	160	50	42	M36	460	166	16	23156..-K
10	254,000	280	550	320	280	105	790	670	160	50	42	M36	460	166	16	2315.1000
107/16	265,113	300	591	350	310	110	830	710	190	50	42	M36	500	180	22	22256..-K
107/16	265,113	340	675	400	360	120	950	810	220	50	42	M36	580	210	24	22356..-K
107/16	265,113	260	516	320	280	100	770	650	160	50	42	M36	420	166	13	23056..-K
107/16	265,113	280	550	320	280	105	790	670	160	50	42	M36	460	166	16	23156..-K
107/16	265,113	300	591	350	310	110	830	710	190	50	42	M36	500	196	22	23256..-K
101/2	266,700	300	591	350	310	110	830	710	190	50	42	M36	500	180	22	22256..-K
101/2	266,700	340	675	400	360	120	950	810	220	50	42	M36	580	210	24	22356..-K
101/2	266,700	260	516	320	280	100	770	650	160	50	42	M36	420	166	13	23056..-K
101/2	266,700	280	550	320	280	105	790	670	160	50	42	M36	460	166	16	23156..-K
101/2	266,700	300	591	350	310	110	830	710	190	50	42	M36	500	196	22	23256..-K

① Locating bearing. ② Non-locating bearing.

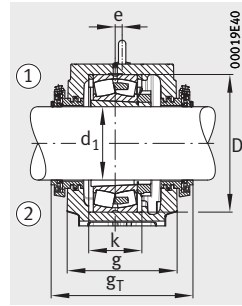
¹⁾ Split bearing in associated housing has restricted usability. Please ask for further information.



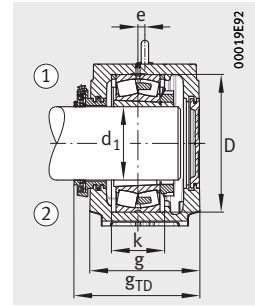
Labyrinth seal NTS



Labyrinth seal NTS
Cover NDK



Taconite seal NTC



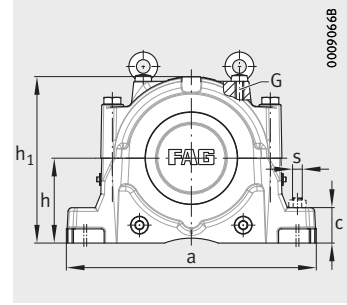
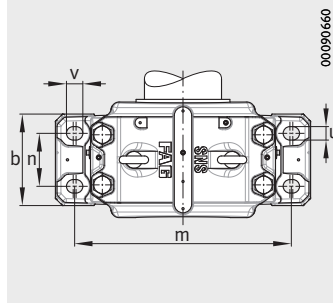
Taconite seal NTC
Cover NDK

										Housing		
Adapter sleeve	Locating ring	Quantity	Labyrinth seal		Taconite seal			Cover	G	Mass m ≈ kg	Designation	
			g _L mm	g _{LD} mm	g _T mm	g _{TD} mm						
H3052(-HG)X907	NFR400/22	2	NTS52X907	321	315,5	NTC52X907	400	355	NDK52	M24	180	SNS3052-H-D
H3152X(-HG)X907	NFR440/10	2	NTS52X907	331	325,5	NTC52X907	410	365	NDK52	M24	238	SNS3152-H-D
-	NFR440/10	2	NTS52X907	331	325,5	NTC52X907	410	365	NDK52	M24	238	SNS3152-H-D
H2352(-HG)X907	NFR480/10	2	NTS64X907	361	355,5	NTC64X907	440	395	NDK64	M30	331	SNS3252-H-D
H3152X(-HG)X908	NFR480/25,5	2	NTS64X908	361	355,5	NTC64X908	440	395	NDK64	M30	332	SNS3064-H-D
H2352(-HG)X908	NFR540/15,5	2	NTS64X908	381	375,5	NTC64X908	460	415	NDK64	M30	368	SNS3164-H-D
H3052(-HG)X908	NFR400/22	2	NTS52X908	321	315,5	NTC52X908	400	355	NDK52	M24	180	SNS3052-H-D
-	NFR400/22	2	NTS52X908	321	315,5	NTC52X908	400	355	NDK52	M24	180	SNS3052-H-D
H3152X(-HG)X908	NFR440/10	2	NTS52X908	331	325,5	NTC52X908	410	365	NDK52	M24	238	SNS3152-H-D
-	NFR440/10	2	NTS52X908	331	325,5	NTC52X908	410	365	NDK52	M24	238	SNS3152-H-D
H2352(-HG)X908	NFR480/10	2	NTS64X908	361	355,5	NTC64X908	440	395	NDK64	M30	331	SNS3252-H-D
H3056(-HG)X915	NFR420/10	6	NTS56X915	331	325,5	NTC56X915	410	365	NDK56	M24	249	SNS3056-H-D
H3156X(-HG)X1000	NFR500/25	2	NTS60X1000	361	355,5	NTC60X1000	440	395	NDK60	M30	317	SNS3160-H-D
H3056(-HG)X1000	NFR420/10	6	NTS56X1000	331	325,5	NTC56X1000	410	365	NDK56	M24	249	SNS3056-H-D
-	NFR420/10	6	NTS56X1000	331	325,5	NTC56X1000	410	365	NDK56	M24	249	SNS3056-H-D
H3156X(-HG)X1000	NFR460/10	2	NTS56X1000	331	325,5	NTC56X1000	410	365	NDK56	M24	264	SNS3156-H-D
-	NFR460/10	2	NTS56X1000	331	325,5	NTC56X1000	410	365	NDK56	M24	264	SNS3156-H-D
H3156X(-HG)X1007	NFR500/25	2	NTS60X1007	361	355,5	NTC60X1007	440	395	NDK60	M30	317	SNS3160-H-D
H2356(-HG)X1007	NFR580/17,5	2	NTS68X1007	411	405,5	NTC68X1007	490	445	NDK68	M30	461	SNS3168-H-D
H3056(-HG)X1007	NFR420/10	6	NTS56X1007	331	325,5	NTC56X1007	410	365	NDK56	M24	249	SNS3056-H-D
H3156X(-HG)X1007	NFR460/10	2	NTS56X1007	331	325,5	NTC56X1007	410	365	NDK56	M24	264	SNS3156-H-D
H2356(-HG)X1007	NFR500/10	2	NTS60X1007	361	355,5	NTC60X1007	440	395	NDK60	M30	314	SNS3256-H-D
H3156X(-HG)X1008	NFR500/25	2	NTS60X1008	361	355,5	NTC60X1008	440	395	NDK60	M30	317	SNS3160-H-D
H2356(-HG)X1008	NFR580/17,5	2	NTS68X1008	411	405,5	NTC68X1008	490	445	NDK68	M30	461	SNS3168-H-D
H3056(-HG)X1008	NFR420/10	6	NTS56X1008	331	325,5	NTC56X1008	410	365	NDK56	M24	249	SNS3056-H-D
H3156X(-HG)X1008	NFR460/10	2	NTS56X1008	331	325,5	NTC56X1008	410	365	NDK56	M24	264	SNS3156-H-D
H2356(-HG)X1008	NFR500/10	2	NTS60X1008	361	355,5	NTC60X1008	440	395	NDK60	M30	314	SNS3256-H-D

Plummer block housings

SNS, split

For spherical roller bearings with tapered bore and adapter sleeve
Inch size shaft

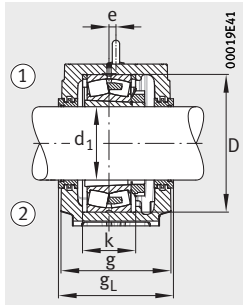


Dimension table (continued) · Dimensions in mm

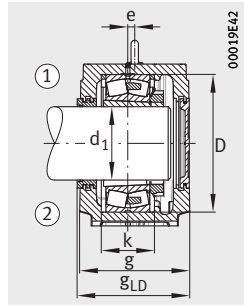
Shaft		Housing Dimensions													Spherical roller bearing and accessories	
		h	h ₁	g	b	c	a	m	n	v	u	s	D	k	e	Bearing
inch	mm															
10 ¹⁵ / ₁₆	277,813	320	631	370	330	115	880	750	200	50	42	M36	540	196	23	22260..-K
10 ¹⁵ / ₁₆	277,813	280	550	320	280	105	790	670	160	50	42	M36	460	168	16	23060..-K
10 ¹⁵ / ₁₆	277,813	280	550	320	280	105	790	670	160	50	42	M36	460	168	16	230S.1015 ¹⁾
10 ¹⁵ / ₁₆	277,813	300	591	350	310	110	830	710	190	50	42	M36	500	180	22	23160..-K
10 ¹⁵ / ₁₆	277,813	320	631	370	330	115	880	750	200	50	42	M36	540	212	23	23260..-K
11	279,400	320	631	370	330	115	880	750	200	50	42	M36	540	196	23	22260..-K
11	279,400	280	550	320	280	105	790	670	160	50	42	M36	460	168	16	23060..-K
11	279,400	280	550	320	280	105	790	670	160	50	42	M36	460	168	16	230S.1100 ¹⁾
11	279,400	300	591	350	310	110	830	710	190	50	42	M36	500	180	22	23160..-K
11	279,400	300	591	350	310	110	830	710	190	50	42	M36	500	180	22	231S.1100 ¹⁾
11	279,400	320	631	370	330	115	880	750	200	50	42	M36	540	212	23	23260..-K
11 ⁷ / ₁₆	290,513	300	591	350	310	110	830	710	190	50	42	M36	480	181	22	23064..-K
11 ¹ / ₂	292,100	340	675	400	360	120	950	810	220	50	42	M36	580	190	24	22264..-K
11 ¹ / ₂	292,100	300	591	350	310	110	830	710	190	50	42	M36	480	181	22	23064..-K
11 ¹⁵ / ₁₆	303,213	300	591	350	310	110	830	710	190	50	42	M36	480	181	22	23064..-K
11 ¹⁵ / ₁₆	303,213	320	631	370	330	115	880	750	200	50	42	M36	540	196	23	23164..-K
11 ¹⁵ / ₁₆	303,213	340	675	400	360	120	950	810	220	50	42	M36	580	228	24	23264..-K
12	304,800	340	675	400	360	120	950	810	220	50	42	M36	580	190	24	22264..-K
12	304,800	300	591	350	310	110	830	710	190	50	42	M36	480	181	22	23064..-K
12	304,800	300	591	350	310	110	830	710	190	50	42	M36	480	181	22	230S.1200 ¹⁾
12	304,800	320	631	370	330	115	880	750	200	50	42	M36	540	196	23	23164..-K
12	304,800	320	631	370	330	115	880	750	200	50	42	M36	540	196	23	231S.1200 ¹⁾
12	304,800	340	675	400	360	120	950	810	220	50	42	M36	580	228	24	23264..-K
12	304,800	340	675	400	360	120	950	810	220	50	42	M36	580	228	24	232S.1200 ¹⁾
12 ⁷ / ₁₆	315,913	320	631	370	330	115	880	750	200	50	42	M36	520	197	23	23068..-K
12 ⁷ / ₁₆	315,913	340	675	400	360	120	950	810	220	50	42	M36	580	210	24	23168..-K
12 ⁷ / ₁₆	315,913	360	715	400	360	120	1040	870	220	50	42	M36	620	244	30	23268..-K

① Locating bearing. ② Non-locating bearing.

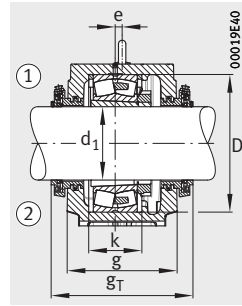
¹⁾ Split bearing in associated housing has restricted usability. Please ask for further information.



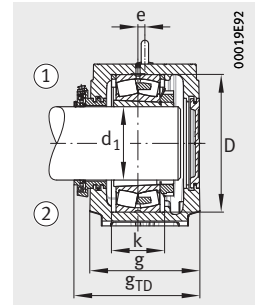
Labyrinth seal NTS



Labyrinth seal NTS
Cover NDK

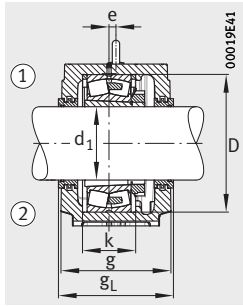


Taconite seal NTC

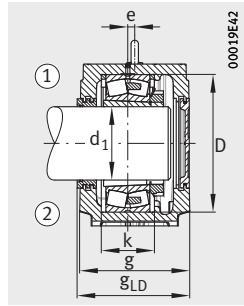


Taconite seal NTC
Cover NDK

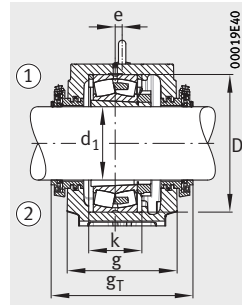
										Housing		
Adapter sleeve	Locating ring		Labyrinth seal			Taconite seal			Cover	G	Mass m ≈ kg	Designation
		Quantity		gL mm	gL _D mm		g _T mm	g _{TD} mm				
H3160(-HG)X1015	NFR540/28	2	NTS64X1015	381	375,5	NTC64X1015	460	415	NDK64	M30	368	SNS3164-H-D
H3060(-HG)X1015	NFR460/25	2	NTS60X1015	331	325,5	NTC60X1015	410	365	NDK60	M24	260	SNS3060-H-D
–	NFR460/25	2	NTS60X1015	331	325,5	NTC60X1015	410	365	NDK60	M24	260	SNS3060-H-D
H3160(-HG)X1015	NFR500/10	2	NTS60X1015	361	355,5	NTC60X1015	440	395	NDK60	M30	317	SNS3160-H-D
H3260(-HG)X1015	NFR540/10	2	NTS64X1015	381	375,5	NTC64X1015	460	415	NDK64	M30	364	SNS3260-H-D
H3160(-HG)X1100	NFR540/28	2	NTS64X1100	381	375,5	NTC64X1100	460	415	NDK64	M30	368	SNS3164-H-D
H3060(-HG)X1100	NFR460/25	2	NTS60X1100	331	325,5	NTC60X1100	410	365	NDK60	M24	260	SNS3060-H-D
–	NFR460/25	2	NTS60X1100	331	325,5	NTC60X1100	410	365	NDK60	M24	260	SNS3060-H-D
H3160(-HG)X1100	NFR500/10	2	NTS60X1100	361	355,5	NTC60X1100	440	395	NDK60	M30	317	SNS3160-H-D
–	NFR500/10	2	NTS60X1100	361	355,5	NTC60X1100	440	395	NDK60	M30	317	SNS3160-H-D
H3260(-HG)X1100	NFR540/10	2	NTS64X1100	381	375,5	NTC64X1100	460	415	NDK64	M30	364	SNS3260-H-D
H3064(-HG)X1107	NFR480/10	6	NTS64X1107	361	355,5	NTC64X1107	440	395	NDK64	M30	332	SNS3064-H-D
H3164(-HG)X1108	NFR580/20	2	NTS68X1108	411	405,5	NTC68X1108	490	445	NDK68	M30	466	SNS2264-H-D
H3064(-HG)X1108	NFR480/10	6	NTS64X1108	361	355,5	NTC64X1108	440	395	NDK64	M30	332	SNS3064-H-D
H3064-HGX1115	NFR480/10	6	NTS64X1115	361	355,5	NTC64X1115	440	395	NDK64	M30	332	SNS3064-H-D
H3164-HGX1115	NFR540/10	2	NTS64X1115	381	375,5	NTC64X1115	460	415	NDK64	M30	368	SNS3164-H-D
H3264-HGX1115	NFR580/10	2	NTS68X1115	411	405,5	NTC68X1115	490	445	NDK68	M30	457	SNS3264-H-D
H3164-HGX1200	NFR580/20	2	NTS68X1200	411	405,5	NTC68X1200	490	445	NDK68	M30	466	SNS2264-H-D
H3064-HGX1200	NFR480/10	6	NTS64X1200	361	355,5	NTC64X1200	440	395	NDK64	M30	332	SNS3064-H-D
–	NFR480/10	6	NTS64X1200	361	355,5	NTC64X1200	440	395	NDK64	M30	332	SNS3064-H-D
H3164-HGX1200	NFR540/10	2	NTS64X1200	381	375,5	NTC64X1200	460	415	NDK64	M30	368	SNS3164-H-D
–	NFR540/10	2	NTS64X1200	381	375,5	NTC64X1200	460	415	NDK64	M30	368	SNS3164-H-D
H3264-HGX1200	NFR580/10	2	NTS68X1200	411	405,5	NTC68X1200	490	445	NDK68	M30	457	SNS3264-H-D
–	NFR580/10	2	NTS68X1200	411	405,5	NTC68X1200	490	445	NDK68	M30	457	SNS3264-H-D
H3068-HGX1207	NFR520/16	4	NTS68X1207	381	375,5	NTC68X1207	460	415	NDK68	M30	386	SNS3068-H-D
H3168-HGX1207	NFR580/10	2	NTS68X1207	411	405,5	NTC68X1207	490	445	NDK68	M30	461	SNS3168-H-D
H3268-HGX1207	NFR620/10	2	NTS76X1207	411	405,5	NTC76X1207	490	445	NDK76	M36	530	SNS3268-H-D



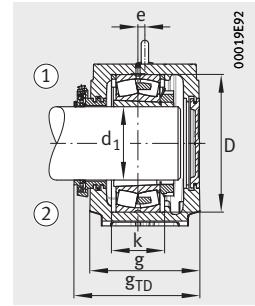
Labyrinth seal NTS



Labyrinth seal NTS
Cover NDK



Taconite seal NTC



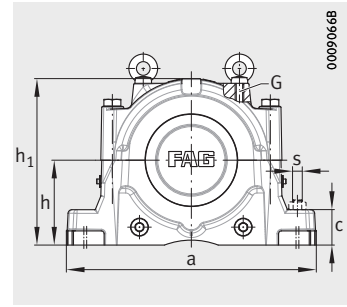
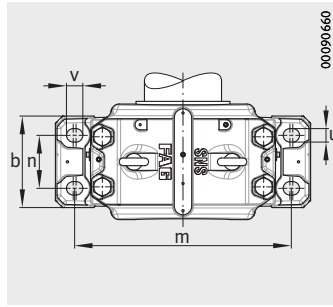
Taconite seal NTC
Cover NDK

									Housing		
Locating ring		Labyrinth seal			Taconite seal			Cover	G	Mass m ≈ kg	Designation
	Quantity		g _L mm	g _{LD} mm		g _T mm	g _{TD} mm				
NFR520/16	4	NTS68X1208	381	375,5	NTC68X1208	460	415	NDK68	M30	386	SNS3068-H-D
NFR580/10	2	NTS68X1208	411	405,5	NTC68X1208	490	445	NDK68	M30	461	SNS3168-H-D
NFR580/10	2	NTS68X1208	411	405,5	NTC68X1208	490	445	NDK68	M30	461	SNS3168-H-D
NFR620/10	2	NTS76X1208	411	405,5	NTC76X1208	490	445	NDK76	M36	530	SNS3268-H-D
NFR540/16	4	NTS72X1215	381	375,5	NTC72X1215	460	415	NDK72	M30	356	SNS3072-H-D
NFR650/25	2	NTS80X1300	441	435,5	NTC80X1300	520	475	NDK80	M42	681	SNS3180-H-D
NFR540/16	4	NTS72X1300	381	375,5	NTC72X1300	460	415	NDK72	M30	356	SNS3072-H-D
NFR540/16	4	NTS72X1307	381	375,5	NTC72X1307	460	415	NDK72	M30	356	SNS3072-H-D
NFR600/10	2	NTS72X1307	411	405,5	NTC72X1307	490	445	NDK72	M36	498	SNS3172-H-D
NFR650/10	2	NTS80X1307	441	435,5	NTC80X1307	520	475	NDK80	M42	675	SNS3272-H-D
NFR650/25	2	NTS80X1308	441	435,5	NTC80X1308	520	475	NDK80	M42	681	SNS3180-H-D
NFR540/16	4	NTS72X1308	381	375,5	NTC72X1308	460	415	NDK72	M30	356	SNS3072-H-D
NFR600/10	2	NTS72X1308	411	405,5	NTC72X1308	490	445	NDK72	M36	498	SNS3172-H-D
NFR650/10	2	NTS80X1308	441	435,5	NTC80X1308	520	475	NDK80	M42	675	SNS3272-H-D
NFR650/10	2	NTS80X1308	441	435,5	NTC80X1308	520	475	NDK80	M42	675	SNS3272-H-D
NFR560/22,5	2	NTS76X1315	411	405,5	NTC76X1315	490	445	NDK76	M30	481	SNS3076-H-D
NFR620/10	2	NTS76X1315	411	405,5	NTC76X1315	490	445	NDK76	M36	534	SNS3176-H-D
NFR680/10	2	NTS92X1315	471	465,5	NTC92X1315	550	505	NDK92	M42	841	SNS3276-H-D
NFR560/22,5	2	NTS76X1400	411	405,5	NTC76X1400	490	445	NDK76	M30	481	SNS3076-H-D
NFR560/22,5	2	NTS76X1400	411	405,5	NTC76X1400	490	445	NDK76	M30	481	SNS3076-H-D
NFR620/10	2	NTS76X1400	411	405,5	NTC76X1400	490	445	NDK76	M36	534	SNS3176-H-D
NFR620/10	2	NTS76X1400	411	405,5	NTC76X1400	490	445	NDK76	M36	534	SNS3176-H-D
NFR680/10	2	NTS92X1400	471	465,5	NTC92X1400	550	505	NDK92	M42	841	SNS3276-H-D
NFR600/22	2	NTS80X1500	411	405,5	NTC80X1500	490	445	NDK80	M36	489	SNS3080-H-D
NFR650/10	2	NTS80X1500	441	435,5	NTC80X1500	520	475	NDK80	M42	681	SNS3180-H-D
NFR650/10	2	NTS80X1500	441	435,5	NTC80X1500	520	475	NDK80	M42	681	SNS3180-H-D
NFR720/10	2	NTS88X1500	471	465,5	NTC88X1500	550	505	NDK88	M42	895	SNS3280-H-D

Plummer block housings

SNS, split

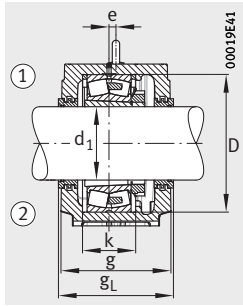
For spherical roller bearings with tapered bore and adapter sleeve
Inch size shaft



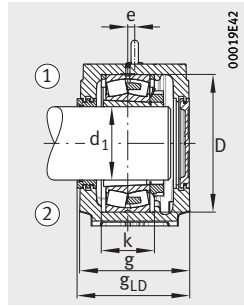
Dimension table (continued) · Dimensions in mm

Shaft d_1		Housing Dimensions														Spherical roller bearing and accessories	
		h	h_1	g	b	c	a	m	n	v	u	s	D	k	e	Bearing	Adapter sleeve
<i>inch</i>	<i>mm</i>																
15³/₄	400,050	360	715	400	360	120	1 040	870	220	50	42	M36	620	194	30	23084...-K	H3084X-HGX1512
15³/₄	400,050	410	810	460	420	130	1 170	1 000	260	60	48	M42	700	244	35	23184...-K	H3184-HGX1512
15³/₄	400,050	440	880	470	440	145	1 280	1 070	260	60	48	M42	760	292	35	23284...-K	H3284-HGX1512
16¹/₂	419,100	380	755	430	390	125	1 120	950	240	60	48	M42	650	200	30	23088...-K	H3088-HGX1608
16¹/₂	419,100	380	755	430	390	125	1 120	950	240	60	48	M42	650	200	30	230S.1608	–
16¹/₂	419,100	420	835	460	430	135	1 220	1 030	260	60	48	M42	720	246	35	23188...-K	H3188-HGX1608
16¹/₂	419,100	460	920	470	440	155	1 330	1 110	260	70	56	M48	790	300	35	23288...-K	H3288-HGX1608
17	431,800	410	810	460	420	130	1 170	1 000	260	60	48	M42	680	224	35	23092...-K	H3092-HGX1700
17	431,800	440	880	470	440	145	1 280	1 070	260	60	48	M42	760	260	35	23192...-K	H3192-HGX1700
18	457,200	410	810	460	420	130	1 170	1 000	260	60	48	M42	700	224	35	23096...-K	H3096-HGX1800
18	457,200	460	920	470	440	155	1 330	1 110	260	70	56	M48	790	268	35	23196...-K	H3196-HGX1800
18¹/₂	469,900	420	835	460	430	135	1 220	1 030	260	60	48	M42	720	226	35	230/500...-K	H30/500-HGX1808
19¹/₂	495,300	460	920	470	440	155	1 330	1 110	260	70	56	M48	780	248	35	230/530...-K	H30/530-HGX1908

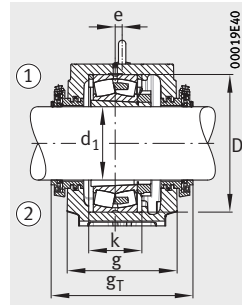
① Locating bearing. ② Non-locating bearing.



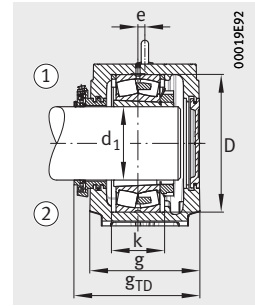
Labyrinth seal NTS



Labyrinth seal NTS
Cover NDK

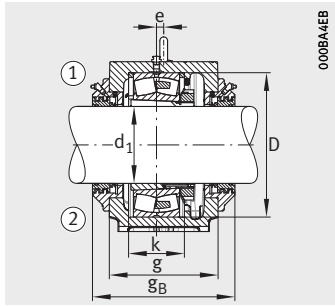


Taconite seal NTC

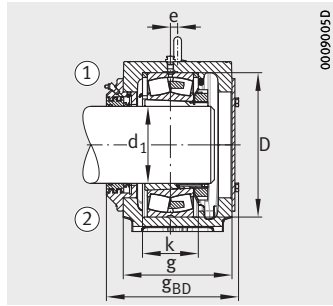


Taconite seal NTC
Cover NDK

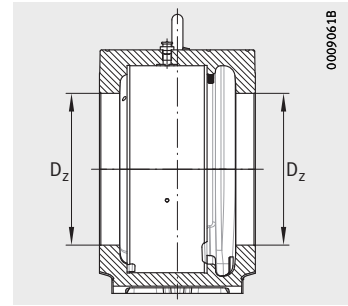
									Housing		
Locating ring		Labyrinth seal			Taconite seal			Cover	G	Mass m ≈ kg	Designation
	Quantity		gL mm	gL _D mm		g _T mm	g _{TD} mm				
NFR620/22	2	NTS84X1512	411	405,5	NTC84X1512	490	445	NDK84	M36	527	SNS3084-H-D
NFR700/10	2	NTS84X1512	471	465,5	NTC84X1512	550	505	NDK84	M42	821	SNS3184-H-D
NFR760/10	2	NTS92X1512	481	475,5	NTC92X1512	560	515	NDK92	M48	984	SNS3284-H-D
NFR650/21,5	2	NTS88X1608	441	435,5	NTC88X1608	520	475	NDK88	M42	672	SNS3088-H-D
NFR650/21,5	2	NTS88X1608	441	435,5	NTC88X1608	520	475	NDK88	M42	672	SNS3088-H-D
NFR720/10	2	NTS88X1608	471	465,5	NTC88X1608	550	505	NDK88	M42	895	SNS3188-H-D
NFR790/10	2	NTS96X1608	481	475,5	NTC96X1608	560	515	NDK96	M48	1 100	SNS3288-H-D
NFR680/30,5	2	NTS92X1700	471	465,5	NTC92X1700	550	505	NDK92	M42	849	SNS3092-H-D
NFR760/10	2	NTS92X1700	481	475,5	NTC92X1700	560	515	NDK92	M48	993	SNS3192-H-D
NFR700/29,5	2	NTS96X1800	471	465,5	NTC96X1800	550	505	NDK96	M42	806	SNS3096-H-D
NFR790/10	2	NTS96X1800	481	475,5	NTC96X1800	560	515	NDK96	M48	1 100	SNS3196-H-D
NFR720/29,5	2	NTS500X1808	471	465,5	NTC500X1808	550	505	NDK500	M42	895	SNS30/500-H-D
NFR780/31,5	2	NTS530X1908	481	475,5	NTC530X1908	560	515	NDK530	M48	1 100	SNS30/530-H-D



Bolt-on seal BTAC



Bolt-on seal BTAC
Cover BDK



						Housing			
Adapter sleeve	Locating ring		Bolt-on seal			Cover	G	Mass m ≈ kg	Designation
		Quantity		g _B mm	g _{BD} mm				
H3134(-HG)	NFR280/10	2	BTAC34	289	268	BDK34	M16	70	SNS3134-B-D
–	NFR280/10	2	BTAC34	289	268	BDK34	M16	70	SNS3134-B-D
H3136(-HG)	NFR300/10	2	BTAC36	296	275	BDK36	M16	78	SNS3136-B-D
–	NFR300/10	2	BTAC36	296	275	BDK36	M16	78	SNS3136-B-D
H3138(-HG)	NFR320/10	2	BTAC38	316	295	BDK38	M20	96	SNS3138-B-D
–	NFR320/10	2	BTAC38	316	295	BDK38	M20	96	SNS3138-B-D
H3140(-HG)	NFR340/10	2	BTAC40	336	315	BDK40	M20	123	SNS3140-B-D
–	NFR340/10	2	BTAC40	336	315	BDK40	M20	123	SNS3140-B-D
H3144X(-HG)	NFR370/10	2	BTAC44	348	327	BDK44	M20	137	SNS3144-B-D
–	NFR370/10	2	BTAC44	348	327	BDK44	M20	137	SNS3144-B-D
H3148X(-HG)	NFR400/10	2	BTAC48	378	353	BDK48	M24	173	SNS3148-B-D
–	NFR400/10	2	BTAC48	378	353	BDK48	M24	173	SNS3148-B-D
H3152X(-HG)	NFR440/10	2	BTAC52	392	365	BDK52	M24	226	SNS3152-B-D
–	NFR440/10	2	BTAC52	392	365	BDK52	M24	226	SNS3152-B-D
H3156X(-HG)	NFR460/10	2	BTAC56	392	365	BDK56	M24	252	SNS3156-B-D
–	NFR460/10	2	BTAC56	392	365	BDK56	M24	252	SNS3156-B-D
H3160(-HG)	NFR500/10	2	BTAC60	422	395	BDK60	M30	305	SNS3160-B-D
–	NFR500/10	2	BTAC60	422	395	BDK60	M30	305	SNS3160-B-D
H3164-HG	NFR540/10	2	BTAC64	442	415	BDK64	M30	354	SNS3164-B-D
–	NFR540/10	2	BTAC64	442	415	BDK64	M30	354	SNS3164-B-D
H3168-HG	NFR580/10	2	BTAC68	480	450	BDK68	M30	446	SNS3168-B-D
–	NFR580/10	2	BTAC68	480	450	BDK68	M30	446	SNS3168-B-D

DISTRIBUTED BY



chainanddrives.com.au

Wangara, WA

+61 8 9303 4966

support@chainanddrives.com.au

Welshpool, WA

+61 8 6314 1155

salesnsw@chainanddrives.com.au

Arndell Park, NSW

+61 2 9674 8611

All information has been carefully compiled and checked by us, but we cannot guarantee complete accuracy. We reserve the right to make corrections. Therefore, please always check whether more up-to-date or amended information is available. This publication supersedes all deviating information from older publications. Printing, including excerpts, is only permitted with our approval. © Schaeffler Technologies AG & Co. KG TPI 231 / 01 / en-GB / DE / 2021-08