

# Sprockets

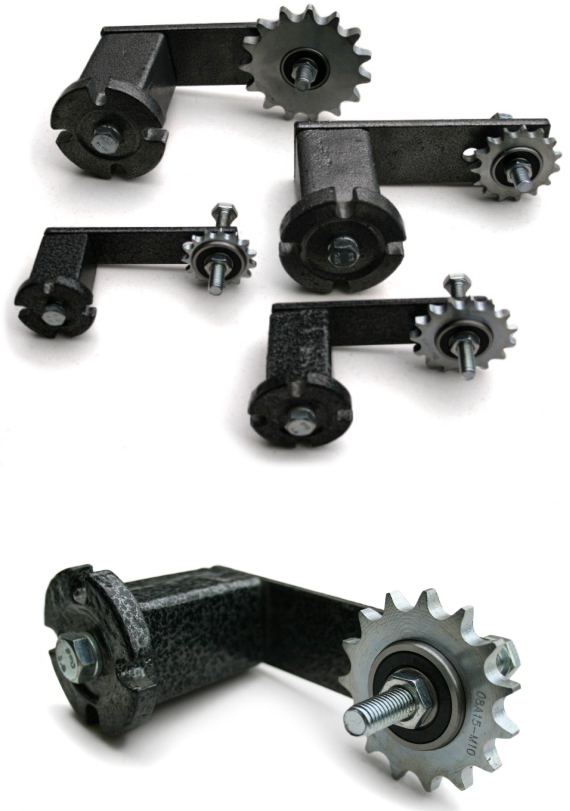
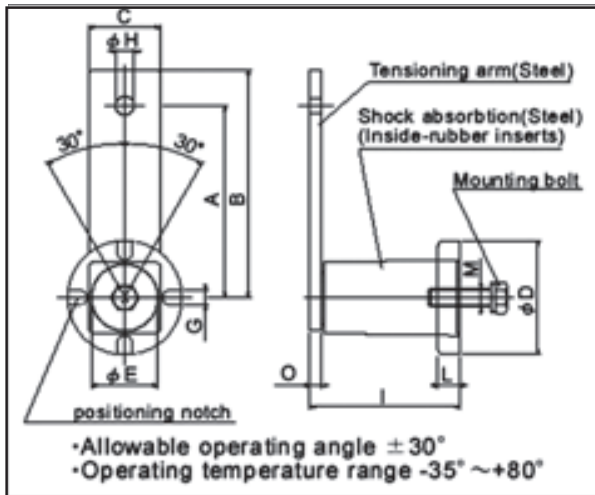
## Rubber Block Series Tensioner

TransDrive rubber block series tensioners are a proven and effective way for tensioning chain and belt drive in most applications. Properly tensioned drive ensure maximum service life and reduced maintenance issues.

### FEATURES/BENEFITS

- Interchangeable with existing leading brands
- Can be mounted in any position to provide tension to drives in almost any application
- Virtually maintenance free in most applications.
- Mounted via single bolt into the body of the main tensioner arm

Tensioner Arms		
Pt No	Rosta	Unit Price
GB15	SE15	TBC
GB18	SE18	TBC
GB27	SE27	TBC
GB38	SE38	TBC
GB45	SE45	TBC



Model	A	B	C	D	E	G	H	I	L	O	HW	Kgs
<b>GB15</b>	100	130	30	50	30	8.5	10.5	62	8	5	M10	0.48
<b>GB18</b>	100	133	35	60	36	9	10.5	75	10	6	M10	0.73
<b>GB27</b>	131	156	52	81	52	10	12	106	15	8	M12	2
<b>GB38</b>	175	205	65	102	69	13.5	20.5	138	15	10	M20	4.2
<b>GB45</b>	225	260	70	115	72	13.5	20.5	200	18	12	M20	7

Tensioner Arms						
Part No	Tensioner Arm	Teeth No	Chain	Bolt	Bearing	Unit Price
ID-06A15-M10	IDLER SPROCKET GB15 - GB18	15	06B-1	M10	6200-2RS	TBC
ID-08A15-M10	IDLER SPROCKET GB15 - GB18	15	08B-1	M10	6200-2RS	TBC
ID-08A15-M12	IDLER SPROCKET GB27	15	08B-1	M12	6301-2RS	TBC
ID-10A15-M12	IDLER SPROCKET GB27	15	10B-1	M12	6301-2RS	TBC
ID-10A15-M20	IDLER SPROCKET GB38	15	10B-1	M20	6304-2RS	TBC
ID-12A15-M12	IDLER SPROCKET GB27	15	12B-1	M12	6301-2RS	TBC
ID-12A15-M20	IDLER SPROCKET GB38	15	12B-1	M20	6304-2RS	TBC
ID-80A13-M20	IDLER SPROCKET GB38	13	80-1	M20	6304-2RS	TBC
ID-20A13-M20	IDLER SPROCKET GB45	13	20B-1	M20	6304-2RS	TBC

July 2009 Prices exclude GST & freight. Subject to change without notice