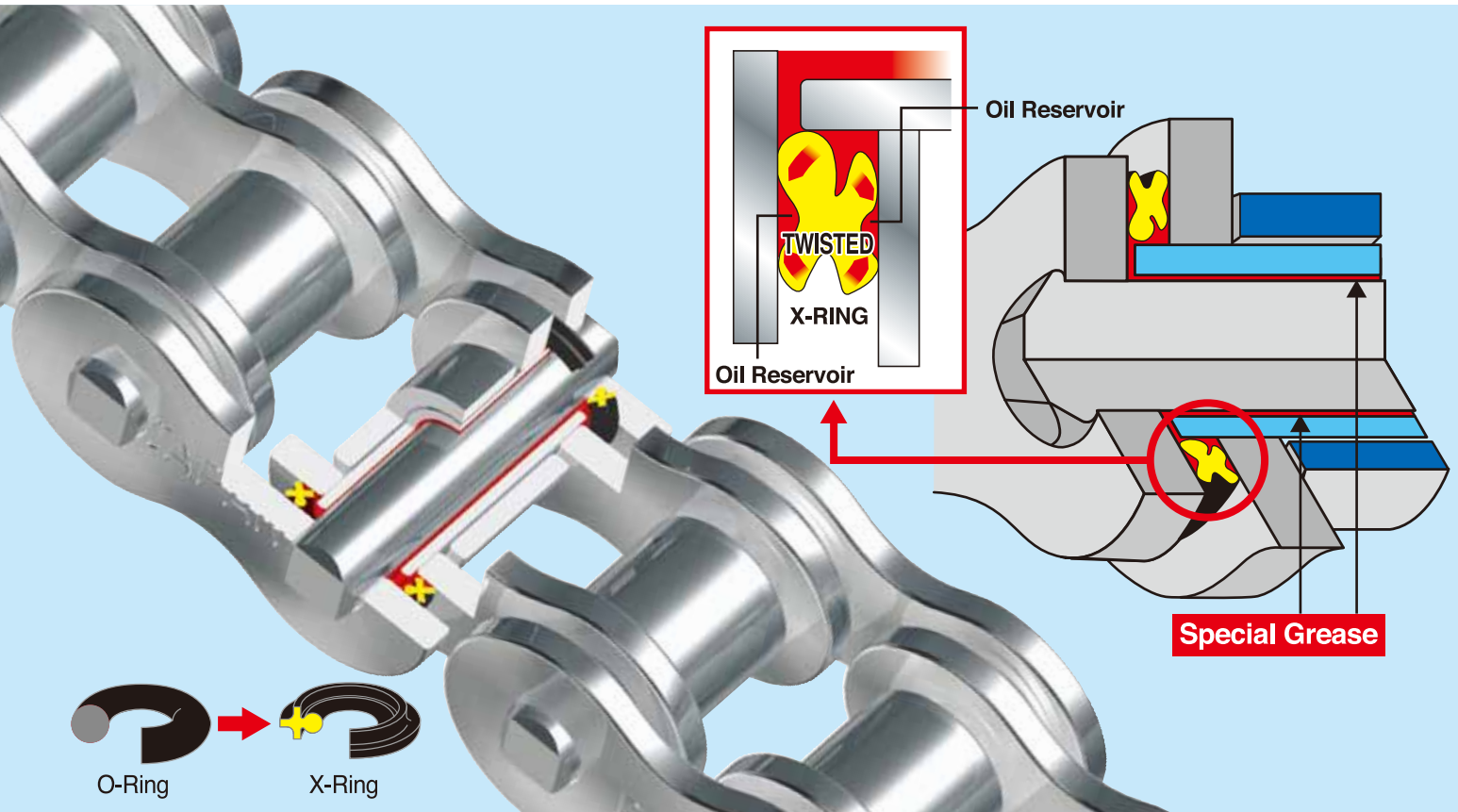


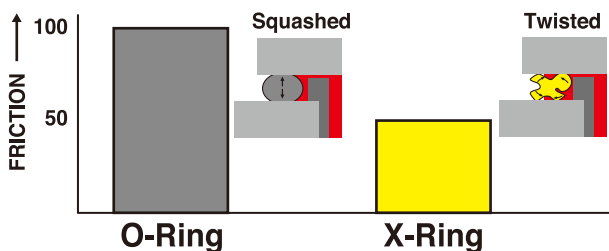


# D.I.D British Standard X-Ring Roller Chain Ultimate Life Chain Series

【DID 08BLX,50LX [10BLX],12BLX,16BLX】



## FRICITION CHART

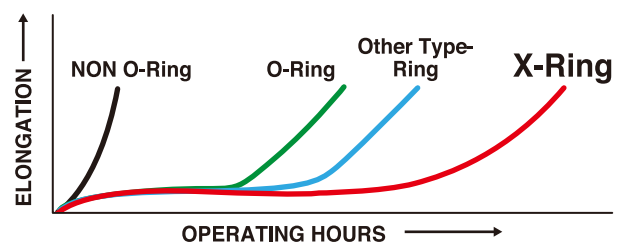


- **Lowest in Friction**

DID's X-ring construction reduce friction drastically by twisting the ring between side plates.

- **Less Vibration**
- **Reducing Noise**

## WEAR RESISTANCE CHART



- **Longest Chain Life Ever!**

Patented X-ring's outstanding grease sealing performance double the wear life compared to conventional sintered bushing chain.

- **Great Cost Saving**

Saving in operational and maintenance costs by increasing chain life.



# D.I.D British Standard X-Ring Roller Chain

[DID 08BLX,50LX [10BLX],12BLX,16BLX]



## Available Sizes

### Chain Size

#08B,#10B(#50),#12B & #16B

Size 50LX can be used as substitute for 10BLX

### Seal Ring Type

X-Ring

## Connecting Links & Offset Links

### Connecting links

Clearance fit/ Semi-Press fit Clip type

### Offset Links

2 Pitch Offset Link only

## Surface Treatment

Can be Nickel Plated.

## Sprocket

Single strand chain can be used on standard sprocket however multi-strands chain cannot be used on standard sprockets.

Sprocket with an extremely small number of teeth may not be applicable. Please contact us for detail.

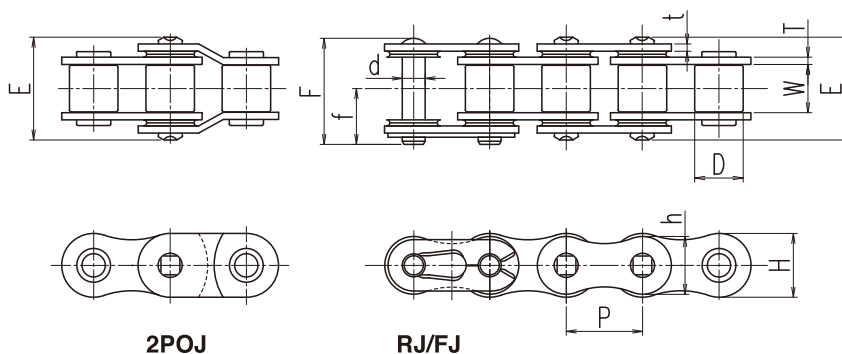
## Caution

Do not use seal chain in application where solvents or other substances may attack the X-Ring seal.

## Chain No. and Dimension

### Standard Connecting Links

Chain No.	Connecting Link		Offset Link
	Clearance fit	Interference fit	
DID 08BLX	RJ	FJ	2P OJ (2 pitch style only)
DID 50LX [10BLX]	RJ	FJ	
DID 12BLX	RJ	FJ	
DID 16BLX	RJ	FJ	



### Chain

Chain No.	Pitch	Inner link Inner width	Roller dia.	Pin				Plate				Min. Tensile strength	Max. allowable load	Approx. weight
	P	W	D	d	E	F	f	T	t	H	h	kN	kN	(kg/m)
DID 08BLX	12.7	7.75	8.51	4.45	18.75	19.55	10.28	1.5	1.5	11.9	10.4	17.20	3.92	0.76
DID 50LX [10BLX]	15.875	9.53	10.16	5.09	23.4	23.90	12.8	2.0	2.0	15.0	13.0	24.51	6.86	1.08
DID 12BLX	19.05	11.68	12.07	5.72	25.80	26.60	14.10	1.8	1.8	16.1	14.6	28.90	5.58	1.42
DID 16BLX	25.40	17.02	15.88	8.29	39.00	39.95	20.53	4.0	3.2	21.0	21.0	60.80	12.80	2.96

\*E of 16BLX 2POJ is 40.6.

\*50LX and 10BLX can be used on same sprockets.



**DAIDO KOGYO CO., LTD.**

Overseas Sales Div.  
Industrial Products Engineering & Sales Department  
3-5-4 Nihombashi Ningyo-cho Chuo-ku, Tokyo 103-0013, JAPAN  
Phone:+81-3-3808-0780, FAX:+81-3-5695-8122  
Website:www.did-cold.com/english

Distributed By :