

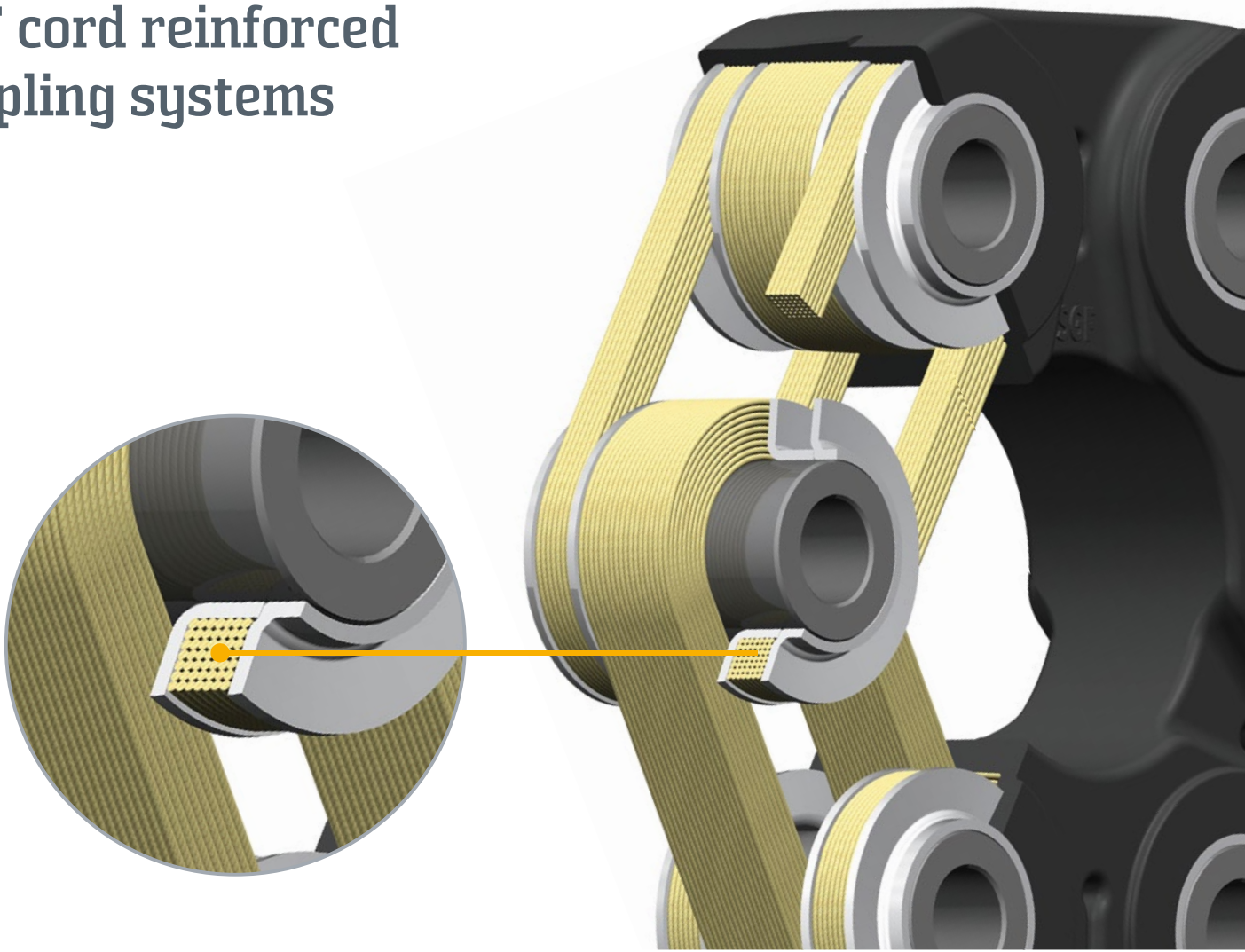


We make drive systems comfortable and reliable.



POWER > SPEED > TORQUE

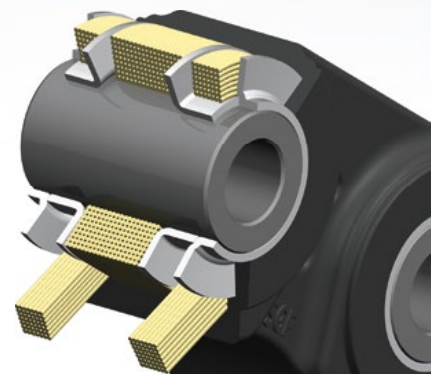
## SGF cord reinforced coupling systems



**SGFlex FLEXIBLE COUPLINGS** with Tenpu® fiber technology

# SGFlex FLEXIBLE COUPLINGS

Driveshaft couplings with Tenpu® fiber technology



## Properties

- » Compensation of radial, axial and angular misalignment
- » Damping of torque peaks in the drivetrain
- » Electrically insulating

## Benefits

- » Stiffness can be adjusted in all directions according to customer requirements
- » High power density due to power transmission via Tenpu® technology
- » Resistant to shock-type stresses

## Common Applications

- » For connecting combustion engines and generators in combined heating and power plants and power stations
- » As an elastic coupling in drivetrains such as vibrating screens and test beds
- » Skew compensation between the combustion engine and hydraulic pump in forklifts or work machines
- » As an elastic connecting element in mixers and agricultural machinery
- » For connecting the transmission and drive shaft in vehicle and ship drive systems

## TECHNICAL DATA

<b>Nominal torque</b>	100 Nm – 3200 Nm
<b>BCD Bolt circle diameter</b>	75 mm – 220 mm
<b>Outer diameter</b>	101 mm – 280 mm
<b>Width</b>	16 mm – 47 mm

### WA LOCATIONS

Unit 1 / 45 Inspiration Drive, Wangara WA 6065  
(08) 9303 4966

Unit 16 / 51-53 Kewdale Road, Welshpool WA 6106  
(08) 6314 1155

support@chainanddrives.com.au

### NSW LOCATION

Unit 7 / 70 Holbeche Road, Arndell Park NSW 2148  
(02) 9674 8611

salesnsw@chainanddrives.com.au



A Mechanical Equipment Group Company