

E-SAV SERIES

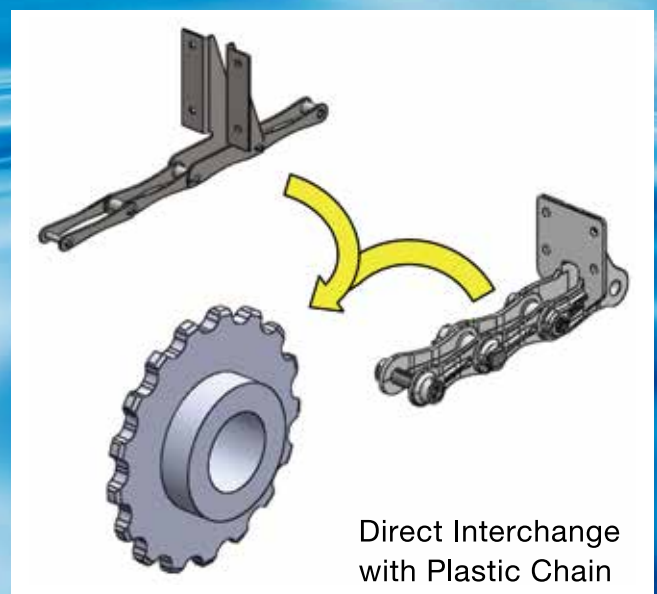
SAV705

Stainless Steel Chain



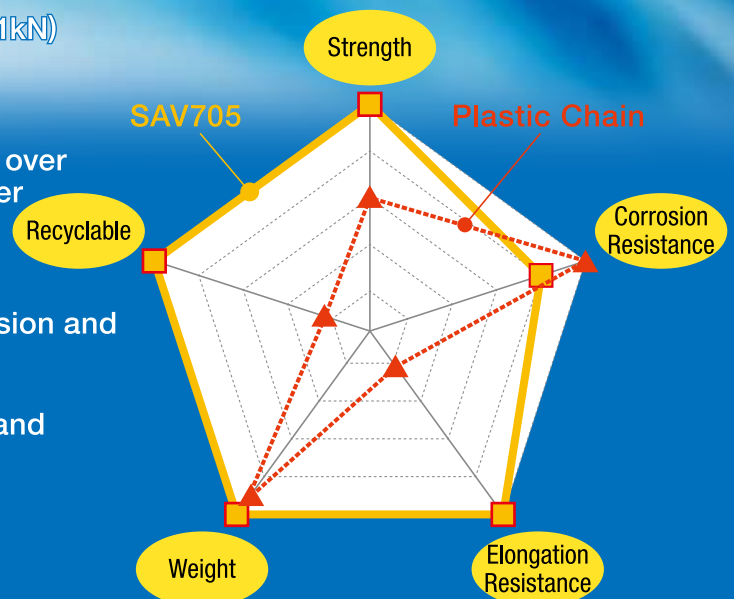
- Designed as an economical stainless steel chain
- Direct Interchange with Plastic Chain
- Light Weight offers easy installation, little maintenance

SAV705 chain was designed as an economical stainless steel chain alternative to plastic chain for rectangular clarifier usage. Maintaining the same materials and design as two chains is the SAV 705 chains ability to run on standard sprockets for plastic chain. No special modifications to the existing systems or tank layout is required.



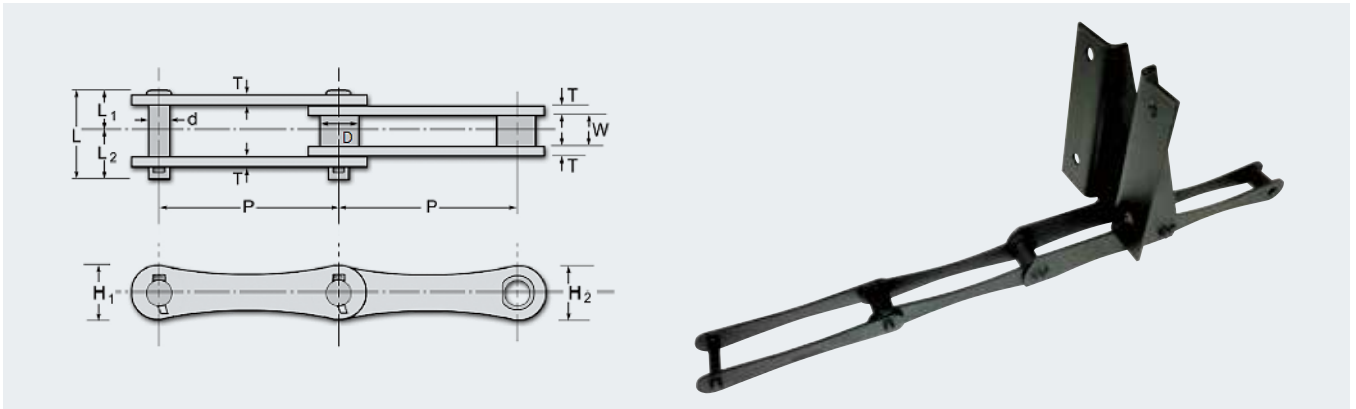
Key Features

- Average Ultimate Strength of 9,900 lbs.(44.1kN) makes the SAV 705 comparable to even high strength composite chains.
- The 400 class Stainless Steel material has over 20 years of proven experience in wastewater treatment applications.
- Special manufacturing processes provide a chain with unmatched resistance to abrasion and corrosion resulting extended service life.
- The light weight offers ease of installation and requires very little maintenance.
- SAV705 can be used with plastic, steel or cast iron sprockets.



ZEXUS CHAIN Co., Ltd.

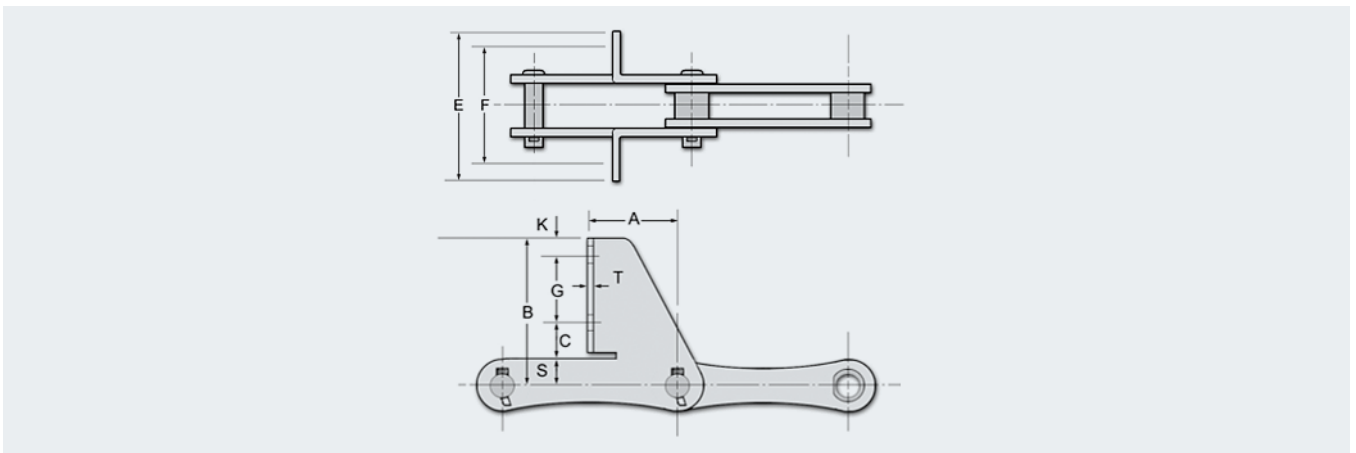
SAV 705 Stainless Steel Chain



Dimensions and Strength of SAV 705 Stainless Steel Chain

Unit length	Pitch P	Bush Dia. D	Inner Width W	Pin			Pin Link		Bush Link		Average Ultimate Strength	Weight	
				Dia. d	Length		Height H ₁	Thickness T	Height H ₂	Thickness T			
					L	L ₁							L ₂
(in.)	5.822	0.787	1.181	0.393	2.145	1.015	1.129	0.984	0.137	1.181	0.137	9,900lbs	1.3lbs/FT
(mm)	147.9	20	30	10	54.5	25.8	28.7	25	3.5	30	3.5	44.1kN	1.9kg/m

SAV 705 Attachment Link



Dimensions of SAV 705 Attachment Link

Attachment Part No.	Unit Length	Dimension									Added weight per attachment
		A	B	C	E	F	G	K	S	T	
F226/705	(in.)	2.913	6.1	1.688	5.5	3.75	2.625	0.783	1	0.137	1.8lbs
	(mm)	74	154.9	42.9	140	95.3	66.7	19.9	25.4	3.5	0.8kg
F228/705	(in.)	2.913	7.972	1.688	5.5	3.75	4.5	0.783	1	0.137	2.2lbs
	(mm)	74	202.5	42.9	140	95.3	114.3	19.9	25.4	3.5	1.0kg

ZEXUS CHAIN Co., Ltd.

<https://www.senqciachain.com/en/>
 Email:kokusai@senqcia.com

Head Office Moment Shiodome Building, 3-17, Higashi-Shimbashi 2-Chome,
 Minato-Ku, Tokyo 105-0021 Japan
 Phone: +81-3-4214-1921 Facsimile No: +81-3-3438-1076

MAXCO Chain Ltd.

1245 Kennestone Circle, Marietta, GA 30066, U.S.A.
 Phone: (770)424-9350 Facsimile: (770)424-9145

Distributor