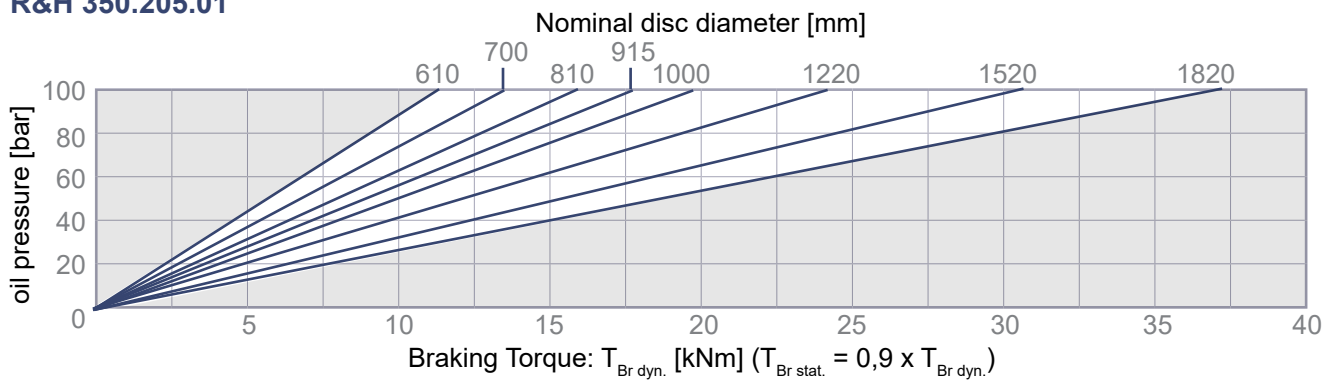
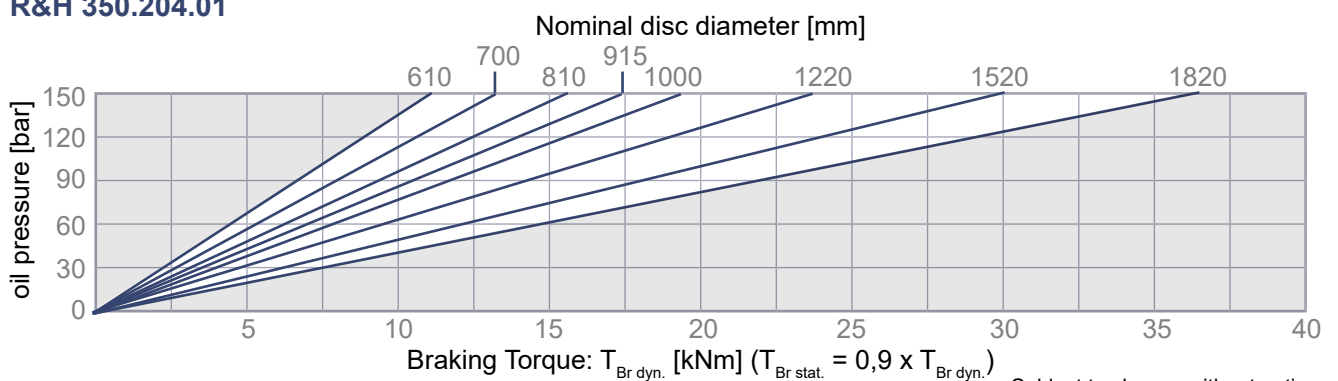


2D-drawing and dimensions see pg. 2

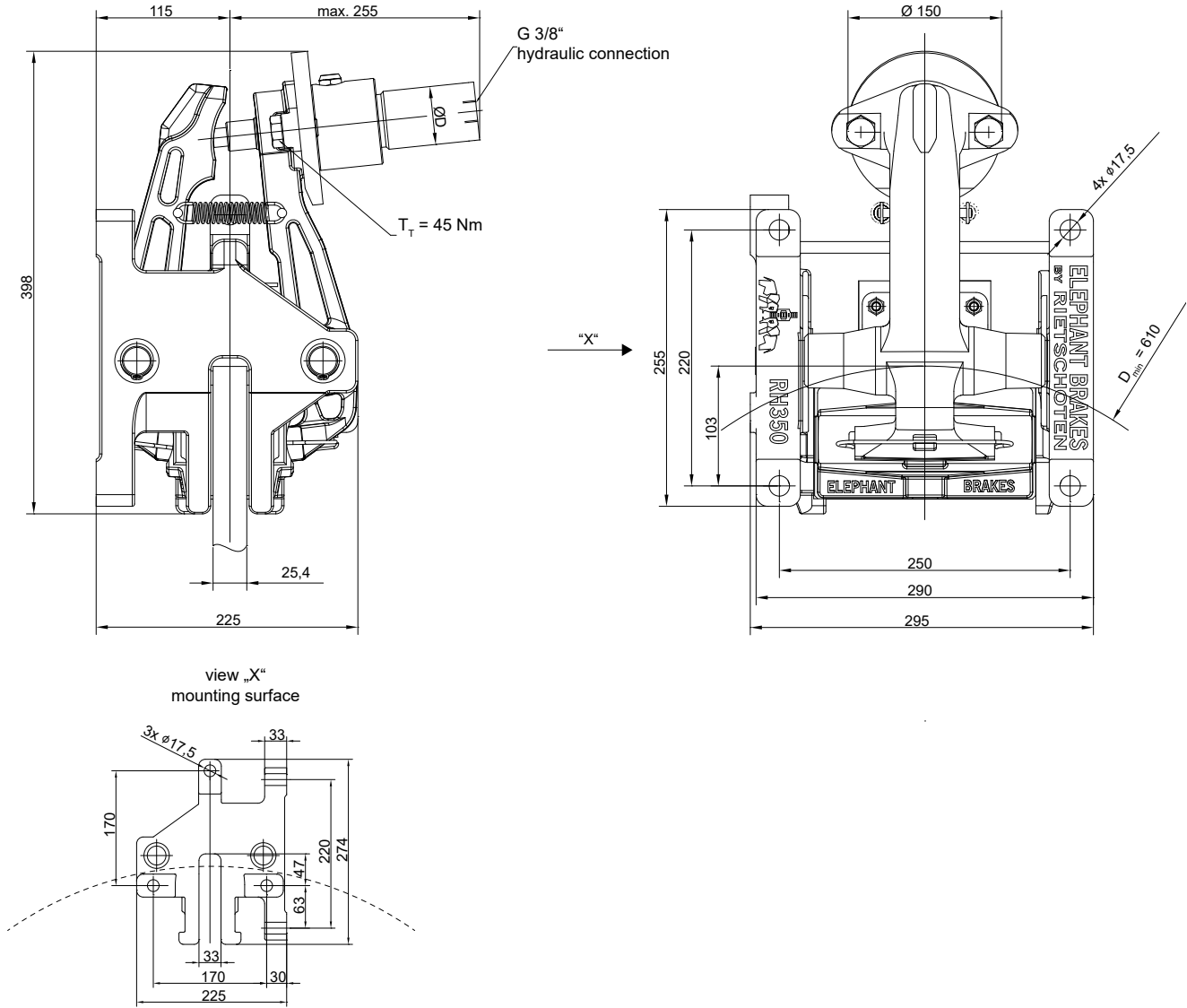
## R&H 350.205.01



## R&H 350.204.01



Subject to change without notice.



Mounting position is horizontal. Please get in touch if different.

A right hand mounted thruster is standard – left hand mounted please state with order.

| Type           | Part-No.     | D [mm] | p <sub>max</sub> | max. V / stroke [cm <sup>3</sup> ] | Mass [kg] |
|----------------|--------------|--------|------------------|------------------------------------|-----------|
| R&H 350.204.01 | <b>11228</b> | 50     | 150              | 90                                 | 48        |
| R&H 350.205.01 | <b>10451</b> | 60     | 100              | 140                                |           |

**For use with mineral oil.**

Subject to change without notice.

**Elephant Brakes by Rietschoten Germany. Strong like an elephant. Smart like an elephant.**

Deutsche van Rietschoten & Houwens GmbH · Junkersstraße 12 · 30179 Hannover · [www.elephantbrakes.com](http://www.elephantbrakes.com)