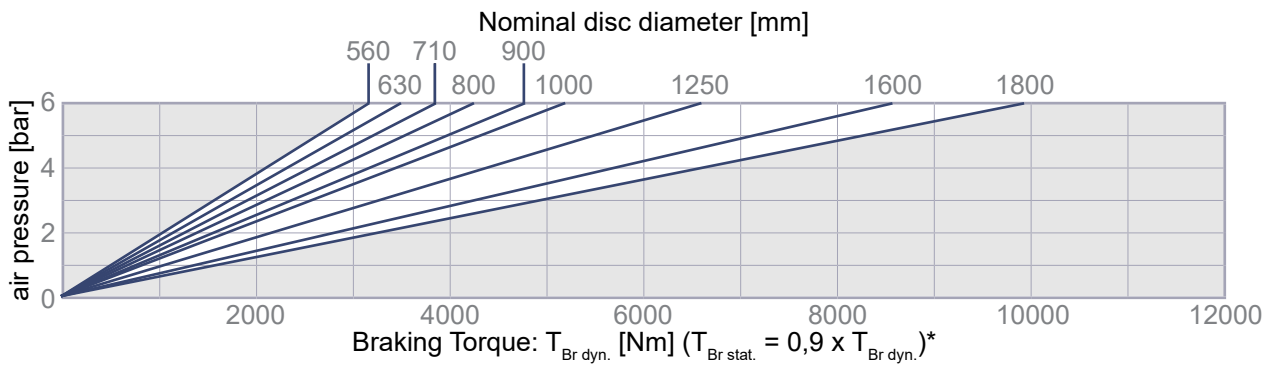
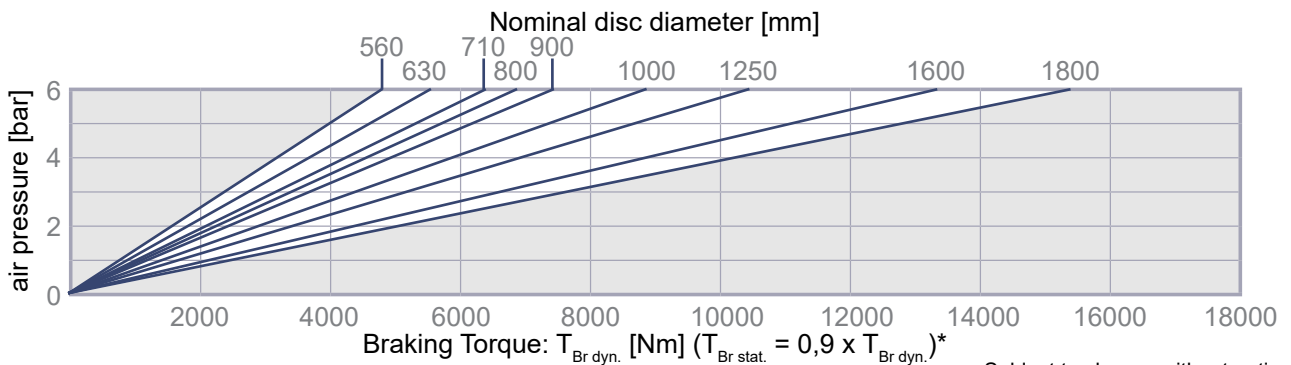


R&H 300.106.04 / R&H 300.106.04 short.

2D-drawing and dimensions see pg. 2

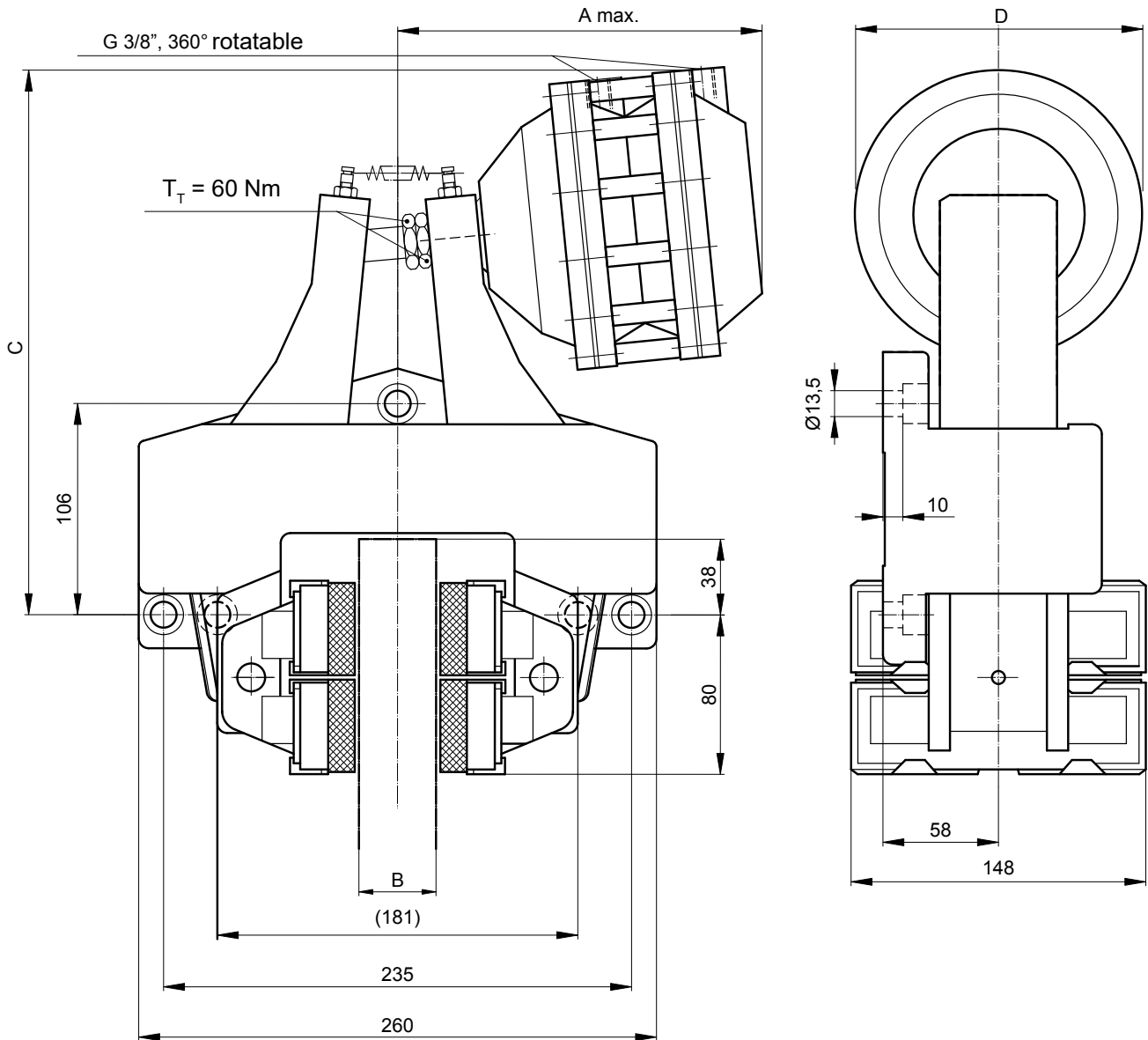


R&H 300.108.04 / R&H 300.108.04 short.



* using one chamber $T_{Br\ dyn.} \times 0,5$

Subject to change without notice.



Mounting position is horizontal. Please get in touch if different.

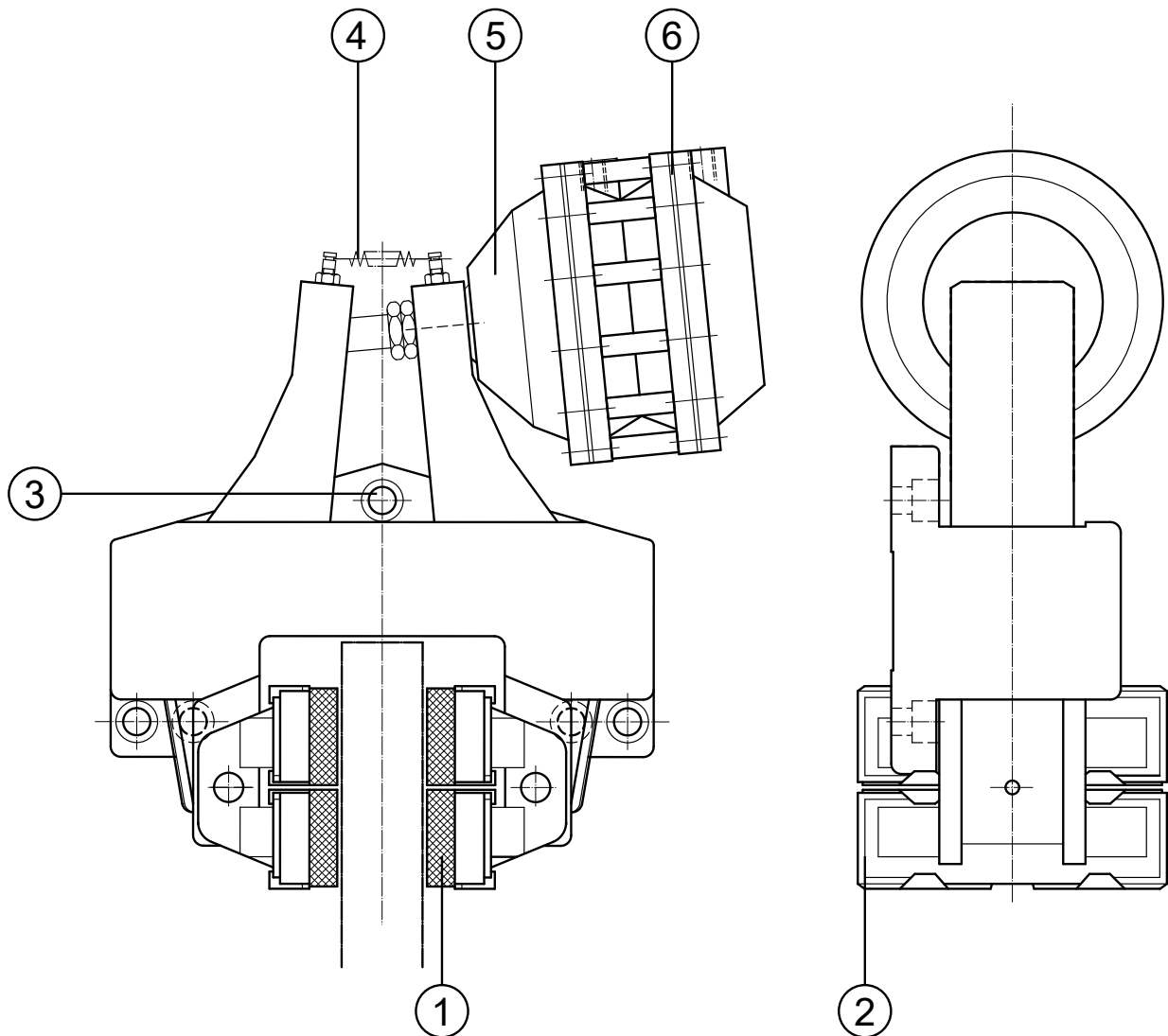
A right hand mounted thruster is standard – left hand mounted please state with order.

Type	Part-No.	A _{max.} [mm]	B [mm]	C [mm]	D [mm]	V / stroke [dm ³]	Mass [kg]
R&H 300.106.04	11765	220	30	264	144	0,30	24,5
R&H 300.106.04 short.	11766	210	38	274		0,30	
R&H 300.108.04	11767	225	30	284	180	0,42	26
R&H 300.108.04 short.	11768	215	38	294		0,42	

Subject to change without notice.

Elephant Brakes by Rietschoten Germany. Strong like an elephant. Smart like an elephant.

Deutsche van Rietschoten & Houwens GmbH · Junkersstraße 12 · 30179 Hannover · www.elephantbrakes.com



Item	Component	Quantity	Type			
			R&H 300.106.04	R&H 300.106.04 short.	R&H 300.108.04	R&H 300.108.04 short.
			Part-No.			
			11765	11766	11767	11768
1	Brake Pad	2	10775			
2	Retaining Spring	8	10268			
3	Torsion Spring	2	10273			
4	Tension Spring	2	10270			
5	Thruster	1	10115	10116	10336	12258
6	Diaphragm	2	10239		10240	

Subject to change without notice.