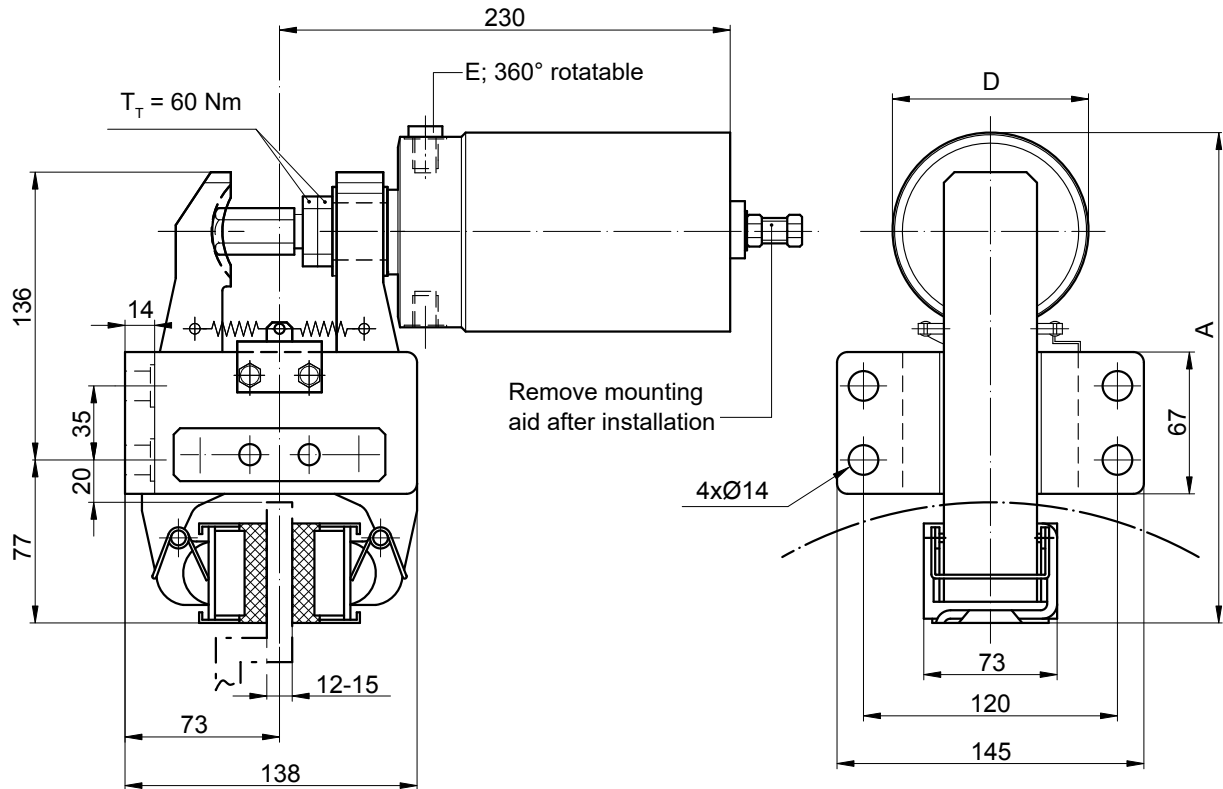


2D-drawing and dimensions see pg. 2

	Nominal disc diameter [mm]									
	250	300	350	400	460	515	610	710	810	915
	Braking Torque: $T_{Br\ dyn.}$ [Nm] ($T_{Br\ stat.} = 0,9 \times T_{Br\ dyn.}$)									
R&H 200.562.01	140	180	210	250	290	330	400	470	540	620
R&H 200.560.01	475	590	710	830	970	1100	1330	1565	1800	2050
R&H 200.550.01	625	780	940	1090	1280	1450	1750	2060	2370	2690
R&H 200.551.01	850	1070	1280	1490	1750	1990	2400	2830	3260	3700
R&H 200.552.01	1300	1620	1950	2270	2660	3020	3640	4290	4940	5620

Subject to change without notice.



Mounting position is horizontal. Please get in touch if different.

A right hand mounted actuator is standard – „flange side“ mounted please state with order.

Type	Part-No.	D [mm]	A [mm]	E	p _{min} [bar]	p _{max} [bar]	max. V / stroke [cm ³]	Mass [kg]
R&H 200.562.01	13597	80	227	G 1/8"	20	160	25	14
R&H 200.560.01	11294				40			
R&H 200.550.01	11291	95	234	G 1/4"	55			16
R&H 200.551.01	11292				65			
R&H 200.552.01	11293				100			

Subject to change without notice.