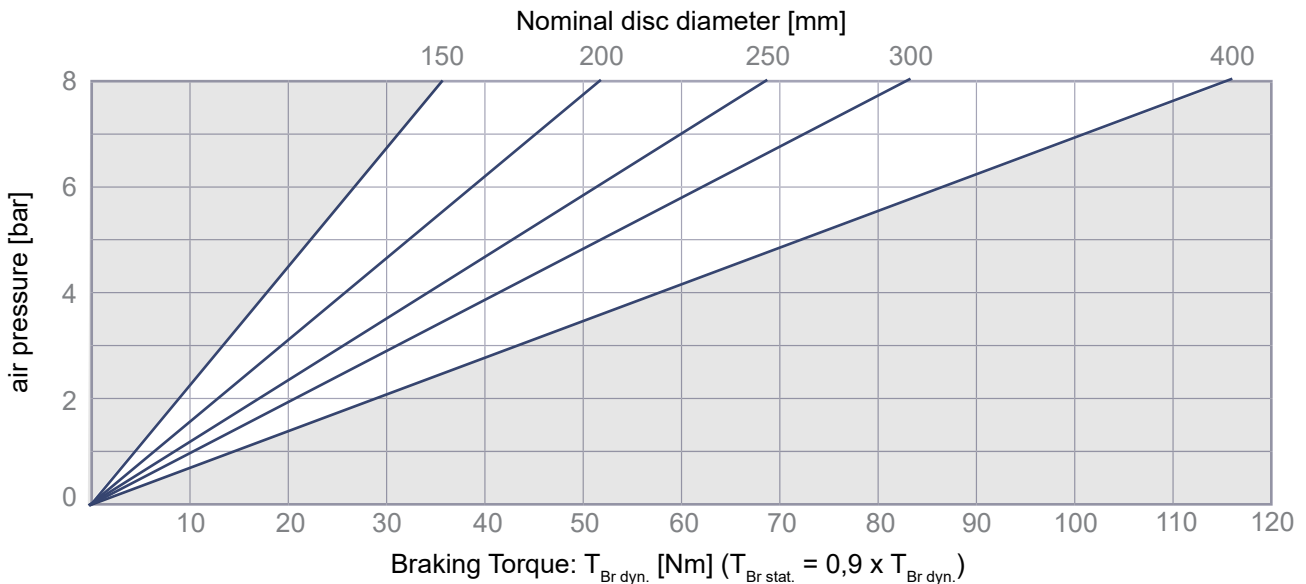


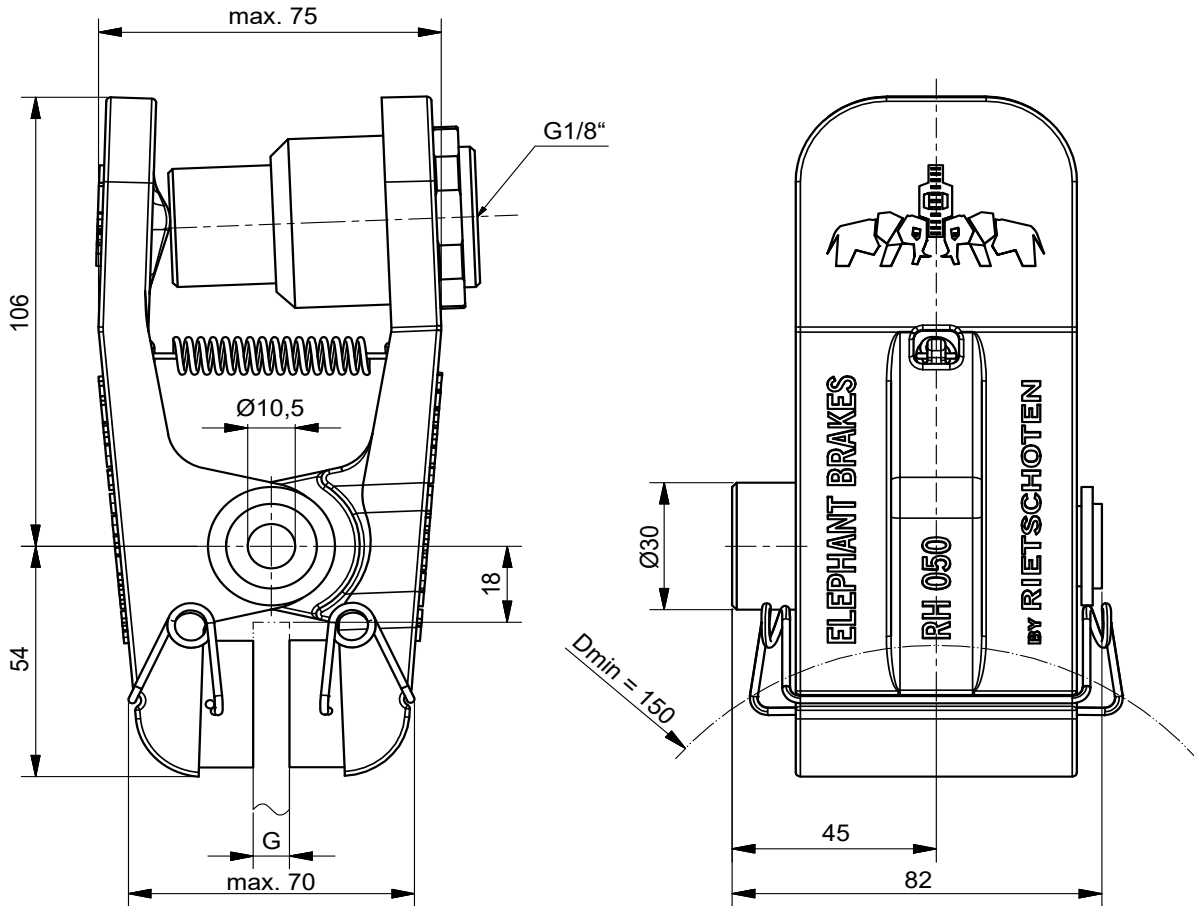
2D-drawing and dimensions see pg. 2



Mass: 1 kg

V / stroke: 0,02 dm³

Subject to change without notice.



Mounting position is horizontal. Please get in touch if different.

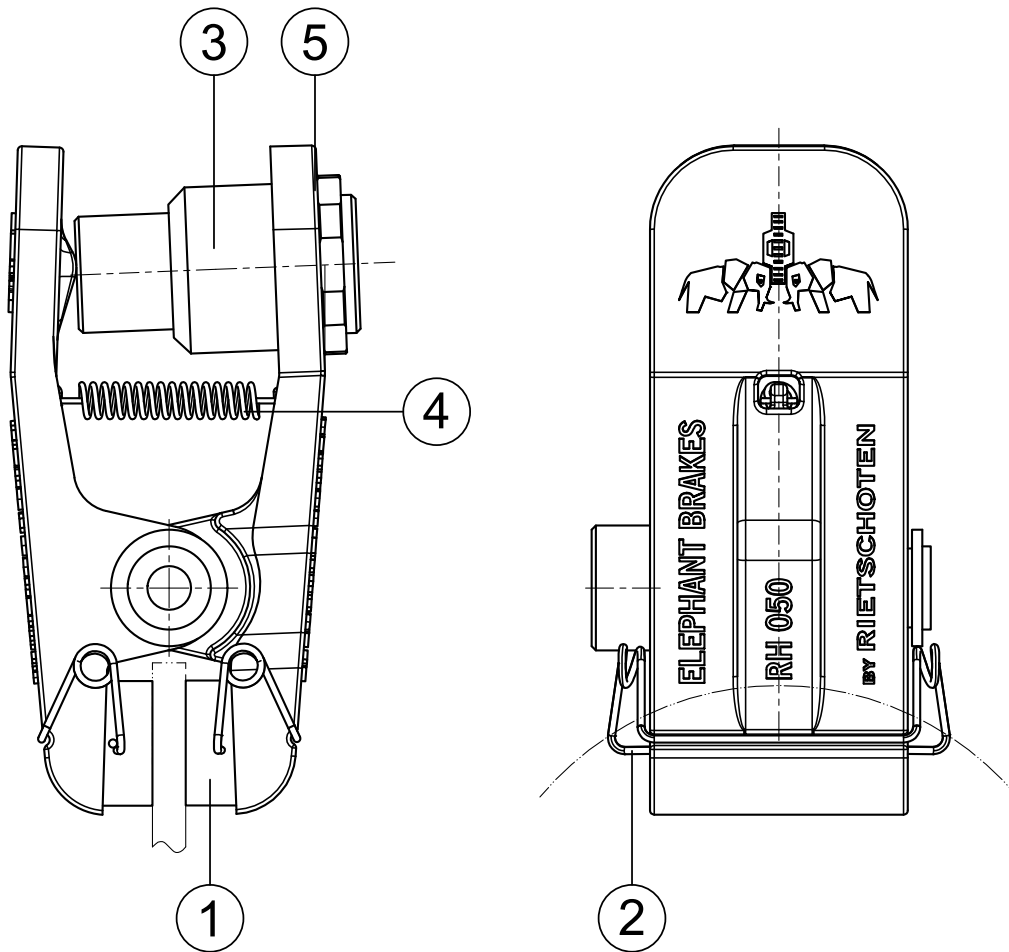
A right hand mounted thruster is standard – left hand mounted please state with order.

Type	Part-No.	G [mm]
R&H 051.100.08	12504	8
R&H 051.100.13	12934	12,7

Subject to change without notice.

Elephant Brakes by Rietschoten Germany. Strong like an elephant. Smart like an elephant.

Deutsche van Rietschoten & Houwens GmbH · Junkersstraße 12 · 30179 Hannover · www.elephantbrakes.com



Part-No. 12504 – R&H 051.100.08

Item	Component	Quantity	Part-No.
1	Brake Pad	2	10462
2	Retaining Spring	2	10269
3	Thruster	1	13102
4	Tension Spring	1	10271
5	Piston Seal	1	12936

Part-No. 12934 – R&H 051.100.13

Item	Component	Quantity	Part-No.
1	Brake Pad	2	10462
2	Retaining Spring	2	10269
3	Thruster	1	12414
4	Tension Spring	1	14571
5	Piston Seal	1	12936

Subject to change without notice.