

2D-drawing and dimensions see pg. 2

Nominal disc diameter [mm]					
150	200	250	300	400	460
Braking Torque: $T_{Br\ dyn.}$ [Nm] ( $T_{Br\ stat.} = 0,9 \times T_{Br\ dyn.}$ )					
60	80	110	130	180	210

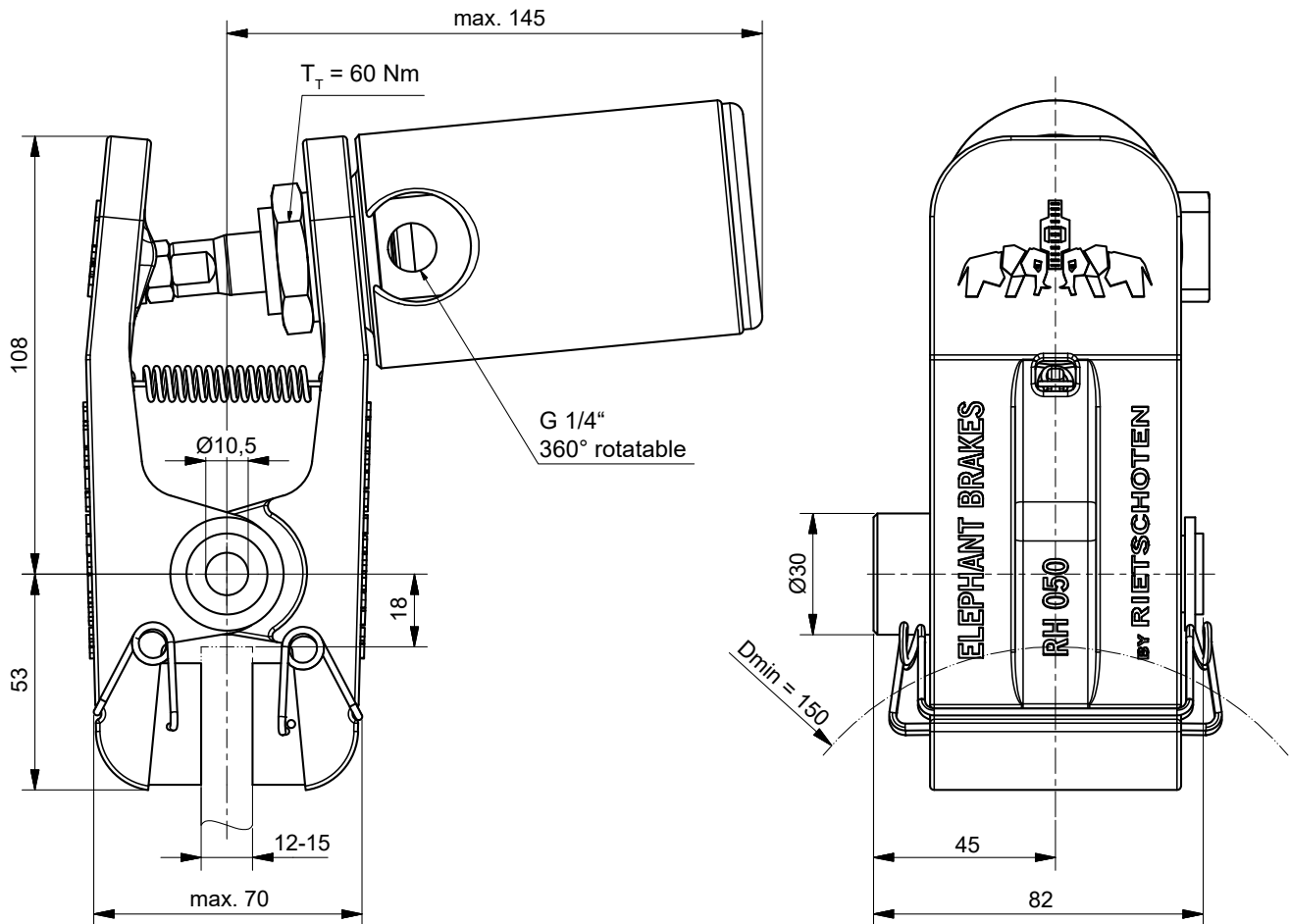
$p_{min}$ : 5 bar

$p_{max}$ : 8 bar

V / stroke: 0,015 dm<sup>3</sup>

Mass: 1,7 kg

Subject to change without notice.



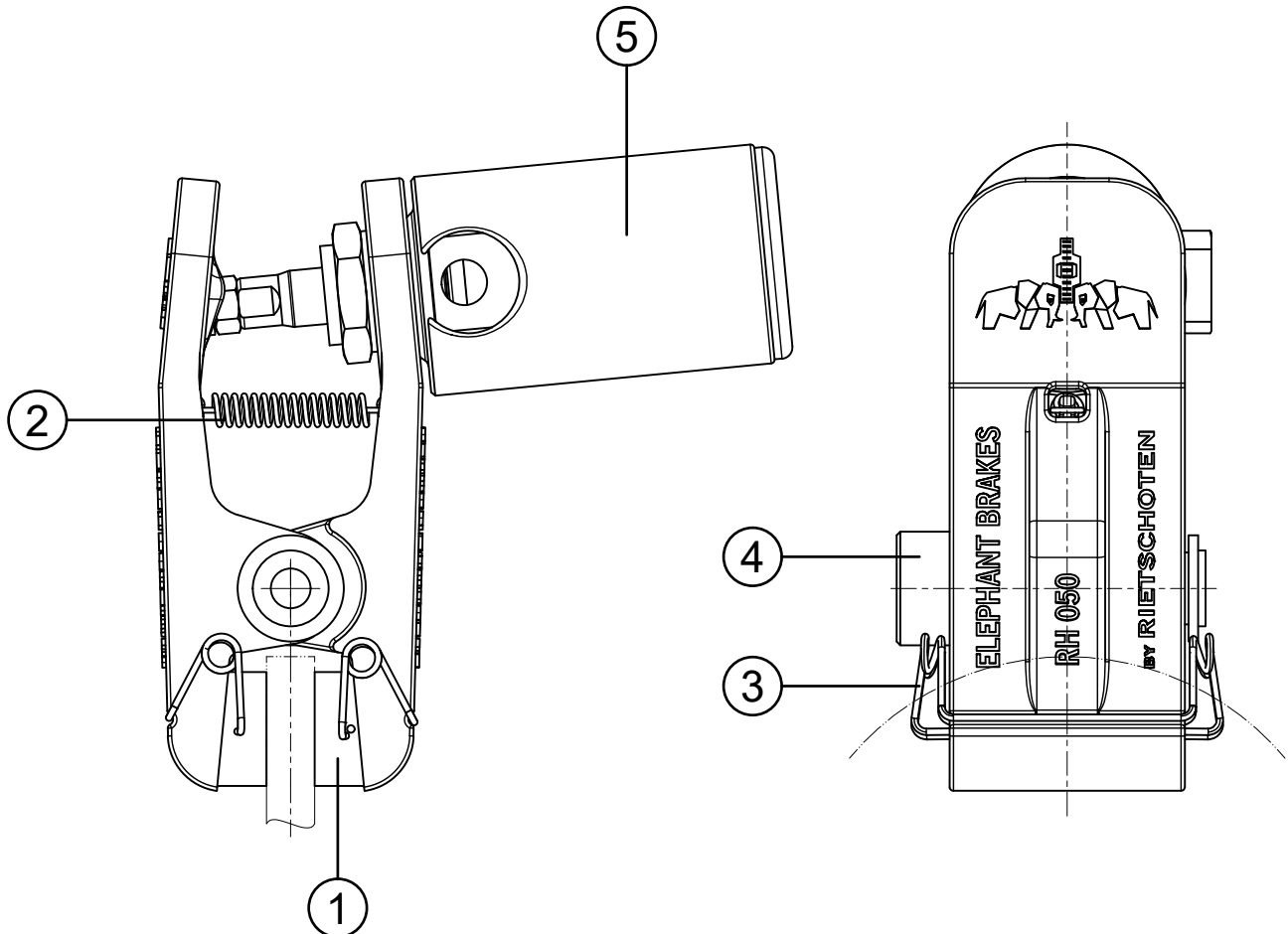
Mounting position is horizontal. Please get in touch if different.

A right hand mounted thruster is standard – left hand mounted please state with order.

Subject to change without notice.

**Elephant Brakes by Rietschoten Germany. Strong like an elephant. Smart like an elephant.**

Deutsche van Rietschoten & Houwens GmbH · Junkersstraße 12 · 30179 Hannover · [www.elephantbrakes.com](http://www.elephantbrakes.com)



Item	Component	Quantity	Part-No.
1	Brake Pad	2	10462
2	Tension Spring	1	14571
3	Retaining Spring	2	10269
4	Pin	1	60039
5	Thruster	1	12155

Subject to change without notice.

**Elephant Brakes by Rietschoten Germany. Strong like an elephant. Smart like an elephant.**

Deutsche van Rietschoten & Houwens GmbH · Junkersstraße 12 · 30179 Hannover · [www.elephantbrakes.com](http://www.elephantbrakes.com)