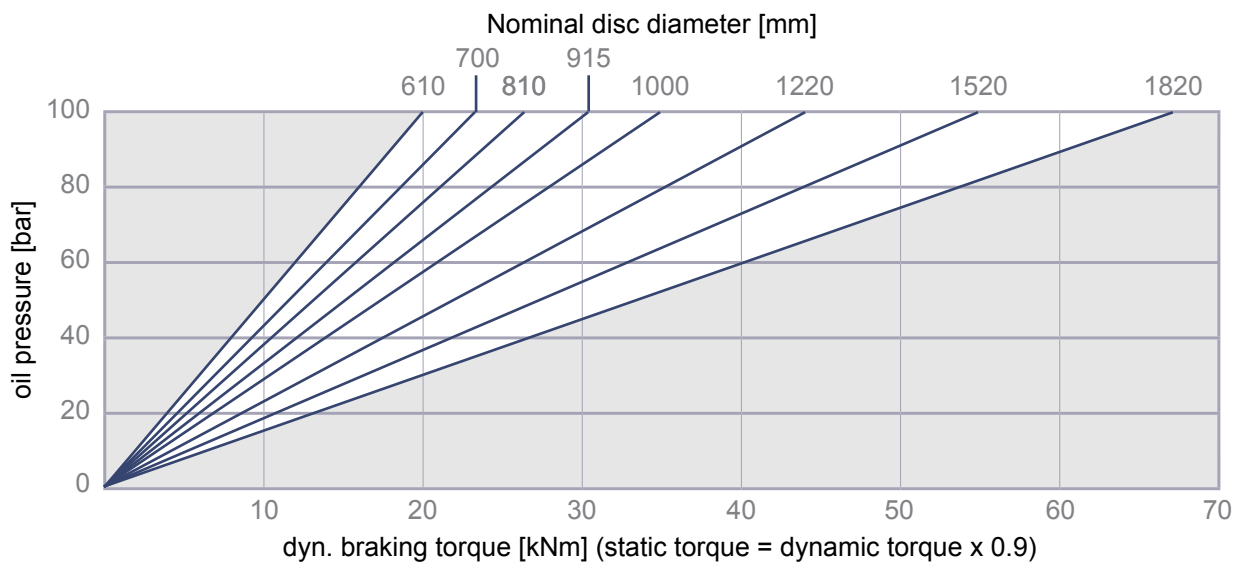




2D-drawing and dimensions see pg. 2

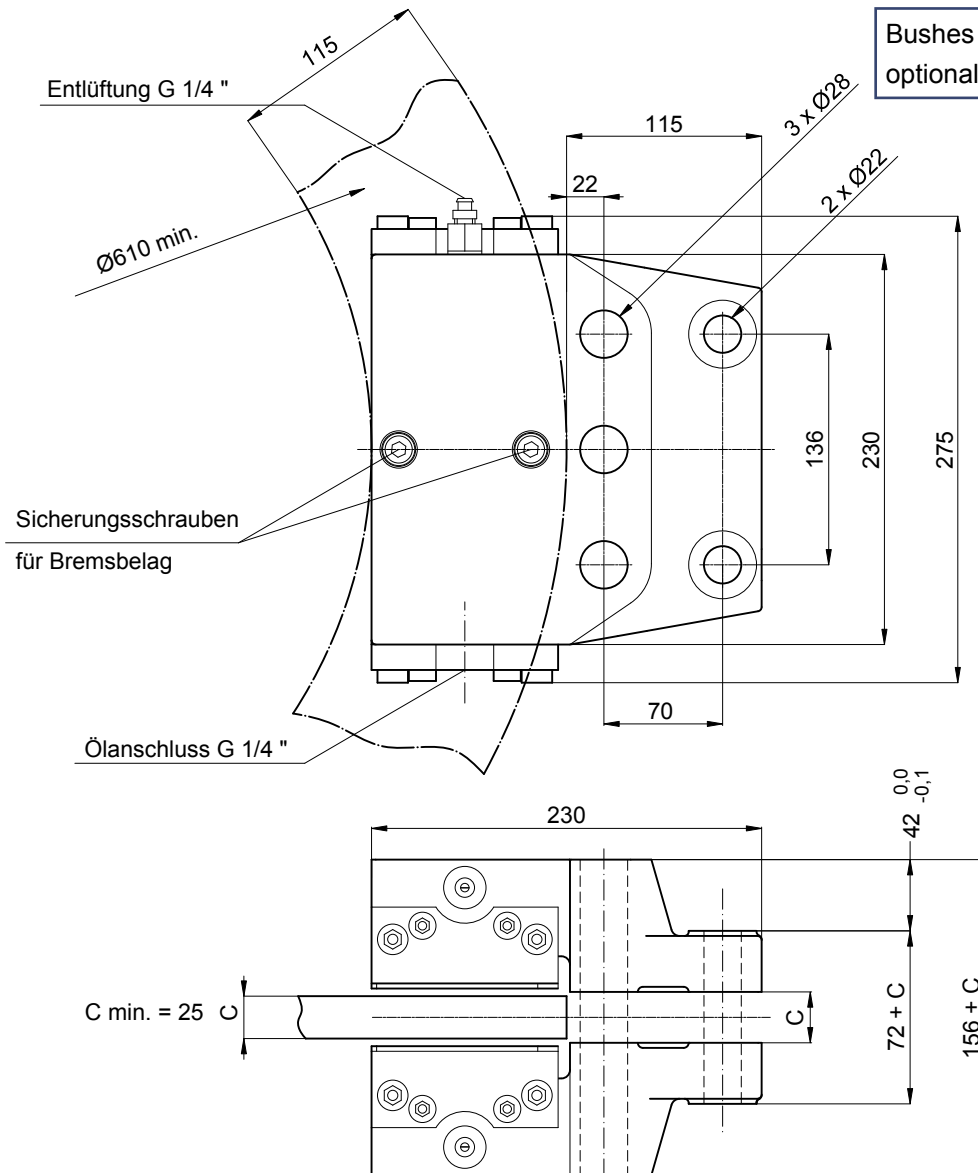


Mass: 48 kg

Subject to change without notice.

Elephant Brakes by Rietschoten Germany. Strong like an elephant. Smart like an elephant.

Deutsche van Rietschoten & Houwens GmbH · Junkersstraße 12 · 30179 Hannover · www.elephantbrakes.com

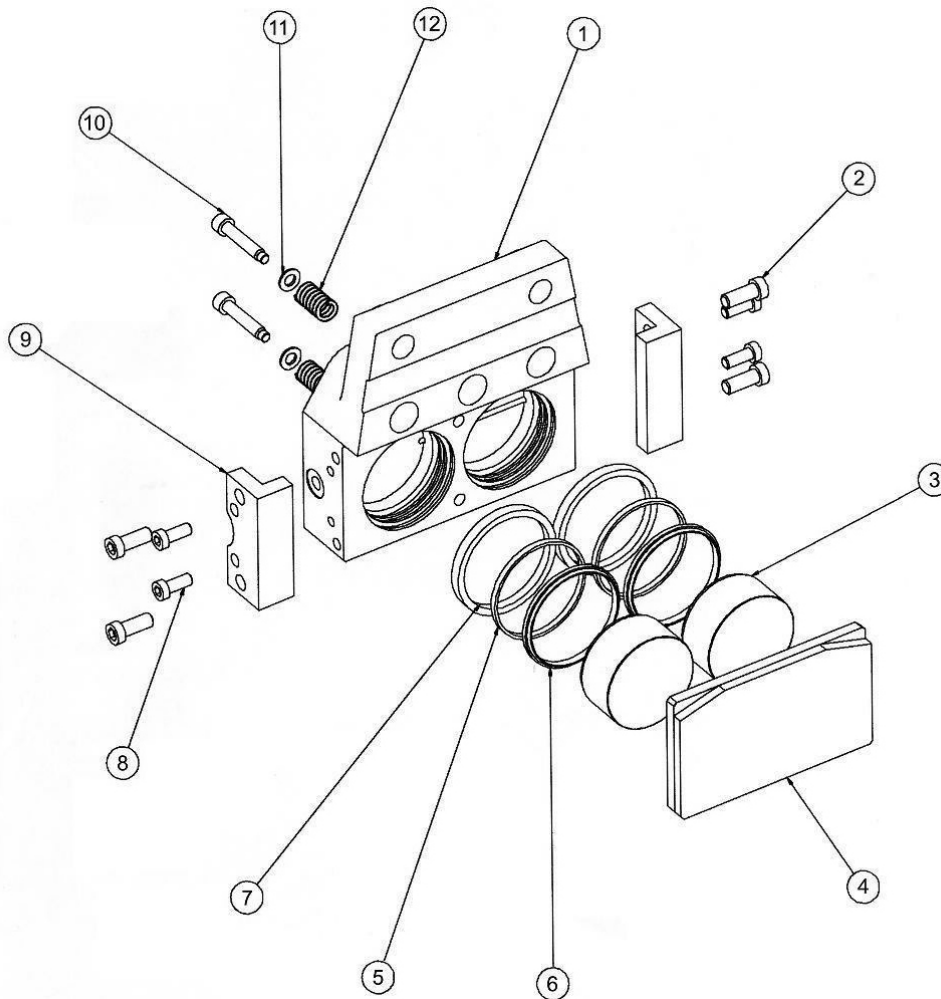


Bushes for side mounting available optionally – Part-No.: 13367

Fixing screws:
3 x M27 - 10.9;
2 x M20 - 10.9;
with hardened washers
according to DIN 6916

max. oil displacement per stroke: 200 cm³
Brake pad area: 408 cm² complete
max. operating pressure: 150 bar (100 bar at side mounting)

Subject to change without notice.



Item	Component	Quantity	Part-No.
1	Housing	2	11585-N
2	Cap screw, M12x30, DIN 6912	8	11660
3	Piston	4	11559
4	Brake pad	2	11665
5	Bearing ring	4	11664
6	Dust seal	4	11663
7	Piston seal	4	11662
8	Cap screw, M10x25, DIN 6912	8	11661
9	Retaining plate	4	11556
10	Cap screw	4	11667
11	Washer	4	11494
12	Compression spring	4	11666

Subject to change without notice.