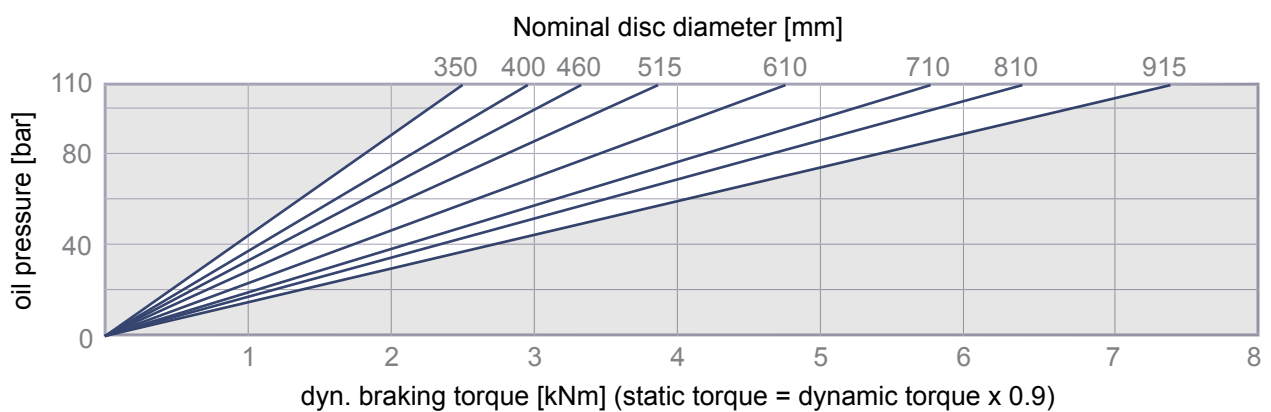
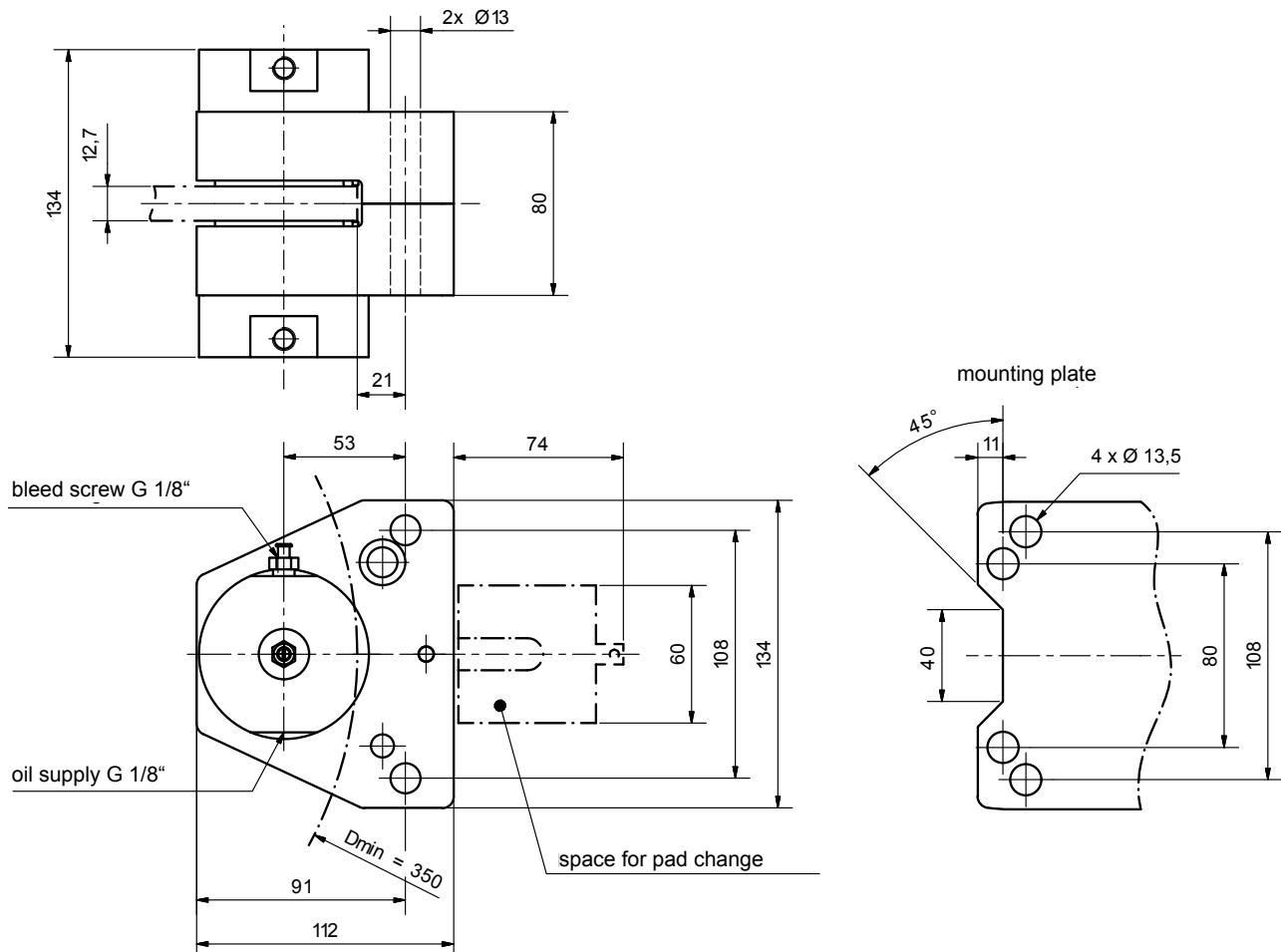


2D-drawing and dimensions see pg. 2



Subject to change without notice.



Retraction by means of spring force.

For use with mineral oil .

max. oil displacement per stroke: 30 cm<sup>3</sup>

brake pad area: 72 cm<sup>2</sup>

$p_{max.}$ : 110 bar

Mass: 6,5 kg

Subject to change without notice.