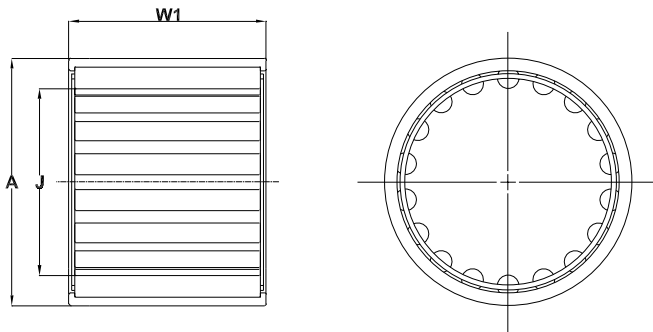


## Needle Roller Bearing



“PFI needle bearings are designed for maximum load capacity with the smallest possible cross-sectional area”



PFI part number	Notes	I.D. mm (J)	I.D. inch (J)	O.D. mm (A)	W1 mm	W2 mm	Cross reference		Standard packing quantity (SPQ)
F12470		48,00		55,00	19,00		JOHN DEERE	CQ08050	20
NB-1620	Inch size bore	25,40	1	33,34	31,75		JOHN DEERE	JD9840	20
NB-2012	Inch size bore	31,75	1 1/4	38,10	19,05		JOHN DEERE	JD9858	25

Comparative Cross References					
F12470		NB-1620		NB-2012	
INA	7100016100	INA	SCH1620	KOYO	B2012
INA	F-12470.HK-AM#S20	KOYO	BH-1620	NTN	DLC2012
		NSK	VSH1620	SKF	B2012
		TORRINGTON	BH-1620	TORRINGTON	B2012

**WA LOCATIONS**

Unit 1 / 45 Inspiration Drive, Wangara WA 6065  
(08) 9303 4966

Unit 16 / 51-53 Kewdale Road, Welshpool WA 6106  
(08) 6314 1155

support@chainanddrives.com.au

**NSW LOCATION**

Unit 7 / 70 Holbeche Road, Arndell Park NSW 2148  
(02) 9674 8611

salesnsw@chainanddrives.com.au



A Mechanical Equipment Group Company