



SYNOPSIS *SINOSSI*



| Dimension (mm) Dimensioni (mm) | | | Designation <i>Sigla</i> | Fig. |
|-----------------------------------|---|------|-----------------------------|------|
| d | D | B | | |
| 1 | 3 | 1 | F681 | 1 |
| 1 | 3 | 1 | 681 | 4 |
| 1 | 3 | 1,50 | MR31 | 4 |
| 1 | 4 | 1,60 | F691 | 1 |
| 1 | 4 | 1,60 | 691 | 4 |
| 1,20 | 4 | 1,80 | FM41X | 1 |
| 1,20 | 4 | 1,80 | MR41X | 4 |
| 1,20 | 4 | 2,50 | MR41X-ZZ | 6 |
| 1,50 | 4 | 1,20 | F681X | 1 |
| 1,50 | 4 | 1,20 | F681X-ZZ | 3 |
| 1,50 | 4 | 1,20 | 681X | 4 |
| 1,50 | 4 | 1,20 | 681X-ZZ | 4 |
| 1,50 | 5 | 2 | F691X | 1 |
| 1,50 | 5 | 2 | F691X-ZZ | 3 |
| 1,50 | 5 | 2 | 691X | 4 |
| 1,50 | 5 | 2 | 691X-ZZ | 4 |
| 1,50 | 6 | 2,50 | F601X | 1 |
| 1,50 | 6 | 2,50 | F601X-ZZ | 3 |
| 1,50 | 6 | 2,50 | 601X | 4 |
| 1,50 | 6 | 2,50 | 601X-ZZ | 4 |
| 2 | 5 | 1,50 | F682 | 1 |
| 2 | 5 | 1,50 | F682-ZZ | 3 |
| 2 | 5 | 1,50 | 682 | 4 |
| 2 | 5 | 1,50 | 682-ZZ | 4 |
| 2 | 5 | 2 | MF52 | 1 |
| 2 | 5 | 2 | MF52-ZZ | 3 |
| 2 | 5 | 2 | MR52 | 4 |
| 2 | 5 | 2,50 | MR52-ZZ | 6 |
| 2 | 6 | 2,30 | F692 | 1 |
| 2 | 6 | 2,30 | F692-ZZ | 3 |
| 2 | 6 | 2,30 | 692 | 4 |
| 2 | 6 | 2,30 | 692-ZZ | 4 |
| 2 | 6 | 2,50 | MF62 | 1 |
| 2 | 6 | 2,50 | MF62-ZZ | 3 |
| 2 | 6 | 2,50 | MR62 | 4 |
| 2 | 6 | 2,50 | MR62-ZZ | 6 |
| 2 | 7 | 2,50 | MF72 | 1 |
| 2 | 7 | 2,50 | MF72-ZZ | 3 |
| 2 | 7 | 2,50 | MR72 | 4 |
| 2 | 7 | 3 | MR72-ZZ | 6 |
| 2 | 7 | 2,80 | F602 | 1 |
| 2 | 7 | 2,80 | F602-ZZ | 3 |
| 2 | 7 | 2,80 | 602 | 4 |
| 2 | 7 | 2,80 | 602-ZZ | 4 |
| 2,50 | 6 | 1,80 | F682X | 1 |
| 2,50 | 6 | 1,80 | F682X-ZZ | 3 |
| 2,50 | 6 | 1,80 | 682X | 4 |
| 2,50 | 6 | 1,80 | 682X-ZZ | 4 |
| 2,50 | 7 | 2,50 | F692X | 1 |
| 2,50 | 7 | 2,50 | F692X-ZZ | 3 |
| 2,50 | 7 | 2,50 | 692X | 4 |
| 2,50 | 7 | 2,50 | 692X-ZZ | 4 |
| 2,50 | 8 | 2,50 | MF82X | 1 |
| 2,50 | 8 | 2,50 | MF82X-ZZ | 3 |
| 2,50 | 8 | 2,50 | MR82X | 4 |
| 2,50 | 8 | 2,50 | MR82X-ZZ | 6 |

| Dimension (mm) Dimensioni (mm) | | | Designation <i>Sigla</i> | Fig. |
|-----------------------------------|----|------|-----------------------------|------|
| d | D | B | | |
| 2,50 | 8 | 2,80 | F602X | 1 |
| 2,50 | 8 | 2,80 | F602X-ZZ | 3 |
| 2,50 | 8 | 2,80 | 602X | 4 |
| 2,50 | 8 | 2,80 | 602X-ZZ | 4 |
| 3 | 6 | 2 | MF63 | 1 |
| 3 | 6 | 2 | MF63-ZZ | 3 |
| 3 | 6 | 2 | MR63 | 4 |
| 3 | 6 | 2 | MR63-ZZ | 6 |
| 3 | 7 | 2 | F683 | 1 |
| 3 | 7 | 2 | F683-ZZ | 3 |
| 3 | 7 | 2 | 683 | 4 |
| 3 | 7 | 2 | 683-ZZ | 4 |
| 3 | 8 | 2,50 | MF83 | 1 |
| 3 | 8 | 2,50 | MF83-ZZ | 3 |
| 3 | 8 | 2,50 | MR83 | 4 |
| 3 | 8 | 3 | MR83-ZZ | 6 |
| 3 | 8 | 3 | F693 | 1 |
| 3 | 8 | 3 | F693-ZZ | 3 |
| 3 | 8 | 3 | 693 | 4 |
| 3 | 8 | 3 | 693-ZZ | 4 |
| 3 | 8 | 3,50 | BA 3 | 51 |
| 3 | 9 | 2,50 | MF93 | 1 |
| 3 | 9 | 2,50 | MF93-ZZ | 3 |
| 3 | 9 | 2,50 | ME93 | 4 |
| 3 | 9 | 2,50 | ME93-ZZ | 4 |
| 3 | 9 | 3 | F603 | 1 |
| 3 | 9 | 3 | F603-ZZ | 3 |
| 3 | 9 | 3 | 603 | 4 |
| 3 | 9 | 3 | 603-ZZ | 4 |
| 3 | 10 | 4 | F623 | 1 |
| 3 | 10 | 4 | F623-ZZ | 3 |
| 3 | 10 | 4 | 623 | 4 |
| 3 | 10 | 4 | 623-Z | 5 |
| 3 | 10 | 4 | 623-ZZ | 6 |
| 3 | 10 | 4 | 623-2RS | 7 |
| 3 | 10 | 4 | 623-RS | 8 |
| 3 | 13 | 5 | 633 | 4 |
| 3 | 13 | 5 | 633-ZZ | 4 |
| 4 | 7 | 2 | MF74 | 1 |
| 4 | 7 | 2 | MF74-ZZ | 3 |
| 4 | 7 | 2 | MR74 | 4 |
| 4 | 7 | 2,50 | MR74-ZZ | 6 |
| 4 | 8 | 2 | MF84 | 1 |
| 4 | 8 | 2 | MF84-ZZ | 3 |
| 4 | 8 | 2 | MR84 | 4 |
| 4 | 8 | 3 | MR84-ZZ | 6 |
| 4 | 9 | 2,50 | F684 | 1 |
| 4 | 9 | 2,50 | F684-ZZ | 3 |
| 4 | 9 | 2,50 | 618/4 | 4 |
| 4 | 9 | 2,50 | 684 | 4 |
| 4 | 9 | 2,50 | 684--ZZ | 4 |
| 4 | 9 | 3,50 | 628/4-ZZ | 6 |
| 4 | 9 | 4 | 638/4-ZZ | 6 |
| 4 | 10 | 3 | MF104 | 1 |
| 4 | 10 | 3 | MF104-ZZ | 3 |
| 4 | 10 | 3 | MR104 | 4 |

| Dimension (mm) Dimensioni (mm) | | | Designation Sigla | Fig. |
|-----------------------------------|----|------|----------------------|------|
| d | D | B | | |
| 4 | 10 | 4 | MR104-ZZ | 6 |
| 4 | 10 | 4 | BA 4 | 51 |
| 4 | 11 | 4 | F694 | 1 |
| 4 | 11 | 4 | F694-ZZ | 3 |
| 4 | 11 | 4 | 619/4 | 4 |
| 4 | 11 | 4 | 694 | 4 |
| 4 | 11 | 4 | 694-ZZ | 4 |
| 4 | 11 | 4 | 619/4-ZZ | 6 |
| 4 | 12 | 4 | F604 | 1 |
| 4 | 12 | 4 | F604-ZZ | 3 |
| 4 | 12 | 4 | 604 | 4 |
| 4 | 12 | 4 | 604-Z | 5 |
| 4 | 12 | 4 | 604-ZZ | 6 |
| 4 | 13 | 4 | LR 604 NPPU | 31 |
| 4 | 13 | 5 | F624 | 1 |
| 4 | 13 | 5 | F624-ZZ | 3 |
| 4 | 13 | 5 | 624 | 4 |
| 4 | 13 | 5 | 624-Z | 5 |
| 4 | 13 | 5 | 624-ZZ | 6 |
| 4 | 13 | 5 | 624-2RS | 7 |
| 4 | 13 | 5 | 624-RS | 8 |
| 4 | 16 | 5 | F634 | 1 |
| 4 | 16 | 5 | F634-ZZ | 3 |
| 4 | 16 | 5 | 634 | 4 |
| 4 | 16 | 5 | 634-Z | 5 |
| 4 | 16 | 5 | 634-ZZ | 6 |
| 4 | 16 | 5 | 634-2RS | 7 |
| 4 | 16 | 5 | 634-RS | 8 |
| 4 | 16 | 5 | 634-2RZ | 9 |
| 4 | 16 | 5 | 634-RZ | 10 |
| 5 | 8 | 2 | MF85 | 1 |
| 5 | 8 | 2 | MF85-ZZ | 3 |
| 5 | 8 | 2 | MR85 | 4 |
| 5 | 8 | 2,50 | MR85-ZZ | 6 |
| 5 | 9 | 2,50 | MF95 | 1 |
| 5 | 9 | 2,50 | MF95-ZZ | 3 |
| 5 | 9 | 2,50 | MR95 | 4 |
| 5 | 9 | 3 | MR95-ZZ | 6 |
| 5 | 10 | 3 | MF105 | 1 |
| 5 | 10 | 3 | MF105-ZZ | 3 |
| 5 | 10 | 3 | MR105 | 4 |
| 5 | 10 | 4 | MR105-ZZ | 6 |
| 5 | 11 | 3 | F685 | 1 |
| 5 | 11 | 3 | F685-ZZ | 3 |
| 5 | 11 | 3 | 618/5 | 4 |
| 5 | 11 | 3 | 685 | 4 |
| 5 | 11 | 3 | 685-ZZ | 4 |
| 5 | 11 | 4 | MR115-ZZ | 6 |
| 5 | 11 | 4 | 628/5-ZZ | 6 |
| 5 | 11 | 5 | 638/5-ZZ | 6 |
| 5 | 11 | - | MF115-ZZ | 3 |
| 5 | 12 | 4 | BA 5 | 51 |
| 5 | 13 | 4 | F695 | 1 |
| 5 | 13 | 4 | F695-ZZ | 3 |
| 5 | 13 | 4 | 619/5 | 4 |
| 5 | 13 | 4 | 695 | 4 |

| Dimension (mm) Dimensioni (mm) | | | Designation Sigla | Fig. |
|-----------------------------------|----|------|----------------------|------|
| d | D | B | | |
| 5 | 13 | 4 | 695-ZZ | 4 |
| 5 | 13 | 4 | 619/5-ZZ | 6 |
| 5 | 14 | 5 | F605 | 1 |
| 5 | 14 | 5 | F605-ZZ | 3 |
| 5 | 14 | 5 | 605 | 4 |
| 5 | 14 | 5 | 605-ZZ | 4 |
| 5 | 16 | 5 | F625 | 1 |
| 5 | 16 | 5 | F625-ZZ | 3 |
| 5 | 16 | 5 | 625 | 4 |
| 5 | 16 | 5 | 625-Z | 5 |
| 5 | 16 | 5 | 625-ZZ | 6 |
| 5 | 16 | 5 | 625-2RS | 7 |
| 5 | 16 | 5 | 625-RS | 8 |
| 5 | 16 | 5 | LR 605 NPPU | 31 |
| 5 | 19 | 6 | F635 | 1 |
| 5 | 19 | 6 | F635-ZZ | 3 |
| 5 | 19 | 6 | 635 | 4 |
| 5 | 19 | 6 | 635-Z | 5 |
| 5 | 19 | 6 | 635-ZZ | 6 |
| 5 | 19 | 6 | 635-2RS | 7 |
| 5 | 19 | 6 | 635-RS | 8 |
| 5 | 19 | 6 | 635-2RZ | 9 |
| 5 | 19 | 6 | 635-RZ | 10 |
| 5 | 19 | 6 | 135 | 23 |
| 6 | 10 | 2,50 | MF106 | 1 |
| 6 | 10 | 2,50 | MF106-ZZ | 3 |
| 6 | 10 | 2,50 | MR106 | 4 |
| 6 | 10 | 3 | MR106-ZZ | 6 |
| 6 | 12 | 3 | MF126 | 1 |
| 6 | 12 | 3 | MF126-ZZ | 3 |
| 6 | 12 | 3 | MR126 | 4 |
| 6 | 12 | 4 | MR126-ZZ | 6 |
| 6 | 13 | 3,50 | F686-ZZ | 3 |
| 6 | 13 | 3,50 | 686 | 4 |
| 6 | 13 | 3,50 | 618/6 | 4 |
| 6 | 13 | 3,50 | 686-ZZ | 4 |
| 6 | 13 | 5 | 628/6-ZZ | 6 |
| 6 | 14 | 5 | BA 6 | 51 |
| 6 | 15 | 5 | F696-ZZ | 3 |
| 6 | 15 | 5 | 696 | 4 |
| 6 | 15 | 5 | 619/6 | 4 |
| 6 | 15 | 5 | 696-ZZ | 4 |
| 6 | 15 | 5 | 619/6-ZZ | 6 |
| 6 | 17 | 6 | F606-ZZ | 3 |
| 6 | 17 | 6 | 606 | 4 |
| 6 | 17 | 6 | 606-ZZ | 4 |
| 6 | 19 | 6 | F626-ZZ | 3 |
| 6 | 19 | 6 | 626 | 4 |
| 6 | 19 | 6 | 626-Z | 5 |
| 6 | 19 | 6 | 626-ZZ | 6 |
| 6 | 19 | 6 | 626-2RS | 7 |
| 6 | 19 | 6 | 626-RS | 8 |
| 6 | 19 | 6 | 126 | 23 |
| 6 | 19 | 6 | LR 606 NPPU | 31 |
| 6 | 22 | 7 | 636 | 4 |
| 6 | 22 | 7 | 636-ZZ | 4 |

| Dimension (mm) Dimensioni (mm) | | | Designation Sigla | Fig. |
|-----------------------------------|----|------|----------------------|------|
| d | D | B | | |
| 7 | 11 | 2,50 | MF117 | 1 |
| 7 | 11 | 2,50 | MF117-ZZ | 3 |
| 7 | 11 | 2,50 | MR117 | 4 |
| 7 | 11 | 3 | MR117-ZZ | 6 |
| 7 | 13 | 3 | MF137 | 1 |
| 7 | 13 | 3 | MF137-ZZ | 3 |
| 7 | 13 | 3 | MR137 | 4 |
| 7 | 13 | 4 | MR137-ZZ | 6 |
| 7 | 14 | 3,50 | F687 | 1 |
| 7 | 14 | 3,50 | F687-ZZ | 3 |
| 7 | 14 | 3,50 | 618/7 | 4 |
| 7 | 14 | 3,50 | 687 | 4 |
| 7 | 14 | 3,50 | 687-ZZ | 4 |
| 7 | 14 | 5 | 628/7-ZZ | 6 |
| 7 | 17 | 5 | F697 | 1 |
| 7 | 17 | 5 | F697-ZZ | 3 |
| 7 | 17 | 5 | 619/7 | 4 |
| 7 | 17 | 5 | 697 | 4 |
| 7 | 17 | 5 | 697-ZZ | 4 |
| 7 | 17 | 5 | 619/7-ZZ | 6 |
| 7 | 17 | 6 | BA 7 | 51 |
| 7 | 19 | 6 | F607 | 1 |
| 7 | 19 | 6 | F607-ZZ | 3 |
| 7 | 19 | 6 | 607 | 4 |
| 7 | 19 | 6 | 607-Z | 5 |
| 7 | 19 | 6 | 607-ZZ | 6 |
| 7 | 19 | 6 | 607-2RS | 7 |
| 7 | 19 | 6 | 607-RS | 8 |
| 7 | 22 | 6 | LR 607 NPPU | 31 |
| 7 | 22 | 7 | F627 | 1 |
| 7 | 22 | 7 | F627-ZZ | 3 |
| 7 | 22 | 7 | 627 | 4 |
| 7 | 22 | 7 | 627-Z | 5 |
| 7 | 22 | 7 | 627-ZZ | 6 |
| 7 | 22 | 7 | 627-2RS | 7 |
| 7 | 22 | 7 | 627-RS | 8 |
| 7 | 22 | 7 | 127 | 23 |
| 8 | 12 | 2,50 | MF128 | 1 |
| 8 | 12 | 2,50 | MF128-ZZ | 3 |
| 8 | 12 | 2,50 | MR128 | 4 |
| 8 | 12 | 3,50 | MR128-ZZ | 6 |
| 8 | 14 | 3,50 | MF148 | 1 |
| 8 | 14 | 3,50 | MF148-ZZ | 3 |
| 8 | 14 | 3,50 | MR148 | 4 |
| 8 | 14 | 4 | MR148-ZZ | 6 |
| 8 | 16 | 4 | F688 | 1 |
| 8 | 16 | 4 | F688-ZZ | 3 |
| 8 | 16 | 4 | 618/8 | 4 |
| 8 | 16 | 4 | 688 | 4 |
| 8 | 16 | 4 | 688-ZZ | 4 |
| 8 | 16 | 5 | 628/8-ZZ | 6 |
| 8 | 16 | 5 | 628/8-2RS | 7 |
| 8 | 16 | 6 | 638/8-ZZ | 6 |
| 8 | 19 | 6 | F698 | 1 |
| 8 | 19 | 6 | F698-ZZ | 3 |
| 8 | 19 | 6 | 619/8 | 4 |

| Dimension (mm) Dimensioni (mm) | | | Designation Sigla | Fig. |
|-----------------------------------|----|----|----------------------|------|
| d | D | B | | |
| 8 | 19 | 6 | 698 | 4 |
| 8 | 19 | 6 | 698-ZZ | 4 |
| 8 | 19 | 6 | 619/8-ZZ | 6 |
| 8 | 19 | 6 | 619/8-2RS | 7 |
| 8 | 19 | 7 | BA 8 | 51 |
| 8 | 22 | 7 | F608 | 1 |
| 8 | 22 | 7 | F608-ZZ | 3 |
| 8 | 22 | 7 | 608 | 4 |
| 8 | 22 | 7 | 608-Z | 5 |
| 8 | 22 | 7 | 608-ZZ | 6 |
| 8 | 22 | 7 | 608-2RS | 7 |
| 8 | 22 | 7 | 608-RS | 8 |
| 8 | 22 | 7 | 108 | 23 |
| 8 | 22 | 11 | 630/8-2RS | 7 |
| 8 | 24 | 7 | LR 608 NPPU | 31 |
| 8 | 24 | 8 | 628 | 4 |
| 8 | 24 | 8 | 628-Z | 5 |
| 8 | 24 | 8 | 628-ZZ | 6 |
| 8 | 24 | 8 | 628-2RS | 7 |
| 8 | 24 | 8 | 628-RS | 8 |
| 8 | 24 | 8 | 628-2RZ | 9 |
| 8 | 24 | 8 | 628-RZ | 10 |
| 8 | 28 | 9 | 638 | 4 |
| 8 | 28 | 9 | 638-ZZ | 4 |
| 8 | 28 | 9 | 638-2RZ | 9 |
| 8 | 28 | 9 | 638-RZ | 10 |
| 9 | 17 | 4 | F689 | 1 |
| 9 | 17 | 4 | F689-ZZ | 3 |
| 9 | 17 | 4 | 618/9 | 4 |
| 9 | 17 | 4 | 689 | 4 |
| 9 | 17 | 4 | 689-ZZ | 4 |
| 9 | 17 | 5 | 628/9-Z | 5 |
| 9 | 17 | 5 | 628/9-ZZ | 6 |
| 9 | 17 | 5 | 628/9-2RS | 7 |
| 9 | 20 | 6 | F699 | 1 |
| 9 | 20 | 6 | F699-ZZ | 3 |
| 9 | 20 | 6 | 619/9 | 4 |
| 9 | 20 | 6 | 699 | 4 |
| 9 | 20 | 6 | 699-ZZ | 4 |
| 9 | 20 | 6 | 619/9-ZZ | 6 |
| 9 | 20 | 7 | BA 9 | 51 |
| 9 | 24 | 7 | 609 | 4 |
| 9 | 24 | 7 | 609-Z | 5 |
| 9 | 24 | 7 | 609-ZZ | 6 |
| 9 | 24 | 7 | 609-2RS | 7 |
| 9 | 24 | 7 | 609-RS | 8 |
| 9 | 26 | 8 | 629 | 4 |
| 9 | 26 | 8 | 629-Z | 5 |
| 9 | 26 | 8 | 629-ZZ | 6 |
| 9 | 26 | 8 | 629-2RS | 7 |
| 9 | 26 | 8 | 629-RS | 8 |
| 9 | 26 | 8 | 129 | 23 |
| 10 | 15 | 3 | F6700 | 1 |
| 10 | 15 | 3 | 61700 | 4 |
| 10 | 15 | 4 | F6700-ZZ | 3 |
| 10 | 15 | 4 | 61700-ZZ | 6 |

| Dimension (mm) Dimensioni (mm) | | | Designation Sigla | Fig. |
|-----------------------------------|----|----|----------------------|------|
| d | D | B | | |
| 10 | 19 | 5 | F6800 | 1 |
| 10 | 19 | 5 | F6800-ZZ | 3 |
| 10 | 19 | 5 | 61800 | 4 |
| 10 | 19 | 5 | 61800-ZZ | 6 |
| 10 | 19 | 5 | 61800-2RS | 7 |
| 10 | 19 | 7 | F63800 | 1 |
| 10 | 19 | 7 | F63800-ZZ | 3 |
| 10 | 19 | 7 | 63800 | 4 |
| 10 | 19 | 7 | 613800 | 4 |
| 10 | 19 | 7 | 613800-ZZ | 4 |
| 10 | 19 | 7 | 63800-ZZ | 6 |
| 10 | 22 | 6 | F6900 | 1 |
| 10 | 22 | 6 | F6900-ZZ | 3 |
| 10 | 22 | 6 | 61900 | 4 |
| 10 | 22 | 6 | 61900-ZZ | 6 |
| 10 | 22 | 6 | 61900-2RS | 7 |
| 10 | 24 | 9 | 51100 | 51 |
| 10 | 26 | 8 | 6000 | 4 |
| 10 | 26 | 8 | 6000-Z | 5 |
| 10 | 26 | 8 | 6000-ZZ | 6 |
| 10 | 26 | 8 | 6000-2RS | 7 |
| 10 | 26 | 8 | 6000-RS | 8 |
| 10 | 26 | 11 | 51200 | 51 |
| 10 | 26 | 12 | 63000-2RS | 7 |
| 10 | 28 | 8 | 16100 | 4 |
| 10 | 28 | 8 | 16100-ZZ | 6 |
| 10 | 28 | 8 | LR 6000 NPPU | 31 |
| 10 | 30 | 9 | 6200 | 4 |
| 10 | 30 | 9 | 6200-Z | 5 |
| 10 | 30 | 9 | 6200-ZZ | 6 |
| 10 | 30 | 9 | 6200-2RS | 7 |
| 10 | 30 | 9 | 6200-RS | 8 |
| 10 | 30 | 9 | 6200 N | 11 |
| 10 | 30 | 9 | 6200 NR | 12 |
| 10 | 30 | 9 | 6200-ZNR | 13 |
| 10 | 30 | 9 | 6200-ZZNR | 14 |
| 10 | 30 | 9 | 6200 2RS BOMB | 16 |
| 10 | 30 | 9 | 7200 B | 17 |
| 10 | 30 | 9 | 1200 TN9 | 23 |
| 10 | 30 | 14 | 62200-2RS | 7 |
| 10 | 30 | 14 | 4200 ATN9 | 15 |
| 10 | 30 | 14 | 3200 ATN9 | 18 |
| 10 | 30 | 14 | 3200-ZZ | 20 |
| 10 | 30 | 14 | 3200-2RS | 21 |
| 10 | 30 | 14 | 2200 TN9 | 23 |
| 10 | 30 | 14 | 2200-2RSTN9 | 25 |
| 10 | 32 | 9 | LR 200 NPP | 30 |
| 10 | 32 | 9 | LR 200 NPPU | 31 |
| 10 | 32 | 14 | LR 5200 KDD | 28 |
| 10 | 32 | 14 | LR 5200 KDDU | 29 |
| 10 | 32 | 22 | 52202 | 54 |
| 10 | 35 | 11 | 6300 | 4 |
| 10 | 35 | 11 | 6300-Z | 5 |
| 10 | 35 | 11 | 6300-ZZ | 6 |
| 10 | 35 | 11 | 6300-2RS | 7 |
| 10 | 35 | 11 | 6300-RS | 8 |

| Dimension (mm) Dimensioni (mm) | | | Designation Sigla | Fig. |
|-----------------------------------|----|--------|----------------------|------|
| d | D | B | | |
| 10 | 35 | 17 | 62300-2RS | 7 |
| 12 | 18 | 4 | F6701 | 1 |
| 12 | 18 | 4 | F6701-ZZ | 3 |
| 12 | 18 | 4 | 61701 | 4 |
| 12 | 18 | 4 | 61701-ZZ | 6 |
| 12 | 21 | 5 | F6801 | 1 |
| 12 | 21 | 5 | F6801-ZZ | 3 |
| 12 | 21 | 5 | 61801 | 4 |
| 12 | 21 | 5 | 61801-ZZ | 6 |
| 12 | 21 | 5 | 61801-2RS | 7 |
| 12 | 21 | 7 | F63801 | 1 |
| 12 | 21 | 7 | F63801-ZZ | 3 |
| 12 | 21 | 7 | 63801 | 4 |
| 12 | 21 | 7 | 613801 | 4 |
| 12 | 21 | 7 | 613801-ZZ | 4 |
| 12 | 21 | 7 | 63801-ZZ | 6 |
| 12 | 24 | 6 | F6901 | 1 |
| 12 | 24 | 6 | F6901-ZZ | 3 |
| 12 | 24 | 6 | 61901 | 4 |
| 12 | 24 | 6 | 61901-ZZ | 6 |
| 12 | 24 | 6 | 61901-2RS | 7 |
| 12 | 26 | 9 | 51101 | 51 |
| 12 | 26 | 89,50 | WB1226090 | 60 |
| 12 | 26 | 94,50 | WB1226095 | 60 |
| 12 | 26 | 103,50 | WB1226104 | 60 |
| 12 | 26 | 105,50 | WB1226108 | 60 |
| 12 | 28 | 8 | 6001 | 4 |
| 12 | 28 | 8 | 6001-Z | 5 |
| 12 | 28 | 8 | 6001-ZZ | 6 |
| 12 | 28 | 8 | 6001-2RS | 7 |
| 12 | 28 | 8 | 6001-RS | 8 |
| 12 | 28 | 11 | 51201 | 51 |
| 12 | 28 | 12 | 63001-2RS | 7 |
| 12 | 28 | 13 | 53201 | 52 |
| 12 | 30 | 8 | 16101 | 4 |
| 12 | 30 | 8 | 16101-ZZ | 6 |
| 12 | 30 | 8 | 16101-2RS | 7 |
| 12 | 30 | 8 | LR 6001 NPPU | 31 |
| 12 | 32 | 10 | 6201 | 4 |
| 12 | 32 | 10 | 6201-Z | 5 |
| 12 | 32 | 10 | 6201-ZZ | 6 |
| 12 | 32 | 10 | 6201-2RS | 7 |
| 12 | 32 | 10 | 6201-RS | 8 |
| 12 | 32 | 10 | 6201 N | 11 |
| 12 | 32 | 10 | 6201 NR | 12 |
| 12 | 32 | 10 | 6201-ZNR | 13 |
| 12 | 32 | 10 | 6201-ZZNR | 14 |
| 12 | 32 | 10 | 6201 2RS BOMB | 16 |
| 12 | 32 | 10 | 7201 B | 17 |
| 12 | 32 | 10 | 1201 TN9 | 23 |
| 12 | 32 | 14 | 62201-2RS | 7 |
| 12 | 32 | 14 | 4201 ATN9 | 15 |
| 12 | 32 | 14 | 2201 TN9 | 23 |
| 12 | 32 | 14 | 2201-2RSTN9 | 25 |
| 12 | 32 | 15,90 | 3201 ATN9 | 18 |
| 12 | 32 | 15,90 | 3201-ZZ | 20 |

| Dimension (mm) Dimensioni (mm) | | | Designation Sigla | Fig. |
|-----------------------------------|----|-------|----------------------|------|
| d | D | B | | |
| 12 | 32 | 15,90 | 3201-2RS | 21 |
| 12 | 35 | 10 | LR 201 NPP | 30 |
| 12 | 35 | 10 | LR 201 NPPU | 31 |
| 12 | 35 | 15,90 | LR 5201 KDD | 28 |
| 12 | 35 | 15,90 | LR 5201 KDDU | 29 |
| 12 | 37 | 12 | 6301 | 4 |
| 12 | 37 | 12 | 6301-Z | 5 |
| 12 | 37 | 12 | 6301-ZZ | 6 |
| 12 | 37 | 12 | 6301-2RS | 7 |
| 12 | 37 | 12 | 6301-RS | 8 |
| 12 | 37 | 12 | 7301 B | 17 |
| 12 | 37 | 12 | 1301 | 23 |
| 12 | 37 | 17 | 62301-2RS | 7 |
| 12 | 37 | 17 | 4301 ATN9 | 15 |
| 12 | 37 | 17 | 2301 | 23 |
| 15 | 21 | 4 | F6702 | 1 |
| 15 | 21 | 4 | F6702-ZZ | 3 |
| 15 | 21 | 4 | 61702 | 4 |
| 15 | 21 | 4 | 61702-ZZ | 6 |
| 15 | 24 | 5 | F6802 | 1 |
| 15 | 24 | 5 | F6802-ZZ | 3 |
| 15 | 24 | 5 | 61802 | 4 |
| 15 | 24 | 5 | 61802-ZZ | 6 |
| 15 | 24 | 5 | 61802-2RS | 7 |
| 15 | 24 | 7 | F63802 | 1 |
| 15 | 24 | 7 | F63802-ZZ | 3 |
| 15 | 24 | 7 | 63802 | 4 |
| 15 | 24 | 7 | 613802 | 4 |
| 15 | 24 | 7 | 613802-ZZ | 4 |
| 15 | 24 | 7 | 63802-ZZ | 6 |
| 15 | 28 | 7 | F6902 | 1 |
| 15 | 28 | 7 | F6902-ZZ | 3 |
| 15 | 28 | 7 | 61902 | 4 |
| 15 | 28 | 7 | 61902-ZZ | 6 |
| 15 | 28 | 7 | 61902-2RS | 7 |
| 15 | 28 | 7 | 61902-2RZ | 9 |
| 15 | 28 | 9 | 51102 | 51 |
| 15 | 32 | 8 | 16002 | 4 |
| 15 | 32 | 8 | 16002-Z | 5 |
| 15 | 32 | 8 | 16002-ZZ | 6 |
| 15 | 32 | 9 | 6002 | 4 |
| 15 | 32 | 9 | 6002-Z | 5 |
| 15 | 32 | 9 | 6002-ZZ | 6 |
| 15 | 32 | 9 | 6002-2RS | 7 |
| 15 | 32 | 9 | 6002-RS | 8 |
| 15 | 32 | 12 | 51202 | 51 |
| 15 | 32 | 13 | 63002-2RS | 7 |
| 15 | 32 | 15 | 53202 | 52 |
| 15 | 35 | 9 | LR 6002 NPPU | 31 |
| 15 | 35 | 11 | 6202 | 4 |
| 15 | 35 | 11 | 6202-Z | 5 |
| 15 | 35 | 11 | 6202-ZZ | 6 |
| 15 | 35 | 11 | 6202-2RS | 7 |
| 15 | 35 | 11 | 6202-RS | 8 |
| 15 | 35 | 11 | 6202 N | 11 |
| 15 | 35 | 11 | 6202 NR | 12 |

| Dimension (mm) Dimensioni (mm) | | | Designation Sigla | Fig. |
|-----------------------------------|----|--------|----------------------|------|
| d | D | B | | |
| 15 | 35 | 11 | 6202-ZNR | 13 |
| 15 | 35 | 11 | 6202-ZZNR | 14 |
| 15 | 35 | 11 | 6202 2RS BOMB | 16 |
| 15 | 35 | 11 | 7202 B | 17 |
| 15 | 35 | 11 | QJ 202 N2 M | 22 |
| 15 | 35 | 11 | 1202 TN9 | 23 |
| 15 | 35 | 11 | NU 202 | 32 |
| 15 | 35 | 11 | NJ 202 | 33 |
| 15 | 35 | 14 | 62202-2RS | 7 |
| 15 | 35 | 14 | 4202 ATN9 | 15 |
| 15 | 35 | 14 | 2202 TN9 | 23 |
| 15 | 35 | 14 | 2202-2RSTN9 | 25 |
| 15 | 35 | 15,90 | 3202 ATN9 | 18 |
| 15 | 35 | 15,90 | 3202-ZZ | 20 |
| 15 | 35 | 15,90 | 3202-2RS | 21 |
| 15 | 37 | 9 | 98202 | 4 |
| 15 | 40 | 11 | LR 202 NPP | 30 |
| 15 | 40 | 11 | LR 202 NPPU | 31 |
| 15 | 40 | 15,90 | LR 5202 KDD | 28 |
| 15 | 40 | 15,90 | LR 5202 KDDU | 29 |
| 15 | 40 | 26 | 52204 | 54 |
| 15 | 42 | 13 | 6302 | 4 |
| 15 | 42 | 13 | 6302-Z | 5 |
| 15 | 42 | 13 | 6302-ZZ | 6 |
| 15 | 42 | 13 | 6302-2RS | 7 |
| 15 | 42 | 13 | 6302-RS | 8 |
| 15 | 42 | 13 | 7302 B | 17 |
| 15 | 42 | 13 | 1302 TN9 | 23 |
| 15 | 42 | 14 | 30302 | 43 |
| 15 | 42 | 17 | 62302-2RS | 7 |
| 15 | 42 | 17 | 4302 ATN9 | 15 |
| 15 | 42 | 17 | 2302 | 23 |
| 15 | 42 | 17 | 2302-2RSTN9 | 25 |
| 15 | 42 | 19 | 3302 ATN9 | 18 |
| 15 | 42 | 19 | 3302-ZZ | 20 |
| 15 | 42 | 19 | 3302-2RS | 21 |
| 15,918 | 30 | 73,40 | WB1630073 | 60 |
| 15,918 | 30 | 82,60 | WB1630083 | 60 |
| 15,918 | 30 | 101,20 | WB1630101 | 60 |
| 15,918 | 30 | 103,20 | WB1630103 | 60 |
| 15,918 | 30 | 105,20 | WB1630105 | 60 |
| 15,918 | 30 | 108,70 | WB1630109 | 60 |
| 15,918 | 30 | 110,50 | WB1630111 | 60 |
| 15,918 | 30 | 111,50 | WB1630112 | 60 |
| 15,918 | 30 | 111,80 | WB1630112K | 60 |
| 15,918 | 30 | 113,10 | WB1630113 | 60 |
| 15,918 | 30 | 114,30 | WB1630114 | 60 |
| 15,918 | 30 | 119,10 | WB1630119 | 60 |
| 15,918 | 30 | 119,90 | WB1630120 | 60 |
| 15,918 | 30 | 120,60 | WB1630121 | 60 |
| 15,918 | 30 | 121,60 | WB1630122 | 60 |
| 15,918 | 30 | 122,20 | WB1630122K | 60 |
| 15,918 | 30 | 123,40 | WB1630123 | 60 |
| 15,918 | 30 | 125,00 | WB1630125 | 60 |
| 15,918 | 30 | 127,80 | WB1630128 | 60 |
| 15,918 | 30 | 127,80 | WB1630128K | 60 |

| Dimension (mm) Dimensioni (mm) | | | Designation Sigla | Fig. |
|-----------------------------------|----|--------|----------------------|------|
| d | D | B | | |
| 15,918 | 30 | 132,10 | WB1630132 | 60 |
| 15,918 | 30 | 133,10 | WB1630133 | 60 |
| 15,918 | 30 | 134 | WB1630134 | 60 |
| 15,918 | 30 | 135,30 | WB1630135 | 60 |
| 15,918 | 30 | 135,70 | EN1630138 | 60 |
| 15,918 | 30 | 136,40 | WB1630136 | 60 |
| 15,918 | 30 | 138,10 | WB1630138 | 60 |
| 15,918 | 30 | 142 | WB1630142 | 60 |
| 15,918 | 30 | 142,90 | WB1630143 | 60 |
| 15,918 | 30 | 146,20 | WB1630146 | 60 |
| 15,918 | 30 | 154 | WB1630154 | 60 |
| 15,918 | 30 | 159,50 | WB1630160 | 60 |
| 15,918 | 30 | 160 | WB1630150 | 60 |
| 15,918 | 30 | 161,90 | WB1630162 | 60 |
| 15,918 | 30 | 193,30 | WB1630139 | 60 |
| 17 | 23 | 4 | F6703 | 1 |
| 17 | 23 | 4 | F6703-ZZ | 3 |
| 17 | 23 | 4 | 61703 | 4 |
| 17 | 23 | 4 | 61703-ZZ | 6 |
| 17 | 26 | 5 | F6803 | 1 |
| 17 | 26 | 5 | F6803-ZZ | 3 |
| 17 | 26 | 5 | 61803 | 4 |
| 17 | 26 | 5 | 61803-ZZ | 6 |
| 17 | 26 | 5 | 61803-2RS | 7 |
| 17 | 26 | 5 | 61803-2RZ | 9 |
| 17 | 26 | 7 | F63803 | 1 |
| 17 | 26 | 7 | F63803-ZZ | 3 |
| 17 | 26 | 7 | 63803 | 4 |
| 17 | 26 | 7 | 613803 | 4 |
| 17 | 26 | 7 | 613803-ZZ | 4 |
| 17 | 26 | 7 | 63803-ZZ | 6 |
| 17 | 30 | 7 | F6903 | 1 |
| 17 | 30 | 7 | F6903-ZZ | 3 |
| 17 | 30 | 7 | 61903 | 4 |
| 17 | 30 | 7 | 61903-ZZ | 6 |
| 17 | 30 | 7 | 61903-2RS | 7 |
| 17 | 30 | 7 | 61903-RZ | 10 |
| 17 | 30 | 9 | 51103 | 51 |
| 17 | 35 | 8 | 16003 | 4 |
| 17 | 35 | 8 | 16003-ZZ | 6 |
| 17 | 35 | 10 | 6003 | 4 |
| 17 | 35 | 10 | 6003-Z | 5 |
| 17 | 35 | 10 | 6003-ZZ | 6 |
| 17 | 35 | 10 | 6003-2RS | 7 |
| 17 | 35 | 10 | 6003-RS | 8 |
| 17 | 35 | 12 | 51203 | 51 |
| 17 | 35 | 14 | 63003-2RS | 7 |
| 17 | 35 | 15 | 53203 | 52 |
| 17 | 40 | 9 | 98203 | 4 |
| 17 | 40 | 10 | LR 6003 NPPU | 31 |
| 17 | 40 | 12 | 6203 | 4 |
| 17 | 40 | 12 | 6203-Z | 5 |
| 17 | 40 | 12 | 6203-ZZ | 6 |
| 17 | 40 | 12 | 6203-2RS | 7 |
| 17 | 40 | 12 | 6203-RS | 8 |
| 17 | 40 | 12 | 6203 N | 11 |

| Dimension (mm) Dimensioni (mm) | | | Designation Sigla | Fig. |
|-----------------------------------|--------|--------|----------------------|------|
| d | D | B | | |
| 17 | 40 | 12 | 6203 NR | 12 |
| 17 | 40 | 12 | 6203-ZNR | 13 |
| 17 | 40 | 12 | 6203-ZZNR | 14 |
| 17 | 40 | 12 | 6203 2RS BOMB | 16 |
| 17 | 40 | 12 | 7203 B | 17 |
| 17 | 40 | 12 | QJ 203 N2 M | 22 |
| 17 | 40 | 12 | 1203 TN9 | 23 |
| 17 | 40 | 12 | NU 203 | 32 |
| 17 | 40 | 12 | NJ 203 | 33 |
| 17 | 40 | 12 | NUP 203 | 34 |
| 17 | 40 | 12 | N 203 | 35 |
| 17 | 40 | 13,25 | 30203 | 43 |
| 17 | 40 | 16 | 62203-2RS | 7 |
| 17 | 40 | 16 | 4203 ATN9 | 15 |
| 17 | 40 | 16 | 2203 TN9 | 23 |
| 17 | 40 | 16 | 2203-2RSTN9 | 25 |
| 17 | 40 | 16 | NU 2203 | 32 |
| 17 | 40 | 16 | NJ 2203 | 33 |
| 17 | 40 | 16 | NUP 2203 | 34 |
| 17 | 40 | 17,50 | 3203 ATN9 | 18 |
| 17 | 40 | 17,50 | 3203-ZZ | 20 |
| 17 | 40 | 17,50 | 3203-2RS | 21 |
| 17 | 47 | 12 | LR 203 NPP | 30 |
| 17 | 47 | 12 | LR 203 NPPU | 31 |
| 17 | 47 | 14 | 6303 | 4 |
| 17 | 47 | 14 | 6303-Z | 5 |
| 17 | 47 | 14 | 6303-ZZ | 6 |
| 17 | 47 | 14 | 6303-2RS | 7 |
| 17 | 47 | 14 | 6303-RS | 8 |
| 17 | 47 | 14 | 6303 N | 11 |
| 17 | 47 | 14 | 6303 NR | 12 |
| 17 | 47 | 14 | 6303-ZNR | 13 |
| 17 | 47 | 14 | 6303-ZZNR | 14 |
| 17 | 47 | 14 | 7303 B | 17 |
| 17 | 47 | 14 | QJ 303 N2 M | 22 |
| 17 | 47 | 14 | 1303 TN9 | 23 |
| 17 | 47 | 14 | NU 303 | 32 |
| 17 | 47 | 14 | NJ 303 | 33 |
| 17 | 47 | 14 | N 303 | 35 |
| 17 | 47 | 15 | 30303 | 43 |
| 17 | 47 | 17,50 | LR 5203 KDD | 28 |
| 17 | 47 | 17,50 | LR 5203 KDDU | 29 |
| 17 | 47 | 19 | 62303-2RS | 7 |
| 17 | 47 | 19 | 4303 ATN9 | 15 |
| 17 | 47 | 19 | 2303 | 23 |
| 17 | 47 | 19 | 2303-2RSTN9 | 25 |
| 17 | 47 | 20,25 | 32303 | 43 |
| 17 | 47 | 22,20 | 3303 ATN9 | 18 |
| 17 | 47 | 22,20 | 3303-ZZ | 20 |
| 17 | 47 | 22,20 | 3303-2RS | 21 |
| 17 | 62 | 17 | 6403 | 4 |
| 17,462 | 39,878 | 13,843 | LM 11749/710 | 43 |
| 18,961 | 38,10 | 132,10 | WB1938132 | 60 |
| 18,961 | 38,10 | 134,10 | WB1938134 | 60 |
| 18,961 | 38,10 | 139,70 | WB1938140 | 60 |
| 18,961 | 38,10 | 141,70 | WB1938142 | 60 |

| Dimension (mm) Dimensioni (mm) | | | Designation Sigla | Fig. |
|-----------------------------------|--------|--------|----------------------|------|
| d | D | B | | |
| 18,961 | 38,10 | 143,30 | WB1938143 | 60 |
| 18,961 | 38,10 | 144,50 | WB1938145 | 60 |
| 18,961 | 38,10 | 162,40 | WB1938152 | 60 |
| 18,961 | 38,10 | 165,10 | WB1938165 | 60 |
| 19,05 | 45,237 | 15,494 | LM 11949/910 | 43 |
| 19,05 | 49,225 | 18,034 | 09067/9195 | 43 |
| 20 | 27 | 4 | F6704 | 1 |
| 20 | 27 | 4 | F6704-ZZ | 3 |
| 20 | 27 | 4 | 61704 | 4 |
| 20 | 27 | 4 | 61704-ZZ | 6 |
| 20 | 30 | 3,50 | U 201 | 53 |
| 20 | 32 | 7 | F6804 | 1 |
| 20 | 32 | 7 | F6804-ZZ | 3 |
| 20 | 32 | 7 | 61804 | 4 |
| 20 | 32 | 7 | 61804-2RS | 7 |
| 20 | 32 | 7 | 61804-2RZ | 9 |
| 20 | 35 | 10 | 51104 | 51 |
| 20 | 37 | 9 | F6904 | 1 |
| 20 | 37 | 9 | F6904-ZZ | 3 |
| 20 | 37 | 9 | 61904 | 4 |
| 20 | 37 | 9 | 61904-2RS | 7 |
| 20 | 37 | 9 | 61904-2RZ | 9 |
| 20 | 40 | 14 | 51204 | 51 |
| 20 | 40 | 17 | 53204 | 52 |
| 20 | 42 | 8 | 16004 | 4 |
| 20 | 42 | 9 | 98204 | 4 |
| 20 | 42 | 12 | 6004 | 4 |
| 20 | 42 | 12 | 6004-Z | 5 |
| 20 | 42 | 12 | 6004-ZZ | 6 |
| 20 | 42 | 12 | 6004-2RS | 7 |
| 20 | 42 | 12 | 6004-RS | 8 |
| 20 | 42 | 12 | 6004 N | 11 |
| 20 | 42 | 12 | 6004 NR | 12 |
| 20 | 42 | 12 | 6004-ZNR | 13 |
| 20 | 42 | 12 | 6004-ZZNR | 14 |
| 20 | 42 | 15 | 32004 | 43 |
| 20 | 42 | 16 | 63004-2RS | 7 |
| 20 | 42 | 30 | SL045004-PP | 39 |
| 20 | 47 | 12 | LR 6004 NPPU | 31 |
| 20 | 47 | 14 | 6204 | 4 |
| 20 | 47 | 14 | 6204-Z | 5 |
| 20 | 47 | 14 | 6204-ZZ | 6 |
| 20 | 47 | 14 | 6204-2RS | 7 |
| 20 | 47 | 14 | 6204-RS | 8 |
| 20 | 47 | 14 | 6204 N | 11 |
| 20 | 47 | 14 | 6204 NR | 12 |
| 20 | 47 | 14 | 6204-ZNR | 13 |
| 20 | 47 | 14 | 6204-ZZNR | 14 |
| 20 | 47 | 14 | 6204 2RS BOMB | 16 |
| 20 | 47 | 14 | 7204 B | 17 |
| 20 | 47 | 14 | 1204 TN9 | 23 |
| 20 | 47 | 14 | 1204 KTN9 | 24 |
| 20 | 47 | 14 | NU 204 | 32 |
| 20 | 47 | 14 | NJ 204 | 33 |
| 20 | 47 | 14 | NUP 204 | 34 |
| 20 | 47 | 14 | N 204 | 35 |

| Dimension (mm) Dimensioni (mm) | | | Designation Sigla | Fig. |
|-----------------------------------|--------|--------|----------------------|------|
| d | D | B | | |
| 20 | 47 | 15,25 | 30204 | 43 |
| 20 | 47 | 18 | 62204-2RS | 7 |
| 20 | 47 | 18 | 4204 ATN9 | 15 |
| 20 | 47 | 18 | 2204 TN9 | 23 |
| 20 | 47 | 18 | 2204-2RSTN9 | 25 |
| 20 | 47 | 18 | NU 2204 | 32 |
| 20 | 47 | 18 | NJ 2204 | 33 |
| 20 | 47 | 20,60 | 3204 A | 18 |
| 20 | 47 | 20,60 | 3204 ATN9 | 18 |
| 20 | 47 | 20,60 | 3204-ZZ | 20 |
| 20 | 47 | 20,60 | 3204-2RS | 21 |
| 20 | 47 | 28 | 52205 | 54 |
| 20 | 47 | 40 | 11204 TN9 | 27 |
| 20 | 52 | 14 | LR 204 NPP | 30 |
| 20 | 52 | 14 | LR 204 NPPU | 31 |
| 20 | 52 | 15 | 6304 | 4 |
| 20 | 52 | 15 | 6304-Z | 5 |
| 20 | 52 | 15 | 6304-ZZ | 6 |
| 20 | 52 | 15 | 6304-2RS | 7 |
| 20 | 52 | 15 | 6304-RS | 8 |
| 20 | 52 | 15 | 6304 N | 11 |
| 20 | 52 | 15 | 6304 NR | 12 |
| 20 | 52 | 15 | 6304-ZNR | 13 |
| 20 | 52 | 15 | 6304-ZZNR | 14 |
| 20 | 52 | 15 | 7304 B | 17 |
| 20 | 52 | 15 | QJ 304 N2 M | 22 |
| 20 | 52 | 15 | 1304 TN9 | 23 |
| 20 | 52 | 15 | NU 304 | 32 |
| 20 | 52 | 15 | NJ 304 | 33 |
| 20 | 52 | 15 | NUP 304 | 34 |
| 20 | 52 | 15 | N 304 | 35 |
| 20 | 52 | 15 | 21304 | 45 |
| 20 | 52 | 16,25 | 30304 | 43 |
| 20 | 52 | 18 | 22205/20 | 45 |
| 20 | 52 | 20,60 | LR 5204 KDD | 28 |
| 20 | 52 | 20,60 | LR 5204 KDDU | 29 |
| 20 | 52 | 21 | 62304-2RS | 7 |
| 20 | 52 | 21 | 4304 ATN9 | 15 |
| 20 | 52 | 21 | 2304 | 23 |
| 20 | 52 | 21 | 2304-2RSTN9 | 25 |
| 20 | 52 | 21 | NU 2304 | 32 |
| 20 | 52 | 21 | NJ 2304 | 33 |
| 20 | 52 | 21 | NUP 2304 | 34 |
| 20 | 52 | 21 | N 2304 | 35 |
| 20 | 52 | 22,20 | 3304 A | 18 |
| 20 | 52 | 22,20 | 3304 ATN9 | 18 |
| 20 | 52 | 22,20 | 3304-ZZ | 20 |
| 20 | 52 | 22,20 | 3304-2RS | 21 |
| 20 | 52 | 22,25 | 32304 | 43 |
| 20 | 52 | 34 | 52305 | 54 |
| 20 | 62 | 22,20 | LR 5304 KDDU | 29 |
| 20 | 70 | 52 | 52407 | 54 |
| 20 | 72 | 19 | 6404 | 4 |
| 21,43 | 45,237 | 15,494 | LM 12748/710 | 43 |
| 21,43 | 50,005 | 17,526 | M 12649/610 | 43 |
| 21,986 | 45,237 | 15,494 | LM 12749/710 | 43 |

| Dimension (mm) Dimensioni (mm) | | | Designation Sigla | Fig. |
|-----------------------------------|--------|--------|----------------------|------|
| d | D | B | | |
| 21,986 | 45,974 | 15,494 | LM 12749/711 | 43 |
| 22 | 44 | 15 | 320/22 | 43 |
| 22 | 50 | 14 | 62/22 | 4 |
| 22 | 50 | 14 | 62/22-2RS | 7 |
| 22 | 56 | 16 | 63/22 | 4 |
| 22,225 | 52,388 | 19,368 | 1380/1328 | 43 |
| 24 | 35 | 4 | U 202 | 53 |
| 25 | 32 | 4 | F6705 | 1 |
| 25 | 32 | 4 | 61705 | 4 |
| 25 | 32 | 4 | 61705-ZZ | 6 |
| 25 | 37 | 7 | F6805 | 1 |
| 25 | 37 | 7 | F6805-ZZ | 3 |
| 25 | 37 | 7 | 61805 | 4 |
| 25 | 37 | 7 | 61805-2RS | 7 |
| 25 | 37 | 7 | 61805-2RZ | 9 |
| 25 | 42 | 9 | F6905 | 1 |
| 25 | 42 | 9 | F6905-ZZ | 3 |
| 25 | 42 | 9 | 61905 | 4 |
| 25 | 42 | 9 | 61905-2RS | 7 |
| 25 | 42 | 9 | 61905-2RZ | 9 |
| 25 | 42 | 11 | 51105 | 51 |
| 25 | 47 | 8 | 16005 | 4 |
| 25 | 47 | 12 | 6005 | 4 |
| 25 | 47 | 12 | 6005-Z | 5 |
| 25 | 47 | 12 | 6005-ZZ | 6 |
| 25 | 47 | 12 | 6005-2RS | 7 |
| 25 | 47 | 12 | 6005-RS | 8 |
| 25 | 47 | 12 | 6005 N | 11 |
| 25 | 47 | 12 | 6005 NR | 12 |
| 25 | 47 | 12 | 6005-ZNR | 13 |
| 25 | 47 | 12 | 6005-ZZNR | 14 |
| 25 | 47 | 12 | NU 1005 | 32 |
| 25 | 47 | 15 | 32005 | 43 |
| 25 | 47 | 15 | 51205 | 51 |
| 25 | 47 | 16 | 63005-2RS | 7 |
| 25 | 47 | 16 | NN 3005 K/SP | 38 |
| 25 | 47 | 16 | NN 3005/SP | 38 |
| 25 | 47 | 19 | 53205 | 52 |
| 25 | 47 | 30 | SL045005-PP | 39 |
| 25 | 52 | 9 | 98205 | 4 |
| 25 | 52 | 15 | 6205 | 4 |
| 25 | 52 | 15 | 6205-Z | 5 |
| 25 | 52 | 15 | 6205-ZZ | 6 |
| 25 | 52 | 15 | 6205-2RS | 7 |
| 25 | 52 | 15 | 6205-RS | 8 |
| 25 | 52 | 15 | 6205 N | 11 |
| 25 | 52 | 15 | 6205 NR | 12 |
| 25 | 52 | 15 | 6205-ZNR | 13 |
| 25 | 52 | 15 | 6205-ZZNR | 14 |
| 25 | 52 | 15 | 6205 2RS BOMB | 16 |
| 25 | 52 | 15 | 7205 B | 17 |
| 25 | 52 | 15 | QJ 205 N2M | 22 |
| 25 | 52 | 15 | 1205 TN9 | 23 |
| 25 | 52 | 15 | 1205 KTN9 | 24 |
| 25 | 52 | 15 | NU 205 | 32 |
| 25 | 52 | 15 | NJ 205 | 33 |

| Dimension (mm) Dimensioni (mm) | | | Designation Sigla | Fig. |
|-----------------------------------|----|-------|----------------------|------|
| d | D | B | | |
| 25 | 52 | 15 | NUP 205 | 34 |
| 25 | 52 | 15 | N 205 | 35 |
| 25 | 52 | 16,25 | 30205 | 43 |
| 25 | 52 | 18 | 62205-2RS | 7 |
| 25 | 52 | 18 | 4205 ATN9 | 15 |
| 25 | 52 | 18 | 2205 TN9 | 23 |
| 25 | 52 | 18 | 2205 KTN9 | 24 |
| 25 | 52 | 18 | 2205-2RSTN9 | 25 |
| 25 | 52 | 18 | 2205-2RSKTN9 | 26 |
| 25 | 52 | 18 | NU 2205 | 32 |
| 25 | 52 | 18 | NJ 2205 | 33 |
| 25 | 52 | 18 | NUP 2205 | 34 |
| 25 | 52 | 18 | 22205 | 45 |
| 25 | 52 | 18 | 22205 K | 46 |
| 25 | 52 | 18 | 51305 | 51 |
| 25 | 52 | 19,25 | 32205 | 43 |
| 25 | 52 | 19,25 | 32205-A | 43 |
| 25 | 52 | 20,60 | 3205 A | 18 |
| 25 | 52 | 20,60 | 3205 ATN9 | 18 |
| 25 | 52 | 20,60 | 3205-ZZ | 20 |
| 25 | 52 | 20,60 | 3205-2RS | 21 |
| 25 | 52 | 22 | 33205 | 43 |
| 25 | 52 | 23 | 22205-2RS | 47 |
| 25 | 52 | 29 | 52206 | 54 |
| 25 | 52 | 44 | 11205 TN9 | 27 |
| 25 | 60 | 24 | 51405 | 51 |
| 25 | 60 | 38 | 52306 | 54 |
| 25 | 60 | 41,30 | 54306 | 55 |
| 25 | 62 | 15 | LR 205 NPP | 30 |
| 25 | 62 | 15 | LR 205 NPPU | 31 |
| 25 | 62 | 17 | 6305 | 4 |
| 25 | 62 | 17 | 6305-Z | 5 |
| 25 | 62 | 17 | 6305-ZZ | 6 |
| 25 | 62 | 17 | 6305-2RS | 7 |
| 25 | 62 | 17 | 6305-RS | 8 |
| 25 | 62 | 17 | 6305-2RZ | 9 |
| 25 | 62 | 17 | 6305-RZ | 10 |
| 25 | 62 | 17 | 6305 N | 11 |
| 25 | 62 | 17 | 6305 NR | 12 |
| 25 | 62 | 17 | 6305-ZNR | 13 |
| 25 | 62 | 17 | 6305-ZZNR | 14 |
| 25 | 62 | 17 | 7305 B | 17 |
| 25 | 62 | 17 | QJ 305 N2 M | 22 |
| 25 | 62 | 17 | 1305 TN9 | 23 |
| 25 | 62 | 17 | 1305 KTN9 | 24 |
| 25 | 62 | 17 | NU 305 | 32 |
| 25 | 62 | 17 | NJ 305 | 33 |
| 25 | 62 | 17 | NUP 305 | 34 |
| 25 | 62 | 17 | N 305 | 35 |
| 25 | 62 | 17 | 21305 | 45 |
| 25 | 62 | 18 | 30305 | 43 |
| 25 | 62 | 18,20 | 31305 | 43 |
| 25 | 62 | 20,60 | LR 5205 KDD | 28 |
| 25 | 62 | 20,60 | LR 5205 KDDU | 29 |
| 25 | 62 | 24 | 62305-2RS | 7 |
| 25 | 62 | 24 | 4305 ATN9 | 15 |

| Dimension (mm) Dimensioni (mm) | | | Designation Sigla | Fig. |
|-----------------------------------|--------|--------|-----------------------|------|
| d | D | B | | |
| 25 | 62 | 24 | 2305 | 23 |
| 25 | 62 | 24 | 2035M | 23 |
| 25 | 62 | 24 | 2305-2RSTN9 | 25 |
| 25 | 62 | 24 | NU 2305 | 32 |
| 25 | 62 | 24 | NJ 2305 | 33 |
| 25 | 62 | 24 | NUP 2305 | 34 |
| 25 | 62 | 25,25 | 32305 | 43 |
| 25 | 62 | 25,40 | 3305 A | 18 |
| 25 | 62 | 25,40 | 3305 ATN9 | 18 |
| 25 | 62 | 25,40 | 3305-ZZ | 20 |
| 25 | 62 | 25,40 | 3305-2RS | 21 |
| 25 | 62 | 36,50 | 31305J/DF | 44 |
| 25 | 72 | 25,40 | LR 5305 KDDU | 29 |
| 25 | 80 | 21 | 6405 | 4 |
| 25 | 80 | 59 | 52406 | 54 |
| 25,40 | 50,292 | 14,224 | L 44643/610 | 43 |
| 25,40 | 50,80 | 15,011 | 07100 5/7210 X | 43 |
| 25,40 | 57,15 | 17,462 | 15578/15520 | 43 |
| 25,40 | 62 | 19,05 | 15101/15245 | 43 |
| 26 | 38 | 4 | U 203 | 53 |
| 26,157 | 61,912 | 19,05 | 15103 5/15243 | 43 |
| 26,988 | 50,292 | 14,224 | L 44649/610 | 43 |
| 28 | 52 | 16 | 320/28 | 43 |
| 28 | 58 | 16 | 62/28 | 4 |
| 28 | 58 | 17,50 | 302/28 | 43 |
| 28 | 58 | 20,25 | 322/28 | 43 |
| 28 | 68 | 18 | 63/28 | 4 |
| 28 | 68 | 20 | 303/28 | 43 |
| 28 | 68 | 25,80 | 323/28 | 43 |
| 28,575 | 57,15 | 19,845 | 1985/1922 | 43 |
| 28,575 | 57,15 | 19,845 | 1988/1922 | 43 |
| 28,575 | 73,025 | 22,225 | 02872/2820 | 43 |
| 29 | 50,292 | 14,224 | L 45449/410 | 43 |
| 30 | 37 | 4 | F6706 | 1 |
| 30 | 37 | 4 | 61706 | 4 |
| 30 | 37 | 4 | 61706-ZZ | 6 |
| 30 | 42 | 5 | U 204 | 53 |
| 30 | 42 | 7 | F6806 | 1 |
| 30 | 42 | 7 | F6806-ZZ | 3 |
| 30 | 42 | 7 | 61806 | 4 |
| 30 | 42 | 7 | 61806-2RS | 7 |
| 30 | 42 | 7 | 61806-2RZ | 9 |
| 30 | 47 | 9 | F6906 | 1 |
| 30 | 47 | 9 | F6906-ZZ | 3 |
| 30 | 47 | 9 | 61906-2RS | 7 |
| 30 | 47 | 9 | 61906-2RZ | 9 |
| 30 | 47 | 11 | 51106 | 51 |
| 30 | 52 | 16 | 51206 | 51 |
| 30 | 52 | 20 | 53206 | 52 |
| 30 | 55 | 9 | 16006 | 4 |
| 30 | 55 | 13 | 6006 | 4 |
| 30 | 55 | 13 | 6006-Z | 5 |
| 30 | 55 | 13 | 6006-ZZ | 6 |
| 30 | 55 | 13 | 6006-2RS | 7 |
| 30 | 55 | 13 | 6006-RS | 8 |
| 30 | 55 | 13 | 6006-2RZ | 9 |

| Dimension (mm) Dimensioni (mm) | | | Designation Sigla | Fig. |
|-----------------------------------|----|-------|-----------------------|------|
| d | D | B | | |
| 30 | 55 | 13 | 6006-RZ | 10 |
| 30 | 55 | 13 | 6006 N | 11 |
| 30 | 55 | 13 | 6006 NR | 12 |
| 30 | 55 | 13 | NU 1006 | 32 |
| 30 | 55 | 17 | 32006 | 43 |
| 30 | 55 | 19 | 63006-2RS | 7 |
| 30 | 55 | 19 | NN 3006 KTN/SP | 38 |
| 30 | 55 | 19 | NN 3006 TN/SP | 38 |
| 30 | 55 | 34 | SL045006-PP | 39 |
| 30 | 60 | 21 | 51306 | 51 |
| 30 | 60 | 25 | 53306 | 52 |
| 30 | 62 | 10 | 98206 | 4 |
| 30 | 62 | 16 | 6206 | 4 |
| 30 | 62 | 16 | 6206-Z | 5 |
| 30 | 62 | 16 | 6206-ZZ | 6 |
| 30 | 62 | 16 | 6206-2RS | 7 |
| 30 | 62 | 16 | 6206-RS | 8 |
| 30 | 62 | 16 | 6206-2RZ | 9 |
| 30 | 62 | 16 | 6206-RZ | 10 |
| 30 | 62 | 16 | 6206 N | 11 |
| 30 | 62 | 16 | 6206 NR | 12 |
| 30 | 62 | 16 | 6206-ZNR | 13 |
| 30 | 62 | 16 | 6206-ZZNR | 14 |
| 30 | 62 | 16 | 6206 2RS BOMB | 16 |
| 30 | 62 | 16 | 7206 B | 17 |
| 30 | 62 | 16 | QJ 206 N2 M | 22 |
| 30 | 62 | 16 | 1206 TN9 | 23 |
| 30 | 62 | 16 | 1206 KTN9 | 24 |
| 30 | 62 | 16 | NU 206 | 32 |
| 30 | 62 | 16 | NJ 206 | 33 |
| 30 | 62 | 16 | NUP 206 | 34 |
| 30 | 62 | 16 | N 206 | 35 |
| 30 | 62 | 17,25 | 30206 | 43 |
| 30 | 62 | 20 | 62206-2RS | 7 |
| 30 | 62 | 20 | 4206 ATN9 | 15 |
| 30 | 62 | 20 | 2206 TN9 | 23 |
| 30 | 62 | 20 | 2206 KTN9 | 24 |
| 30 | 62 | 20 | 2206-2RSTN9 | 25 |
| 30 | 62 | 20 | 2206-2RSKTN9 | 26 |
| 30 | 62 | 20 | NU 2206 | 32 |
| 30 | 62 | 20 | NJ 2206 | 33 |
| 30 | 62 | 20 | NUP 2206 | 34 |
| 30 | 62 | 20 | 22206 | 45 |
| 30 | 62 | 20 | 22206 K | 46 |
| 30 | 62 | 21,25 | 32206 | 43 |
| 30 | 62 | 23,80 | 3206 A | 18 |
| 30 | 62 | 23,80 | 3206 ATN9 | 18 |
| 30 | 62 | 23,80 | 3206-ZZ | 20 |
| 30 | 62 | 23,80 | 3206-2RS | 21 |
| 30 | 62 | 25 | 33206 | 43 |
| 30 | 62 | 25 | 22206-2RS | 47 |
| 30 | 62 | 34 | 52207 | 54 |
| 30 | 62 | 37,70 | 54207 | 55 |
| 30 | 62 | 48 | 11206 TN9 | 27 |
| 30 | 68 | 36 | 52208 | 54 |
| 30 | 68 | 44 | 54208 | 55 |

| Dimension (mm) Dimensioni (mm) | | | Designation Sigla | Fig. |
|-----------------------------------|--------|--------|----------------------|------|
| d | D | B | | |
| 30 | 68 | 47 | 52307 | 54 |
| 30 | 70 | 28 | 54307 | 55 |
| 30 | 72 | 16 | LR 206 NPP | 30 |
| 30 | 72 | 16 | 51406 | 51 |
| 30 | 72 | 19 | 6306 | 4 |
| 30 | 72 | 19 | 6306-Z | 5 |
| 30 | 72 | 19 | 6306-ZZ | 6 |
| 30 | 72 | 19 | 6306-2RS | 7 |
| 30 | 72 | 19 | 6306-RS | 8 |
| 30 | 72 | 19 | 6306-2RZ | 9 |
| 30 | 72 | 19 | 6306-RZ | 10 |
| 30 | 72 | 19 | 6306 N | 11 |
| 30 | 72 | 19 | 6306 NR | 12 |
| 30 | 72 | 19 | 6306-ZNR | 13 |
| 30 | 72 | 19 | 6306-ZZNR | 14 |
| 30 | 72 | 19 | 7306 B | 17 |
| 30 | 72 | 19 | QJ 306 N2M | 22 |
| 30 | 72 | 19 | 1306 TN9 | 23 |
| 30 | 72 | 19 | 1306 KTN9 | 24 |
| 30 | 72 | 19 | LR 206 NPPU | 31 |
| 30 | 72 | 19 | NU 306 | 32 |
| 30 | 72 | 19 | NJ 306 | 33 |
| 30 | 72 | 19 | NUP 306 | 34 |
| 30 | 72 | 19 | N 306 | 35 |
| 30 | 72 | 19 | 21306 | 45 |
| 30 | 72 | 19 | 21306 K | 46 |
| 30 | 72 | 20,75 | 30306 | 43 |
| 30 | 72 | 20,75 | 31306 | 43 |
| 30 | 72 | 23,80 | LR 5206 KDD | 28 |
| 30 | 72 | 23,80 | LR 5206 KDDU | 29 |
| 30 | 72 | 27 | 62306-2RS | 7 |
| 30 | 72 | 27 | 4306 ATN9 | 15 |
| 30 | 72 | 27 | 2306 | 23 |
| 30 | 72 | 27 | 2306 K | 24 |
| 30 | 72 | 27 | 2306-2RSTN9 | 25 |
| 30 | 72 | 27 | NU 2306 | 32 |
| 30 | 72 | 27 | NJ 2306 | 33 |
| 30 | 72 | 27 | NUP 2306 | 34 |
| 30 | 72 | 27 | N 2306 | 35 |
| 30 | 72 | 28,75 | 32306 | 43 |
| 30 | 72 | 30,20 | 3306 A | 18 |
| 30 | 72 | 30,20 | 3306 ATN9 | 18 |
| 30 | 72 | 30,20 | 3306-ZZ | 20 |
| 30 | 72 | 30,20 | 3306-2RS | 21 |
| 30 | 72 | 41,50 | 31306J/DF | 44 |
| 30 | 78 | 49 | 52308 | 54 |
| 30 | 78 | 59 | 54308 | 55 |
| 30 | 80 | 30,20 | LR 5306 KDDU | 29 |
| 30 | 90 | 23 | 6406 | 4 |
| 30 | 90 | 23 | NU 406 | 32 |
| 30 | 90 | 23 | NJ 406 | 33 |
| 30 | 90 | 65 | 52408 | 54 |
| 31,20 | 6,50 | | HJ 304 | 36 |
| 31,75 | 59,131 | 15,875 | LM 67048/10 | 43 |
| 31,75 | 61,912 | 19,05 | 15123/15243 | 43 |
| 31,75 | 62 | 19,05 | 15123/15245 | 43 |

| Dimension (mm) Dimensioni (mm) | | | Designation Sigla | Fig. |
|-----------------------------------|--------|--------|----------------------|------|
| d | D | B | | |
| 31,75 | 73,025 | 29,37 | HM 88542/510 | 43 |
| 32 | 58 | 17 | 320/32 | 43 |
| 33,338 | 69,012 | 19,845 | 14131/14276 | 43 |
| 34,70 | 6 | | HJ 205 | 36 |
| 34,70 | 6,50 | | HJ 2205 | 36 |
| 34,925 | 65,088 | 18,034 | LM 48548/510 | 43 |
| 34,925 | 69,012 | 19,845 | 14137 A/14276 | 43 |
| 34,925 | 76,20 | 29,37 | 31594/31520 | 43 |
| 34,988 | 59,131 | 15,875 | L 68149/110 | 43 |
| 34,988 | 59,974 | 15,875 | L68149/111 | 43 |
| 35 | 44 | 5 | 61707 | 4 |
| 35 | 44 | 5 | 61707-ZZ | 6 |
| 35 | 47 | 7 | 61807 | 4 |
| 35 | 47 | 7 | 61807-2RS | 7 |
| 35 | 47 | 7 | 61807-2RZ | 9 |
| 35 | 52 | 12 | 51107 | 51 |
| 35 | 55 | 10 | 61907 | 4 |
| 35 | 55 | 10 | 61907-2RS | 7 |
| 35 | 55 | 10 | 61907-2RZ | 9 |
| 35 | 62 | 9 | 16007 | 4 |
| 35 | 62 | 14 | 6007 | 4 |
| 35 | 62 | 14 | 6007-Z | 5 |
| 35 | 62 | 14 | 6007-ZZ | 6 |
| 35 | 62 | 14 | 6007-2RS | 7 |
| 35 | 62 | 14 | 6007-RS | 8 |
| 35 | 62 | 14 | 6007-2RZ | 9 |
| 35 | 62 | 14 | 6007-RZ | 10 |
| 35 | 62 | 14 | 6007 N | 11 |
| 35 | 62 | 14 | 6007 NR | 12 |
| 35 | 62 | 14 | NU 1007 | 32 |
| 35 | 62 | 18 | 32007 | 43 |
| 35 | 62 | 18 | 51207 | 51 |
| 35 | 62 | 20 | 63007-2RS | 7 |
| 35 | 62 | 20 | NN 3007 K/SP | 38 |
| 35 | 62 | 20 | NN 3007/SP | 38 |
| 35 | 62 | 22 | 53207 | 52 |
| 35 | 62 | 36 | SL045007-PP | 39 |
| 35 | 68 | 24 | 51307 | 51 |
| 35 | 68 | 28 | 53307 | 52 |
| 35 | 72 | 17 | 6207 | 4 |
| 35 | 72 | 17 | 6207-Z | 5 |
| 35 | 72 | 17 | 6207-ZZ | 6 |
| 35 | 72 | 17 | 6207-2RS | 7 |
| 35 | 72 | 17 | 6207-RS | 8 |
| 35 | 72 | 17 | 6207 N | 11 |
| 35 | 72 | 17 | 6207 NR | 12 |
| 35 | 72 | 17 | 6207-ZNR | 13 |
| 35 | 72 | 17 | 6207-ZZNR | 14 |
| 35 | 72 | 17 | 6207 2RS BOMB | 16 |
| 35 | 72 | 17 | 7207 B | 17 |
| 35 | 72 | 17 | QJ 207 N2M | 22 |
| 35 | 72 | 17 | 1207 TN9 | 23 |
| 35 | 72 | 17 | 1207 KTN9 | 24 |
| 35 | 72 | 17 | NU 207 | 32 |
| 35 | 72 | 17 | NJ 207 | 33 |
| 35 | 72 | 17 | NUP 207 | 34 |

| Dimension (mm) Dimensioni (mm) | | | Designation Sigla | Fig. |
|-----------------------------------|----|-------|----------------------|------|
| d | D | B | | |
| 35 | 72 | 17 | N 207 | 35 |
| 35 | 72 | 18,20 | 30207 | 43 |
| 35 | 72 | 23 | 62207-2RS | 7 |
| 35 | 72 | 23 | 4207 ATN9 | 15 |
| 35 | 72 | 23 | 2207 TN9 | 23 |
| 35 | 72 | 23 | 2207TN9 | 23 |
| 35 | 72 | 23 | 2207 KTN9 | 24 |
| 35 | 72 | 23 | 2207-2RSTN9 | 25 |
| 35 | 72 | 23 | 2207-2RSKTN9 | 26 |
| 35 | 72 | 23 | NU 2207 | 32 |
| 35 | 72 | 23 | NJ 2207 | 33 |
| 35 | 72 | 23 | NUP 2207 | 34 |
| 35 | 72 | 23 | 22207 | 45 |
| 35 | 72 | 23 | 22207 K | 46 |
| 35 | 72 | 24,25 | 32207 | 43 |
| 35 | 72 | 27 | 3207 A | 18 |
| 35 | 72 | 27 | 3207 ATN9 | 18 |
| 35 | 72 | 27 | 3207-ZZ | 20 |
| 35 | 72 | 27 | 3207-2RS | 21 |
| 35 | 72 | 28 | 33207 | 43 |
| 35 | 72 | 28 | 22207-2RS | 47 |
| 35 | 72 | 52 | 11207 TN9 | 27 |
| 35 | 73 | 37 | 52209 | 54 |
| 35 | 73 | 45 | 54209 | 55 |
| 35 | 80 | 17 | LR 207 NPP | 30 |
| 35 | 80 | 17 | LR 207 NPPU | 31 |
| 35 | 80 | 21 | 6307 | 4 |
| 35 | 80 | 21 | 6307-Z | 5 |
| 35 | 80 | 21 | 6307-ZZ | 6 |
| 35 | 80 | 21 | 6307-2RS | 7 |
| 35 | 80 | 21 | 6307-RS | 8 |
| 35 | 80 | 21 | 6307 N | 11 |
| 35 | 80 | 21 | 6307 NR | 12 |
| 35 | 80 | 21 | 6307-ZNR | 13 |
| 35 | 80 | 21 | 6307-ZZNR | 14 |
| 35 | 80 | 21 | 7307 B | 17 |
| 35 | 80 | 21 | QJ 307 N2M | 22 |
| 35 | 80 | 21 | 1307 TN9 | 23 |
| 35 | 80 | 21 | 1307 KTN9 | 24 |
| 35 | 80 | 21 | NU 307 | 32 |
| 35 | 80 | 21 | NJ 307 | 33 |
| 35 | 80 | 21 | NUP 307 | 34 |
| 35 | 80 | 21 | N 307 | 35 |
| 35 | 80 | 21 | 21307 | 45 |
| 35 | 80 | 21 | 21307 K | 46 |
| 35 | 80 | 22,75 | 30307 | 43 |
| 35 | 80 | 22,75 | 31307 | 43 |
| 35 | 80 | 27 | LR 5207 KDD | 28 |
| 35 | 80 | 27 | LR 5207 KDDU | 29 |
| 35 | 80 | 31 | 62307-2RS | 7 |
| 35 | 80 | 31 | 4307 ATN9 | 15 |
| 35 | 80 | 31 | 2307 TN9 | 23 |
| 35 | 80 | 31 | 2307 KTN9 | 24 |
| 35 | 80 | 31 | 2307-2RSTN9 | 25 |
| 35 | 80 | 31 | NU 2307 | 32 |
| 35 | 80 | 31 | NJ 2307 | 33 |

| Dimension (mm) Dimensioni (mm) | | | Designation Sigla | Fig. |
|-----------------------------------|--------|--------|-----------------------|------|
| d | D | B | | |
| 35 | 80 | 31 | NUP 2307 | 34 |
| 35 | 80 | 32 | 51407 | 51 |
| 35 | 80 | 32,75 | 32307 | 43 |
| 35 | 80 | 34,90 | 3307 A | 18 |
| 35 | 80 | 34,90 | 3307 ATN9 | 18 |
| 35 | 80 | 34,90 | 3307-ZZ | 20 |
| 35 | 80 | 34,90 | 3307-2RS | 21 |
| 35 | 80 | 45,50 | 31307 J/DF | 44 |
| 35 | 85 | 52 | 52309 | 54 |
| 35 | 85 | 62 | 54309 | 55 |
| 35 | 90 | 34,90 | LR 5307 KDDU | 29 |
| 35 | 100 | 25 | 6407 | 4 |
| 35 | 100 | 25 | 6407 N | 11 |
| 35 | 100 | 25 | 6407 NR | 12 |
| 35 | 100 | 25 | NU 407 | 32 |
| 35 | 100 | 25 | NJ 407 | 33 |
| 35 | 100 | 72 | 52409 | 54 |
| 35 | 100 | 86 | 54409 | 55 |
| 36 | 50 | 5,50 | U 205 | 53 |
| 36,487 | 73,025 | 23,812 | 25880/25820 | 43 |
| 38,10 | 7 | | HJ 305 | 36 |
| 38,10 | 8 | | HJ 2305 | 36 |
| 38,10 | 65,09 | 18,03 | LM 29748/710 | 43 |
| 38,10 | 65,09 | 18,03 | LM 29749/710 | 43 |
| 38,10 | 65,09 | 19,81 | LM 29749/711 | 43 |
| 38,10 | 72,24 | 20,64 | 16150/16284 | 43 |
| 38,10 | 72,24 | 23,81 | 16150/16283 | 43 |
| 38,10 | 88,50 | 26,99 | 418/414 | 43 |
| 39,688 | 73,025 | 25,654 | M 201047/11 | 43 |
| 40 | 50 | 6 | 61708 | 4 |
| 40 | 50 | 6 | 61708-ZZ | 6 |
| 40 | 52 | 7 | 61808-2RS | 7 |
| 40 | 52 | 7 | 61808-2RZ | 9 |
| 40 | 60 | 13 | 51108 | 51 |
| 40 | 62 | 7 | 61808 | 4 |
| 40 | 62 | 12 | 61908 | 4 |
| 40 | 62 | 12 | 61908-2RS | 7 |
| 40 | 62 | 12 | 61908-2RZ | 9 |
| 40 | 68 | 9 | 16008 | 4 |
| 40 | 68 | 15 | 6008 | 4 |
| 40 | 68 | 15 | 6008-Z | 5 |
| 40 | 68 | 15 | 6008-ZZ | 6 |
| 40 | 68 | 15 | 6008-2RS | 7 |
| 40 | 68 | 15 | 6008-RS | 8 |
| 40 | 68 | 15 | 6008-2RZ | 9 |
| 40 | 68 | 15 | 6008-RZ | 10 |
| 40 | 68 | 15 | 6008 N | 11 |
| 40 | 68 | 15 | 6008 NR | 12 |
| 40 | 68 | 15 | NU 1008 | 32 |
| 40 | 68 | 19 | 32008 | 43 |
| 40 | 68 | 19 | 51208 | 51 |
| 40 | 68 | 21 | 63008-2RS | 7 |
| 40 | 68 | 21 | NN 3008 KTN/SP | 38 |
| 40 | 68 | 21 | NN 3008 TN/SP | 38 |
| 40 | 68 | 23 | 53208 | 52 |
| 40 | 68 | 38 | SL045008-PP | 39 |

| Dimension (mm) Dimensioni (mm) | | | Designation Sigla | Fig. |
|-----------------------------------|----|-------|----------------------|------|
| d | D | B | | |
| 40 | 75 | 26 | 33108 | 43 |
| 40 | 78 | 26 | 51308 | 51 |
| 40 | 78 | 31 | 53308 | 52 |
| 40 | 79 | 39 | 52210 | 54 |
| 40 | 80 | 18 | 6208 | 4 |
| 40 | 80 | 18 | 6208-Z | 5 |
| 40 | 80 | 18 | 6208-ZZ | 6 |
| 40 | 80 | 18 | 6208-2RS | 7 |
| 40 | 80 | 18 | 6208-RS | 8 |
| 40 | 80 | 18 | 6208-2RZ | 9 |
| 40 | 80 | 18 | 6208-RZ | 10 |
| 40 | 80 | 18 | 6208 N | 11 |
| 40 | 80 | 18 | 6208 NR | 12 |
| 40 | 80 | 18 | 6208-ZNR | 13 |
| 40 | 80 | 18 | 6208-ZZNR | 14 |
| 40 | 80 | 18 | 6208 2RS BOMB | 16 |
| 40 | 80 | 18 | 7208 B | 17 |
| 40 | 80 | 18 | QJ 208 N2M | 22 |
| 40 | 80 | 18 | 1208 TN9 | 23 |
| 40 | 80 | 18 | 1208 KTN9 | 24 |
| 40 | 80 | 18 | NU 208 | 32 |
| 40 | 80 | 18 | NJ 208 | 33 |
| 40 | 80 | 18 | NUP 208 | 34 |
| 40 | 80 | 18 | N 208 | 35 |
| 40 | 80 | 19,75 | 30208 | 43 |
| 40 | 80 | 23 | 62208-2RS | 7 |
| 40 | 80 | 23 | 4208 ATN9 | 15 |
| 40 | 80 | 23 | 2208 TN9 | 23 |
| 40 | 80 | 23 | 2208 KTN9 | 24 |
| 40 | 80 | 23 | 2208-2RSTN9 | 25 |
| 40 | 80 | 23 | 2208-2RSKTN9 | 26 |
| 40 | 80 | 23 | NU 2208 | 32 |
| 40 | 80 | 23 | NJ 2208 | 33 |
| 40 | 80 | 23 | NUP 2208 | 34 |
| 40 | 80 | 23 | 22208 | 45 |
| 40 | 80 | 23 | 22208 K | 46 |
| 40 | 80 | 24,75 | 32208 | 43 |
| 40 | 80 | 28 | 22208-2RS | 47 |
| 40 | 80 | 28 | 22208-2RSK | 48 |
| 40 | 80 | 30,20 | 3208 A | 18 |
| 40 | 80 | 30,20 | 3208 ATN9 | 18 |
| 40 | 80 | 30,20 | 3208-ZZ | 20 |
| 40 | 80 | 30,20 | 3208-2RS | 21 |
| 40 | 80 | 32 | 33208 | 43 |
| 40 | 80 | 56 | 11208 TN9 | 27 |
| 40 | 85 | 18 | LR 208 NPP | 30 |
| 40 | 85 | 18 | LR 208 NPPU | 31 |
| 40 | 85 | 30,20 | LR 5208 KDD | 28 |
| 40 | 85 | 30,20 | LR 5208 KDDU | 29 |
| 40 | 90 | 23 | 6308 | 4 |
| 40 | 90 | 23 | 6308-Z | 5 |
| 40 | 90 | 23 | 6308-ZZ | 6 |
| 40 | 90 | 23 | 6308-2RS | 7 |
| 40 | 90 | 23 | 6308-RS | 8 |
| 40 | 90 | 23 | 6308-2RZ | 9 |
| 40 | 90 | 23 | 6308-RZ | 10 |

| Dimension (mm) Dimensioni (mm) | | | Designation Sigla | Fig. |
|-----------------------------------|--------|--------|----------------------|------|
| d | D | B | | |
| 40 | 90 | 23 | 6308 N | 11 |
| 40 | 90 | 23 | 6308 NR | 12 |
| 40 | 90 | 23 | 6308-ZNR | 13 |
| 40 | 90 | 23 | 6308-ZZNR | 14 |
| 40 | 90 | 23 | 7308 B | 17 |
| 40 | 90 | 23 | QJ 308 N2M | 22 |
| 40 | 90 | 23 | 1308 TN9 | 23 |
| 40 | 90 | 23 | 1308 KTN9 | 24 |
| 40 | 90 | 23 | NU 308 | 32 |
| 40 | 90 | 23 | NJ 308 | 33 |
| 40 | 90 | 23 | NUP 308 | 34 |
| 40 | 90 | 23 | N 308 | 35 |
| 40 | 90 | 23 | 21308 | 45 |
| 40 | 90 | 23 | 21308 K | 46 |
| 40 | 90 | 25,25 | 30308 | 43 |
| 40 | 90 | 25,25 | 31308 | 43 |
| 40 | 90 | 33 | 62308-2RS | 7 |
| 40 | 90 | 33 | 4308 ATN9 | 15 |
| 40 | 90 | 33 | 2308 TN9 | 23 |
| 40 | 90 | 33 | 2308 KTN9 | 24 |
| 40 | 90 | 33 | 2308-2RSTN9 | 25 |
| 40 | 90 | 33 | NU 2308 | 32 |
| 40 | 90 | 33 | NJ 2308 | 33 |
| 40 | 90 | 33 | NUP 2308 | 34 |
| 40 | 90 | 33 | 22308 | 45 |
| 40 | 90 | 33 | 22308 K | 46 |
| 40 | 90 | 33 | 22308 VA | 49 |
| 40 | 90 | 35,25 | 32308 | 43 |
| 40 | 90 | 36 | 51408 | 51 |
| 40 | 90 | 36,50 | 3308 A | 18 |
| 40 | 90 | 36,50 | 3308 ATN9 | 18 |
| 40 | 90 | 36,50 | 3308 D | 19 |
| 40 | 90 | 36,50 | 3308 DTN9 | 19 |
| 40 | 90 | 36,50 | 3308-ZZ | 20 |
| 40 | 90 | 36,50 | 3308-2RS | 21 |
| 40 | 90 | 38 | 22308-2RS | 47 |
| 40 | 90 | 42 | 53408 | 52 |
| 40 | 90 | 50,50 | 31308J/DF | 44 |
| 40 | 95 | 58 | 52310 | 54 |
| 40 | 95 | 70 | 54310 | 55 |
| 40 | 100 | 36,50 | LR 5308 KDDU | 29 |
| 40 | 100 | 92 | 54410 | 55 |
| 40 | 110 | 27 | 6408 | 4 |
| 40 | 110 | 27 | 6408 N | 11 |
| 40 | 110 | 27 | 6408 NR | 12 |
| 40 | 110 | 27 | NU 408 | 32 |
| 40 | 110 | 27 | NJ 408 | 33 |
| 40,988 | 67,75 | 17,50 | LM 300849/811 | 43 |
| 41,20 | 7 | | HJ 206 | 36 |
| 41,275 | 73,025 | 16,667 | 18590/18520 | 43 |
| 41,275 | 73,431 | 19,558 | LM 501349/310 | 43 |
| 41,275 | 73,431 | 21,43 | LM 501349/314 | 43 |
| 41,275 | 76,20 | 18,009 | 11162/11300 | 43 |
| 41,275 | 76,20 | 18,009 | 11163/11300 | 43 |
| 41,275 | 76,20 | 22,225 | 24780/24720 | 43 |
| 41,275 | 87,312 | 30,162 | 3585/3525 | 43 |

| Dimension (mm) Dimensioni (mm) | | | Designation Sigla | Fig. |
|-----------------------------------|--------|--------|-----------------------|------|
| d | D | B | | |
| 41,275 | 88,90 | 30,162 | HM 803146/110 | 43 |
| 41,275 | 101,60 | 34,925 | 526/52210 | 43 |
| 42 | 55 | 5,50 | U 206 | 53 |
| 44,45 | 82,931 | 23,812 | 25580/25520 | 43 |
| 44,45 | 82,931 | 26,988 | 25580/25523 | 43 |
| 44,45 | 83,058 | 23,876 | 25580/25522 | 43 |
| 44,45 | 88,90 | 30,162 | HM 803149/110 | 43 |
| 44,45 | 95,25 | 30,958 | 53178/53377 | 43 |
| 45 | 8,50 | | HJ 306 | 36 |
| 45 | 55 | 6 | 61709 | 4 |
| 45 | 55 | 6 | 61709-ZZ | 6 |
| 45 | 58 | 7 | 61809 | 4 |
| 45 | 58 | 7 | 61809-2RS | 7 |
| 45 | 58 | 7 | 61809-2RZ | 9 |
| 45 | 62 | 7 | U 306 | 53 |
| 45 | 62 | 7 | U 306 | 56 |
| 45 | 65 | 14 | 51109 | 51 |
| 45 | 68 | 12 | 61909 | 4 |
| 45 | 68 | 12 | 61909-2RS | 7 |
| 45 | 68 | 12 | 61909-2RZ | 9 |
| 45 | 73 | 20 | 51209 | 51 |
| 45 | 73 | 24 | 53209 | 52 |
| 45 | 75 | 10 | 16009 | 4 |
| 45 | 75 | 16 | 6009 | 4 |
| 45 | 75 | 16 | 6009-Z | 5 |
| 45 | 75 | 16 | 6009-ZZ | 6 |
| 45 | 75 | 16 | 6009-2RS | 7 |
| 45 | 75 | 16 | 6009-RS | 8 |
| 45 | 75 | 16 | 6009 N | 11 |
| 45 | 75 | 16 | 6009 NR | 12 |
| 45 | 75 | 16 | NU 1009 | 32 |
| 45 | 75 | 20,90 | 32009 | 43 |
| 45 | 75 | 23 | NN 3009 KTN/SP | 38 |
| 45 | 75 | 23 | NN 3009 TN/SP | 38 |
| 45 | 75 | 40 | SL045009-PP | 39 |
| 45 | 80 | 26 | 33109 | 43 |
| 45 | 85 | 19 | 6209 | 4 |
| 45 | 85 | 19 | 6209-Z | 5 |
| 45 | 85 | 19 | 6209-ZZ | 6 |
| 45 | 85 | 19 | 6209-2RS | 7 |
| 45 | 85 | 19 | 6209-RS | 8 |
| 45 | 85 | 19 | 6209 N | 11 |
| 45 | 85 | 19 | 6209 NR | 12 |
| 45 | 85 | 19 | 6209-ZNR | 13 |
| 45 | 85 | 19 | 6209-ZZNR | 14 |
| 45 | 85 | 19 | 6209 2RS BOMB | 16 |
| 45 | 85 | 19 | 7209 B | 17 |
| 45 | 85 | 19 | QJ 209 N2M | 22 |
| 45 | 85 | 19 | 1209 TN9 | 23 |
| 45 | 85 | 19 | 1209 KTN9 | 24 |
| 45 | 85 | 19 | NU 209 | 32 |
| 45 | 85 | 19 | NJ 209 | 33 |
| 45 | 85 | 19 | NUP 209 | 34 |
| 45 | 85 | 19 | N 209 | 35 |
| 45 | 85 | 20,75 | 30209 | 43 |
| 45 | 85 | 23 | 62209-2RS | 7 |

| Dimension (mm) Dimensioni (mm) | | | Designation Sigla | Fig. |
|-----------------------------------|-----|-------|----------------------|------|
| d | D | B | | |
| 45 | 85 | 23 | 4209 ATN9 | 15 |
| 45 | 85 | 23 | 2209 TN9 | 23 |
| 45 | 85 | 23 | 2209 KTN9 | 24 |
| 45 | 85 | 23 | 2209-2RSTN9 | 25 |
| 45 | 85 | 23 | 2209-2RSKTN9 | 26 |
| 45 | 85 | 23 | NU 2209 | 32 |
| 45 | 85 | 23 | NJ 2209 | 33 |
| 45 | 85 | 23 | NUP 2209 | 34 |
| 45 | 85 | 23 | 22209 | 45 |
| 45 | 85 | 23 | 22209 K | 46 |
| 45 | 85 | 24,75 | 32209 | 43 |
| 45 | 85 | 28 | 22209-2RS | 47 |
| 45 | 85 | 28 | 22209-2RSK | 48 |
| 45 | 85 | 28 | 51309 | 51 |
| 45 | 85 | 30,20 | 3209 A | 18 |
| 45 | 85 | 30,20 | 3209 ATN9 | 18 |
| 45 | 85 | 30,20 | 3209-ZZ | 20 |
| 45 | 85 | 30,20 | 3209-2RS | 21 |
| 45 | 85 | 32 | 33209 | 43 |
| 45 | 85 | 33 | 53309 | 52 |
| 45 | 85 | 58 | 11209 TN9 | 27 |
| 45 | 90 | 19 | LR 209 NPP | 30 |
| 45 | 90 | 19 | LR 209 NPPU | 31 |
| 45 | 90 | 45 | 52211 | 54 |
| 45 | 90 | 55 | 54211 | 55 |
| 45 | 100 | 25 | 6309 | 4 |
| 45 | 100 | 25 | 6309-Z | 5 |
| 45 | 100 | 25 | 6309-ZZ | 6 |
| 45 | 100 | 25 | 6309-2RS | 7 |
| 45 | 100 | 25 | 6309-RS | 8 |
| 45 | 100 | 25 | 6309 N | 11 |
| 45 | 100 | 25 | 6309 NR | 12 |
| 45 | 100 | 25 | 6309-ZNR | 13 |
| 45 | 100 | 25 | 6309-ZZNR | 14 |
| 45 | 100 | 25 | 7309 B | 17 |
| 45 | 100 | 25 | QJ 309 N2M | 22 |
| 45 | 100 | 25 | 1309 TN9 | 23 |
| 45 | 100 | 25 | 1309 KTN9 | 24 |
| 45 | 100 | 25 | NU 309 | 32 |
| 45 | 100 | 25 | NJ 309 | 33 |
| 45 | 100 | 25 | NUP 309 | 34 |
| 45 | 100 | 25 | N 309 | 35 |
| 45 | 100 | 25 | 21309 | 45 |
| 45 | 100 | 25 | 21309 K | 46 |
| 45 | 100 | 27,25 | 30309 | 43 |
| 45 | 100 | 27,25 | 31309 | 43 |
| 45 | 100 | 36 | 62309-2RS | 7 |
| 45 | 100 | 36 | 4309 ATN9 | 15 |
| 45 | 100 | 36 | 2309 TN9 | 23 |
| 45 | 100 | 36 | 2309 KTN9 | 24 |
| 45 | 100 | 36 | 2309-2RSTN9 | 25 |
| 45 | 100 | 36 | NU 2309 | 32 |
| 45 | 100 | 36 | NJ 2309 | 33 |
| 45 | 100 | 36 | NUP 2309 | 34 |
| 45 | 100 | 36 | 22309 | 45 |
| 45 | 100 | 36 | 22309 K | 46 |

| Dimension (mm) Dimensioni (mm) | | | Designation Sigla | Fig. |
|-----------------------------------|--------|--------|----------------------|------|
| d | D | B | | |
| 45 | 100 | 36 | 22309 VA | 49 |
| 45 | 100 | 38,25 | 32309 | 43 |
| 45 | 100 | 39 | 51409 | 51 |
| 45 | 100 | 39,70 | 3309 A | 18 |
| 45 | 100 | 39,70 | 3309 ATN9 | 18 |
| 45 | 100 | 39,70 | 3309 D | 19 |
| 45 | 100 | 39,70 | 3309-ZZ | 20 |
| 45 | 100 | 39,70 | 3309-2RS | 21 |
| 45 | 100 | 54,50 | 31309 J/CDF | 44 |
| 45 | 105 | 64 | 52311 | 54 |
| 45 | 120 | 29 | 6409 | 4 |
| 45 | 120 | 29 | 6409 N | 11 |
| 45 | 120 | 29 | 6409 NR | 12 |
| 45 | 120 | 29 | NU 409 | 32 |
| 45 | 120 | 29 | NJ 409 | 33 |
| 45 | 120 | 87 | 52411 | 54 |
| 45 | 75 | 23 | 63009-2RS | 7 |
| 45,237 | 87,313 | 30,162 | 3586/3525 | 43 |
| 45,242 | 73,431 | 19,558 | LM 102949/910 | 43 |
| 45,242 | 77,788 | 19,842 | LM 603049/011 | 43 |
| 45,618 | 82,931 | 23,812 | 25590/25520 | 43 |
| 45,618 | 82,931 | 26,988 | 25590/25523 | 43 |
| 45,618 | 83,058 | 23,876 | 25590/25522 | 43 |
| 46,038 | 79,375 | 17,462 | 18690/18620 | 43 |
| 47,625 | 101,60 | 34,925 | 528 R/522 | 43 |
| 48 | 65 | 7 | U 207 | 56 |
| 48 | 65 | 7,50 | U 207 | 53 |
| 48,10 | 7 | | HJ 207 | 36 |
| 50 | 65 | 7 | 61810 | 4 |
| 50 | 65 | 7 | 61810-2RS | 7 |
| 50 | 65 | 7 | 61810-2RZ | 9 |
| 50 | 70 | 14 | 51110 | 51 |
| 50 | 72 | 7 | U 208 | 53 |
| 50 | 72 | 12 | 61910 | 4 |
| 50 | 72 | 12 | 61910-2RS | 7 |
| 50 | 72 | 12 | 61910-2RZ | 9 |
| 50 | 72 | 28 | 234910 | 57 |
| 50 | 78 | 22 | 51210 | 51 |
| 50 | 78 | 26 | 53210 | 52 |
| 50 | 80 | 10 | 16010 | 4 |
| 50 | 80 | 16 | 6010 | 4 |
| 50 | 80 | 16 | 6010-Z | 5 |
| 50 | 80 | 16 | 6010-ZZ | 6 |
| 50 | 80 | 16 | 6010-2RS | 7 |
| 50 | 80 | 16 | 6010-RS | 8 |
| 50 | 80 | 16 | 6010-2RZ | 9 |
| 50 | 80 | 16 | 6010-RZ | 10 |
| 50 | 80 | 16 | 6010 N | 11 |
| 50 | 80 | 16 | 6010 NR | 12 |
| 50 | 80 | 16 | NU 1010 | 32 |
| 50 | 80 | 20 | 32010 | 43 |
| 50 | 80 | 23 | 63010-2RS | 7 |
| 50 | 80 | 23 | NN 3010 KTN/SP | 38 |
| 50 | 80 | 23 | NN 3010 TN/SP | 38 |
| 50 | 80 | 24 | 33010 | 43 |
| 50 | 80 | 38 | 234410 | 57 |

| Dimension (mm) Dimensioni (mm) | | | Designation Sigla | Fig. |
|-----------------------------------|-----|-------|----------------------|------|
| d | D | B | | |
| 50 | 80 | 40 | SL0450010-PP | 39 |
| 50 | 85 | 26 | 33110 | 43 |
| 50 | 90 | 11 | 98210 | 4 |
| 50 | 90 | 20 | 6210 | 4 |
| 50 | 90 | 20 | 6210-Z | 5 |
| 50 | 90 | 20 | 6210-ZZ | 6 |
| 50 | 90 | 20 | 6210-2RS | 7 |
| 50 | 90 | 20 | 6210-RS | 8 |
| 50 | 90 | 20 | 6210-2RZ | 9 |
| 50 | 90 | 20 | 6210-RZ | 10 |
| 50 | 90 | 20 | 6210 N | 11 |
| 50 | 90 | 20 | 6210 NR | 12 |
| 50 | 90 | 20 | 6210-ZNR | 13 |
| 50 | 90 | 20 | 6210-ZZNR | 14 |
| 50 | 90 | 20 | 6210 2RS BOMB | 16 |
| 50 | 90 | 20 | 7210 B | 17 |
| 50 | 90 | 20 | QJ 210 N2 M | 22 |
| 50 | 90 | 20 | 1210 TN9 | 23 |
| 50 | 90 | 20 | 1210 KTN9 | 24 |
| 50 | 90 | 20 | NU 210 | 32 |
| 50 | 90 | 20 | NJ 210 | 33 |
| 50 | 90 | 20 | NUP 210 | 34 |
| 50 | 90 | 20 | N 210 | 35 |
| 50 | 90 | 21,75 | 30210 | 43 |
| 50 | 90 | 23 | 62210-2RS | 7 |
| 50 | 90 | 23 | 4210 ATN9 | 15 |
| 50 | 90 | 23 | 2210 TN9 | 23 |
| 50 | 90 | 23 | 2210 KTN9 | 24 |
| 50 | 90 | 23 | 2210-2RSTN9 | 25 |
| 50 | 90 | 23 | 2210-2RSKTN9 | 26 |
| 50 | 90 | 23 | NU 2210 | 32 |
| 50 | 90 | 23 | NJ 2210 | 33 |
| 50 | 90 | 23 | NUP 2210 | 34 |
| 50 | 90 | 23 | 22210 | 45 |
| 50 | 90 | 23 | 22210 K | 46 |
| 50 | 90 | 24,75 | 32210 | 43 |
| 50 | 90 | 28 | 22210-2RS | 47 |
| 50 | 90 | 28 | 22210-2RSK | 48 |
| 50 | 90 | 30,20 | 3210 A | 18 |
| 50 | 90 | 30,20 | 3210 ATN9 | 18 |
| 50 | 90 | 30,20 | 3210-ZZ | 20 |
| 50 | 90 | 30,20 | 3210-2RS | 21 |
| 50 | 90 | 32 | 33210 | 43 |
| 50 | 90 | 43,50 | 30210 J/DF | 44 |
| 50 | 90 | 58 | 11210 TN9 | 27 |
| 50 | 95 | 31 | 51310 | 51 |
| 50 | 95 | 37 | 53310 | 52 |
| 50 | 95 | 46 | 52212 | 54 |
| 50 | 110 | 27 | 6310 | 4 |
| 50 | 110 | 27 | 6310-Z | 5 |
| 50 | 110 | 27 | 6310-ZZ | 6 |
| 50 | 110 | 27 | 6310-2RS | 7 |
| 50 | 110 | 27 | 6310-RS | 8 |
| 50 | 110 | 27 | 6310 N | 11 |
| 50 | 110 | 27 | 6310 NR | 12 |
| 50 | 110 | 27 | 6310-ZNR | 13 |

| Dimension (mm) Dimensioni (mm) | | | Designation Sigla | Fig. |
|-----------------------------------|--------|--------|----------------------|------|
| d | D | B | | |
| 50 | 110 | 27 | 6310-ZZNR | 14 |
| 50 | 110 | 27 | 7310 B | 17 |
| 50 | 110 | 27 | QJ 310 N2M | 22 |
| 50 | 110 | 27 | 1310 TN9 | 23 |
| 50 | 110 | 27 | 1310 KTN9 | 24 |
| 50 | 110 | 27 | NU 310 | 32 |
| 50 | 110 | 27 | NJ 310 | 33 |
| 50 | 110 | 27 | NUP 310 | 34 |
| 50 | 110 | 27 | N 310 | 35 |
| 50 | 110 | 27 | 21310 | 45 |
| 50 | 110 | 27 | 21310 K | 46 |
| 50 | 110 | 29 | 30310 | 43 |
| 50 | 110 | 29,25 | 31310 | 43 |
| 50 | 110 | 40 | 62310-2RS | 7 |
| 50 | 110 | 40 | 4310 ATN9 | 15 |
| 50 | 110 | 40 | 2310 | 23 |
| 50 | 110 | 40 | 2310 K | 24 |
| 50 | 110 | 40 | 2310-2RSTN9 | 25 |
| 50 | 110 | 40 | NU 2310 | 32 |
| 50 | 110 | 40 | NJ 2310 | 33 |
| 50 | 110 | 40 | NUP 2310 | 34 |
| 50 | 110 | 40 | 22310 | 45 |
| 50 | 110 | 40 | 22310 K | 46 |
| 50 | 110 | 40 | 22310 VA | 49 |
| 50 | 110 | 42,25 | 32310 | 43 |
| 50 | 110 | 43 | 51410 | 51 |
| 50 | 110 | 44,40 | 3310 A | 18 |
| 50 | 110 | 44,40 | 3310 ATN9 | 18 |
| 50 | 110 | 44,40 | 3310 D | 19 |
| 50 | 110 | 44,40 | 3310-ZZ | 20 |
| 50 | 110 | 44,40 | 3310-2RS | 21 |
| 50 | 110 | 50 | 53410 | 52 |
| 50 | 110 | 58,50 | 31310 J/DF | 44 |
| 50 | 110 | 64 | 52312 | 54 |
| 50 | 110 | 78 | 54312 | 55 |
| 50 | 130 | 31 | 6410 | 4 |
| 50 | 130 | 31 | 6410 N | 11 |
| 50 | 130 | 31 | NU 410 | 32 |
| 50 | 130 | 31 | NJ 410 | 33 |
| 50 | 130 | 93 | 52412 M | 54 |
| 50 | 139,70 | 31 | 6410 NR | 12 |
| 50,50 | 11,50 | | HJ 406 | 36 |
| 50,80 | 82,55 | 21,59 | LM 104949/911 | 43 |
| 50,80 | 85 | 17,46 | 18790/18720 | 43 |
| 50,80 | 88,90 | 20,64 | 368 A/362 A | 43 |
| 50,80 | 93,264 | 30,162 | 3780/3720 | 43 |
| 50,80 | 97,63 | 24,61 | 28678/28622 B | 43 |
| 50,80 | 104,78 | 39,688 | 4580/2/4535/2 | 43 |
| 50,80 | 107,95 | 36,512 | 537/532 X | 43 |
| 51 | 9,50 | | HJ 307 | 36 |
| 52 | 72 | 7 | U 307 | 53 |
| 52 | 72 | 7,50 | U 307 | 56 |
| 53,975 | 88,90 | 19,05 | LM 806649/610 | 43 |
| 53,975 | 95,25 | 27,783 | 33895/33821 | 43 |
| 53,975 | 95,25 | 27,783 | 33895/33822 | 43 |
| 54 | 8,50 | | HJ 208 | 36 |

| Dimension (mm) Dimensioni (mm) | | | Designation Sigla | Fig. |
|-----------------------------------|-----|-------|-----------------------|------|
| d | D | B | | |
| 54 | 9 | | HJ 2208 | 36 |
| 55 | 72 | 7 | U 208 | 56 |
| 55 | 72 | 9 | 61811 | 4 |
| 55 | 72 | 9 | 61811-2RS | 7 |
| 55 | 72 | 9 | 61811-2RZ | 9 |
| 55 | 78 | 16 | 51111 | 51 |
| 55 | 80 | 13 | 61911 | 4 |
| 55 | 80 | 13 | 61911-2RS | 7 |
| 55 | 80 | 13 | 61911-2RZ | 9 |
| 55 | 90 | 11 | 16011 | 4 |
| 55 | 90 | 18 | 6011 | 4 |
| 55 | 90 | 18 | 6011-Z | 5 |
| 55 | 90 | 18 | 6011-ZZ | 6 |
| 55 | 90 | 18 | 6011-2RS | 7 |
| 55 | 90 | 18 | 6011-RS | 8 |
| 55 | 90 | 18 | 6011 N | 11 |
| 55 | 90 | 18 | 6011 NR | 12 |
| 55 | 90 | 18 | NU 1011 | 32 |
| 55 | 90 | 23 | 32011 | 43 |
| 55 | 90 | 25 | 51211 | 51 |
| 55 | 90 | 26 | NN 3011 KTN/SP | 38 |
| 55 | 90 | 26 | NN 3011 TN/SP | 38 |
| 55 | 90 | 27 | 33011 | 43 |
| 55 | 90 | 30 | 53211 | 52 |
| 55 | 90 | 46 | SL0450011-PP | 39 |
| 55 | 90 | 54 | 33011/DF03C170 | 44 |
| 55 | 95 | 30 | 33111 | 43 |
| 55 | 100 | 21 | 6211 | 4 |
| 55 | 100 | 21 | 6211-Z | 5 |
| 55 | 100 | 21 | 6211-ZZ | 6 |
| 55 | 100 | 21 | 6211-2RS | 7 |
| 55 | 100 | 21 | 6211-RS | 8 |
| 55 | 100 | 21 | 6211 N | 11 |
| 55 | 100 | 21 | 6211 NR | 12 |
| 55 | 100 | 21 | 6211-ZNR | 13 |
| 55 | 100 | 21 | 6211-ZZNR | 14 |
| 55 | 100 | 21 | 6211 2RS BOMB | 16 |
| 55 | 100 | 21 | 7211 B | 17 |
| 55 | 100 | 21 | QJ 211 N2M | 22 |
| 55 | 100 | 21 | 1211 TN9 | 23 |
| 55 | 100 | 21 | 1211 KTN9 | 24 |
| 55 | 100 | 21 | NU 211 | 32 |
| 55 | 100 | 21 | NJ 211 | 33 |
| 55 | 100 | 21 | NUP 211 | 34 |
| 55 | 100 | 21 | N 211 | 35 |
| 55 | 100 | 22,75 | 30211 | 43 |
| 55 | 100 | 25 | 62211-2RS | 7 |
| 55 | 100 | 25 | 4211 ATN9 | 15 |
| 55 | 100 | 25 | 2211 TN9 | 23 |
| 55 | 100 | 25 | 2211 KTN9 | 24 |
| 55 | 100 | 25 | 2211-2RSTN9 | 25 |
| 55 | 100 | 25 | 2211-2RSKTN9 | 26 |
| 55 | 100 | 25 | NU 2211 | 32 |
| 55 | 100 | 25 | NJ 2211 | 33 |
| 55 | 100 | 25 | NUP 2211 | 34 |
| 55 | 100 | 25 | 22211 | 45 |

| Dimension (mm) Dimensioni (mm) | | | Designation Sigla | Fig. |
|-----------------------------------|-----|-------|----------------------|------|
| d | D | B | | |
| 55 | 100 | 25 | 22211 K | 46 |
| 55 | 100 | 26,75 | 32211 | 43 |
| 55 | 100 | 31 | 22211-2RS | 47 |
| 55 | 100 | 31 | 22211-2RSK | 48 |
| 55 | 100 | 33,30 | 3211 A | 18 |
| 55 | 100 | 33,30 | 3211 ATN9 | 18 |
| 55 | 100 | 33,30 | 3211-ZZ | 20 |
| 55 | 100 | 33,30 | 3211-2RS | 21 |
| 55 | 100 | 35 | 33211 | 43 |
| 55 | 100 | 47 | 52213 | 54 |
| 55 | 105 | 35 | 51311 | 51 |
| 55 | 105 | 42 | 53311 | 52 |
| 55 | 105 | 47 | 52214 | 54 |
| 55 | 115 | 65 | 52313 | 54 |
| 55 | 120 | 29 | 6311 | 4 |
| 55 | 120 | 29 | 6311-Z | 5 |
| 55 | 120 | 29 | 6311-ZZ | 6 |
| 55 | 120 | 29 | 6311-2RS | 7 |
| 55 | 120 | 29 | 6311-RS | 8 |
| 55 | 120 | 29 | 6311 N | 11 |
| 55 | 120 | 29 | 6311 NR | 12 |
| 55 | 120 | 29 | 6311-ZNR | 13 |
| 55 | 120 | 29 | 6311-ZZNR | 14 |
| 55 | 120 | 29 | 7311 B | 17 |
| 55 | 120 | 29 | QJ 311 N2M | 22 |
| 55 | 120 | 29 | 1311 TN9 | 23 |
| 55 | 120 | 29 | 1311 KTN9 | 24 |
| 55 | 120 | 29 | NU 311 | 32 |
| 55 | 120 | 29 | NJ 311 | 33 |
| 55 | 120 | 29 | NUP 311 | 34 |
| 55 | 120 | 29 | N 311 | 35 |
| 55 | 120 | 29 | 21311 | 45 |
| 55 | 120 | 29 | 21311 K | 46 |
| 55 | 120 | 31,50 | 31311 | 43 |
| 55 | 120 | 32 | 30311 | 43 |
| 55 | 120 | 43 | 62311-2RS | 7 |
| 55 | 120 | 43 | 4311 ATN9 | 15 |
| 55 | 120 | 43 | 2311 | 23 |
| 55 | 120 | 43 | 2311 K | 24 |
| 55 | 120 | 43 | NU 2311 | 32 |
| 55 | 120 | 43 | NJ 2311 | 33 |
| 55 | 120 | 43 | NUP 2311 | 34 |
| 55 | 120 | 43 | 22311 | 45 |
| 55 | 120 | 43 | 22311 K | 46 |
| 55 | 120 | 43 | 22311 VA | 49 |
| 55 | 120 | 43 | 22311 KVA | 50 |
| 55 | 120 | 45,50 | 32311 | 43 |
| 55 | 120 | 48 | 51411 | 51 |
| 55 | 120 | 49 | 22311-2RS | 47 |
| 55 | 120 | 49,20 | 3311 A | 18 |
| 55 | 120 | 49,20 | 3311 ATN9 | 18 |
| 55 | 120 | 49,20 | 3311 D | 19 |
| 55 | 120 | 49,20 | 3311-ZZ | 20 |
| 55 | 120 | 49,20 | 3311-2RS | 21 |
| 55 | 120 | 55 | 53411 | 52 |
| 55 | 120 | 63 | 31311J/DF | 44 |

| Dimension (mm) Dimensioni (mm) | | | Designation Sigla | Fig. |
|-----------------------------------|---------|--------|-----------------------|------|
| d | D | B | | |
| 55 | 125 | 72 | 52314 | 54 |
| 55 | 140 | 33 | 6411 | 4 |
| 55 | 140 | 33 | 6411 N | 11 |
| 55 | 140 | 33 | 6411 NR | 12 |
| 55 | 140 | 33 | NU 411 | 32 |
| 55 | 140 | 33 | NJ 411 | 33 |
| 55 | 150 | 107 | 52414 M | 54 |
| 57,15 | 96,838 | 21 | 387A/382 A | 43 |
| 57,15 | 96,838 | 25,40 | 387 A/382 S | 43 |
| 57,15 | 98,425 | 21 | 387 A/382 | 43 |
| 57,15 | 104,775 | 30,162 | 462/453 X | 43 |
| 57,15 | 112,712 | 30,162 | 39580/39520 | 43 |
| 57,15 | 119,985 | 32,75 | 39580/39528 | 43 |
| 57,50 | 11 | | HJ 308 | 36 |
| 59 | 8,50 | | HJ 209 | 36 |
| 60 | 78 | 7,50 | U 209 | 53 |
| 60 | 78 | 7,50 | U 209 | 56 |
| 60 | 78 | 10 | 61812 | 4 |
| 60 | 78 | 10 | 61812-2RS | 7 |
| 60 | 78 | 10 | 61812-2RZ | 9 |
| 60 | 82 | 8,50 | U 308 | 53 |
| 60 | 82 | 8,50 | U 308 | 56 |
| 60 | 85 | 13 | 61912 | 4 |
| 60 | 85 | 13 | 61912-2RS | 7 |
| 60 | 85 | 13 | 61912-2RZ | 9 |
| 60 | 85 | 17 | 51112 | 51 |
| 60 | 95 | 11 | 16012 | 4 |
| 60 | 95 | 18 | 6012 | 4 |
| 60 | 95 | 18 | 6012-Z | 5 |
| 60 | 95 | 18 | 6012-ZZ | 6 |
| 60 | 95 | 18 | 6012-2RS | 7 |
| 60 | 95 | 18 | 6012-RS | 8 |
| 60 | 95 | 18 | 6012-2RZ | 9 |
| 60 | 95 | 18 | 6012-RZ | 10 |
| 60 | 95 | 18 | 6012 N | 11 |
| 60 | 95 | 18 | 6012 NR | 12 |
| 60 | 95 | 18 | NU 1012 | 32 |
| 60 | 95 | 23 | 32012 | 43 |
| 60 | 95 | 26 | NN 3012 KTN/SP | 38 |
| 60 | 95 | 26 | NN 3012 TN/SP | 38 |
| 60 | 95 | 26 | 51212 | 51 |
| 60 | 95 | 27 | 33012 | 43 |
| 60 | 95 | 31 | 53212 | 52 |
| 60 | 95 | 46 | SL0450012-PP | 39 |
| 60 | 95 | 46 | 32012 X/DFC250 | 44 |
| 60 | 100 | 30 | 33112 | 43 |
| 60 | 110 | 22 | 6212 | 4 |
| 60 | 110 | 22 | 6212-Z | 5 |
| 60 | 110 | 22 | 6212-ZZ | 6 |
| 60 | 110 | 22 | 6212-2RS | 7 |
| 60 | 110 | 22 | 6212-RS | 8 |
| 60 | 110 | 22 | 6212 N | 11 |
| 60 | 110 | 22 | 6212 NR | 12 |
| 60 | 110 | 22 | 6212-ZNR | 13 |
| 60 | 110 | 22 | 6212-ZZNR | 14 |
| 60 | 110 | 22 | 6212 2RS BOMB | 16 |

| Dimension (mm) Dimensioni (mm) | | | Designation Sigla | Fig. |
|-----------------------------------|-----|-------|----------------------|------|
| d | D | B | | |
| 60 | 110 | 22 | 7212 B | 17 |
| 60 | 110 | 22 | QJ 212 N2M | 22 |
| 60 | 110 | 22 | 1212 TN9 | 23 |
| 60 | 110 | 22 | 1212 KTN9 | 24 |
| 60 | 110 | 22 | NU 212 | 32 |
| 60 | 110 | 22 | NJ 212 | 33 |
| 60 | 110 | 22 | NUP 212 | 34 |
| 60 | 110 | 22 | N 212 | 35 |
| 60 | 110 | 23,75 | 30212 | 43 |
| 60 | 110 | 28 | 62212-2RS | 7 |
| 60 | 110 | 28 | 4212 ATN9 | 15 |
| 60 | 110 | 28 | 2212 TN9 | 23 |
| 60 | 110 | 28 | 2212 KTN9 | 24 |
| 60 | 110 | 28 | 2212-2RSTN9 | 25 |
| 60 | 110 | 28 | 2212-2RSKTN9 | 26 |
| 60 | 110 | 28 | NU 2212 | 32 |
| 60 | 110 | 28 | NJ 2212 | 33 |
| 60 | 110 | 28 | NUP 2212 | 34 |
| 60 | 110 | 28 | 22212 | 45 |
| 60 | 110 | 28 | 22212 K | 46 |
| 60 | 110 | 29,75 | 32212 | 43 |
| 60 | 110 | 34 | 22212-2RS | 47 |
| 60 | 110 | 34 | 22212-2RSK | 48 |
| 60 | 110 | 35 | 51312 | 51 |
| 60 | 110 | 36,50 | 3212 A | 18 |
| 60 | 110 | 36,50 | 3212 ATN9 | 18 |
| 60 | 110 | 36,50 | 3212-ZZ | 20 |
| 60 | 110 | 36,50 | 3212-2RS | 21 |
| 60 | 110 | 38 | 33212 | 43 |
| 60 | 110 | 42 | 53312 | 52 |
| 60 | 110 | 47 | 52215 | 54 |
| 60 | 110 | 62 | 11212 TN9 | 27 |
| 60 | 130 | 31 | 6312 | 4 |
| 60 | 130 | 31 | 6312-Z | 5 |
| 60 | 130 | 31 | 6312-ZZ | 6 |
| 60 | 130 | 31 | 6312-2RS | 7 |
| 60 | 130 | 31 | 6312 N | 11 |
| 60 | 130 | 31 | 6312 NR | 12 |
| 60 | 130 | 31 | 6312-ZNR | 13 |
| 60 | 130 | 31 | 6312-ZZNR | 14 |
| 60 | 130 | 31 | 7312 B | 17 |
| 60 | 130 | 31 | QJ 312 N2M | 22 |
| 60 | 130 | 31 | 1312 TN9 | 23 |
| 60 | 130 | 31 | 1312 KTN9 | 24 |
| 60 | 130 | 31 | NU 312 | 32 |
| 60 | 130 | 31 | NJ 312 | 33 |
| 60 | 130 | 31 | NUP 312 | 34 |
| 60 | 130 | 31 | N 312 | 35 |
| 60 | 130 | 31 | 21312 | 45 |
| 60 | 130 | 31 | 21312 K | 46 |
| 60 | 130 | 33,50 | 30312 | 43 |
| 60 | 130 | 33,50 | 31312 | 43 |
| 60 | 130 | 42 | 29412 M | 58 |
| 60 | 130 | 46 | 62312-2RS | 7 |
| 60 | 130 | 46 | 4312 ATN9 | 15 |
| 60 | 130 | 46 | 2312 | 23 |

| Dimension (mm) Dimensioni (mm) | | | Designation Sigla | Fig. |
|-----------------------------------|---------|--------|-----------------------|------|
| d | D | B | | |
| 60 | 130 | 46 | 2312 K | 24 |
| 60 | 130 | 46 | NU 2312 | 32 |
| 60 | 130 | 46 | NJ 2312 | 33 |
| 60 | 130 | 46 | NUP 2312 | 34 |
| 60 | 130 | 46 | 22312 | 45 |
| 60 | 130 | 46 | 22312 K | 46 |
| 60 | 130 | 46 | 22312 VA | 49 |
| 60 | 130 | 46 | 22312 KVA | 50 |
| 60 | 130 | 48,50 | 32312 | 43 |
| 60 | 130 | 51 | 51412 M | 51 |
| 60 | 130 | 54 | 3312 A | 18 |
| 60 | 130 | 54 | 3312-ZZ | 20 |
| 60 | 130 | 58 | 53412M | 52 |
| 60 | 130 | 67 | 31312 J/DF | 44 |
| 60 | 135 | 79 | 52315 | 54 |
| 60 | 150 | 35 | 6412 | 4 |
| 60 | 150 | 35 | 6412 N | 11 |
| 60 | 150 | 35 | NU 412 | 32 |
| 60 | 150 | 35 | NJ 412 | 33 |
| 60 | 150 | 35 | NUP 412 | 34 |
| 60 | 159,70 | 35 | 6412 NR | 12 |
| 62 | 82 | 7,50 | U 210 | 53 |
| 63,50 | 112,712 | 30,162 | 3982/3920 | 43 |
| 64 | 9 | | HJ 210 | 36 |
| 64,40 | 11,50 | | HJ 309 | 36 |
| 65 | 85 | 10 | 61813 | 4 |
| 65 | 85 | 10 | 61813-2RS | 7 |
| 65 | 85 | 10 | 61813-2RZ | 9 |
| 65 | 90 | 10 | U 309 | 53 |
| 65 | 90 | 10 | U 309 | 56 |
| 65 | 90 | 13 | 61913 | 4 |
| 65 | 90 | 13 | 61913-2RS | 7 |
| 65 | 90 | 13 | 61913-2RZ | 9 |
| 65 | 90 | 18 | 51113 | 51 |
| 65 | 95 | 12 | U 408 | 53 |
| 65 | 100 | 11 | 16013 | 4 |
| 65 | 100 | 18 | 6013 | 4 |
| 65 | 100 | 18 | 6013-Z | 5 |
| 65 | 100 | 18 | 6013-ZZ | 6 |
| 65 | 100 | 18 | 6013-2RS | 7 |
| 65 | 100 | 18 | 6013-RS | 8 |
| 65 | 100 | 18 | 6013 N | 11 |
| 65 | 100 | 18 | 6013 NR | 12 |
| 65 | 100 | 18 | NU 1013 | 32 |
| 65 | 100 | 23 | 32013 | 43 |
| 65 | 100 | 26 | NN 3013 KTN/SP | 38 |
| 65 | 100 | 26 | NN 3013 TN/SP | 38 |
| 65 | 100 | 27 | 33013 | 43 |
| 65 | 100 | 27 | 51213 | 51 |
| 65 | 100 | 32 | 53213 | 52 |
| 65 | 100 | 35 | 24013 | 45 |
| 65 | 100 | 35 | 24013 K30 | 46 |
| 65 | 100 | 46 | SL045013-PP | 39 |
| 65 | 110 | 34 | 33113 | 43 |
| 65 | 115 | 36 | 51313 | 51 |
| 65 | 115 | 43 | 53313 | 52 |

| Dimension (mm) Dimensioni (mm) | | | Designation Sigla | Fig. |
|-----------------------------------|-----|-------|----------------------|------|
| d | D | B | | |
| 65 | 115 | 48 | 52216 | 54 |
| 65 | 120 | 23 | 6213 | 4 |
| 65 | 120 | 23 | 6213-Z | 5 |
| 65 | 120 | 23 | 6213-ZZ | 6 |
| 65 | 120 | 23 | 6213-2RS | 7 |
| 65 | 120 | 23 | 6213-RS | 8 |
| 65 | 120 | 23 | 6213 N | 11 |
| 65 | 120 | 23 | 6213 NR | 12 |
| 65 | 120 | 23 | 6213-ZNR | 13 |
| 65 | 120 | 23 | 6213-ZZNR | 14 |
| 65 | 120 | 23 | 7213 B | 17 |
| 65 | 120 | 23 | QJ 213 N2 M | 22 |
| 65 | 120 | 23 | 1213 TN9 | 23 |
| 65 | 120 | 23 | 1213 KTN9 | 24 |
| 65 | 120 | 23 | NU 213 | 32 |
| 65 | 120 | 23 | NJ 213 | 33 |
| 65 | 120 | 23 | NUP 213 | 34 |
| 65 | 120 | 23 | N 213 | 35 |
| 65 | 120 | 24,70 | 30213 | 43 |
| 65 | 120 | 31 | 62213-2RS | 7 |
| 65 | 120 | 31 | 4213 ATN9 | 15 |
| 65 | 120 | 31 | 2213 TN9 | 23 |
| 65 | 120 | 31 | 2213 KTN9 | 24 |
| 65 | 120 | 31 | 2213-2RSTN9 | 25 |
| 65 | 120 | 31 | 2213-2RSKTN9 | 26 |
| 65 | 120 | 31 | NU 2213 | 32 |
| 65 | 120 | 31 | NJ 2213 | 33 |
| 65 | 120 | 31 | NUP 2213 | 34 |
| 65 | 120 | 31 | 22213 | 45 |
| 65 | 120 | 31 | 22213 K | 46 |
| 65 | 120 | 32,75 | 32213 | 43 |
| 65 | 120 | 38 | 22213-2RS | 47 |
| 65 | 120 | 38 | 22213-2RSK | 48 |
| 65 | 120 | 38,10 | 3213 A | 18 |
| 65 | 120 | 38,10 | 3213-ZZ | 20 |
| 65 | 120 | 38,10 | 3213-2RS | 21 |
| 65 | 120 | 41 | 33213 | 43 |
| 65 | 120 | 49,50 | 30213 J/DF | 44 |
| 65 | 140 | 31 | QJ 313 N2M | 22 |
| 65 | 140 | 33 | 6313 | 4 |
| 65 | 140 | 33 | 6313-Z | 5 |
| 65 | 140 | 33 | 6313-ZZ | 6 |
| 65 | 140 | 33 | 6313-2RS | 7 |
| 65 | 140 | 33 | 6313-RS | 8 |
| 65 | 140 | 33 | 6313 N | 11 |
| 65 | 140 | 33 | 6313 NR | 12 |
| 65 | 140 | 33 | 6313-ZNR | 13 |
| 65 | 140 | 33 | 6313-ZZNR | 14 |
| 65 | 140 | 33 | 7313 B | 17 |
| 65 | 140 | 33 | 1313 TN9 | 23 |
| 65 | 140 | 33 | 1313 KTN9 | 24 |
| 65 | 140 | 33 | NU 313 | 32 |
| 65 | 140 | 33 | NJ 313 | 33 |
| 65 | 140 | 33 | NUP 313 | 34 |
| 65 | 140 | 33 | N 313 | 35 |
| 65 | 140 | 33 | 21313 | 45 |

| Dimension (mm) Dimensioni (mm) | | | Designation Sigla | Fig. |
|-----------------------------------|---------|--------|-----------------------|------|
| d | D | B | | |
| 65 | 140 | 33 | 21313 K | 46 |
| 65 | 140 | 36 | 30313 | 43 |
| 65 | 140 | 36 | 31313 | 43 |
| 65 | 140 | 45 | 29413 M | 58 |
| 65 | 140 | 48 | 62313-2RS | 7 |
| 65 | 140 | 48 | 4313 ATN9 | 15 |
| 65 | 140 | 48 | 2313 | 23 |
| 65 | 140 | 48 | 2313 K | 24 |
| 65 | 140 | 48 | NU 2313 | 32 |
| 65 | 140 | 48 | NJ 2313 | 33 |
| 65 | 140 | 48 | NUP 2313 | 34 |
| 65 | 140 | 48 | 22313 | 45 |
| 65 | 140 | 48 | 22313 K | 46 |
| 65 | 140 | 48 | 22313 VA | 49 |
| 65 | 140 | 48 | 22313 KVA | 50 |
| 65 | 140 | 51 | 32313 | 43 |
| 65 | 140 | 56 | 51413 M | 51 |
| 65 | 140 | 58,70 | 3313 A | 18 |
| 65 | 140 | 58,70 | 3313-ZZ | 20 |
| 65 | 140 | 58,70 | 3313-2RS | 21 |
| 65 | 140 | 72 | 31313 J/DF | 44 |
| 65 | 140 | 79 | 52316 | 54 |
| 65 | 140 | 95 | 54316 | 55 |
| 65 | 160 | 37 | 6413 | 4 |
| 65 | 160 | 37 | 6413 N | 11 |
| 65 | 160 | 37 | 6413 NR | 12 |
| 65 | 160 | 37 | NU 413 | 32 |
| 65 | 160 | 37 | NJ 413 | 33 |
| 65 | 170 | 140 | 54416M | 55 |
| 65,088 | 135,755 | 53,975 | 6379/K6320 | 43 |
| 66,675 | 112,712 | 30,162 | 39590/39520 | 43 |
| 66,675 | 119,985 | 32,75 | 39590/39528 | 43 |
| 69,85 | 112,712 | 25,40 | 29675/29620/3 | 43 |
| 69,85 | 127 | 36,512 | 566/563 | 43 |
| 70 | 90 | 10 | 61814 | 4 |
| 70 | 90 | 10 | 61814-2RS | 7 |
| 70 | 90 | 10 | 61814-2RZ | 9 |
| 70 | 95 | 18 | 51114 | 51 |
| 70 | 100 | 16 | 61914 | 4 |
| 70 | 100 | 16 | 61914-2RS | 7 |
| 70 | 100 | 16 | 61914-2RZ | 9 |
| 70 | 105 | 27 | 51214 | 51 |
| 70 | 105 | 32 | 53214 | 52 |
| 70 | 110 | 13 | 16014 | 4 |
| 70 | 110 | 20 | 6014 | 4 |
| 70 | 110 | 20 | 6014-Z | 5 |
| 70 | 110 | 20 | 6014-ZZ | 6 |
| 70 | 110 | 20 | 6014-2RS | 7 |
| 70 | 110 | 20 | 6014-RS | 8 |
| 70 | 110 | 20 | 6014 N | 11 |
| 70 | 110 | 20 | 6014 NR | 12 |
| 70 | 110 | 20 | NU 1014 | 32 |
| 70 | 110 | 25 | 32014 | 43 |
| 70 | 110 | 30 | NN 3014 KTN/SP | 38 |
| 70 | 110 | 30 | NN 3014 TN/SP | 38 |
| 70 | 110 | 31 | 33014 | 43 |

| Dimension (mm) Dimensioni (mm) | | | Designation Sigla | Fig. |
|-----------------------------------|-----|-------|----------------------|------|
| d | D | B | | |
| 70 | 110 | 54 | SL045014-PP | 39 |
| 70 | 110 | 62 | 33014/DF | 44 |
| 70 | 120 | 37 | 33114 | 43 |
| 70 | 125 | 24 | 6214 | 4 |
| 70 | 125 | 24 | 6214-Z | 5 |
| 70 | 125 | 24 | 6214-ZZ | 6 |
| 70 | 125 | 24 | 6214-2RS | 7 |
| 70 | 125 | 24 | 6214-RS | 8 |
| 70 | 125 | 24 | 6214 N | 11 |
| 70 | 125 | 24 | 6214 NR | 12 |
| 70 | 125 | 24 | 6214-ZNR | 13 |
| 70 | 125 | 24 | 6214-ZZNR | 14 |
| 70 | 125 | 24 | 7214 B | 17 |
| 70 | 125 | 24 | QJ 214 N2M | 22 |
| 70 | 125 | 24 | 1214 TN9 | 23 |
| 70 | 125 | 24 | 1214 KTN9 | 24 |
| 70 | 125 | 24 | NU 214 | 32 |
| 70 | 125 | 24 | NJ 214 | 33 |
| 70 | 125 | 24 | NUP 214 | 34 |
| 70 | 125 | 24 | N 214 | 35 |
| 70 | 125 | 26,25 | 30214 | 43 |
| 70 | 125 | 31 | 62214-2RS | 7 |
| 70 | 125 | 31 | 4214 ATN9 | 15 |
| 70 | 125 | 31 | 2214 | 23 |
| 70 | 125 | 31 | 2214 K | 24 |
| 70 | 125 | 31 | 2214-2RSTN9 | 25 |
| 70 | 125 | 31 | NU 2214 | 32 |
| 70 | 125 | 31 | NJ 2214 | 33 |
| 70 | 125 | 31 | NUP 2214 | 34 |
| 70 | 125 | 31 | 22214 | 45 |
| 70 | 125 | 31 | 22214 K | 46 |
| 70 | 125 | 33,20 | 32214 | 43 |
| 70 | 125 | 38 | 22214-2RS | 47 |
| 70 | 125 | 38 | 22214-2RSK | 48 |
| 70 | 125 | 39,70 | 3214 A | 18 |
| 70 | 125 | 39,70 | 3214-ZZ | 20 |
| 70 | 125 | 39,70 | 3214-2RS | 21 |
| 70 | 125 | 40 | 51314 | 51 |
| 70 | 125 | 42 | 33214 | 43 |
| 70 | 125 | 48 | 53314 | 52 |
| 70 | 125 | 55 | 52217 | 54 |
| 70 | 150 | 35 | 6314 | 4 |
| 70 | 150 | 35 | 6314-Z | 5 |
| 70 | 150 | 35 | 6314-ZZ | 6 |
| 70 | 150 | 35 | 6314-2RS | 7 |
| 70 | 150 | 35 | 6314 N | 11 |
| 70 | 150 | 35 | 6314 NR | 12 |
| 70 | 150 | 35 | 6314-ZNR | 13 |
| 70 | 150 | 35 | 6314-ZZNR | 14 |
| 70 | 150 | 35 | 7314 B | 17 |
| 70 | 150 | 35 | QJ 314 N2M | 22 |
| 70 | 150 | 35 | 1314 | 23 |
| 70 | 150 | 35 | 1314 K | 24 |
| 70 | 150 | 35 | NU 314 | 32 |
| 70 | 150 | 35 | NJ 314 | 33 |
| 70 | 150 | 35 | NUP 314 | 34 |

| Dimension (mm) Dimensioni (mm) | | | Designation Sigla | Fig. |
|-----------------------------------|---------|--------|------------------------|------|
| d | D | B | | |
| 70 | 150 | 35 | N 314 | 35 |
| 70 | 150 | 35 | 21314 | 45 |
| 70 | 150 | 35 | 21314 K | 46 |
| 70 | 150 | 38 | 30314 | 43 |
| 70 | 150 | 38 | 31314 | 43 |
| 70 | 150 | 48 | 29414 M | 58 |
| 70 | 150 | 51 | 62314-2RS | 7 |
| 70 | 150 | 51 | 4314 ATN9 | 15 |
| 70 | 150 | 51 | 2314 | 23 |
| 70 | 150 | 51 | 2314 K | 24 |
| 70 | 150 | 51 | NU 2314 | 32 |
| 70 | 150 | 51 | NJ 2314 | 33 |
| 70 | 150 | 51 | NUP 2314 | 34 |
| 70 | 150 | 51 | 22314 | 45 |
| 70 | 150 | 51 | 22314 K | 46 |
| 70 | 150 | 51 | 22314 VA | 49 |
| 70 | 150 | 51 | 22314 KVA | 50 |
| 70 | 150 | 54 | 32314 | 43 |
| 70 | 150 | 60 | 51414 M | 51 |
| 70 | 150 | 63,50 | 3314 A | 18 |
| 70 | 150 | 63,50 | 3314-ZZ | 20 |
| 70 | 150 | 63,50 | 3314-2RS | 21 |
| 70 | 150 | 69 | 53414 M | 52 |
| 70 | 150 | 76 | 31314 J/DF | 44 |
| 70 | 150 | 96 | 54317 | 55 |
| 70 | 180 | 42 | 6414 | 4 |
| 70 | 180 | 42 | NU 414 | 32 |
| 70 | 180 | 42 | NJ 414 | 33 |
| 70,80 | 9,50 | | HJ 211 | 36 |
| 70,80 | 10 | | HJ 2211 | 36 |
| 71,20 | 13 | | HJ 310 | 36 |
| 71,438 | 117,475 | 30,162 | 33281/33462 | 43 |
| 71,80 | 13,50 | | HJ 409 | 36 |
| 72 | 95 | 9 | U 211 | 53 |
| 72 | 95 | 9 | U 211 | 56 |
| 72 | 100 | 11 | U 310 | 53 |
| 72 | 100 | 11 | U 310 | 56 |
| 72 | 105 | 12,50 | U 409 | 56 |
| 73,025 | 112,712 | 25,40 | 29685/2/29620/3 | 43 |
| 73,025 | 117,475 | 30,162 | 33287/33462 | 43 |
| 75 | 95 | 10 | 61815 | 4 |
| 75 | 95 | 10 | 61815-2RS | 7 |
| 75 | 95 | 10 | 61815-2RZ | 9 |
| 75 | 100 | 19 | 51115 | 51 |
| 75 | 105 | 16 | 61915 | 4 |
| 75 | 105 | 16 | 61915-2RS | 7 |
| 75 | 105 | 16 | 61915-2RZ | 9 |
| 75 | 105 | 20 | 32915 | 43 |
| 75 | 105 | 38 | 234915 | 57 |
| 75 | 110 | 12 | 16115 | 4 |
| 75 | 110 | 27 | 51215 | 51 |
| 75 | 110 | 32 | 53215 | 52 |
| 75 | 115 | 13 | 16015 | 4 |
| 75 | 115 | 20 | 6015 | 4 |
| 75 | 115 | 20 | 6015-Z | 5 |
| 75 | 115 | 20 | 6015-ZZ | 6 |

| Dimension (mm) Dimensioni (mm) | | | Designation Sigla | Fig. |
|-----------------------------------|-----|-------|-----------------------|------|
| d | D | B | | |
| 75 | 115 | 20 | 6015-2RS | 7 |
| 75 | 115 | 20 | 6015-RS | 8 |
| 75 | 115 | 20 | 6015-2RZ | 9 |
| 75 | 115 | 20 | 6015-RZ | 10 |
| 75 | 115 | 20 | 6015 N | 11 |
| 75 | 115 | 20 | 6015 NR | 12 |
| 75 | 115 | 20 | NU 1015 | 32 |
| 75 | 115 | 25 | 32015 | 43 |
| 75 | 115 | 30 | NN 3015 KTN/SP | 38 |
| 75 | 115 | 30 | NN 3015 TN/SP | 38 |
| 75 | 115 | 31 | 33015 | 43 |
| 75 | 115 | 40 | 24015 | 45 |
| 75 | 115 | 40 | 24015 K30 | 46 |
| 75 | 115 | 48 | 234415 | 57 |
| 75 | 115 | 54 | SL045015-PP | 39 |
| 75 | 115 | 62 | 33015/DF | 44 |
| 75 | 125 | 37 | 33115 | 43 |
| 75 | 125 | 74 | 33115/DFC150 | 44 |
| 75 | 130 | 25 | 6215 | 4 |
| 75 | 130 | 25 | 6215-Z | 5 |
| 75 | 130 | 25 | 6215-ZZ | 6 |
| 75 | 130 | 25 | 6215-2RS | 7 |
| 75 | 130 | 25 | 6215-RS | 8 |
| 75 | 130 | 25 | 6215 N | 11 |
| 75 | 130 | 25 | 6215 NR | 12 |
| 75 | 130 | 25 | 7215 B | 17 |
| 75 | 130 | 25 | QJ 215 N2M | 22 |
| 75 | 130 | 25 | 1215 TN9 | 23 |
| 75 | 130 | 25 | 1215 K | 24 |
| 75 | 130 | 25 | NU 215 | 32 |
| 75 | 130 | 25 | NJ 215 | 33 |
| 75 | 130 | 25 | NUP 215 | 34 |
| 75 | 130 | 25 | N 215 | 35 |
| 75 | 130 | 27,25 | 30215 | 43 |
| 75 | 130 | 31 | 4215 ATN9 | 15 |
| 75 | 130 | 31 | 2215 | 23 |
| 75 | 130 | 31 | 2215 KTN9 | 24 |
| 75 | 130 | 31 | NU 2215 | 32 |
| 75 | 130 | 31 | NJ 2215 | 33 |
| 75 | 130 | 31 | NUP 2215 | 34 |
| 75 | 130 | 31 | 22215 | 45 |
| 75 | 130 | 31 | 22215 K | 46 |
| 75 | 130 | 33,25 | 32215 | 43 |
| 75 | 130 | 38 | 22215-2RS | 47 |
| 75 | 130 | 38 | 22215-2RSK | 48 |
| 75 | 130 | 41 | 33215 | 43 |
| 75 | 130 | 41,30 | 3215 A | 18 |
| 75 | 130 | 41,30 | 3215-ZZ | 20 |
| 75 | 130 | 41,30 | 3215-2RS | 21 |
| 75 | 130 | 54,50 | 30215J/DF | 44 |
| 75 | 130 | 66,50 | 32215J/DF | 44 |
| 75 | 135 | 44 | 51315 | 51 |
| 75 | 135 | 52 | 53315 | 52 |
| 75 | 135 | 62 | 52218 | 54 |
| 75 | 160 | 37 | 6315 | 4 |
| 75 | 160 | 37 | 6315-Z | 5 |

| Dimension (mm) Dimensioni (mm) | | | Designation Sigla | Fig. |
|-----------------------------------|--------|--------|----------------------|------|
| d | D | B | | |
| 75 | 160 | 37 | 6315-ZZ | 6 |
| 75 | 160 | 37 | 6315-2RS | 7 |
| 75 | 160 | 37 | 6315-RS | 8 |
| 75 | 160 | 37 | 6315 N | 11 |
| 75 | 160 | 37 | 6315 NR | 12 |
| 75 | 160 | 37 | 7315 B | 17 |
| 75 | 160 | 37 | QJ 315 N2M | 22 |
| 75 | 160 | 37 | 1315 | 23 |
| 75 | 160 | 37 | 1315 K | 24 |
| 75 | 160 | 37 | NU 315 | 32 |
| 75 | 160 | 37 | NJ 315 | 33 |
| 75 | 160 | 37 | NUP 315 | 34 |
| 75 | 160 | 37 | N 315 | 35 |
| 75 | 160 | 37 | 21315 | 45 |
| 75 | 160 | 37 | 21315K | 46 |
| 75 | 160 | 40 | 30315 | 43 |
| 75 | 160 | 40 | 31315 | 43 |
| 75 | 160 | 51 | 29415 M | 58 |
| 75 | 160 | 55 | 4315 ATN9 | 15 |
| 75 | 160 | 55 | 2315 | 23 |
| 75 | 160 | 55 | 2315 K | 24 |
| 75 | 160 | 55 | NU 2315 | 32 |
| 75 | 160 | 55 | NJ 2315 | 33 |
| 75 | 160 | 55 | NUP 2315 | 34 |
| 75 | 160 | 55 | 22315 | 45 |
| 75 | 160 | 55 | 22315K | 46 |
| 75 | 160 | 55 | 22315 VA | 49 |
| 75 | 160 | 55 | 22315 KVA | 50 |
| 75 | 160 | 58 | 32315 | 43 |
| 75 | 160 | 64 | 22315-2RS | 47 |
| 75 | 160 | 65 | 51415 M | 51 |
| 75 | 160 | 68,30 | 3315 A | 18 |
| 75 | 160 | 68,30 | 3315-ZZ | 20 |
| 75 | 160 | 68,30 | 3315-2RS | 21 |
| 75 | 160 | 75 | 53415 M | 52 |
| 75 | 160 | 80 | 31315 J/DF | 44 |
| 75 | 190 | 45 | 6415 | 4 |
| 75 | 190 | 45 | NU 415 | 32 |
| 75 | 190 | 45 | NJ 415 | 33 |
| 76,20 | 127 | 30,162 | 42687/42620 | 43 |
| 76,20 | 139,99 | 36,512 | 575/572 | 43 |
| 77,50 | 9 | | HJ 2311 | 36 |
| 77,50 | 9 | | HJ 311 | 36 |
| 77,50 | 10 | | HJ 212 | 36 |
| 77,50 | 10 | | HJ 2212 | 36 |
| 78 | 100 | 9 | U 212 | 53 |
| 78,80 | 14,50 | | HJ 410 | 36 |
| 80 | 100 | 10 | 61816 | 4 |
| 80 | 100 | 10 | 61816-2RS | 7 |
| 80 | 100 | 10 | 61816-2RZ | 9 |
| 80 | 105 | 19 | 51116 | 51 |
| 80 | 110 | 11,50 | U 311 | 53 |
| 80 | 110 | 16 | 61916 | 4 |
| 80 | 110 | 16 | 61916-2RS | 7 |
| 80 | 110 | 16 | 61916-2RZ | 9 |
| 80 | 110 | 38 | 234916 | 57 |

| Dimension (mm) Dimensioni (mm) | | | Designation Sigla | Fig. |
|-----------------------------------|-----|-------|-----------------------|------|
| d | D | B | | |
| 80 | 115 | 14 | U 410 | 53 |
| 80 | 115 | 14 | U 410 | 56 |
| 80 | 115 | 28 | 51216 | 51 |
| 80 | 115 | 33 | 53216 | 52 |
| 80 | 125 | 14 | 16016 | 4 |
| 80 | 125 | 22 | 6016 | 4 |
| 80 | 125 | 22 | 6016-Z | 5 |
| 80 | 125 | 22 | 6016-ZZ | 6 |
| 80 | 125 | 22 | 6016-2RS | 7 |
| 80 | 125 | 22 | 6016-RS | 8 |
| 80 | 125 | 22 | 6016 N | 11 |
| 80 | 125 | 22 | 6016 NR | 12 |
| 80 | 125 | 22 | NU 1016 | 32 |
| 80 | 125 | 22 | NJ 1016 | 33 |
| 80 | 125 | 29 | 32016 | 43 |
| 80 | 125 | 34 | NN 3016 KTN/SP | 38 |
| 80 | 125 | 34 | NN 3016 TN/SP | 38 |
| 80 | 125 | 36 | 33016 | 43 |
| 80 | 125 | 54 | 234416 | 57 |
| 80 | 125 | 58 | 32016 X/DFC165 | 44 |
| 80 | 125 | 60 | SL045016-PP | 39 |
| 80 | 130 | 37 | 33116 | 43 |
| 80 | 140 | 26 | 6216 | 4 |
| 80 | 140 | 26 | 6216-Z | 4 |
| 80 | 140 | 26 | 6216-ZZ | 6 |
| 80 | 140 | 26 | 6216-2RS | 8 |
| 80 | 140 | 26 | 6216-RS | 8 |
| 80 | 140 | 26 | 6216 N | 11 |
| 80 | 140 | 26 | 6216 NR | 12 |
| 80 | 140 | 26 | QJ 216 N2M | 22 |
| 80 | 140 | 26 | 1216 TN9 | 23 |
| 80 | 140 | 26 | 7216B | 23 |
| 80 | 140 | 26 | 1216 K | 24 |
| 80 | 140 | 26 | NU 216 | 32 |
| 80 | 140 | 26 | NJ 216 | 33 |
| 80 | 140 | 26 | NUP 216 | 34 |
| 80 | 140 | 26 | N 216 | 35 |
| 80 | 140 | 28,25 | 30216 | 43 |
| 80 | 140 | 33 | 4216 ATN9 | 15 |
| 80 | 140 | 33 | 2216 | 23 |
| 80 | 140 | 33 | 2216 KTN9 | 24 |
| 80 | 140 | 33 | NU 2216 | 32 |
| 80 | 140 | 33 | NJ 2216 | 33 |
| 80 | 140 | 33 | NUP 2216 | 34 |
| 80 | 140 | 33 | 22216 | 45 |
| 80 | 140 | 33 | 22216 K | 46 |
| 80 | 140 | 35,25 | 32216 | 43 |
| 80 | 140 | 40 | 22216-2RS | 47 |
| 80 | 140 | 40 | 22216-2RSK | 48 |
| 80 | 140 | 44 | 51316 | 51 |
| 80 | 140 | 44,40 | 3216 A | 18 |
| 80 | 140 | 44,40 | 3216-ZZ | 20 |
| 80 | 140 | 44,40 | 3216-2RS | 21 |
| 80 | 140 | 46 | 33216 | 43 |
| 80 | 140 | 52 | 53316 | 52 |
| 80 | 140 | 70,50 | 32216 J/DF | 44 |

| Dimension (mm) Dimensioni (mm) | | | Designation Sigla | Fig. |
|-----------------------------------|---------|--------|----------------------|------|
| d | D | B | | |
| 80 | 170 | 39 | 6316 | 4 |
| 80 | 170 | 39 | 6316-Z | 5 |
| 80 | 170 | 39 | 6316-ZZ | 6 |
| 80 | 170 | 39 | 6316-2RS | 7 |
| 80 | 170 | 39 | 6316-RS | 8 |
| 80 | 170 | 39 | 7316 B | 17 |
| 80 | 170 | 39 | QJ 316 N2M | 22 |
| 80 | 170 | 39 | 1316 | 23 |
| 80 | 170 | 39 | 1316 K | 24 |
| 80 | 170 | 39 | NU 316 | 32 |
| 80 | 170 | 39 | NJ 316 | 33 |
| 80 | 170 | 39 | NUP 316 | 34 |
| 80 | 170 | 39 | N 316 | 35 |
| 80 | 170 | 39 | 21316 | 45 |
| 80 | 170 | 39 | 21316 K | 46 |
| 80 | 170 | 42,50 | 30316 | 43 |
| 80 | 170 | 42,50 | 31316 | 43 |
| 80 | 170 | 54 | 29416 M | 58 |
| 80 | 170 | 58 | 2316 | 23 |
| 80 | 170 | 58 | 2316 K | 24 |
| 80 | 170 | 58 | NU 2316 | 32 |
| 80 | 170 | 58 | NJ 2316 | 33 |
| 80 | 170 | 58 | NUP 2316 | 34 |
| 80 | 170 | 58 | 22316 | 45 |
| 80 | 170 | 58 | 22316 K | 46 |
| 80 | 170 | 58 | 22316 VA | 49 |
| 80 | 170 | 58 | 22316 KVA | 50 |
| 80 | 170 | 61,50 | 32316 | 43 |
| 80 | 170 | 68 | 51416 M | 51 |
| 80 | 170 | 68,30 | 3316 A | 18 |
| 80 | 170 | 68,30 | 3316 D | 19 |
| 80 | 170 | 68,30 | 3316-ZZ | 20 |
| 80 | 170 | 68,30 | 3316-2RS | 21 |
| 80 | 170 | 85 | 31316J1/DF | 44 |
| 80 | 200 | 48 | 6416 | 4 |
| 80 | 200 | 48 | NU 416 | 32 |
| 80 | 200 | 48 | NJ 416 | 33 |
| 80 | 210 | 176 | 54420 M | 55 |
| 82 | 105 | 9 | U 213 | 53 |
| 82,55 | 139,992 | 36,512 | 580/572 | 43 |
| 82,55 | 146,05 | 41,275 | 663/653 | 43 |
| 84 | 10 | | HJ 1014 | 36 |
| 84,30 | 14,50 | | HJ 312 | 36 |
| 84,30 | 16 | | HJ 2312 | 36 |
| 84,40 | 10 | | HJ 213 | 36 |
| 84,40 | 10,50 | | HJ 2213 | 36 |
| 85 | 110 | 13 | 61817 | 4 |
| 85 | 110 | 13 | 61817-2RS | 7 |
| 85 | 110 | 13 | 61817-2RZ | 9 |
| 85 | 110 | 19 | 51117 | 51 |
| 85 | 115 | 11,50 | U 312 | 53 |
| 85 | 115 | 11,50 | U 312 | 56 |
| 85 | 120 | 18 | 61917 | 4 |
| 85 | 125 | 31 | 51217 | 51 |
| 85 | 125 | 37 | 53217 | 52 |
| 85 | 130 | 14 | 16017 | 4 |

| Dimension (mm) Dimensioni (mm) | | | Designation Sigla | Fig. |
|-----------------------------------|-----|-------|------------------------|------|
| d | D | B | | |
| 85 | 130 | 22 | 6017 | 4 |
| 85 | 130 | 22 | 6017-Z | 5 |
| 85 | 130 | 22 | 6017-ZZ | 6 |
| 85 | 130 | 22 | 6017-2RS | 7 |
| 85 | 130 | 22 | 6017-RS | 8 |
| 85 | 130 | 22 | 6017 N | 11 |
| 85 | 130 | 22 | 6017 NR | 12 |
| 85 | 130 | 22 | NU 1017 | 32 |
| 85 | 130 | 29 | 32017 | 43 |
| 85 | 130 | 34 | NN 3017 KTN9/SP | 38 |
| 85 | 130 | 34 | NN 3017 TN9/SP | 38 |
| 85 | 130 | 36 | 33017 | 43 |
| 85 | 130 | 54 | 234417 | 57 |
| 85 | 130 | 58 | 32017 X/DF | 44 |
| 85 | 130 | 60 | SL045017-PP | 39 |
| 85 | 130 | 72 | 33017/DFC240 | 44 |
| 85 | 140 | 41 | 33117 | 43 |
| 85 | 150 | 28 | 6217 | 4 |
| 85 | 150 | 28 | 6217-Z | 5 |
| 85 | 150 | 28 | 6217-ZZ | 6 |
| 85 | 150 | 28 | 6217-2RS | 7 |
| 85 | 150 | 28 | 6217-RS | 8 |
| 85 | 150 | 28 | 6217 N | 11 |
| 85 | 150 | 28 | 6217 NR | 12 |
| 85 | 150 | 28 | 7217 B | 17 |
| 85 | 150 | 28 | QJ 217 N2M | 22 |
| 85 | 150 | 28 | 1217 TN9 | 23 |
| 85 | 150 | 28 | 1217 K | 24 |
| 85 | 150 | 28 | NU 217 | 32 |
| 85 | 150 | 28 | NJ 217 | 33 |
| 85 | 150 | 28 | NUP 217 | 34 |
| 85 | 150 | 28 | N 217 | 35 |
| 85 | 150 | 30,50 | 30217 | 43 |
| 85 | 150 | 36 | 4217 ATN9 | 15 |
| 85 | 150 | 36 | 2217 | 23 |
| 85 | 150 | 36 | 2217 K | 24 |
| 85 | 150 | 36 | NU 2217 | 32 |
| 85 | 150 | 36 | NJ 2217 | 33 |
| 85 | 150 | 36 | NUP 2217 | 34 |
| 85 | 150 | 36 | 22217 | 45 |
| 85 | 150 | 36 | 22217 K | 46 |
| 85 | 150 | 38,50 | 32217 | 43 |
| 85 | 150 | 39 | 29317 M | 58 |
| 85 | 150 | 44 | 22217-2RS | 47 |
| 85 | 150 | 44 | 22217-2RSK | 48 |
| 85 | 150 | 49 | 33217 | 43 |
| 85 | 150 | 49 | 51317 | 51 |
| 85 | 150 | 49,20 | 3217 A | 18 |
| 85 | 150 | 49,20 | 3217-ZZ | 20 |
| 85 | 150 | 49,20 | 3217-2RS | 21 |
| 85 | 150 | 54 | 234917 | 57 |
| 85 | 150 | 58 | 53317 | 52 |
| 85 | 150 | 61 | 30217 J/DF | 44 |
| 85 | 150 | 67 | 52220 | 54 |
| 85 | 150 | 77 | 32217 J/DF | 44 |
| 85 | 150 | 98 | 33217/DF | 44 |

| Dimension (mm) Dimensioni (mm) | | | Designation Sigla | Fig. |
|-----------------------------------|--------|--------|----------------------|------|
| d | D | B | | |
| 85 | 170 | 97 | 52320 | 54 |
| 85 | 180 | 41 | 6317 | 4 |
| 85 | 180 | 41 | 6317-Z | 5 |
| 85 | 180 | 41 | 6317-ZZ | 6 |
| 85 | 180 | 41 | 6317-2RS | 7 |
| 85 | 180 | 41 | 6317-RS | 8 |
| 85 | 180 | 41 | 7317 B | 17 |
| 85 | 180 | 41 | QJ 317 N2M | 22 |
| 85 | 180 | 41 | 1317 | 23 |
| 85 | 180 | 41 | 1317 K | 24 |
| 85 | 180 | 41 | NU 317 | 32 |
| 85 | 180 | 41 | NJ 317 | 33 |
| 85 | 180 | 41 | NUP 317 | 34 |
| 85 | 180 | 41 | N 317 | 35 |
| 85 | 180 | 41 | 21317 | 45 |
| 85 | 180 | 41 | 21317 K | 46 |
| 85 | 180 | 44,50 | 30317 | 43 |
| 85 | 180 | 44,50 | 31317 | 43 |
| 85 | 180 | 58 | 29417 M | 58 |
| 85 | 180 | 60 | 2317 K | 24 |
| 85 | 180 | 60 | NU 2317 | 32 |
| 85 | 180 | 60 | NJ 2317 | 33 |
| 85 | 180 | 60 | NUP 2317 | 34 |
| 85 | 180 | 60 | 22317 | 45 |
| 85 | 180 | 60 | 22317 K | 46 |
| 85 | 180 | 60 | 22317 VA | 49 |
| 85 | 180 | 60 | 22317 KVA | 50 |
| 85 | 180 | 63,50 | 32317 | 43 |
| 85 | 180 | 72 | 51417 M | 51 |
| 85 | 180 | 73 | 3317 A | 18 |
| 85 | 180 | 73 | 3317 A | 18 |
| 85 | 180 | 89 | 31317 J/DF | 44 |
| 85 | 210 | 52 | 6417 | 4 |
| 85 | 210 | 52 | NU 417 | 32 |
| 85 | 210 | 52 | NJ 417 | 33 |
| 86 | 180 | 80 | 2317 | 23 |
| 88 | 110 | 9 | U 214 | 53 |
| 88 | 125 | 15,50 | U 411 | 53 |
| 88,90 | 152,40 | 39,688 | 593/592 A | 43 |
| 89,40 | 11 | | HJ 214 | 36 |
| 89,40 | 11,50 | | HJ 2214 | 36 |
| 90 | 115 | 13 | 61818 | 4 |
| 90 | 115 | 13 | 61818-2RS | 7 |
| 90 | 115 | 13 | 61818-2RZ | 9 |
| 90 | 120 | 12,50 | U 313 | 53 |
| 90 | 120 | 22 | 51118 | 51 |
| 90 | 125 | 18 | 61918 | 4 |
| 90 | 125 | 44 | 234918 | 57 |
| 90 | 135 | 35 | 51218 | 51 |
| 90 | 135 | 42 | 53218 | 52 |
| 90 | 140 | 16 | 16018 | 4 |
| 90 | 140 | 24 | 6018 | 4 |
| 90 | 140 | 24 | 6018-Z | 5 |
| 90 | 140 | 24 | 6018-ZZ | 6 |
| 90 | 140 | 24 | 6018-2RS | 7 |
| 90 | 140 | 24 | 6018-RS | 8 |

| Dimension (mm) Dimensioni (mm) | | | Designation Sigla | Fig. |
|-----------------------------------|-----|-------|------------------------|------|
| d | D | B | | |
| 90 | 140 | 24 | 6018 N | 11 |
| 90 | 140 | 24 | 6018 NR | 12 |
| 90 | 140 | 24 | NU 1018 | 32 |
| 90 | 140 | 32 | 32018 | 43 |
| 90 | 140 | 37 | NN 3018 KTN9/SP | 38 |
| 90 | 140 | 37 | NN 3018 TN9/SP | 38 |
| 90 | 140 | 39 | 33018 | 43 |
| 90 | 140 | 60 | 234418 | 57 |
| 90 | 140 | 64 | 32018 X/DF | 44 |
| 90 | 140 | 67 | SL045018-PP | 39 |
| 90 | 140 | 70 | FC 182870 | 40 |
| 90 | 140 | 78 | 33018/DFC150 | 44 |
| 90 | 150 | 45 | 33118 | 43 |
| 90 | 155 | 39 | 29318 M | 58 |
| 90 | 155 | 50 | 51318 | 51 |
| 90 | 155 | 59 | 53318 | 52 |
| 90 | 160 | 30 | 6218 | 4 |
| 90 | 160 | 30 | 6218-Z | 5 |
| 90 | 160 | 30 | 6218-ZZ | 6 |
| 90 | 160 | 30 | 6218-2RS | 7 |
| 90 | 160 | 30 | 6218-RS | 8 |
| 90 | 160 | 30 | 6218 N | 11 |
| 90 | 160 | 30 | 6218 NR | 12 |
| 90 | 160 | 30 | 7218 B | 17 |
| 90 | 160 | 30 | QJ 218 N2M | 22 |
| 90 | 160 | 30 | 1218 TN9 | 23 |
| 90 | 160 | 30 | 1218 K | 24 |
| 90 | 160 | 30 | NU 218 | 32 |
| 90 | 160 | 30 | NJ 218 | 33 |
| 90 | 160 | 30 | NUP 218 | 34 |
| 90 | 160 | 30 | N 218 | 35 |
| 90 | 160 | 32,50 | 30218 | 43 |
| 90 | 160 | 40 | 4218 ATN9 | 15 |
| 90 | 160 | 40 | 2218 | 23 |
| 90 | 160 | 40 | 2218 K | 24 |
| 90 | 160 | 40 | NU 2218 | 32 |
| 90 | 160 | 40 | NJ 2218 | 33 |
| 90 | 160 | 40 | NUP 2218 | 34 |
| 90 | 160 | 40 | 22218 | 45 |
| 90 | 160 | 40 | 22218 K | 46 |
| 90 | 160 | 42,50 | 32218 | 43 |
| 90 | 160 | 48 | 22218-2RS | 47 |
| 90 | 160 | 48 | 22218-2RSK | 48 |
| 90 | 160 | 52,40 | 3218 A | 18 |
| 90 | 160 | 52,40 | 3218-ZZ | 20 |
| 90 | 160 | 52,40 | 3218-2RS | 21 |
| 90 | 160 | 52,40 | 23218 | 45 |
| 90 | 160 | 52,40 | 23218 K | 46 |
| 90 | 160 | 65 | 30218 J/DF | 44 |
| 90 | 160 | 85 | 32218 J/DF | 44 |
| 90 | 180 | 41 | NUP 318 | 34 |
| 90 | 190 | 43 | 6318 | 4 |
| 90 | 190 | 43 | 6318-Z | 5 |
| 90 | 190 | 43 | 6318-ZZ | 6 |
| 90 | 190 | 43 | 6318-2RS | 7 |
| 90 | 190 | 43 | 6318-RS | 8 |

| Dimension (mm) Dimensioni (mm) | | | Designation Sigla | Fig. |
|-----------------------------------|--------|--------|------------------------|------|
| d | D | B | | |
| 90 | 190 | 43 | 7318 B | 17 |
| 90 | 190 | 43 | QJ 318 N2M | 22 |
| 90 | 190 | 43 | NU 318 | 32 |
| 90 | 190 | 43 | NJ 318 | 33 |
| 90 | 190 | 43 | N 318 | 35 |
| 90 | 190 | 43 | 21318 | 45 |
| 90 | 190 | 43 | 21318 K | 46 |
| 90 | 190 | 45 | 1318 | 23 |
| 90 | 190 | 45 | 1318 K | 24 |
| 90 | 190 | 46,50 | 30318 | 43 |
| 90 | 190 | 46,50 | 31318 | 43 |
| 90 | 190 | 60 | 29418 M | 58 |
| 90 | 190 | 64 | 2318 | 23 |
| 90 | 190 | 64 | 2318 K | 24 |
| 90 | 190 | 64 | NU 2318 | 32 |
| 90 | 190 | 64 | NJ 2318 | 33 |
| 90 | 190 | 64 | NUP 2318 | 34 |
| 90 | 190 | 64 | 22318 | 45 |
| 90 | 190 | 64 | 22318 K | 46 |
| 90 | 190 | 64 | 22318 VA | 49 |
| 90 | 190 | 64 | 22318 KVA | 50 |
| 90 | 190 | 67,50 | 32318 | 43 |
| 90 | 190 | 73 | 3318 A | 18 |
| 90 | 190 | 73 | 3318 D | 19 |
| 90 | 190 | 77 | 51418 M | 51 |
| 90 | 190 | 88 | 53418M | 52 |
| 90 | 190 | 93 | 31318 J/DF | 44 |
| 90 | 225 | 54 | 6418 | 4 |
| 90 | 225 | 54 | NU 418 | 32 |
| 90,50 | 15,50 | | HJ 313 | 36 |
| 90,50 | 18 | | HJ 2313 | 36 |
| 92 | 115 | 9,50 | U 215 | 53 |
| 92,075 | 152,40 | 39,688 | 598/592 A | 43 |
| 94,30 | 11 | | HJ 215 | 36 |
| 95 | 120 | 13 | 61819 | 4 |
| 95 | 120 | 13 | 61819-2RS | 7 |
| 95 | 120 | 13 | 61819-2RZ | 9 |
| 95 | 130 | 18 | 61919 | 4 |
| 95 | 130 | 18 | 61919-2RS | 7 |
| 95 | 130 | 44 | 234919 | 57 |
| 95 | 135 | 16 | U 412 | 53 |
| 95 | 145 | 16 | 16019 | 4 |
| 95 | 145 | 24 | 6019 | 4 |
| 95 | 145 | 24 | 6019-Z | 5 |
| 95 | 145 | 24 | 6019-ZZ | 6 |
| 95 | 145 | 24 | 6019-2RS | 7 |
| 95 | 145 | 24 | 6019-RS | 8 |
| 95 | 145 | 24 | NU 1019 | 32 |
| 95 | 145 | 32 | 32019 | 43 |
| 95 | 145 | 37 | NN 3019 KTN9/SP | 38 |
| 95 | 145 | 37 | NN 3019 TN9/SP | 38 |
| 95 | 145 | 39 | 33019 | 43 |
| 95 | 145 | 60 | 234419 | 57 |
| 95 | 145 | 67 | SL045019-PP | 39 |
| 95 | 145 | 78 | 33019/DF | 44 |
| 95 | 160 | 67 | 52222 | 54 |

| Dimension (mm) Dimensioni (mm) | | | Designation Sigla | Fig. |
|-----------------------------------|-----|-------|----------------------|------|
| d | D | B | | |
| 95 | 170 | 32 | 6219 | 4 |
| 95 | 170 | 32 | 6219-Z | 5 |
| 95 | 170 | 32 | 6219-ZZ | 6 |
| 95 | 170 | 32 | 6219-2RS | 7 |
| 95 | 170 | 32 | 6219-RS | 8 |
| 95 | 170 | 32 | 6219 N | 11 |
| 95 | 170 | 32 | 6219 NR | 12 |
| 95 | 170 | 32 | 7219 B | 17 |
| 95 | 170 | 32 | QJ 219 N2 M | 22 |
| 95 | 170 | 32 | 1219 TN9 | 23 |
| 95 | 170 | 32 | 1219 K | 24 |
| 95 | 170 | 32 | NU 219 | 32 |
| 95 | 170 | 32 | NJ 219 | 33 |
| 95 | 170 | 32 | NUP 219 | 34 |
| 95 | 170 | 32 | N 219 | 35 |
| 95 | 170 | 35,50 | 30219 | 43 |
| 95 | 170 | 43 | 2219 | 23 |
| 95 | 170 | 43 | 2219 M | 23 |
| 95 | 170 | 43 | 2219 K | 24 |
| 95 | 170 | 43 | NU 2219 | 32 |
| 95 | 170 | 43 | NJ 2219 | 33 |
| 95 | 170 | 43 | NUP 2219 | 34 |
| 95 | 170 | 43 | 22219 | 45 |
| 95 | 170 | 43 | 22219 K | 46 |
| 95 | 170 | 45,50 | 32219 | 43 |
| 95 | 170 | 55,60 | 3219 A | 18 |
| 95 | 170 | 55,60 | 3219-ZZ | 20 |
| 95 | 170 | 55,60 | 3219-2RS | 21 |
| 95 | 170 | 91 | 32219 J/DF | 44 |
| 95 | 200 | 45 | 6319 | 4 |
| 95 | 200 | 45 | 6319-Z | 5 |
| 95 | 200 | 45 | 6319-ZZ | 6 |
| 95 | 200 | 45 | 6319-2RS | 7 |
| 95 | 200 | 45 | 6319-RS | 8 |
| 95 | 200 | 45 | 7319 B | 17 |
| 95 | 200 | 45 | QJ 319 N2 M | 22 |
| 95 | 200 | 45 | 1319 | 23 |
| 95 | 200 | 45 | 1319 K | 24 |
| 95 | 200 | 45 | NU 319 | 32 |
| 95 | 200 | 45 | NJ 319 | 33 |
| 95 | 200 | 45 | NUP 319 | 34 |
| 95 | 200 | 45 | N 319 | 35 |
| 95 | 200 | 45 | 21319 | 45 |
| 95 | 200 | 45 | 21319 K | 46 |
| 95 | 200 | 49,50 | 30319 | 43 |
| 95 | 200 | 49,50 | 31319 | 43 |
| 95 | 200 | 67 | 2319 | 23 |
| 95 | 200 | 67 | NU 2319 | 32 |
| 95 | 200 | 67 | NJ 2319 | 33 |
| 95 | 200 | 67 | NUP 2319 | 34 |
| 95 | 200 | 67 | 22319 | 45 |
| 95 | 200 | 67 | 22319 K | 46 |
| 95 | 200 | 67 | 22319 VA | 49 |
| 95 | 200 | 67 | 22319 KVA | 50 |
| 95 | 200 | 71,50 | 32319 | 43 |
| 95 | 200 | 77,80 | 3319 A | 18 |

| Dimension (mm) Dimensioni (mm) | | | Designation Sigla | Fig. |
|-----------------------------------|--------|--------|-------------------------|------|
| d | D | B | | |
| 95 | 200 | 77,80 | 3319 D | 19 |
| 95 | 200 | 99 | 31319 J/DF | 44 |
| 95 | 240 | 55 | NU 419 | 32 |
| 95,25 | 146,05 | 33,34 | 47896/47820 | 43 |
| 95,25 | 152,40 | 39,688 | 594/592 A | 43 |
| 97,30 | 15,50 | | HJ 314 | 36 |
| 97,30 | 18,50 | | HJ 2314 | 36 |
| 98 | 120 | 10 | U 216 | 53 |
| 98 | 130 | 13 | U 314 | 53 |
| 98,50 | 18 | | HJ 413 | 36 |
| 100 | 125 | 13 | 61820 | 4 |
| 100 | 125 | 13 | 61820-2RS | 7 |
| 100 | 125 | 13 | 61820-2RZ | 9 |
| 100 | 135 | 25 | 51120 | 51 |
| 100 | 140 | 20 | 61920 | 4 |
| 100 | 140 | 25 | 32920 | 43 |
| 100 | 140 | 40 | NNU 4920 K/SPW33 | 37 |
| 100 | 140 | 40 | NNU 4920 SPW33 | 37 |
| 100 | 140 | 48 | 234920 | 57 |
| 100 | 140 | 70 | FC 202870 | 40 |
| 100 | 140 | 104 | FC 2028104 | 40 |
| 100 | 150 | 16 | 16020 | 4 |
| 100 | 150 | 24 | 6020 | 4 |
| 100 | 150 | 24 | 6020-Z | 5 |
| 100 | 150 | 24 | 6020-ZZ | 6 |
| 100 | 150 | 24 | 6020-2RS | 7 |
| 100 | 150 | 24 | 6020-RS | 8 |
| 100 | 150 | 24 | 6020 N | 11 |
| 100 | 150 | 24 | 6020 NR | 12 |
| 100 | 150 | 24 | NU 1020 | 32 |
| 100 | 150 | 32 | 32020 | 43 |
| 100 | 150 | 37 | NN 3020 KTN9/SP | 38 |
| 100 | 150 | 37 | NN 3020 TN9/SP | 38 |
| 100 | 150 | 38 | 51220 | 51 |
| 100 | 150 | 39 | 33020 | 43 |
| 100 | 150 | 45 | 53220 | 52 |
| 100 | 150 | 50 | 24020 | 45 |
| 100 | 150 | 50 | 24020 K30 | 46 |
| 100 | 150 | 60 | 234420 | 57 |
| 100 | 150 | 64 | 32020 X/DF | 44 |
| 100 | 150 | 67 | SL045020-PP | 39 |
| 100 | 150 | 106 | FC 2030106 | 40 |
| 100 | 165 | 52 | 23120 | 45 |
| 100 | 165 | 52 | 23120 K | 46 |
| 100 | 165 | 65 | 24120 | 45 |
| 100 | 165 | 65 | 24120 K30 | 46 |
| 100 | 170 | 42 | 29320 M | 58 |
| 100 | 170 | 55 | 51320 | 51 |
| 100 | 170 | 64 | 53320 | 52 |
| 100 | 170 | 68 | 52224 | 54 |
| 100 | 180 | 34 | 6220 | 4 |
| 100 | 180 | 34 | 6220-Z | 5 |
| 100 | 180 | 34 | 6220-ZZ | 6 |
| 100 | 180 | 34 | 6220-2RS | 7 |
| 100 | 180 | 34 | 6220-RS | 8 |
| 100 | 180 | 34 | 6220 N | 11 |

| Dimension (mm) Dimensioni (mm) | | | Designation Sigla | Fig. |
|-----------------------------------|-----|-------|----------------------|------|
| d | D | B | | |
| 100 | 180 | 34 | 6220 NR | 12 |
| 100 | 180 | 34 | 7220 B | 17 |
| 100 | 180 | 34 | QJ 220 N2M | 22 |
| 100 | 180 | 34 | 1220 TN9 | 23 |
| 100 | 180 | 34 | 1220 K | 24 |
| 100 | 180 | 34 | NU 220 | 32 |
| 100 | 180 | 34 | NJ 220 | 33 |
| 100 | 180 | 34 | NUP 220 | 34 |
| 100 | 180 | 34 | N 220 | 35 |
| 100 | 180 | 37 | 30220 | 43 |
| 100 | 180 | 46 | 4220 ATN9 | 15 |
| 100 | 180 | 46 | 2220 | 23 |
| 100 | 180 | 46 | 2220 M | 23 |
| 100 | 180 | 46 | 2220 K | 24 |
| 100 | 180 | 46 | NU 2220 | 32 |
| 100 | 180 | 46 | NJ 2220 | 33 |
| 100 | 180 | 46 | NUP 2220 | 34 |
| 100 | 180 | 46 | 22220 | 45 |
| 100 | 180 | 46 | 22220 K | 46 |
| 100 | 180 | 49 | 32220 | 43 |
| 100 | 180 | 55 | 22220-2RS | 47 |
| 100 | 180 | 58 | 33220 | 43 |
| 100 | 180 | 60,30 | 3220 A | 18 |
| 100 | 180 | 60,30 | 3220 D | 19 |
| 100 | 180 | 60,30 | 3220-ZZ | 20 |
| 100 | 180 | 60,30 | 3220-2RS | 21 |
| 100 | 180 | 60,30 | 23220 | 45 |
| 100 | 180 | 60,30 | 23220 K | 46 |
| 100 | 180 | 74 | 30220 J/DF | 44 |
| 100 | 180 | 98 | 32220 J/DF | 44 |
| 100 | 210 | 67 | 29420 M | 58 |
| 100 | 210 | 85 | 51420 M | 51 |
| 100 | 210 | 98 | 53420 M | 52 |
| 100 | 215 | 47 | 6320 | 4 |
| 100 | 215 | 47 | 6320-Z | 5 |
| 100 | 215 | 47 | 6320-ZZ | 6 |
| 100 | 215 | 47 | 6320-2RS | 7 |
| 100 | 215 | 47 | 6320-RS | 8 |
| 100 | 215 | 47 | 7320 B | 17 |
| 100 | 215 | 47 | QJ 320 N2M | 22 |
| 100 | 215 | 47 | 1320 K | 24 |
| 100 | 215 | 47 | NU 320 | 32 |
| 100 | 215 | 47 | NJ 320 | 33 |
| 100 | 215 | 47 | NUP 320 | 34 |
| 100 | 215 | 47 | N 320 | 35 |
| 100 | 215 | 47 | 21320 | 45 |
| 100 | 215 | 47 | 21320 K | 46 |
| 100 | 215 | 51,70 | 30320 | 43 |
| 100 | 215 | 52 | 1320 | 23 |
| 100 | 215 | 56,50 | 31320 | 43 |
| 100 | 215 | 73 | 2320 | 23 |
| 100 | 215 | 73 | 2320 K | 24 |
| 100 | 215 | 73 | NU 2320 | 32 |
| 100 | 215 | 73 | NJ 2320 | 33 |
| 100 | 215 | 73 | NUP 2320 | 34 |
| 100 | 215 | 73 | 22320 | 45 |

| Dimension (mm) Dimensioni (mm) | | | Designation Sigla | Fig. |
|-----------------------------------|---------|--------|--------------------------|------|
| d | D | B | | |
| 100 | 215 | 73 | 22320 K | 46 |
| 100 | 215 | 73 | 22320 VA | 49 |
| 100 | 215 | 73 | 22320 KVA | 50 |
| 100 | 215 | 77,50 | 32320 | 43 |
| 100 | 215 | 82,60 | 3320 A | 18 |
| 100 | 215 | 82,60 | 3320 | 19 |
| 100 | 215 | 82,60 | 3320 D | 19 |
| 100 | 215 | 103 | 30320J/DFC400 | 44 |
| 100 | 215 | 113 | 31320 XJ/DF | 44 |
| 100 | 250 | 58 | NU 420 | 32 |
| 101 | 12,50 | | HJ 216 | 36 |
| 101 | 12,50 | | HJ 2216 | 36 |
| 101,60 | 168,275 | 41,275 | 687/672 | 43 |
| 104 | 16,50 | | HJ 315 | 36 |
| 104 | 19,50 | | HJ 2315 | 36 |
| 105 | 130 | 11 | U 217 | 53 |
| 105 | 130 | 13 | 61821 | 4 |
| 105 | 130 | 13 | 61821-2RS | 7 |
| 105 | 130 | 13 | 61821-2RZ | 9 |
| 105 | 140 | 15 | U 315 | 53 |
| 105 | 145 | 20 | 61921 | 4 |
| 105 | 145 | 40 | NNU 4921 K/SPW33 | 37 |
| 105 | 145 | 40 | NNU 4921 SPW33 | 37 |
| 105 | 145 | 48 | 234921 | 57 |
| 105 | 160 | 18 | 16021 | 4 |
| 105 | 160 | 26 | 6021 | 4 |
| 105 | 160 | 26 | 6021-Z | 5 |
| 105 | 160 | 26 | 6021-ZZ | 6 |
| 105 | 160 | 26 | 6021-2RS | 7 |
| 105 | 160 | 26 | 6021-RS | 8 |
| 105 | 160 | 26 | 6021 N | 11 |
| 105 | 160 | 26 | 6021 NR | 12 |
| 105 | 160 | 26 | NU 1021 | 32 |
| 105 | 160 | 35 | 32021 | 43 |
| 105 | 160 | 41 | NN 3021 KTN9/SP | 38 |
| 105 | 160 | 41 | NN 3021 TN9/SP | 38 |
| 105 | 160 | 43 | 33021 | 43 |
| 105 | 160 | 66 | 234421 | 57 |
| 105 | 160 | 70 | 32021 X/DF | 44 |
| 105 | 175 | 69 | NNU 4121 K30M/W33 | 37 |
| 105 | 175 | 69 | NNU 4121 M/W33 | 37 |
| 105 | 190 | 36 | 6221 | 4 |
| 105 | 190 | 36 | 6221-Z | 5 |
| 105 | 190 | 36 | 6221-ZZ | 6 |
| 105 | 190 | 36 | 6221-2RS | 7 |
| 105 | 190 | 36 | 6221-RS | 8 |
| 105 | 190 | 36 | 7221 B | 17 |
| 105 | 190 | 36 | 1221 TN9 | 23 |
| 105 | 190 | 36 | NU 221 | 32 |
| 105 | 190 | 36 | NJ 221 | 33 |
| 105 | 190 | 36 | NUP 221 | 34 |
| 105 | 190 | 36 | N 221 | 35 |
| 105 | 190 | 39 | 30221 | 43 |
| 105 | 190 | 53 | 32221 | 43 |
| 105 | 190 | 65,10 | 3221 | 19 |
| 105 | 225 | 49 | 6321 | 4 |

| Dimension (mm) Dimensioni (mm) | | | Designation Sigla | Fig. |
|-----------------------------------|-------|-------|----------------------|------|
| d | D | B | | |
| 105 | 225 | 49 | 6321-Z | 5 |
| 105 | 225 | 49 | 6321-ZZ | 6 |
| 105 | 225 | 49 | 7321 B | 17 |
| 105 | 225 | 49 | NU 321 | 32 |
| 105 | 225 | 49 | NJ 321 | 33 |
| 105 | 225 | 49 | N 321 | 35 |
| 105 | 225 | 81,50 | 32321 | 43 |
| 105 | 260 | 60 | NU 421 | 32 |
| 107 | 12,50 | | HJ 217 | 36 |
| 110 | 17 | | HJ 316 | 36 |
| 110 | 20 | | HJ 2316 | 36 |
| 110 | 20 | | HJ 414 | 36 |
| 110 | 140 | 13,50 | U 218 | 53 |
| 110 | 140 | 16 | 61822 | 4 |
| 110 | 140 | 16 | 61822-2RS | 7 |
| 110 | 140 | 16 | 61822-2RZ | 9 |
| 110 | 145 | 15 | U 316 | 53 |
| 110 | 145 | 18 | U 316 | 56 |
| 110 | 145 | 25 | 51122 | 51 |
| 110 | 150 | 20 | 61922 | 4 |
| 110 | 150 | 25 | 32922 | 43 |
| 110 | 150 | 40 | NUU 4922 K/SPW33 | 37 |
| 110 | 150 | 40 | NUU 4922 SPW33 | 37 |
| 110 | 150 | 48 | 234922 | 57 |
| 110 | 155 | 19,50 | U 414 | 53 |
| 110 | 160 | 38 | 51222 | 51 |
| 110 | 160 | 45 | 53222 | 52 |
| 110 | 170 | 19 | 16022 | 4 |
| 110 | 170 | 28 | 6022 | 4 |
| 110 | 170 | 28 | 6022-Z | 5 |
| 110 | 170 | 28 | 6022-ZZ | 6 |
| 110 | 170 | 28 | 6022-2RS | 7 |
| 110 | 170 | 28 | 6022-RS | 8 |
| 110 | 170 | 28 | 6022 N | 11 |
| 110 | 170 | 28 | 6022 NR | 12 |
| 110 | 170 | 28 | QJ 1022 | 22 |
| 110 | 170 | 28 | NU 1022 | 32 |
| 110 | 170 | 38 | 32022 | 43 |
| 110 | 170 | 45 | NN 3022 KTN9/SP | 38 |
| 110 | 170 | 45 | NN 3022 TN9/SP | 38 |
| 110 | 170 | 45 | 23022 | 45 |
| 110 | 170 | 45 | 23022 K | 46 |
| 110 | 170 | 45 | 23022-2RS | 47 |
| 110 | 170 | 47 | 33022 | 43 |
| 110 | 170 | 60 | 24022 | 45 |
| 110 | 170 | 60 | 24022 K30 | 46 |
| 110 | 170 | 72 | 234422 | 57 |
| 110 | 170 | 76 | 32022 X/DF | 44 |
| 110 | 170 | 80 | SL045022-PP | 39 |
| 110 | 170 | 120 | FC 2234120 | 40 |
| 110 | 180 | 56 | 33122 | 43 |
| 110 | 180 | 56 | 23122 | 45 |
| 110 | 180 | 56 | 23122 K | 46 |
| 110 | 180 | 56 | 23122-2RS | 47 |
| 110 | 180 | 69 | NUU 4122 K30M/W33 | 37 |
| 110 | 180 | 69 | NUU 4122 M/W33 | 37 |

| Dimension (mm) Dimensioni (mm) | | | Designation Sigla | Fig. |
|-----------------------------------|-----|-------|----------------------|------|
| d | D | B | | |
| 110 | 180 | 69 | 24122 | 45 |
| 110 | 180 | 69 | 24122 K30 | 46 |
| 110 | 180 | 69 | 24122-2RS | 47 |
| 110 | 180 | 112 | 33122/DF | 44 |
| 110 | 190 | 48 | 29322 M | 58 |
| 110 | 190 | 63 | 51322 | 51 |
| 110 | 190 | 72 | 53322 M | 52 |
| 110 | 190 | 80 | 52226 | 54 |
| 110 | 200 | 38 | 6222 | 4 |
| 110 | 200 | 38 | 6222-Z | 5 |
| 110 | 200 | 38 | 6222-ZZ | 6 |
| 110 | 200 | 38 | 7222 B | 17 |
| 110 | 200 | 38 | QJ 222 N2M | 22 |
| 110 | 200 | 38 | 1222 TN9 | 23 |
| 110 | 200 | 38 | 1222 K | 24 |
| 110 | 200 | 38 | NU 222 | 32 |
| 110 | 200 | 38 | NJ 222 | 33 |
| 110 | 200 | 38 | NUP 222 | 34 |
| 110 | 200 | 38 | N 222 | 35 |
| 110 | 200 | 41 | 30222 | 43 |
| 110 | 200 | 50 | 6322 | 4 |
| 110 | 200 | 50 | 7322 B | 17 |
| 110 | 200 | 50 | QJ 322 N2M | 22 |
| 110 | 200 | 50 | NU 322 | 32 |
| 110 | 200 | 50 | NJ 322 | 33 |
| 110 | 200 | 50 | N 322 | 35 |
| 110 | 200 | 50 | 21322 | 45 |
| 110 | 200 | 53 | 2222 | 23 |
| 110 | 200 | 53 | 2222 M | 23 |
| 110 | 200 | 53 | 2222 KM | 24 |
| 110 | 200 | 53 | NU 2222 | 32 |
| 110 | 200 | 53 | NJ 2222 | 33 |
| 110 | 200 | 53 | NUP 2222 | 34 |
| 110 | 200 | 53 | 22222 | 45 |
| 110 | 200 | 53 | 22222 K | 46 |
| 110 | 200 | 54,50 | 30322 | 43 |
| 110 | 200 | 56 | 32222 | 43 |
| 110 | 200 | 63 | 22222-2RS | 47 |
| 110 | 200 | 69,80 | 3222 A | 18 |
| 110 | 200 | 69,80 | 23222 | 45 |
| 110 | 200 | 69,80 | 23222 K | 46 |
| 110 | 200 | 73 | 29422 M | 58 |
| 110 | 200 | 82 | 30222 J/DF | 44 |
| 110 | 200 | 112 | 32222 J/DF | 44 |
| 110 | 230 | 95 | 51422 M | 51 |
| 110 | 240 | 50 | 1322 M | 23 |
| 110 | 240 | 50 | 1322 KM | 24 |
| 110 | 240 | 50 | NUP 322 | 34 |
| 110 | 240 | 63 | 31322 | 43 |
| 110 | 240 | 80 | NU 2322 | 32 |
| 110 | 240 | 80 | NJ 2322 | 33 |
| 110 | 240 | 80 | NUP 2322 | 34 |
| 110 | 240 | 80 | 22322 | 45 |
| 110 | 240 | 80 | 22322 K | 46 |
| 110 | 240 | 80 | 22322 VA | 49 |
| 110 | 240 | 80 | 22322 KVA | 50 |

| Dimension (mm) Dimensioni (mm) | | | Designation Sigla | Fig. |
|-----------------------------------|---------|--------|-------------------------|------|
| d | D | B | | |
| 110 | 240 | 84,50 | 32322 | 43 |
| 110 | 240 | 92,10 | 3322 A | 18 |
| 110 | 240 | 92,10 | 3322 D | 19 |
| 110 | 240 | 126 | 31322 XJ/DF | 44 |
| 110 | 280 | 65 | NU 422 | 32 |
| 110 | 280 | 65 | NJ 422 | 33 |
| 114 | 14 | | HJ 218 | 36 |
| 114 | 15 | | HJ 2218 | 36 |
| 114,30 | 177,80 | 41,275 | 64450/64700 | 43 |
| 114,30 | 180,975 | 34,925 | 68450/68712 | 43 |
| 115 | 155 | 17,50 | U 317 | 53 |
| 115 | 155 | 17,50 | U 317 | 56 |
| 115 | 165 | 21 | U 415 | 53 |
| 116 | 21,50 | | HJ 415 | 36 |
| 117 | 18,50 | | HJ 317 | 36 |
| 117 | 22 | | HJ 2317 | 36 |
| 120 | 14 | | HJ 219 | 36 |
| 120 | 150 | 16 | 61824 | 4 |
| 120 | 150 | 16 | 61824-2RS | 7 |
| 120 | 150 | 16 | 61824-2RZ | 9 |
| 120 | 155 | 25 | 51124 | 51 |
| 120 | 160 | 18 | U 318 | 53 |
| 120 | 165 | 22 | 61924 | 4 |
| 120 | 165 | 29 | 32924 | 43 |
| 120 | 165 | 45 | NUU 4924 K/SPW33 | 37 |
| 120 | 165 | 45 | NUU 4924 SPW33 | 37 |
| 120 | 165 | 54 | 234924 | 57 |
| 120 | 170 | 39 | 51224 | 51 |
| 120 | 170 | 46 | 53224 | 52 |
| 120 | 180 | 19 | 16024 | 4 |
| 120 | 180 | 28 | 6024 | 4 |
| 120 | 180 | 28 | 6024-Z | 5 |
| 120 | 180 | 28 | 6024-ZZ | 6 |
| 120 | 180 | 28 | 6024-2RS | 7 |
| 120 | 180 | 28 | 6024-RS | 8 |
| 120 | 180 | 28 | 6024 N | 11 |
| 120 | 180 | 28 | 6024 NR | 12 |
| 120 | 180 | 28 | 7024 B | 17 |
| 120 | 180 | 28 | NU 1024 | 32 |
| 120 | 180 | 38 | 32024 | 43 |
| 120 | 180 | 46 | NN 3024 KTN9/SP | 38 |
| 120 | 180 | 46 | NN 3024 TN9/SP | 38 |
| 120 | 180 | 46 | 23024 | 45 |
| 120 | 180 | 46 | 23024 K | 46 |
| 120 | 180 | 46 | 23024-2RS | 47 |
| 120 | 180 | 48 | 33024 | 43 |
| 120 | 180 | 60 | 24024 | 45 |
| 120 | 180 | 60 | 24024 K30 | 46 |
| 120 | 180 | 60 | 24024-2RS | 47 |
| 120 | 180 | 72 | 234424 | 57 |
| 120 | 180 | 76 | 32024 X/DF | 44 |
| 120 | 180 | 80 | SL045024-PP | 39 |
| 120 | 180 | 96 | 33024/DFC250 | 44 |
| 120 | 180 | 105 | FC 2436105 | 40 |
| 120 | 200 | 62 | 23124 | 45 |
| 120 | 200 | 62 | 23124 K | 46 |

| Dimension (mm) Dimensioni (mm) | | | Designation Sigla | Fig. |
|-----------------------------------|-----|-------|--------------------------|------|
| d | D | B | | |
| 120 | 200 | 80 | NUU 4124 K30M/W33 | 37 |
| 120 | 200 | 80 | NUU 4124 M/W33 | 37 |
| 120 | 200 | 80 | 24124 | 45 |
| 120 | 200 | 80 | 24124 K30 | 46 |
| 120 | 200 | 80 | 24124-2RS | 47 |
| 120 | 200 | 81 | 52228 | 54 |
| 120 | 210 | 54 | 29324 M | 58 |
| 120 | 210 | 70 | 51324 M | 51 |
| 120 | 210 | 80 | 53324 M | 52 |
| 120 | 215 | 40 | 6224 | 4 |
| 120 | 215 | 40 | 6224-Z | 5 |
| 120 | 215 | 40 | 6224-ZZ | 6 |
| 120 | 215 | 40 | 7224 B | 17 |
| 120 | 215 | 40 | QJ 224 N2M | 22 |
| 120 | 215 | 40 | NU 224 | 32 |
| 120 | 215 | 40 | NJ 224 | 33 |
| 120 | 215 | 40 | NUP 224 | 34 |
| 120 | 215 | 40 | N 224 | 35 |
| 120 | 215 | 42 | 1224 KM | 24 |
| 120 | 215 | 43,50 | 30224 | 43 |
| 120 | 215 | 45 | 1224 M | 23 |
| 120 | 215 | 58 | NU 2224 | 32 |
| 120 | 215 | 58 | NJ 2224 | 33 |
| 120 | 215 | 58 | NUP 2224 | 34 |
| 120 | 215 | 58 | 22224 | 45 |
| 120 | 215 | 58 | 22224 K | 46 |
| 120 | 215 | 58 | 23224 K | 46 |
| 120 | 215 | 61,50 | 32224 | 43 |
| 120 | 215 | 69 | 22224-2RS | 47 |
| 120 | 215 | 76 | 23224 | 45 |
| 120 | 215 | 87 | 30224J/DF | 44 |
| 120 | 215 | 123 | 32224 J/DF | 44 |
| 120 | 250 | 78 | 29424 M | 58 |
| 120 | 250 | 102 | 51424 M | 51 |
| 120 | 260 | 55 | 6324 | 4 |
| 120 | 260 | 55 | 7324 B | 17 |
| 120 | 260 | 55 | QJ 324 N2 M | 22 |
| 120 | 260 | 55 | NU 324 | 32 |
| 120 | 260 | 55 | NJ 324 | 33 |
| 120 | 260 | 55 | NUP 324 | 34 |
| 120 | 260 | 55 | N 324 | 35 |
| 120 | 260 | 59,50 | 30324 | 43 |
| 120 | 260 | 68 | 31324 | 43 |
| 120 | 260 | 86 | QJ 2324 N2 | 22 |
| 120 | 260 | 86 | NU 2324 | 32 |
| 120 | 260 | 86 | NJ 2324 | 33 |
| 120 | 260 | 86 | NUP 2324 | 34 |
| 120 | 260 | 86 | 22324 | 45 |
| 120 | 260 | 86 | 22324 K | 46 |
| 120 | 260 | 86 | 22324 VA | 49 |
| 120 | 260 | 86 | 22324 KVA | 50 |
| 120 | 260 | 90,50 | 32324 | 43 |
| 120 | 260 | 106 | 3324 | 19 |
| 120 | 260 | 119 | 30324J/DFC600 | 44 |
| 120 | 260 | 136 | 31324 XJ/DF | 44 |
| 120 | 310 | 72 | NU 424 | 32 |

| Dimension (mm) Dimensioni (mm) | | | Designation Sigla | Fig. |
|-----------------------------------|---------|--------|----------------------|------|
| d | D | B | | |
| 122 | 22 | | HJ 416 | 36 |
| 124 | 18,50 | | HJ 318 | 36 |
| 124 | 22 | | HJ 2318 | 36 |
| 125 | 155 | 14 | U 220 | 53 |
| 125 | 175 | 22 | U 416 | 56 |
| 126 | 24 | | HJ 417 | 36 |
| 127 | 15 | | HJ 220 | 36 |
| 127 | 16 | | HJ 2220 | 36 |
| 127 | 182,562 | 39,688 | 48290/48220 | 43 |
| 127 | 196,85 | 46,038 | 67388/67322 | 43 |
| 130 | 165 | 18 | 61826 | 4 |
| 130 | 165 | 18 | 61826-2RS | 7 |
| 130 | 165 | 18 | 61826-2RZ | 9 |
| 130 | 170 | 30 | 51126 | 51 |
| 130 | 180 | 24 | 61926 | 4 |
| 130 | 180 | 32 | 32926 | 43 |
| 130 | 180 | 50 | NUU 4926 K/SPW33 | 37 |
| 130 | 180 | 50 | NUU 4926 SPW33 | 37 |
| 130 | 180 | 60 | 234926 | 57 |
| 130 | 180 | 64 | 32926/DF | 44 |
| 130 | 190 | 45 | 51226 | 51 |
| 130 | 190 | 53 | 53226 | 52 |
| 130 | 190 | 80 | SL04130-PP | 39 |
| 130 | 200 | 22 | 16026 | 4 |
| 130 | 200 | 33 | 6026 | 4 |
| 130 | 200 | 33 | 6026-Z | 5 |
| 130 | 200 | 33 | 6026-ZZ | 6 |
| 130 | 200 | 33 | 6026-2RS | 7 |
| 130 | 200 | 33 | 6026-RS | 8 |
| 130 | 200 | 33 | NU 1026 | 32 |
| 130 | 200 | 45 | 32026 | 43 |
| 130 | 200 | 52 | NN 3026 KTN9/SP | 38 |
| 130 | 200 | 52 | NN 3026 TN9/SP | 38 |
| 130 | 200 | 52 | 23026 | 45 |
| 130 | 200 | 52 | 23026 K | 46 |
| 130 | 200 | 52 | 23026-2RS | 47 |
| 130 | 200 | 69 | 24026 | 45 |
| 130 | 200 | 69 | 24026 K30 | 46 |
| 130 | 200 | 69 | 24026-2RS | 47 |
| 130 | 200 | 84 | 234426 | 57 |
| 130 | 200 | 90 | 32026 X/DF | 44 |
| 130 | 200 | 95 | SL045026-PP | 39 |
| 130 | 200 | 125 | FC 2640125 | 40 |
| 130 | 210 | 64 | 23126 | 45 |
| 130 | 210 | 64 | 23126 K | 46 |
| 130 | 210 | 80 | NUU 4126 K30M/W33 | 37 |
| 130 | 210 | 80 | NUU 4126 M/W33 | 37 |
| 130 | 210 | 80 | 24126 | 45 |
| 130 | 210 | 80 | 24126 K30 | 46 |
| 130 | 210 | 80 | 24126-2RS | 47 |
| 130 | 215 | 89 | 52230 M | 54 |
| 130 | 225 | 58 | 29326 M | 58 |
| 130 | 225 | 75 | 51326 M | 51 |
| 130 | 230 | 40 | 6226 | 4 |
| 130 | 230 | 40 | 6226-Z | 5 |
| 130 | 230 | 40 | 6226-ZZ | 6 |

| Dimension (mm) Dimensioni (mm) | | | Designation Sigla | Fig. |
|-----------------------------------|--------|--------|----------------------|------|
| d | D | B | | |
| 130 | 230 | 40 | 7226 B | 17 |
| 130 | 230 | 40 | QJ 226 N2M | 22 |
| 130 | 230 | 40 | NU 226 | 32 |
| 130 | 230 | 40 | NJ 226 | 33 |
| 130 | 230 | 40 | NUP 226 | 34 |
| 130 | 230 | 40 | N 226 | 35 |
| 130 | 230 | 46 | 1226 M | 23 |
| 130 | 230 | 53 | 30226 | 43 |
| 130 | 230 | 64 | NU 2226 | 32 |
| 130 | 230 | 64 | NJ 2226 | 33 |
| 130 | 230 | 64 | NUP 2226 | 34 |
| 130 | 230 | 64 | 22226 | 45 |
| 130 | 230 | 64 | 22226 K | 46 |
| 130 | 230 | 67,10 | 32226 | 43 |
| 130 | 230 | 80 | 23226 | 45 |
| 130 | 230 | 80 | 23226 K | 46 |
| 130 | 230 | 87,50 | 30226 J/DF | 44 |
| 130 | 230 | 135,50 | 32226 J/DF | 44 |
| 130 | 270 | 85 | 29426 M | 58 |
| 130 | 270 | 110 | 51426 M | 51 |
| 130 | 280 | 58 | 6326 M | 4 |
| 130 | 280 | 58 | 7326 B | 17 |
| 130 | 280 | 58 | QJ 326 N2 M | 22 |
| 130 | 280 | 58 | NU 326 | 32 |
| 130 | 280 | 58 | NJ 326 | 33 |
| 130 | 280 | 58 | NUP 326 | 34 |
| 130 | 280 | 58 | N 326 | 35 |
| 130 | 280 | 63,75 | 30326 | 43 |
| 130 | 280 | 72 | 31326 | 43 |
| 130 | 280 | 93 | QJ 2326 N2 | 22 |
| 130 | 280 | 93 | NU 2326 | 32 |
| 130 | 280 | 93 | NJ 2326 | 33 |
| 130 | 280 | 93 | NUP 2326 | 34 |
| 130 | 280 | 93 | 22326 | 45 |
| 130 | 280 | 93 | 22326 K | 46 |
| 130 | 280 | 93 | 22326 VA | 49 |
| 130 | 280 | 93 | 22326 KVA | 50 |
| 130 | 280 | 144 | 31326 XJ/DF | 44 |
| 132 | 20,50 | | HJ 319 | 36 |
| 132 | 24,50 | | HJ 2319 | 36 |
| 133,35 | 196,85 | 46,038 | 67391/67322 | 43 |
| 134 | 17,50 | | HJ 221 | 36 |
| 135 | 165 | 14 | U 222 | 53 |
| 135 | 175 | 18 | U 320 | 53 |
| 139 | 20,50 | | HJ 320 | 36 |
| 139 | 23,50 | | HJ 2320 | 36 |
| 139,70 | 236,54 | 57,15 | HM 231132/110 | 43 |
| 140 | 175 | 18 | 61828 | 4 |
| 140 | 175 | 18 | 61828-2RS | 7 |
| 140 | 175 | 18 | 61828-2RZ | 9 |
| 140 | 180 | 31 | 51128 | 51 |
| 140 | 190 | 24 | 61928 MA | 4 |
| 140 | 190 | 32 | 32928 | 43 |
| 140 | 190 | 50 | NUU 4928 K/SPW33 | 37 |
| 140 | 190 | 50 | NUU 4928 SPW33 | 37 |
| 140 | 190 | 60 | 234928 | 57 |

| Dimension (mm) Dimensioni (mm) | | | Designation Sigla | Fig. |
|-----------------------------------|-----|--------|--------------------------|------|
| d | D | B | | |
| 140 | 195 | 25,50 | U 418 | 53 |
| 140 | 200 | 46 | 51228 | 51 |
| 140 | 200 | 55 | 53228 | 52 |
| 140 | 200 | 80 | SL04140-PP | 39 |
| 140 | 210 | 22 | 16028 | 4 |
| 140 | 210 | 33 | 6028 | 4 |
| 140 | 210 | 33 | 6028-Z | 5 |
| 140 | 210 | 33 | 6028-ZZ | 6 |
| 140 | 210 | 33 | 6028-2RS | 7 |
| 140 | 210 | 33 | 6028-RS | 8 |
| 140 | 210 | 33 | 7028 B | 17 |
| 140 | 210 | 33 | NU 1028 | 32 |
| 140 | 210 | 45 | 32028 | 43 |
| 140 | 210 | 53 | NN 3028 K/SPW33 | 38 |
| 140 | 210 | 53 | NN 3028/SPW33 | 38 |
| 140 | 210 | 53 | 23028 | 45 |
| 140 | 210 | 53 | 23028 K | 46 |
| 140 | 210 | 69 | 24028 | 45 |
| 140 | 210 | 69 | 24028 K30 | 46 |
| 140 | 210 | 69 | 24028-2RS | 47 |
| 140 | 210 | 84 | 234428 | 57 |
| 140 | 210 | 90 | 32028 X/DF | 44 |
| 140 | 210 | 95 | SL045028-PP | 39 |
| 140 | 210 | 125 | FC 2842125 | 40 |
| 140 | 225 | 68 | 23128 | 45 |
| 140 | 225 | 68 | 23128 K | 46 |
| 140 | 225 | 85 | NNU 4128 K30M/W33 | 37 |
| 140 | 225 | 85 | NNU 4128 M/W33 | 37 |
| 140 | 225 | 85 | 24128 | 45 |
| 140 | 225 | 85 | 24128 K30 | 46 |
| 140 | 225 | 85 | 24128-2RS | 47 |
| 140 | 225 | 90 | 52232 M | 54 |
| 140 | 240 | 60 | 29328 M | 58 |
| 140 | 240 | 80 | 51328 M | 51 |
| 140 | 250 | 42 | 6228 | 4 |
| 140 | 250 | 42 | 7228 B | 17 |
| 140 | 250 | 42 | QJ 228 N2M | 22 |
| 140 | 250 | 42 | NU 228 | 32 |
| 140 | 250 | 42 | NJ 228 | 33 |
| 140 | 250 | 42 | NUP 228 | 34 |
| 140 | 250 | 42 | N 228 | 35 |
| 140 | 250 | 45,75 | 30228 | 43 |
| 140 | 250 | 68 | NU 2228 | 32 |
| 140 | 250 | 68 | NJ 2228 | 33 |
| 140 | 250 | 68 | NUP 2228 | 34 |
| 140 | 250 | 68 | 22228 | 45 |
| 140 | 250 | 68 | 22228 K | 46 |
| 140 | 250 | 71,50 | 32228 | 43 |
| 140 | 250 | 88 | 23228 | 45 |
| 140 | 250 | 88 | 23228 K | 46 |
| 140 | 250 | 88 | 23228-2RS | 47 |
| 140 | 250 | 91,50 | 30228J/DFC100 | 44 |
| 140 | 250 | 143,50 | 32228 J/DF | 44 |
| 140 | 280 | 85 | 29428 M | 58 |
| 140 | 280 | 112 | 51428 M | 51 |
| 140 | 300 | 62 | 6328 M | 4 |

| Dimension (mm) Dimensioni (mm) | | | Designation Sigla | Fig. |
|-----------------------------------|-----|-------|-------------------------|------|
| d | D | B | | |
| 140 | 300 | 62 | 7328 B | 17 |
| 140 | 300 | 62 | QJ 328 N2 M | 22 |
| 140 | 300 | 62 | NU 328 | 32 |
| 140 | 300 | 62 | NJ 328 | 33 |
| 140 | 300 | 62 | NUP 328 | 34 |
| 140 | 300 | 67,75 | 30328 | 43 |
| 140 | 300 | 77 | 31328 | 43 |
| 140 | 300 | 102 | NU 2328 | 32 |
| 140 | 300 | 102 | NJ 2328 | 33 |
| 140 | 300 | 102 | NUP 2328 | 34 |
| 140 | 300 | 102 | 22328 | 45 |
| 140 | 300 | 102 | 22328 K | 46 |
| 140 | 300 | 102 | 22328 VA | 49 |
| 140 | 300 | 102 | 22328 KVA | 50 |
| 140 | 300 | 154 | 31328 XJ/DF | 44 |
| 141 | 17 | | HJ 222 | 36 |
| 145 | 175 | 15 | U 224 | 53 |
| 145 | 210 | 155 | FC 2942155 | 40 |
| 150 | 190 | 20 | 61830 | 4 |
| 150 | 190 | 31 | 51130 M | 51 |
| 150 | 195 | 20,50 | U 322 | 53 |
| 150 | 210 | 28 | 61930 MA | 4 |
| 150 | 210 | 60 | NNU 4930 K/SPW33 | 37 |
| 150 | 210 | 60 | NNU 4930 SPW33 | 37 |
| 150 | 210 | 72 | 234930 | 57 |
| 150 | 210 | 80 | SL04150-PP | 39 |
| 150 | 215 | 39 | 29230 M | 58 |
| 150 | 215 | 50 | 51230 M | 51 |
| 150 | 225 | 24 | 16030 | 4 |
| 150 | 225 | 35 | 6030 | 4 |
| 150 | 225 | 35 | 6030-Z | 5 |
| 150 | 225 | 35 | 6030-ZZ | 6 |
| 150 | 225 | 35 | 6030-2RS | 7 |
| 150 | 225 | 35 | 6030-RS | 8 |
| 150 | 225 | 35 | 7030 B | 17 |
| 150 | 225 | 35 | QJ 1030 | 22 |
| 150 | 225 | 35 | NU 1030 | 32 |
| 150 | 225 | 48 | 32030 | 43 |
| 150 | 225 | 56 | 1330 | 23 |
| 150 | 225 | 56 | NN 3030 K/SPW33 | 38 |
| 150 | 225 | 56 | NN 3030/SPW33 | 38 |
| 150 | 225 | 56 | 23030 | 45 |
| 150 | 225 | 56 | 23030 K | 46 |
| 150 | 225 | 59 | 33030 | 43 |
| 150 | 225 | 75 | 24030 | 45 |
| 150 | 225 | 75 | 24030 K30 | 46 |
| 150 | 225 | 75 | 24030-2RS | 47 |
| 150 | 225 | 90 | 234430 | 57 |
| 150 | 225 | 96 | 32030 X/DF | 44 |
| 150 | 225 | 100 | SL045030-PP | 39 |
| 150 | 225 | 120 | FC 3045120 | 40 |
| 150 | 225 | 120 | FCD 3045120 | 41 |
| 150 | 230 | 156 | FC 3046156 | 40 |
| 150 | 240 | 97 | 52234 M | 54 |
| 150 | 250 | 60 | 29330 M | 58 |
| 150 | 250 | 80 | 23130 | 45 |

| Dimension (mm) Dimensioni (mm) | | | Designation Sigla | Fig. |
|-----------------------------------|---------|--------|--------------------------|------|
| d | D | B | | |
| 150 | 250 | 80 | 23130 K | 46 |
| 150 | 250 | 80 | 51330 M | 51 |
| 150 | 250 | 98 | 52236 M | 54 |
| 150 | 250 | 100 | NUU 4130 K30M/W33 | 37 |
| 150 | 250 | 100 | NUU 4130 M/W33 | 37 |
| 150 | 250 | 100 | 24130 | 45 |
| 150 | 250 | 100 | 24130 K30 | 46 |
| 150 | 250 | 100 | 24130-2RS | 47 |
| 150 | 270 | 45 | 6230 | 4 |
| 150 | 270 | 45 | 7230 B | 17 |
| 150 | 270 | 45 | QJ 230 N2M | 22 |
| 150 | 270 | 45 | NU 230 | 32 |
| 150 | 270 | 45 | NJ 230 | 33 |
| 150 | 270 | 45 | NUP 230 | 34 |
| 150 | 270 | 57 | 30230 | 43 |
| 150 | 270 | 73 | NU 2230 | 32 |
| 150 | 270 | 73 | NJ 2230 | 33 |
| 150 | 270 | 73 | 22230 | 45 |
| 150 | 270 | 73 | 22230 K | 46 |
| 150 | 270 | 77 | 32230 | 43 |
| 150 | 270 | 96 | 23230 | 45 |
| 150 | 270 | 96 | 23230 K | 46 |
| 150 | 270 | 154 | 32230 J/DF | 44 |
| 150 | 300 | 90 | 29430 M | 58 |
| 150 | 300 | 120 | 51430 M | 51 |
| 150 | 320 | 65 | 6330 M | 4 |
| 150 | 320 | 65 | 7330 B | 17 |
| 150 | 320 | 65 | QJ 330 N2 M | 22 |
| 150 | 320 | 65 | NU 330 | 32 |
| 150 | 320 | 65 | NJ 330 | 33 |
| 150 | 320 | 72 | 30330 | 43 |
| 150 | 320 | 82 | 31330 | 43 |
| 150 | 320 | 108 | NU 2330 | 32 |
| 150 | 320 | 108 | NJ 2330 | 33 |
| 150 | 320 | 108 | NUP 2330 | 34 |
| 150 | 320 | 108 | 22330 | 45 |
| 150 | 320 | 108 | 22330 K | 46 |
| 150 | 320 | 108 | 22330K | 46 |
| 150 | 320 | 108 | 22330 VA | 49 |
| 150 | 320 | 108 | 22330 KVA | 50 |
| 150 | 320 | 164 | 31330 XJ/DF | 44 |
| 153 | 17 | | HJ 224 | 36 |
| 153 | 20 | | HJ 2224 | 36 |
| 153 | 27 | | HJ 420 | 36 |
| 155 | 22 | | HJ 322 | 36 |
| 155 | 26,50 | | HJ 2322 | 36 |
| 155 | 220 | 27 | U420 | 53 |
| 155 | 220 | 27 | U 420 | 56 |
| 158,75 | 205,583 | 23,812 | L 432348/310 | 43 |
| 158,75 | 205,583 | 23,812 | L 432349/310 | 43 |
| 160 | 195 | 17 | U 226 | 53 |
| 160 | 200 | 20 | 61832 | 4 |
| 160 | 200 | 31 | 51132 M | 51 |
| 160 | 220 | 28 | 61932 MA | 4 |
| 160 | 220 | 60 | NUU 4932 K/SPW33 | 37 |
| 160 | 220 | 60 | NUU 4932 SPW33 | 37 |

| Dimension (mm) Dimensioni (mm) | | | Designation Sigla | Fig. |
|-----------------------------------|-----|-----|--------------------------|------|
| d | D | B | | |
| 160 | 220 | 72 | 234932 | 57 |
| 160 | 220 | 80 | SL04160-PP | 39 |
| 160 | 225 | 51 | 51232 M | 51 |
| 160 | 230 | 130 | FC 3246130 | 40 |
| 160 | 240 | 25 | 16032 | 4 |
| 160 | 240 | 38 | 6032 M | 4 |
| 160 | 240 | 38 | 6032-Z | 5 |
| 160 | 240 | 38 | 6032-ZZ | 6 |
| 160 | 240 | 38 | 6032-2RS | 7 |
| 160 | 240 | 38 | 6032-RS | 8 |
| 160 | 240 | 38 | QJ 1032 | 22 |
| 160 | 240 | 38 | NU 1032 | 32 |
| 160 | 240 | 51 | 32032 | 43 |
| 160 | 240 | 60 | NN 3032 K/SPW33 | 38 |
| 160 | 240 | 60 | NN 3032/SPW33 | 38 |
| 160 | 240 | 60 | 23032 | 45 |
| 160 | 240 | 60 | 23032 K | 46 |
| 160 | 240 | 80 | 24032 | 45 |
| 160 | 240 | 80 | 24032 K30 | 46 |
| 160 | 240 | 80 | 24032-2RS | 47 |
| 160 | 240 | 96 | 234432 | 57 |
| 160 | 240 | 102 | 32032 X/DF | 44 |
| 160 | 240 | 109 | SL045032-PP | 39 |
| 160 | 240 | 124 | FC 3248124 | 40 |
| 160 | 240 | 168 | FC 3248168 | 40 |
| 160 | 270 | 67 | 29332 M | 58 |
| 160 | 270 | 86 | 23132 | 45 |
| 160 | 270 | 86 | 23132 K | 46 |
| 160 | 270 | 86 | 23132-2RS | 47 |
| 160 | 270 | 87 | 51332 M | 51 |
| 160 | 270 | 109 | NUU 4132 K30M/W33 | 37 |
| 160 | 270 | 109 | NUU 4132 M/W33 | 37 |
| 160 | 270 | 109 | 24132 | 45 |
| 160 | 270 | 109 | 24132 K30 | 46 |
| 160 | 290 | 48 | 6232 | 4 |
| 160 | 290 | 48 | 7232 B | 17 |
| 160 | 290 | 48 | QJ 232 N2M | 22 |
| 160 | 290 | 48 | NU 232 | 32 |
| 160 | 290 | 48 | NJ 232 | 33 |
| 160 | 290 | 48 | NUP 232 | 34 |
| 160 | 290 | 48 | N 232 | 35 |
| 160 | 290 | 52 | 30232 | 43 |
| 160 | 290 | 80 | NU 2232 | 32 |
| 160 | 290 | 80 | NJ 2232 | 33 |
| 160 | 290 | 80 | 22232 | 45 |
| 160 | 290 | 80 | 22232 K | 46 |
| 160 | 290 | 84 | 32232 | 43 |
| 160 | 290 | 104 | 30232 J/DF | 44 |
| 160 | 290 | 104 | 23232 | 45 |
| 160 | 290 | 104 | 23232 K | 46 |
| 160 | 290 | 168 | 32232 J/DF | 44 |
| 160 | 320 | 95 | 29432 M | 58 |
| 160 | 340 | 68 | 6332 M | 4 |
| 160 | 340 | 68 | QJ 332 N2 M | 22 |
| 160 | 340 | 68 | NU 332 | 32 |
| 160 | 340 | 68 | NJ 332 | 33 |

| Dimension (mm) Dimensioni (mm) | | | Designation Sigla | Fig. |
|-----------------------------------|-------|-----|--------------------------|------|
| d | D | B | | |
| 160 | 340 | 75 | 30332 | 43 |
| 160 | 340 | 114 | NU 2332 | 32 |
| 160 | 340 | 114 | NJ 2332 | 33 |
| 160 | 340 | 114 | 22332 | 45 |
| 160 | 340 | 114 | 22332 K | 46 |
| 160 | 340 | 114 | 22332 VA | 49 |
| 160 | 340 | 114 | 22332 KVA | 50 |
| 164 | 17 | | HJ 226 | 36 |
| 164 | 21 | | HJ 2226 | 36 |
| 165 | 220 | 22 | U 324 | 53 |
| 168 | 22,50 | | HJ 324 | 36 |
| 168 | 26 | | HJ 2324 | 36 |
| 170 | 182 | 240 | 350980 C | 59 |
| 170 | 210 | 17 | U 228 | 53 |
| 170 | 215 | 22 | 61834 | 4 |
| 170 | 215 | 34 | 51134 M | 51 |
| 170 | 230 | 28 | 61934 MA | 4 |
| 170 | 230 | 38 | 32934 | 43 |
| 170 | 230 | 60 | NNU 4934 K/SPW33 | 37 |
| 170 | 230 | 60 | NNU 4934 SPW33 | 37 |
| 170 | 230 | 72 | 234934 | 57 |
| 170 | 230 | 76 | 32934/DFC225 | 44 |
| 170 | 230 | 160 | FCD 3446160 | 41 |
| 170 | 240 | 55 | 51234 M | 51 |
| 170 | 250 | 170 | FC 3450170 | 40 |
| 170 | 260 | 28 | 16034 | 4 |
| 170 | 260 | 42 | 6034 M | 4 |
| 170 | 260 | 42 | 7034 B | 17 |
| 170 | 260 | 42 | QJ 1034 | 22 |
| 170 | 260 | 42 | NU 1034 | 32 |
| 170 | 260 | 57 | 32034 | 43 |
| 170 | 260 | 67 | NN 3034 K/SPW33 | 38 |
| 170 | 260 | 67 | NN 3034/SPW33 | 38 |
| 170 | 260 | 67 | 23034 | 45 |
| 170 | 260 | 67 | 23034 K | 46 |
| 170 | 260 | 90 | 24034 | 45 |
| 170 | 260 | 90 | 24034 K30 | 46 |
| 170 | 260 | 90 | 24034-2RS | 47 |
| 170 | 260 | 108 | 234434 | 57 |
| 170 | 260 | 114 | 32034 X/DF | 44 |
| 170 | 260 | 120 | FC 3452120 | 40 |
| 170 | 260 | 150 | FC 3452150 | 40 |
| 170 | 280 | 67 | 29334 M | 58 |
| 170 | 280 | 87 | 51334 M | 51 |
| 170 | 280 | 88 | 23134 | 45 |
| 170 | 280 | 88 | 23134 K | 46 |
| 170 | 280 | 109 | NNU 4134 K30M/W33 | 37 |
| 170 | 280 | 109 | NNU 4134 M/W33 | 37 |
| 170 | 280 | 109 | 24134 | 45 |
| 170 | 280 | 109 | 24134 K30 | 46 |
| 170 | 280 | 109 | 24134-2RS | 47 |
| 170 | 310 | 52 | 6234 M | 4 |
| 170 | 310 | 52 | 7234 B | 17 |
| 170 | 310 | 52 | QJ 234 N2 M | 22 |
| 170 | 310 | 52 | NU 234 | 32 |
| 170 | 310 | 52 | NJ 234 | 33 |

| Dimension (mm) Dimensioni (mm) | | | Designation Sigla | Fig. |
|-----------------------------------|---------|--------|-------------------------|------|
| d | D | B | | |
| 170 | 310 | 52 | NUP 234 | 34 |
| 170 | 310 | 57 | 30234 | 43 |
| 170 | 310 | 86 | NU 2234 | 32 |
| 170 | 310 | 86 | 22234 | 45 |
| 170 | 310 | 86 | 22234 K | 46 |
| 170 | 310 | 91 | 32234 | 43 |
| 170 | 310 | 110 | 23234 | 45 |
| 170 | 310 | 110 | 23234 K | 46 |
| 170 | 310 | 182 | 32234 J/DF | 44 |
| 170 | 340 | 103 | 29434 M | 58 |
| 170 | 360 | 72 | 6334 M | 4 |
| 170 | 360 | 72 | 7334 B | 17 |
| 170 | 360 | 72 | QJ 334 N2 M | 22 |
| 170 | 360 | 72 | NU 334 | 32 |
| 170 | 360 | 72 | N 334 | 35 |
| 170 | 360 | 80 | 30334 | 43 |
| 170 | 360 | 120 | NU 2334 | 32 |
| 170 | 360 | 120 | NJ 2334 | 33 |
| 170 | 360 | 120 | 22334 | 45 |
| 170 | 360 | 120 | 22334 K | 46 |
| 170 | 360 | 120 | 22334 VA | 49 |
| 170 | 360 | 120 | 22334 KVA | 50 |
| 171 | 29,50 | | HJ 422 | 36 |
| 177,80 | 227,012 | 30,162 | 36990/36920 | 43 |
| 179 | 18 | | HJ 228 | 36 |
| 179 | 23 | | HJ 2228 | 36 |
| 180 | 192 | 280 | 353162 | 59 |
| 180 | 225 | 22 | 61836 | 4 |
| 180 | 225 | 34 | 51136 M | 51 |
| 180 | 250 | 33 | 61936 MA | 4 |
| 180 | 250 | 42 | 29236 M | 58 |
| 180 | 250 | 45 | 32936 | 43 |
| 180 | 250 | 52 | 23936 | 45 |
| 180 | 250 | 52 | 23936 K | 46 |
| 180 | 250 | 56 | 51236 M | 51 |
| 180 | 250 | 69 | NNU 4936 K/SPW33 | 37 |
| 180 | 250 | 69 | NNU 4936 SPW33 | 37 |
| 180 | 250 | 84 | 234936 | 57 |
| 180 | 250 | 90 | 32936/DF | 44 |
| 180 | 260 | 124 | FC 3652124 | 40 |
| 180 | 260 | 168 | FC 3652168 | 40 |
| 180 | 260 | 180 | FC 3652180 | 40 |
| 180 | 280 | 31 | 16036 | 4 |
| 180 | 280 | 46 | 6036 M | 4 |
| 180 | 280 | 46 | 7036 B | 17 |
| 180 | 280 | 46 | QJ 1036 | 22 |
| 180 | 280 | 46 | NU 1036 | 32 |
| 180 | 280 | 64 | 32036 | 43 |
| 180 | 280 | 74 | 1336 | 23 |
| 180 | 280 | 74 | N3036K/3424 | 37 |
| 180 | 280 | 74 | NN 3036 K/SPW33 | 38 |
| 180 | 280 | 74 | NN 3036/SPW33 | 38 |
| 180 | 280 | 74 | 23036 | 45 |
| 180 | 280 | 74 | 23036 K | 46 |
| 180 | 280 | 100 | 24036 | 45 |
| 180 | 280 | 100 | 24036 K30 | 46 |

| Dimension (mm) Dimensioni (mm) | | | Designation Sigla | Fig. |
|-----------------------------------|-------|-----|--------------------------|------|
| d | D | B | | |
| 180 | 280 | 100 | 24036-2RS | 47 |
| 180 | 280 | 120 | 234436 | 57 |
| 180 | 280 | 128 | 32036 X/DF | 44 |
| 180 | 300 | 73 | 29336 M | 58 |
| 180 | 300 | 95 | 51336 M | 51 |
| 180 | 300 | 96 | 23136 | 45 |
| 180 | 300 | 96 | 23136 K | 46 |
| 180 | 300 | 118 | NNU 4136 K30M/W33 | 37 |
| 180 | 300 | 118 | NNU 4136 M/W33 | 37 |
| 180 | 300 | 118 | 24136 | 45 |
| 180 | 300 | 118 | 24136 K30 | 46 |
| 180 | 320 | 52 | 6236 M | 4 |
| 180 | 320 | 52 | 7236 B | 17 |
| 180 | 320 | 52 | QJ 236 N2 M | 22 |
| 180 | 320 | 52 | NU 236 | 32 |
| 180 | 320 | 52 | NJ 236 | 33 |
| 180 | 320 | 52 | NUP 236 | 34 |
| 180 | 320 | 57 | 30236 | 43 |
| 180 | 320 | 86 | NU 2236 | 32 |
| 180 | 320 | 86 | NJ 2236 | 33 |
| 180 | 320 | 86 | 22236 | 45 |
| 180 | 320 | 86 | 22236 K | 46 |
| 180 | 320 | 91 | 32236 | 43 |
| 180 | 320 | 112 | 23236 | 45 |
| 180 | 320 | 112 | 23236 K | 46 |
| 180 | 320 | 114 | 30236 J/DF | 44 |
| 180 | 320 | 182 | 32236 J/DF | 44 |
| 180 | 360 | 109 | 29436 M | 58 |
| 180 | 360 | 140 | 51436 | 51 |
| 180 | 380 | 75 | 6336 M | 4 |
| 180 | 380 | 75 | 7336 B | 17 |
| 180 | 380 | 75 | QJ 336 N2 M | 22 |
| 180 | 380 | 75 | NU 336 | 32 |
| 180 | 380 | 126 | NU 2336 | 32 |
| 180 | 380 | 126 | 22336 | 45 |
| 180 | 380 | 126 | 22336 K | 46 |
| 180 | 380 | 126 | 22336 VA | 49 |
| 180 | 380 | 126 | 22336 KVA | 50 |
| 181 | 23 | | HJ 326 | 36 |
| 181 | 28 | | HJ 2326 | 36 |
| 188 | 19 | | HJ 1032 | 36 |
| 188 | 30,50 | | HJ 424 | 36 |
| 190 | 240 | 24 | 61838 | 4 |
| 190 | 240 | 37 | 51138 M | 51 |
| 190 | 260 | 33 | 61938 MA | 4 |
| 190 | 260 | 45 | 32938 | 43 |
| 190 | 260 | 52 | 23938 | 45 |
| 190 | 260 | 52 | 23938 K | 46 |
| 190 | 260 | 69 | NNU 4938 K/SPW33 | 37 |
| 190 | 260 | 69 | NNU 4938 SPW33 | 37 |
| 190 | 260 | 84 | 234938 | 57 |
| 190 | 260 | 90 | 32938/DF | 44 |
| 190 | 270 | 62 | 51238 M | 51 |
| 190 | 270 | 168 | FC 3854168 | 40 |
| 190 | 270 | 170 | FC 3854170 | 40 |
| 190 | 270 | 200 | FC 3854200 | 40 |

| Dimension (mm) Dimensioni (mm) | | | Designation Sigla | Fig. |
|-----------------------------------|--------|--------|--------------------------|------|
| d | D | B | | |
| 190 | 290 | 31 | 16038 | 4 |
| 190 | 290 | 46 | 6038 M | 4 |
| 190 | 290 | 46 | 7038 B | 17 |
| 190 | 290 | 46 | QJ 1038 | 22 |
| 190 | 290 | 46 | NU 1038 | 32 |
| 190 | 290 | 64 | 32038 | 43 |
| 190 | 290 | 75 | N3038K342460 | 37 |
| 190 | 290 | 75 | NN 3038 K/SPW33 | 38 |
| 190 | 290 | 75 | NN 3038/SPW33 | 38 |
| 190 | 290 | 75 | 23038 | 45 |
| 190 | 290 | 75 | 23038 K | 46 |
| 190 | 290 | 100 | 24038 | 45 |
| 190 | 290 | 100 | 24038 K30 | 46 |
| 190 | 290 | 120 | 234438 | 57 |
| 190 | 290 | 128 | 32038 X/DF | 44 |
| 190 | 320 | 78 | 29338 M | 58 |
| 190 | 320 | 104 | 23138 | 45 |
| 190 | 320 | 104 | 23138 K | 46 |
| 190 | 320 | 105 | 51338 M | 51 |
| 190 | 320 | 128 | NNU 4138 K30M/W33 | 37 |
| 190 | 320 | 128 | NNU 4138 M/W33 | 37 |
| 190 | 320 | 128 | 24138 | 45 |
| 190 | 320 | 128 | 24138 K30 | 46 |
| 190 | 320 | 128 | 24138-2RS | 47 |
| 190 | 340 | 55 | 6238 M | 4 |
| 190 | 340 | 55 | 7238 B | 17 |
| 190 | 340 | 55 | NU 238 | 32 |
| 190 | 340 | 55 | NJ 238 | 33 |
| 190 | 340 | 55 | NUP 238 | 34 |
| 190 | 340 | 60 | 30238 | 43 |
| 190 | 340 | 92 | NU 2238 | 32 |
| 190 | 340 | 92 | 22238 | 45 |
| 190 | 340 | 92 | 22238 K | 46 |
| 190 | 340 | 120 | 30238 J/DFC700 | 44 |
| 190 | 340 | 120 | 23238 | 45 |
| 190 | 340 | 120 | 23238 K | 46 |
| 190 | 380 | 115 | 29438 M | 58 |
| 190 | 400 | 78 | 6338 M | 4 |
| 190 | 400 | 78 | 7338 B | 17 |
| 190 | 400 | 78 | QJ 338 N2 M | 22 |
| 190 | 400 | 78 | NU 338 | 32 |
| 190 | 400 | 132 | NU 2338 | 32 |
| 190 | 400 | 132 | 22338 | 45 |
| 190 | 400 | 132 | 22338 K | 46 |
| 190 | 400 | 132 | 22338 VA | 49 |
| 190 | 400 | 132 | 22338 KVA | 50 |
| 191,237 | 279,40 | 52,388 | M 239448 A/410 | 43 |
| 193 | 19,50 | | HJ 230 | 36 |
| 194 | 24,50 | | HJ 2230 | 36 |
| 195 | 25 | | HJ 328 | 36 |
| 195 | 31 | | HJ 2328 | 36 |
| 196,85 | 241,30 | 23,812 | LL 639249/210 | 43 |
| 200 | 60 | 98 | NU 2240 | 32 |
| 200 | 60 | 98 | 22240 K | 46 |
| 200 | 250 | 24 | 61840 | 4 |
| 200 | 250 | 37 | 51140 M | 51 |

| Dimension (mm) Dimensioni (mm) | | | Designation Sigla | Fig. |
|-----------------------------------|-----|-----|--------------------------|------|
| d | D | B | | |
| 200 | 250 | 50 | NUU 4840 K/W33 | 37 |
| 200 | 250 | 50 | NUU 4840/W33 | 37 |
| 200 | 270 | 170 | FC 4054170 | 40 |
| 200 | 280 | 38 | 61940 MA | 4 |
| 200 | 280 | 48 | 29240 M | 58 |
| 200 | 280 | 51 | 32940 | 43 |
| 200 | 280 | 60 | 1340 | 23 |
| 200 | 280 | 60 | 23940 | 45 |
| 200 | 280 | 60 | 23940 K | 46 |
| 200 | 280 | 62 | 51240 M | 51 |
| 200 | 280 | 80 | NUU 4940 K/SPW33 | 37 |
| 200 | 280 | 80 | NUU 4940 SPW33 | 37 |
| 200 | 280 | 96 | 234940 | 57 |
| 200 | 280 | 188 | FC 4056188 | 40 |
| 200 | 290 | 192 | FC 4058192 | 40 |
| 200 | 300 | 102 | 32944/DFC300 | 44 |
| 200 | 310 | 34 | 16040 | 4 |
| 200 | 310 | 51 | 6040 M | 4 |
| 200 | 310 | 51 | 7040 B | 17 |
| 200 | 310 | 51 | QJ 1040 | 22 |
| 200 | 310 | 51 | NU 1040 | 32 |
| 200 | 310 | 70 | 32040 | 43 |
| 200 | 310 | 82 | N3040K/342460 | 37 |
| 200 | 310 | 82 | NN 3040 K/SPW33 | 38 |
| 200 | 310 | 82 | NN 3040/SPW33 | 38 |
| 200 | 310 | 82 | 23040 | 45 |
| 200 | 310 | 82 | 23040 K | 46 |
| 200 | 310 | 109 | 24040 | 45 |
| 200 | 310 | 109 | 24040 K30 | 46 |
| 200 | 310 | 132 | 234440 | 57 |
| 200 | 310 | 140 | 32040 X/DF | 44 |
| 200 | 340 | 85 | 29340 M | 58 |
| 200 | 340 | 110 | 51340 M | 51 |
| 200 | 340 | 112 | 23140 | 45 |
| 200 | 340 | 112 | 23140 K | 46 |
| 200 | 340 | 140 | NUU 4140 K30M/W33 | 37 |
| 200 | 340 | 140 | NUU 4140 M/W33 | 37 |
| 200 | 340 | 140 | 24140 | 45 |
| 200 | 340 | 140 | 24140 K30 | 46 |
| 200 | 340 | 140 | 24140-2RS | 47 |
| 200 | 340 | 144 | 234444 | 57 |
| 200 | 340 | 152 | 32044 X/DF | 44 |
| 200 | 360 | 58 | 6240 M | 4 |
| 200 | 360 | 58 | QJ 240 N2 M | 22 |
| 200 | 360 | 58 | NU 240 | 32 |
| 200 | 360 | 58 | NJ 240 | 33 |
| 200 | 360 | 58 | NUP 240 | 34 |
| 200 | 360 | 64 | 30240 | 43 |
| 200 | 360 | 98 | 22240 | 45 |
| 200 | 360 | 104 | 32240 | 43 |
| 200 | 360 | 128 | 30240J/DFC570 | 44 |
| 200 | 360 | 128 | 23240 | 45 |
| 200 | 360 | 128 | 23240 K | 46 |
| 200 | 360 | 128 | 23240-2RS | 47 |
| 200 | 360 | 208 | 32240J/DF | 44 |
| 200 | 400 | 122 | 29440 M | 58 |

| Dimension (mm) Dimensioni (mm) | | | Designation Sigla | Fig. |
|-----------------------------------|--------|--------|--------------------------|------|
| d | D | B | | |
| 200 | 420 | 80 | NU 340 | 32 |
| 200 | 420 | 138 | NU 2340 | 32 |
| 200 | 420 | 138 | NJ 2340 | 33 |
| 200 | 420 | 138 | 22340 | 45 |
| 200 | 420 | 138 | 22340 K | 46 |
| 200 | 420 | 138 | 22340 VA | 49 |
| 200 | 420 | 138 | 22340 KVA | 50 |
| 201 | 21 | | HJ 1034 | 36 |
| 205 | 24,50 | | HJ 2232 | 36 |
| 206 | 20 | | HJ 232 | 36 |
| 209 | 25 | | HJ 330 | 36 |
| 210 | 300 | 170 | FC 4260170 | 40 |
| 210 | 300 | 210 | FC 4260210 | 40 |
| 215 | 22,50 | | HJ 1036 | 36 |
| 216,408 | 285,75 | 46,038 | LM 742747/710 | 43 |
| 220 | 20 | | HJ 234 | 36 |
| 220 | 24 | | HJ 2234 | 36 |
| 220 | 231 | 300 | 351019 C | 59 |
| 220 | 270 | 24 | 61844 | 4 |
| 220 | 270 | 37 | 51144 M | 51 |
| 220 | 300 | 38 | 61944 MA | 4 |
| 220 | 300 | 48 | 29244 M | 58 |
| 220 | 300 | 51 | 32944 | 43 |
| 220 | 300 | 60 | 1344 | 23 |
| 220 | 300 | 60 | 23944 | 45 |
| 220 | 300 | 60 | 23944 K | 46 |
| 220 | 300 | 60 | 23944-2RS | 47 |
| 220 | 300 | 63 | 51244 M | 51 |
| 220 | 300 | 80 | NUU 4944 K/SPW33 | 37 |
| 220 | 300 | 80 | NUU 4944 SPW33 | 37 |
| 220 | 300 | 96 | 234944 | 57 |
| 220 | 310 | 192 | FC 4462192 | 40 |
| 220 | 310 | 225 | FC 4462225 | 40 |
| 220 | 320 | 210 | FCD 4464210 | 41 |
| 220 | 340 | 37 | 16044 | 4 |
| 220 | 340 | 37 | 6044 M | 4 |
| 220 | 340 | 56 | 7044 B | 17 |
| 220 | 340 | 56 | QJ 1044 | 22 |
| 220 | 340 | 56 | NU 1044 | 32 |
| 220 | 340 | 76 | 32044 | 43 |
| 220 | 340 | 90 | N3044K/342460 | 37 |
| 220 | 340 | 90 | NN 3044 K/SPW33 | 38 |
| 220 | 340 | 90 | NN 3044/SPW33 | 38 |
| 220 | 340 | 90 | 23044 | 45 |
| 220 | 340 | 90 | 23044 K | 46 |
| 220 | 340 | 118 | 24044 | 45 |
| 220 | 340 | 118 | 24044 K30 | 46 |
| 220 | 360 | 85 | 29344 M | 58 |
| 220 | 360 | 144 | 234448 | 57 |
| 220 | 370 | 120 | 23144 | 45 |
| 220 | 370 | 120 | 23144 K | 46 |
| 220 | 370 | 150 | NUU 4144 K30M/W33 | 37 |
| 220 | 370 | 150 | NUU 4144 M/W33 | 37 |
| 220 | 370 | 150 | 24144 | 45 |
| 220 | 370 | 150 | 24144 K30 | 46 |
| 220 | 400 | 65 | 6244 M | 4 |

| Dimension (mm) Dimensioni (mm) | | | Designation Sigla | Fig. |
|-----------------------------------|--------|--------|-------------------------|------|
| d | D | B | | |
| 220 | 400 | 65 | 7244 B | 17 |
| 220 | 400 | 65 | NU 244 | 32 |
| 220 | 400 | 65 | NJ 244 | 33 |
| 220 | 400 | 65 | NUP 244 | 34 |
| 220 | 400 | 72 | 30244 | 43 |
| 220 | 400 | 78 | QJ 1244 | 22 |
| 220 | 400 | 108 | NU 2244 | 32 |
| 220 | 400 | 108 | 22244 | 45 |
| 220 | 400 | 108 | 22244 K | 46 |
| 220 | 400 | 114 | 32244 | 43 |
| 220 | 400 | 144 | 23244 | 45 |
| 220 | 400 | 144 | 23244 K | 46 |
| 220 | 420 | 122 | 29444 M | 58 |
| 220 | 460 | 88 | 6344 M | 4 |
| 220 | 460 | 88 | QJ 344 N2 | 22 |
| 220 | 460 | 88 | NU 344 | 32 |
| 220 | 460 | 88 | NJ 344 | 33 |
| 220 | 460 | 145 | NU 2344 | 32 |
| 220 | 460 | 145 | 22344 | 45 |
| 220 | 460 | 145 | 22344 K | 46 |
| 220 | 460 | 145 | 22344 VA | 49 |
| 220 | 460 | 145 | 22344 KVA | 50 |
| 221 | 25 | | HJ 332 | 36 |
| 225 | 22,50 | | HJ 1038 | 36 |
| 229 | 24 | | HJ 2236 | 36 |
| 230 | 20 | | HJ 236 | 36 |
| 230 | 330 | 206 | FC 4666206 | 40 |
| 230 | 340 | 260 | FC 4668260 | 40 |
| 230,188 | 317,50 | 47,625 | LM 245846/810 | 43 |
| 231,775 | 317,50 | 47,625 | LM 245848/810 | 43 |
| 239 | 25,50 | | HJ 1040 | 36 |
| 240 | 251 | 320 | 351182C | 59 |
| 240 | 300 | 28 | 61848 | 4 |
| 240 | 300 | 45 | 51148 M | 51 |
| 240 | 300 | 60 | NNU 4848 K/W33 | 37 |
| 240 | 300 | 60 | NNU 4848/W33 | 37 |
| 240 | 320 | 38 | 61948 MA | 4 |
| 240 | 320 | 51 | 32948 | 43 |
| 240 | 320 | 60 | 1348 | 23 |
| 240 | 320 | 60 | 23948 | 45 |
| 240 | 320 | 60 | 23948 K | 46 |
| 240 | 320 | 80 | NNU 4948 K/SPW33 | 37 |
| 240 | 320 | 80 | NNU 4948 SPW33 | 37 |
| 240 | 320 | 96 | 234948 | 57 |
| 240 | 330 | 220 | FC 4866220 | 40 |
| 240 | 340 | 60 | 29248 M | 58 |
| 240 | 340 | 78 | 51248 M | 51 |
| 240 | 360 | 37 | 16048 MA | 4 |
| 240 | 360 | 56 | 6048 M | 4 |
| 240 | 360 | 56 | 7048 B | 17 |
| 240 | 360 | 56 | QJ 1048 | 22 |
| 240 | 360 | 56 | NU 1048 | 32 |
| 240 | 360 | 76 | 32048 | 43 |
| 240 | 360 | 92 | N3048K/342460 | 37 |
| 240 | 360 | 92 | NN 3048 K/SPW33 | 38 |
| 240 | 360 | 92 | NN 3048/SPW33 | 38 |

| Dimension (mm) Dimensioni (mm) | | | Designation Sigla | Fig. |
|-----------------------------------|---------|--------|--------------------------|------|
| d | D | B | | |
| 240 | 360 | 92 | 23048 | 45 |
| 240 | 360 | 92 | 23048 K | 46 |
| 240 | 360 | 118 | 24048 | 45 |
| 240 | 360 | 118 | 24048 K30 | 46 |
| 240 | 360 | 152 | 32048 X/DF | 44 |
| 240 | 360 | 200 | FC 4872220 | 40 |
| 240 | 380 | 85 | 29348 M | 58 |
| 240 | 400 | 128 | 23148 | 45 |
| 240 | 400 | 128 | 23148 K | 46 |
| 240 | 400 | 160 | NNU 4148 K30M/W33 | 37 |
| 240 | 400 | 160 | NNU 4148 M/W33 | 37 |
| 240 | 400 | 160 | 24148 | 45 |
| 240 | 400 | 160 | 24148 K30 | 46 |
| 240 | 420 | 164 | 234456 | 57 |
| 240 | 440 | 72 | 6248 M | 4 |
| 240 | 440 | 72 | 7248 B | 17 |
| 240 | 440 | 72 | QJ 248 N2 | 22 |
| 240 | 440 | 72 | NU 248 | 32 |
| 240 | 440 | 72 | NJ 248 | 33 |
| 240 | 440 | 72 | NUP 248 | 34 |
| 240 | 440 | 85 | QJ 1248 | 22 |
| 240 | 440 | 120 | NU 2248 | 32 |
| 240 | 440 | 120 | NJ 2248 | 33 |
| 240 | 440 | 120 | 22248 | 45 |
| 240 | 440 | 120 | 22248 K | 46 |
| 240 | 440 | 122 | 29448 M | 58 |
| 240 | 440 | 127 | 32248 | 43 |
| 240 | 440 | 160 | 23248 | 45 |
| 240 | 440 | 160 | 23248 K | 46 |
| 240 | 500 | 95 | 6348 M | 4 |
| 240 | 500 | 95 | NU 348 | 32 |
| 240 | 500 | 95 | NJ 348 | 33 |
| 240 | 500 | 155 | NU 2348 | 32 |
| 240 | 500 | 155 | 22348 | 45 |
| 240 | 500 | 155 | 22348 K | 46 |
| 240 | 500 | 155 | 22348 VA | 49 |
| 240 | 500 | 155 | 22348 KVA | 50 |
| 244 | 21,50 | | HJ 238 | 36 |
| 250 | 265 | 380 | 353005 | 59 |
| 250 | 350 | 220 | FC 5070220 | 40 |
| 255,60 | 342,90 | 57,15 | M 349547/510 | 43 |
| 257,175 | 358,775 | 71,438 | M 249747/710 | 43 |
| 258 | 23 | | HJ 240 | 36 |
| 260 | 276 | 360 | 350981 C | 59 |
| 260 | 320 | 28 | 61852 | 4 |
| 260 | 320 | 45 | 51152 M | 51 |
| 260 | 360 | 46 | 61952 MA | 4 |
| 260 | 360 | 46 | 71952 A | 17 |
| 260 | 360 | 46 | QJ 1952 N2 | 22 |
| 260 | 360 | 60 | 29252 M | 58 |
| 260 | 360 | 75 | 23952 | 45 |
| 260 | 360 | 75 | 23952 K | 46 |
| 260 | 360 | 79 | 51252M | 51 |
| 260 | 360 | 100 | NNU 4952 K/SPW33 | 37 |
| 260 | 360 | 100 | NNU 4952 SPW33 | 37 |
| 260 | 370 | 200 | FC 5274200 | 40 |

| Dimension (mm) Dimensioni (mm) | | | Designation Sigla | Fig. |
|-----------------------------------|---------|--------|----------------------------|------|
| d | D | B | | |
| 260 | 370 | 220 | FC 5274220 | 40 |
| 260 | 370 | 220 | FC 5274220A | 40 |
| 260 | 400 | 44 | 16052 MA | 4 |
| 260 | 400 | 65 | 6052 M | 4 |
| 260 | 400 | 65 | NU 1052 | 32 |
| 260 | 400 | 87 | 32052 | 43 |
| 260 | 400 | 104 | N3052K/342460 | 37 |
| 260 | 400 | 104 | NN 3052 K/SPW33 | 38 |
| 260 | 400 | 104 | NN 3052/SPW33 | 38 |
| 260 | 400 | 104 | 23052 | 45 |
| 260 | 400 | 104 | 23052 K | 46 |
| 260 | 400 | 140 | NNU 4052 KM/W33 | 37 |
| 260 | 400 | 140 | NNU 4052 M/W33 | 37 |
| 260 | 400 | 140 | 24052 | 45 |
| 260 | 400 | 140 | 24052 K30 | 46 |
| 260 | 400 | 145 | FCD 5280290 | 41 |
| 260 | 400 | 174 | 32052 X/DF | 44 |
| 260 | 420 | 95 | 29352 M | 58 |
| 260 | 440 | 144 | 23152 | 45 |
| 260 | 440 | 144 | 23152 K | 46 |
| 260 | 440 | 180 | NNU 4152 K30M/W33 | 37 |
| 260 | 440 | 180 | NNU 4152 M/W33 | 37 |
| 260 | 440 | 180 | 24152 | 45 |
| 260 | 440 | 180 | 24152 K30 | 46 |
| 260 | 480 | 80 | 6252 M | 4 |
| 260 | 480 | 80 | NU 252 | 32 |
| 260 | 480 | 80 | NJ 252 | 33 |
| 260 | 480 | 80 | NUP 252 | 34 |
| 260 | 480 | 90 | QJ 1252 | 22 |
| 260 | 480 | 130 | NU 2252 | 32 |
| 260 | 480 | 130 | NJ 2252 | 33 |
| 260 | 480 | 130 | 22252 | 45 |
| 260 | 480 | 130 | 22252 K | 46 |
| 260 | 480 | 132 | 29452 M | 58 |
| 260 | 480 | 137 | 32252 | 43 |
| 260 | 480 | 174 | 23252 | 45 |
| 260 | 480 | 174 | 23252 K | 46 |
| 260 | 480 | 175 | 51452 | 51 |
| 260 | 540 | 102 | 6352 M | 4 |
| 260 | 540 | 102 | NU 352 | 32 |
| 260 | 540 | 113 | 30352 | 43 |
| 260 | 540 | 165 | 22352 | 45 |
| 260 | 540 | 165 | 22352 K | 46 |
| 262 | 27 | | HJ 1044 | 36 |
| 263,525 | 325,438 | 28,575 | 38880/38820 | 43 |
| 264 | 29 | | HJ 338 | 36 |
| 266,70 | 355,60 | 57,15 | KLM451349/KLM451310 | 43 |
| 266,70 | 393,70 | 73,817 | KEE275105/K275155 | 43 |
| 270 | 300 | 450 | 351164C | 59 |
| 270 | 380 | 230 | FC 5476230 | 40 |
| 273,05 | 393,70 | 73,817 | KEE275108/K275155 | 43 |
| 280 | 350 | 33 | 61856 | 4 |
| 280 | 350 | 53 | 51156 M | 51 |
| 280 | 350 | 69 | NNU 4856 K/W33 | 37 |
| 280 | 350 | 69 | NNU 4856/W33 | 37 |
| 280 | 380 | 46 | 61956 MA | 4 |

| Dimension (mm) Dimensioni (mm) | | | Designation Sigla | Fig. |
|-----------------------------------|--------|--------|--------------------------|------|
| d | D | B | | |
| 280 | 380 | 46 | 71956 A | 17 |
| 280 | 380 | 60 | 29256 M | 58 |
| 280 | 380 | 63,50 | 32956 | 43 |
| 280 | 380 | 75 | 23956 | 45 |
| 280 | 380 | 75 | 23956 K | 46 |
| 280 | 380 | 80 | 51256 M | 51 |
| 280 | 380 | 100 | NNU 4956 K/SPW33 | 37 |
| 280 | 380 | 100 | NNU 4956 SPW33 | 37 |
| 280 | 380 | 120 | 234956 | 57 |
| 280 | 390 | 220 | FC 5678220 | 40 |
| 280 | 390 | 240 | FC 5678240 | 40 |
| 280 | 420 | 44 | 16056 MA | 4 |
| 280 | 420 | 65 | 6056 M | 4 |
| 280 | 420 | 65 | 7056 A | 17 |
| 280 | 420 | 65 | 7056 B | 17 |
| 280 | 420 | 65 | QJ 1056 | 22 |
| 280 | 420 | 65 | NU 1056 | 32 |
| 280 | 420 | 87 | 32056 | 43 |
| 280 | 420 | 106 | NN 3056 K/SPW33 | 38 |
| 280 | 420 | 106 | NN 3056/SPW33 | 38 |
| 280 | 420 | 106 | 23056 | 45 |
| 280 | 420 | 106 | 23056 K | 46 |
| 280 | 420 | 140 | NNU 4056 KM/W33 | 37 |
| 280 | 420 | 140 | NNU 4056 M/W33 | 37 |
| 280 | 420 | 140 | 24056 | 45 |
| 280 | 420 | 140 | 24056 K30 | 46 |
| 280 | 420 | 174 | 32056 X/DF | 44 |
| 280 | 420 | 280 | FC 5684280 | 40 |
| 280 | 440 | 95 | 29356 M | 58 |
| 280 | 460 | 146 | 23156 | 45 |
| 280 | 460 | 146 | 23156 K | 46 |
| 280 | 460 | 180 | NNU 4156 K30M/W33 | 37 |
| 280 | 460 | 180 | NNU 4156 M/W33 | 37 |
| 280 | 460 | 180 | 24156 | 45 |
| 280 | 460 | 180 | 24156 K30 | 46 |
| 280 | 500 | 80 | 6256 M | 4 |
| 280 | 500 | 80 | 7256 B | 17 |
| 280 | 500 | 80 | NU 256 | 32 |
| 280 | 500 | 80 | NJ 256 | 33 |
| 280 | 500 | 130 | NU 2256 | 32 |
| 280 | 500 | 130 | 22256 | 45 |
| 280 | 500 | 130 | 22256 K | 46 |
| 280 | 500 | 176 | 23256 | 45 |
| 280 | 500 | 176 | 23256 K | 46 |
| 280 | 520 | 145 | 29456 M | 58 |
| 280 | 580 | 175 | NU 2356 | 32 |
| 280 | 580 | 175 | 22356 | 45 |
| 280 | 580 | 175 | 22356 K | 46 |
| 282 | 27 | | HJ 1048 | 36 |
| 284 | 25 | | HJ 244 | 36 |
| 288,925 | 406,40 | 77,788 | M255449/M255410 | 43 |
| 292,10 | 374,65 | 47,625 | L555249/L555210 | 43 |
| 300 | 380 | 38 | 61860 MA | 4 |
| 300 | 380 | 62 | 51160 M | 51 |
| 300 | 380 | 80 | NNU 4860 K/W33 | 37 |
| 300 | 380 | 80 | NNU 4860/W33 | 37 |

| Dimension (mm) Dimensioni (mm) | | | Designation Sigla | Fig. |
|-----------------------------------|---------|--------|--------------------------|------|
| d | D | B | | |
| 300 | 380 | 90 | 23860 | 45 |
| 300 | 380 | 90 | 23860 K | 46 |
| 300 | 420 | 56 | 61960 MA | 4 |
| 300 | 420 | 73 | 29260 M | 58 |
| 300 | 420 | 76 | 32960 | 43 |
| 300 | 420 | 90 | 23960 | 45 |
| 300 | 420 | 90 | 23960 K | 46 |
| 300 | 420 | 95 | 51260 M | 51 |
| 300 | 420 | 118 | NUU 4960 K/SPW33 | 37 |
| 300 | 420 | 118 | NUU 4960 SPW33 | 37 |
| 300 | 420 | 144 | 234960 | 57 |
| 300 | 420 | 152 | 32960/DF | 44 |
| 300 | 420 | 240 | FC 6084240 | 40 |
| 300 | 420 | 300 | FCD 6084300 | 41 |
| 300 | 460 | 50 | 16060 MA | 4 |
| 300 | 460 | 74 | 6060 M | 4 |
| 300 | 460 | 74 | 7060 A | 17 |
| 300 | 460 | 74 | 7060 B | 17 |
| 300 | 460 | 74 | NU 1060 | 32 |
| 300 | 460 | 74 | NJ 1060 | 33 |
| 300 | 460 | 100 | 32060 | 43 |
| 300 | 460 | 118 | NN 3060 K/SPW33 | 38 |
| 300 | 460 | 118 | NN 3060/SPW33 | 38 |
| 300 | 460 | 118 | 23060 | 45 |
| 300 | 460 | 118 | 23060 K | 46 |
| 300 | 460 | 160 | NUU 4060 KM/W33 | 37 |
| 300 | 460 | 160 | NUU 4060 M/W33 | 37 |
| 300 | 460 | 160 | 24060 | 45 |
| 300 | 460 | 160 | 24060 K30 | 46 |
| 300 | 460 | 190 | 234460 | 57 |
| 300 | 480 | 109 | 29360 M | 58 |
| 300 | 500 | 160 | 23160 | 45 |
| 300 | 500 | 160 | 23160 K | 46 |
| 300 | 500 | 200 | NUU 4160 K30M/W33 | 37 |
| 300 | 500 | 200 | NUU 4160 M/W33 | 37 |
| 300 | 500 | 200 | 24160 | 45 |
| 300 | 500 | 200 | 24160 K30 | 46 |
| 300 | 540 | 85 | 6260 M | 4 |
| 300 | 540 | 85 | NU 260 | 32 |
| 300 | 540 | 140 | NU 2260 | 32 |
| 300 | 540 | 140 | 22260 | 45 |
| 300 | 540 | 140 | 22260 K | 46 |
| 300 | 540 | 145 | 29460 M | 58 |
| 300 | 540 | 149 | 32260 | 43 |
| 300 | 540 | 192 | 23260 | 45 |
| 300 | 540 | 192 | 23260 K | 46 |
| 304,80 | 393,70 | 50,80 | KL357049/KL357010 | 43 |
| 304,80 | 406,40 | 63,50 | LM757049/LM757010 | 43 |
| 304,80 | 546,10 | 171,05 | 306/304.8 | 43 |
| 309 | 31,50 | | HJ 1052 | 36 |
| 317,50 | 447,675 | 85,725 | HM259048/HM259010 | 43 |
| 320 | 340 | 470 | 350982 C | 59 |
| 320 | 349 | 440 | 353102C | 59 |
| 320 | 400 | 63 | 51164 M | 51 |
| 320 | 400 | 80 | NUU 4864 K/W33 | 37 |
| 320 | 400 | 80 | NUU 4864/W33 | 37 |

| Dimension (mm) Dimensioni (mm) | | | Designation Sigla | Fig. |
|-----------------------------------|--------|--------|--------------------------|------|
| d | D | B | | |
| 320 | 440 | 56 | 61964 MA | 4 |
| 320 | 440 | 73 | 29264 M | 58 |
| 320 | 440 | 76 | 32964 | 43 |
| 320 | 440 | 90 | 23964 | 45 |
| 320 | 440 | 90 | 23964 K | 46 |
| 320 | 440 | 95 | 51264 M | 51 |
| 320 | 440 | 118 | NUU 4964 K/SPW33 | 37 |
| 320 | 440 | 118 | NUU 4964 SPW33 | 37 |
| 320 | 450 | 240 | FC 6490240 | 40 |
| 320 | 460 | 340 | FCD 6492340 | 41 |
| 320 | 480 | 50 | 16064 MA | 4 |
| 320 | 480 | 74 | 6064 M | 4 |
| 320 | 480 | 74 | 7064 A | 17 |
| 320 | 480 | 74 | QJ 1064 | 22 |
| 320 | 480 | 74 | NU 1064 | 32 |
| 320 | 480 | 74 | NJ 1064 | 33 |
| 320 | 480 | 100 | 32064 | 43 |
| 320 | 480 | 121 | NN 3064 K/SPW33 | 38 |
| 320 | 480 | 121 | 23064 | 45 |
| 320 | 480 | 121 | 23064 K | 46 |
| 320 | 480 | 160 | NUU 4064 KM/W33 | 37 |
| 320 | 480 | 160 | NUU 4064 M/W33 | 37 |
| 320 | 480 | 160 | 24064 | 45 |
| 320 | 480 | 160 | 24064 K30 | 46 |
| 320 | 480 | 200 | 32064 X/DF | 44 |
| 320 | 500 | 109 | 29364 M | 58 |
| 320 | 540 | 38 | 61864 MA | 4 |
| 320 | 540 | 176 | 23164 | 45 |
| 320 | 540 | 176 | 23164 K | 46 |
| 320 | 540 | 218 | NUU 4164 | 37 |
| 320 | 540 | 218 | NUU 4164 K30 | 37 |
| 320 | 540 | 218 | 24164 K30 | 46 |
| 320 | 580 | 92 | NU 264 | 32 |
| 320 | 580 | 105 | QJ 1264 | 22 |
| 320 | 580 | 150 | NJ 2264 | 33 |
| 320 | 580 | 150 | 22264 | 45 |
| 320 | 580 | 150 | 22264 K | 46 |
| 320 | 580 | 155 | 29464 M | 58 |
| 320 | 580 | 208 | 23264 | 45 |
| 320 | 580 | 208 | 23264 K | 46 |
| 320 | 580 | 218 | 24164 | 45 |
| 329 | 31,50 | | HJ 1056 | 36 |
| 330 | 460 | 340 | FCD 6692340 | 41 |
| 330,20 | 482,60 | 85,725 | EE526130/526190 | 43 |
| 333,375 | 469,90 | 90,488 | HM261049/HM261010 | 43 |
| 335 | 39,50 | | HJ 348 | 36 |
| 340 | 33 | | HJ 252 | 36 |
| 340 | 420 | 38 | 61868 MA | 4 |
| 340 | 420 | 64 | 51168M | 51 |
| 340 | 420 | 80 | NUU 4868 K/W33 | 37 |
| 340 | 420 | 80 | NUU 4868/W33 | 37 |
| 340 | 450 | 250 | FC 6890250 | 40 |
| 340 | 460 | 56 | 61968 MA | 4 |
| 340 | 460 | 73 | 29268 M | 58 |
| 340 | 460 | 76 | 32968 | 43 |
| 340 | 460 | 90 | 23968 | 45 |

| Dimension (mm) Dimensioni (mm) | | | Designation Sigla | Fig. |
|-----------------------------------|--------|--------|---------------------------|------|
| d | D | B | | |
| 340 | 460 | 90 | 23968 K | 46 |
| 340 | 460 | 96 | 51268 M | 51 |
| 340 | 460 | 118 | NNU 4968 K/SPW33 | 37 |
| 340 | 460 | 118 | NNU 4968 SPW33 | 37 |
| 340 | 480 | 350 | FCD 6896350 | 41 |
| 340 | 520 | 57 | 16068 MA | 4 |
| 340 | 520 | 82 | 6068 M | 4 |
| 340 | 520 | 82 | 7068 B | 17 |
| 340 | 520 | 82 | QJ 1068 | 22 |
| 340 | 520 | 82 | NU 1068 | 32 |
| 340 | 520 | 82 | NJ 1068 | 33 |
| 340 | 520 | 133 | NN 3068 K/SPW33 | 38 |
| 340 | 520 | 133 | 23068 | 45 |
| 340 | 520 | 133 | 23068 K | 46 |
| 340 | 520 | 180 | NNU 4068 KM/W33 | 37 |
| 340 | 520 | 180 | NNU 4068 M/W33 | 37 |
| 340 | 520 | 180 | 24068 | 45 |
| 340 | 520 | 180 | 24068 K30 | 46 |
| 340 | 540 | 122 | 29368 M | 58 |
| 340 | 540 | 160 | 51368 | 51 |
| 340 | 580 | 190 | 23168 | 45 |
| 340 | 580 | 190 | 23168 K | 46 |
| 340 | 580 | 243 | NNU 4168 K30M/W33 | 37 |
| 340 | 580 | 243 | NNU 4168 M/W33 | 37 |
| 340 | 580 | 243 | 24168 | 45 |
| 340 | 580 | 243 | 24168 K30 | 46 |
| 340 | 620 | 92 | 7268 B | 17 |
| 340 | 620 | 118 | QJ 1268 | 22 |
| 340 | 620 | 165 | NU 2268 | 32 |
| 340 | 620 | 170 | 29468 M | 58 |
| 340 | 620 | 224 | 23268 | 45 |
| 340 | 620 | 224 | 23268 K | 46 |
| 343,154 | 450,85 | 66,675 | LM361649A/LM361610 | 43 |
| 346,075 | 488,95 | 95,25 | HM262749/HM262710 | 43 |
| 350 | 38 | | HJ 2256 | 36 |
| 350 | 380 | 490 | 351100C | 59 |
| 350 | 384 | 540 | 353006 | 59 |
| 350 | 500 | 410 | FCDP 70100410 | 42 |
| 350 | 520 | 300 | FC 70104300 | 40 |
| 355,60 | 482,60 | 60,32 | 306/355.6-1 | 43 |
| 356 | 36 | | HJ 1060 | 36 |
| 360 | 440 | 38 | 61872 MA | 4 |
| 360 | 440 | 65 | 51172M | 51 |
| 360 | 480 | 56 | 61972 MA | 4 |
| 360 | 480 | 56 | 71972 B | 17 |
| 360 | 480 | 76 | 32972 | 43 |
| 360 | 480 | 90 | 23972 | 45 |
| 360 | 480 | 90 | 23972 K | 46 |
| 360 | 480 | 118 | NNU 4972 SPW33 | 37 |
| 360 | 480 | 118 | NNU 4972 K/SPW33 | 37 |
| 360 | 500 | 85 | 29272M | 58 |
| 360 | 500 | 110 | 51272M | 51 |
| 360 | 500 | 250 | FC 72100250 | 40 |
| 360 | 510 | 370 | FCD 72102370 | 41 |
| 360 | 530 | 80 | 30672 | 43 |
| 360 | 540 | 57 | 16072 MA | 4 |

| Dimension (mm) Dimensioni (mm) | | | Designation Sigla | Fig. |
|-----------------------------------|---------|--------|----------------------------|------|
| d | D | B | | |
| 360 | 540 | 82 | 6072 M | 4 |
| 360 | 540 | 82 | 7072 A | 17 |
| 360 | 540 | 82 | NU 1072 | 32 |
| 360 | 540 | 86 | 31072 | 43 |
| 360 | 540 | 134 | NN 3072 K/SPW33 | 38 |
| 360 | 540 | 134 | 23072 | 45 |
| 360 | 540 | 134 | 23072 K | 46 |
| 360 | 540 | 180 | NNU 4072 KM/W33 | 37 |
| 360 | 540 | 180 | NNU 4072 M/W33 | 37 |
| 360 | 540 | 180 | 24072 | 45 |
| 360 | 540 | 180 | 24072 K30 | 46 |
| 360 | 560 | 122 | 29372 M | 58 |
| 360 | 600 | 192 | 23172 | 45 |
| 360 | 600 | 192 | 23172 K | 46 |
| 360 | 600 | 243 | NNU 4172 K30M | 37 |
| 360 | 600 | 243 | NNU 4172 M | 37 |
| 360 | 600 | 243 | 24172 | 45 |
| 360 | 600 | 243 | 24172 K30 | 46 |
| 360 | 640 | 170 | 29472 M | 58 |
| 360 | 650 | 95 | 7272 B | 17 |
| 360 | 650 | 122 | QJ 1272 | 22 |
| 360 | 650 | 170 | NU 2272 | 32 |
| 360 | 650 | 170 | 22272 | 45 |
| 360 | 650 | 170 | 22272 K | 46 |
| 360 | 650 | 232 | 23272 | 45 |
| 360 | 650 | 232 | 23272 K | 46 |
| 365 | 540 | 300 | FC 73108300 | 40 |
| 366 | 440 | 65 | BD1B 634132 | 51 |
| 370 | 520 | 380 | FCDP 74104380 | 42 |
| 376 | 36 | | HJ 1064 | 36 |
| 377,825 | 522,288 | 85,725 | KLM565946/KLM565910 | 43 |
| 380 | 416 | 560 | 351175 C | 59 |
| 380 | 460 | 36 | 351793 | 51 |
| 380 | 460 | 65 | 51176 M | 51 |
| 380 | 480 | 31 | 70876 A | 17 |
| 380 | 480 | 46 | 61876 MA | 4 |
| 380 | 480 | 100 | NNU 4876 K/W33 | 37 |
| 380 | 480 | 100 | NNU 4876/W33 | 37 |
| 380 | 480 | 106 | 23976 | 45 |
| 380 | 520 | 65 | 61976 MA | 4 |
| 380 | 520 | 65 | 71976 A | 17 |
| 380 | 520 | 82 | NU 1076 | 32 |
| 380 | 520 | 82 | NJ 1076 | 33 |
| 380 | 520 | 85 | 29276 M | 58 |
| 380 | 520 | 106 | 23976 K | 46 |
| 380 | 520 | 112 | 51276 M | 51 |
| 380 | 520 | 140 | NNU 4976 K/SPW33 | 37 |
| 380 | 520 | 140 | NNU 4976 SPW33 | 37 |
| 380 | 540 | 260 | FCD 76108260 | 41 |
| 380 | 540 | 300 | FCD 76108300 | 41 |
| 380 | 540 | 304 | FC 76108304 | 40 |
| 380 | 540 | 340 | FC 76108340 | 40 |
| 380 | 540 | 400 | FCD 76108400 | 41 |
| 380 | 560 | 57 | 16076 MA | 4 |
| 380 | 560 | 82 | 6076 M | 4 |
| 380 | 560 | 135 | NN 3076 K/SPW33 | 38 |

| Dimension (mm) Dimensioni (mm) | | | Designation Sigla | Fig. |
|-----------------------------------|---------|---------|----------------------------|------|
| d | D | B | | |
| 380 | 560 | 135 | 23076 | 45 |
| 380 | 560 | 135 | 23076 K | 46 |
| 380 | 560 | 180 | NNU 4076 KM/W33 | 37 |
| 380 | 560 | 180 | NNU 4076 M/W33 | 37 |
| 380 | 560 | 180 | 24076 | 45 |
| 380 | 560 | 180 | 24076 K30 | 46 |
| 380 | 560 | 300 | FCD 76112300 | 41 |
| 380 | 560 | 325 | FCD 76112325 | 41 |
| 380 | 600 | 132 | 29376 M | 58 |
| 380 | 620 | 175 | NU 2276 | 32 |
| 380 | 620 | 194 | 23176 | 45 |
| 380 | 620 | 194 | 23176 K | 46 |
| 380 | 620 | 243 | NNU 4176 K30M | 37 |
| 380 | 620 | 243 | NNU 4176 M | 37 |
| 380 | 620 | 243 | 24176 | 45 |
| 380 | 620 | 243 | 24176 K30 | 46 |
| 380 | 670 | 175 | 29476 M | 58 |
| 380 | 680 | 132 | QJ 1276 | 22 |
| 380 | 680 | 240 | 23276 | 45 |
| 380 | 680 | 240 | 23276 K | 46 |
| 380,10 | 480 | 50 | 306/380.1 | 43 |
| 381 | 82,55 | 29,37 | HM 801346/310 | 43 |
| 381 | 497,425 | 49,212 | L865547/L865512 | 43 |
| 381 | 522,288 | 85,725 | KLM565949/KLM565910 | 43 |
| 384,175 | 546,10 | 104,775 | HM266449/HM266410 | 43 |
| 385 | 510 | 110 | 350550 | 51 |
| 390 | 540 | 320 | FCD 78108320 | 41 |
| 400 | 43 | | HJ 1080 | 36 |
| 400 | 480 | 65 | 51180M | 51 |
| 400 | 500 | 46 | 61880 MA | 4 |
| 400 | 500 | 60 | 30680 | 43 |
| 400 | 500 | 100 | NNU 4880 K/W33 | 37 |
| 400 | 500 | 100 | NNU 4880/W33 | 37 |
| 400 | 540 | 65 | 61980 MA | 4 |
| 400 | 540 | 85 | 29280 M | 58 |
| 400 | 540 | 90 | NU 1080 | 32 |
| 400 | 540 | 106 | 23980 | 45 |
| 400 | 540 | 106 | 23980 K | 46 |
| 400 | 540 | 140 | NNU 4980 K/SPW33 | 37 |
| 400 | 540 | 140 | NNU 4980 SPW33 | 37 |
| 400 | 550 | 300 | FC 80110300 | 40 |
| 400 | 560 | 300 | FC 80112300 | 40 |
| 400 | 560 | 410 | FCD 80112410 | 41 |
| 400 | 590 | 440 | FCD 80114440 | 41 |
| 400 | 600 | 90 | 6080 M | 4 |
| 400 | 600 | 148 | NN 3080 K/SPW33 | 38 |
| 400 | 600 | 148 | 23080 | 45 |
| 400 | 600 | 148 | 23080 K | 46 |
| 400 | 600 | 200 | NNU 4080 K/W33 | 37 |
| 400 | 600 | 200 | NNU 4080 W33 | 37 |
| 400 | 600 | 200 | 24080 | 45 |
| 400 | 600 | 200 | 24080 K30 | 46 |
| 400 | 620 | 132 | 29380 M | 58 |
| 400 | 650 | 200 | 23180 | 45 |
| 400 | 650 | 200 | 23180 K | 46 |
| 400 | 650 | 250 | NNU 4180 K30M/W33 | 37 |

| Dimension (mm) Dimensioni (mm) | | | Designation Sigla | Fig. |
|-----------------------------------|---------|--------|--------------------------|------|
| d | D | B | | |
| 400 | 650 | 250 | NNU 4180 M/W33 | 37 |
| 400 | 650 | 250 | 24180 | 45 |
| 400 | 650 | 250 | 24180 K30 | 46 |
| 400 | 710 | 185 | 29480 M | 58 |
| 400 | 720 | 103 | 7280 B | 17 |
| 400 | 720 | 256 | 23280 | 45 |
| 400 | 720 | 256 | 23280 K | 46 |
| 400 | 750 | 130 | 30680-1 | 43 |
| 400 | 820 | 243 | 22380 | 45 |
| 400 | 820 | 243 | 22380 K | 46 |
| 403,225 | 460,375 | 28,575 | LL566848/LL566810 | 43 |
| 406,40 | 546,10 | 76,20 | KEE234160/K234215 | 43 |
| 406,40 | 549,275 | 85,725 | LM567949/LM567910 | 43 |
| 406,40 | 574,63 | 76,20 | EE285160/EE285226 | 43 |
| 406,40 | 762 | 108,98 | H969249/H969210 | 43 |
| 410 | 560 | 400 | FCDP 82112400 | 42 |
| 410 | 600 | 440 | FCDP 82120440 | 42 |
| 415,925 | 590,55 | 114,30 | M268749/M268710 | 43 |
| 420 | 455 | 620 | 351121C | 59 |
| 420 | 500 | 65 | 51184 M | 51 |
| 420 | 520 | 46 | 61884 MA | 4 |
| 420 | 520 | 100 | NNU 4884 K/W33 | 37 |
| 420 | 520 | 100 | NNU 4884/W33 | 37 |
| 420 | 560 | 65 | 61984 MA | 4 |
| 420 | 560 | 65 | 71984 B | 17 |
| 420 | 560 | 106 | 23984 | 45 |
| 420 | 560 | 106 | 23984 K | 46 |
| 420 | 560 | 140 | NNU 4984 K/SPW33 | 37 |
| 420 | 560 | 140 | NNU 4984 SPW33 | 37 |
| 420 | 580 | 95 | 29284 M | 58 |
| 420 | 580 | 130 | 51284 | 51 |
| 420 | 580 | 260 | FCD 84116260 | 41 |
| 420 | 580 | 320 | FCD 84116320 | 41 |
| 420 | 600 | 440 | FCD 84120440 | 41 |
| 420 | 620 | 90 | 6084 M | 4 |
| 420 | 620 | 90 | 7084 B | 17 |
| 420 | 620 | 95 | 31084 | 43 |
| 420 | 620 | 95 | 31084P5 | 43 |
| 420 | 620 | 150 | NN 3084 K/SPW33 | 38 |
| 420 | 620 | 150 | 23084 | 45 |
| 420 | 620 | 150 | 23084 K | 46 |
| 420 | 620 | 200 | NNU 4084 KM/W33 | 37 |
| 420 | 620 | 200 | NNU 4084 M/W33 | 37 |
| 420 | 620 | 200 | 24084 | 45 |
| 420 | 620 | 200 | 24084 K30 | 46 |
| 420 | 650 | 90 | NU 1084 | 32 |
| 420 | 650 | 140 | 29384 M | 58 |
| 420 | 700 | 224 | 23184 | 45 |
| 420 | 700 | 224 | 23184 K | 46 |
| 420 | 700 | 280 | NNU 4184/316275 | 37 |
| 420 | 700 | 280 | 24184 | 45 |
| 420 | 700 | 280 | 24184 K30 | 46 |
| 420 | 730 | 185 | 29484 M | 58 |
| 420 | 760 | 272 | 23284 | 45 |
| 420 | 760 | 272 | 23284 K | 46 |
| 423 | 39,50 | | HJ 1072 | 36 |

| Dimension (mm) Dimensioni (mm) | | | Designation Sigla | Fig. |
|-----------------------------------|--------|--------|--------------------------|------|
| d | D | B | | |
| 430,212 | 603,25 | 76,20 | EE241693/242375 | 43 |
| 440 | 480 | 645 | 353152 | 59 |
| 440 | 520 | 65 | BD1B 634131 | 51 |
| 440 | 540 | 31 | 60888 | 4 |
| 440 | 540 | 46 | 61888 MA | 4 |
| 440 | 540 | 80 | 51188M | 51 |
| 440 | 540 | 100 | NNU 4888 K/W33 | 37 |
| 440 | 540 | 100 | NNU 4888/W33 | 37 |
| 440 | 560 | 94 | NU 1088 | 32 |
| 440 | 600 | 50 | 60988 | 4 |
| 440 | 600 | 74 | 61988 MA | 4 |
| 440 | 600 | 74 | QJ 1988 | 22 |
| 440 | 600 | 95 | 29288 M | 58 |
| 440 | 600 | 118 | 23988 | 45 |
| 440 | 600 | 118 | 23988 K | 46 |
| 440 | 600 | 130 | 51288 | 51 |
| 440 | 620 | 450 | FCDP 88124450 | 42 |
| 440 | 650 | 94 | 6088 M | 4 |
| 440 | 650 | 157 | 23088 | 45 |
| 440 | 650 | 157 | 23088 K | 46 |
| 440 | 650 | 212 | NNU 4088 KM/W33 | 37 |
| 440 | 650 | 212 | NNU 4088 M/W33 | 37 |
| 440 | 650 | 212 | 24088 | 45 |
| 440 | 650 | 212 | 24088 K30 | 46 |
| 440 | 650 | 355 | FC 88130355 | 40 |
| 440 | 660 | 340 | FC 88132340 | 40 |
| 440 | 680 | 145 | 29388 M | 58 |
| 440 | 720 | 226 | 23188 | 45 |
| 440 | 720 | 226 | 23188 K | 46 |
| 440 | 720 | 280 | NNU 4188 K30M/W33 | 37 |
| 440 | 720 | 280 | NNU 4188 M/W33 | 37 |
| 440 | 720 | 280 | 24188 | 45 |
| 440 | 720 | 280 | 24188 K30 | 46 |
| 440 | 780 | 206 | 29488 M | 58 |
| 440 | 790 | 280 | 23288 | 45 |
| 440 | 790 | 280 | 23288 K | 46 |
| 443 | 39,50 | | HJ 1068 | 36 |
| 443 | 39,50 | | HJ 1076 | 36 |
| 447,625 | 635 | 120,65 | M270749/M270710 | 43 |
| 450 | 480 | 645 | 350916 D | 59 |
| 450 | 590 | 300 | FC 90114300 | 40 |
| 457,20 | 573,09 | 74,61 | L570649/L570610 | 43 |
| 457,20 | 603,25 | 85,725 | LM770949/LM770910 | 43 |
| 457,20 | 615,95 | 85,725 | LM272235/LM272210 | 43 |
| 457,20 | 660,40 | 91,28 | EE737181/737260 | 43 |
| 460 | 560 | 80 | 51192M | 51 |
| 460 | 560 | 100 | NU 1092 | 32 |
| 460 | 580 | 37 | 70892 A | 17 |
| 460 | 580 | 56 | 61892 MA | 4 |
| 460 | 580 | 118 | NNU 4892 K/W33 | 37 |
| 460 | 580 | 118 | NNU 4892/W33 | 37 |
| 460 | 580 | 118 | 24892 | 45 |
| 460 | 580 | 118 | 24892 K30 | 46 |
| 460 | 600 | 212 | NU 2292 | 32 |
| 460 | 620 | 72 | 61992 | 4 |
| 460 | 620 | 74 | 61992 MA | 4 |

| Dimension (mm) Dimensioni (mm) | | | Designation Sigla | Fig. |
|-----------------------------------|-----|-----|--------------------------|------|
| d | D | B | | |
| 460 | 620 | 95 | 29292 M | 58 |
| 460 | 620 | 118 | 23992 | 45 |
| 460 | 620 | 118 | 23992 K | 46 |
| 460 | 620 | 160 | NNU 4992 K/SPW33 | 37 |
| 460 | 620 | 160 | NNU 4992 SPW33 | 37 |
| 460 | 650 | 355 | FCD 92130355 | 41 |
| 460 | 650 | 424 | FCD 92130424 | 41 |
| 460 | 650 | 470 | FCD 92130470 | 41 |
| 460 | 680 | 100 | 6092 MB | 4 |
| 460 | 680 | 100 | 7092 A | 17 |
| 460 | 680 | 100 | QJ 1092 | 22 |
| 460 | 680 | 163 | NN 3092 K/SPW33 | 38 |
| 460 | 680 | 163 | 23092 | 45 |
| 460 | 680 | 163 | 23092 K | 46 |
| 460 | 680 | 165 | NU 1292 | 32 |
| 460 | 680 | 218 | NNU 4092 KM/W33 | 37 |
| 460 | 680 | 218 | NNU 4092 M/W33 | 37 |
| 460 | 680 | 218 | 24092 | 45 |
| 460 | 680 | 218 | 24092 K30 | 46 |
| 460 | 680 | 400 | FC 92136400 | 40 |
| 460 | 710 | 150 | 29392 M | 58 |
| 460 | 760 | 240 | 23192 | 45 |
| 460 | 760 | 240 | 23192 K | 46 |
| 460 | 760 | 300 | NNU 4192 K30M | 37 |
| 460 | 760 | 300 | NNU 4192 M | 37 |
| 460 | 760 | 300 | 24192 | 45 |
| 460 | 760 | 300 | 24192 K30 | 46 |
| 460 | 800 | 206 | 29492 M | 58 |
| 460 | 830 | 296 | 23292 | 45 |
| 460 | 830 | 296 | 23292 K | 46 |
| 460 | 860 | 210 | 30692 | 43 |
| 470 | 515 | 720 | 353151 | 59 |
| 480 | 580 | 80 | 51196M | 51 |
| 480 | 600 | 56 | 61896 MA | 4 |
| 480 | 600 | 90 | 23896 | 45 |
| 480 | 600 | 90 | 23896 K | 46 |
| 480 | 620 | 100 | NU 1096 | 32 |
| 480 | 650 | 78 | 61996 MA | 4 |
| 480 | 650 | 103 | 29296 M | 58 |
| 480 | 650 | 128 | 23996 | 45 |
| 480 | 650 | 128 | 23996 K | 46 |
| 480 | 650 | 450 | FCD 96130450 | 41 |
| 480 | 680 | 420 | FCD 96136420 | 41 |
| 480 | 680 | 500 | FCDP 96136500 | 42 |
| 480 | 700 | 100 | 6096 MB | 4 |
| 480 | 700 | 165 | 23096 | 45 |
| 480 | 700 | 165 | 23096 K | 46 |
| 480 | 700 | 218 | NNU 4096 KM/W33 | 37 |
| 480 | 700 | 218 | NNU 4096 M/W33 | 37 |
| 480 | 700 | 218 | 24096 | 45 |
| 480 | 700 | 218 | 24096 K30 | 46 |
| 480 | 730 | 150 | 29396 M | 58 |
| 480 | 790 | 248 | 23196 | 45 |
| 480 | 790 | 248 | 23196K | 46 |
| 480 | 790 | 308 | NNU 4196 K30M/W33 | 37 |
| 480 | 790 | 308 | NNU 4196 M/W33 | 37 |

| Dimension (mm) Dimensioni (mm) | | | Designation Sigla | Fig. |
|-----------------------------------|---------|--------|----------------------------|------|
| d | D | B | | |
| 480 | 790 | 308 | 24196 | 45 |
| 480 | 790 | 308 | 24196 K30 | 46 |
| 480 | 850 | 224 | 29496 M | 58 |
| 480 | 870 | 310 | 23296 | 45 |
| 480 | 870 | 310 | 23296 K | 46 |
| 480 | 950 | 250 | 30696 | 43 |
| 482,60 | 634,87 | 80,962 | EE243190/243250 | 43 |
| 488,95 | 634,873 | 84,138 | LM772748/LM772710 | 43 |
| 490 | 43 | | HJ 1084 | 36 |
| 498,475 | 634,873 | 80,962 | EE243196/243250/HE | 43 |
| 500 | 600 | 80 | 511/500M | 51 |
| 500 | 620 | 37 | 608/500 | 4 |
| 500 | 620 | 37 | 708/500 A | 17 |
| 500 | 620 | 56 | 618/500 MA | 4 |
| 500 | 620 | 90 | 238/500 | 45 |
| 500 | 620 | 90 | 238/500 K | 46 |
| 500 | 650 | 100 | NU 10/500 | 32 |
| 500 | 650 | 260 | FCD 100130260 | 41 |
| 500 | 660 | 75 | 619/500X3F1 | 4 |
| 500 | 670 | 78 | 619/500 MA | 4 |
| 500 | 670 | 103 | 292/500 M | 58 |
| 500 | 670 | 128 | 239/500 | 45 |
| 500 | 670 | 128 | 239/500 K | 46 |
| 500 | 670 | 170 | NNU 49/500 K/SPW33X | 37 |
| 500 | 670 | 170 | NNU 49/500 SPW33X | 37 |
| 500 | 670 | 450 | FCD 100132450 | 41 |
| 500 | 680 | 185 | NU 12/500 | 32 |
| 500 | 680 | 450 | FCD 100136450 | 41 |
| 500 | 710 | 480 | FCDP 100142480 | 42 |
| 500 | 720 | 100 | 60/500 N1MAS | 4 |
| 500 | 720 | 110 | T2GB500 | 43 |
| 500 | 720 | 167 | 230/500 | 45 |
| 500 | 720 | 167 | 230/500 K | 46 |
| 500 | 720 | 218 | NNU 40/500 KM/W33 | 37 |
| 500 | 720 | 218 | NNU 40/500 M/W33 | 37 |
| 500 | 720 | 218 | 240/500 | 45 |
| 500 | 720 | 218 | 240/500 K30 | 46 |
| 500 | 720 | 400 | FC 100144400 | 40 |
| 500 | 738 | 500 | FCD 100148500 | 41 |
| 500 | 750 | 150 | 293/500 M | 58 |
| 500 | 830 | 264 | 231/500 | 45 |
| 500 | 830 | 264 | 231/500 K | 46 |
| 500 | 830 | 325 | NNU 41/500 K30M/W33 | 37 |
| 500 | 830 | 325 | NNU 41/500 M/W33 | 37 |
| 500 | 830 | 325 | 241/500 | 45 |
| 500 | 830 | 325 | 241/500 K30 | 46 |
| 500 | 870 | 224 | 294/500 M | 58 |
| 500 | 920 | 336 | 232/500 | 45 |
| 500 | 920 | 336 | 232/500 K | 46 |
| 510 | 680 | 500 | FCDP 102136500 | 42 |
| 510 | 730 | 520 | FCD 102146520 | 41 |
| 510 | 760 | 550 | FCDP 102152550 | 42 |
| 512 | 45 | | HJ 1088 | 36 |
| 520,70 | 736,60 | 88,90 | EE982051/982900 | 43 |
| 530 | 560 | 710 | 351475 C | 59 |
| 530 | 590 | 36 | 351794 | 51 |

| Dimension (mm) Dimensioni (mm) | | | Designation Sigla | Fig. |
|-----------------------------------|---------|--------|----------------------------|------|
| d | D | B | | |
| 530 | 640 | 85 | 511/530M | 51 |
| 530 | 650 | 56 | 618/530 MA | 4 |
| 530 | 650 | 118 | 248/530 | 45 |
| 530 | 650 | 118 | 248/530 K30 | 46 |
| 530 | 670 | 100 | 318/530 | 43 |
| 530 | 710 | 57 | 609/530 | 4 |
| 530 | 710 | 82 | 619/530MA | 4 |
| 530 | 710 | 88 | 319/530 | 43 |
| 530 | 710 | 109 | 292/530 M | 58 |
| 530 | 710 | 136 | 239/530 | 45 |
| 530 | 710 | 136 | 239/530 K | 46 |
| 530 | 760 | 520 | FCDP 106152520 | 42 |
| 530 | 780 | 11 | 60/530 N1MAS | 4 |
| 530 | 780 | 112 | 70/530 B | 17 |
| 530 | 780 | 112 | NU 10/530 | 32 |
| 530 | 780 | 145 | NU 20/530 | 32 |
| 530 | 780 | 185 | 230/530 | 45 |
| 530 | 780 | 185 | 230/530 K | 46 |
| 530 | 780 | 250 | NNU 40/530 KM/W33 | 37 |
| 530 | 780 | 250 | NNU 40/530 M/W33 | 37 |
| 530 | 780 | 250 | 240/530 | 45 |
| 530 | 780 | 250 | 240/530 K30 | 46 |
| 530 | 780 | 500 | FCD 106156500 | 41 |
| 530 | 780 | 570 | FCD 106156570 | 41 |
| 530 | 800 | 160 | 293/530 M | 58 |
| 530 | 870 | 272 | 231/530 | 45 |
| 530 | 870 | 272 | 231/530 K | 46 |
| 530 | 870 | 335 | NNU 41/530 K30M/W33 | 37 |
| 530 | 870 | 335 | NNU 41/530 M/W33 | 37 |
| 530 | 870 | 335 | 241/530 | 45 |
| 530 | 870 | 335 | 241/530 K30 | 46 |
| 530 | 920 | 236 | 294/530 M | 58 |
| 530 | 980 | 355 | 232/530 | 45 |
| 530 | 980 | 355 | 232/530 K | 46 |
| 536,575 | 761,873 | 146,05 | M276449/M276410 | 43 |
| 536,575 | 820 | 152 | 306/536X4 | 43 |
| 537 | 48 | | HJ 1092 | 36 |
| 539,75 | 635 | 50,80 | LL575349/LL575310 | 43 |
| 545 | 635 | 65 | BD1B634141 | 51 |
| 550 | 585 | 760 | 350976 C | 59 |
| 550 | 740 | 510 | FCDP 110148510 | 42 |
| 550 | 800 | 520 | FCDP 110160520 | 42 |
| 557 | 48 | | HJ 1096 | 36 |
| 560 | 670 | 67 | 591/560 | 51 |
| 560 | 670 | 85 | 511/560M | 51 |
| 560 | 680 | 37 | 608/560 | 4 |
| 560 | 680 | 56 | 618/560 MA | 4 |
| 560 | 680 | 56 | 718/560 A | 17 |
| 560 | 680 | 56 | NJ 18/560 | 33 |
| 560 | 750 | 85 | 619/560 MA | 4 |
| 560 | 750 | 85 | 719/560 A | 17 |
| 560 | 750 | 115 | 292/560 M | 58 |
| 560 | 750 | 140 | 239/560 | 45 |
| 560 | 750 | 140 | 239/560 K | 46 |
| 560 | 800 | 600 | FCDP 112160600 | 42 |
| 560 | 820 | 115 | 60/560 N1MAS | 4 |

| Dimension (mm) Dimensioni (mm) | | | Designation Sigla | Fig. |
|-----------------------------------|------|-----|----------------------|------|
| d | D | B | | |
| 560 | 820 | 115 | NU 10/560 | 32 |
| 560 | 820 | 150 | NU 20/560 | 32 |
| 560 | 820 | 195 | 230/560 | 45 |
| 560 | 820 | 195 | 230/560 K | 46 |
| 560 | 820 | 258 | NUU 40/560 KM/W33 | 37 |
| 560 | 820 | 258 | NUU 40/560 M/W33 | 37 |
| 560 | 820 | 258 | 240/560 | 45 |
| 560 | 820 | 258 | 240/560 K30 | 46 |
| 560 | 820 | 315 | FCDP 112164630 | 42 |
| 560 | 820 | 600 | FCDP 112164600 | 42 |
| 560 | 820 | 630 | FCDP 112164630H | 42 |
| 560 | 920 | 280 | 231/560 | 45 |
| 560 | 920 | 280 | 231/560 K | 46 |
| 560 | 920 | 355 | NUU 41/560 K30M/W33X | 37 |
| 560 | 920 | 355 | NUU 41/560 M/W33 | 37 |
| 560 | 920 | 355 | 241/560 | 45 |
| 560 | 920 | 355 | 241/560 K30 | 46 |
| 560 | 980 | 250 | 294/560 M | 58 |
| 560 | 1030 | 206 | NU 12/560 | 32 |
| 560 | 1030 | 365 | 232/560 | 45 |
| 560 | 1030 | 365 | 232/560 K | 46 |
| 560 | 1080 | 265 | 306/560 | 43 |
| 570 | 750 | 530 | FC 114150530 | 40 |
| 570 | 800 | 514 | FCDP 114160514 | 42 |
| 570 | 815 | 594 | FCDP 114163594 | 42 |
| 577 | 48 | | HJ 10/500 | 36 |
| 580 | 780 | 520 | FCDP 116156486 | 42 |
| 580 | 780 | 521 | FCDP 116156486 | 42 |
| 580 | 780 | 558 | FCDP 116156486 | 42 |
| 590 | 820 | 590 | FCDP 118164590 | 42 |
| 600 | 670 | 910 | 350901 C | 59 |
| 600 | 710 | 67 | 591/600 | 51 |
| 600 | 710 | 85 | 511/600M | 51 |
| 600 | 730 | 42 | 608/600 | 4 |
| 600 | 730 | 42 | 708/600 A | 17 |
| 600 | 730 | 60 | 618/600 MA | 4 |
| 600 | 740 | 90 | 350534 | 51 |
| 600 | 800 | 90 | 619/600 MA | 4 |
| 600 | 800 | 90 | NUP 19/600 | 34 |
| 600 | 800 | 90 | 350769 | 51 |
| 600 | 800 | 118 | NU 29/600 | 32 |
| 600 | 800 | 118 | NUP 29/600 | 34 |
| 600 | 800 | 122 | 292/600 M | 58 |
| 600 | 800 | 150 | 239/600 | 45 |
| 600 | 800 | 150 | 239/600 K | 46 |
| 600 | 800 | 200 | NUU 49/600 K/SPW33X | 37 |
| 600 | 800 | 200 | NUU 49/600 SPW33X | 37 |
| 600 | 820 | 575 | FCDP 120164575 | 42 |
| 600 | 870 | 118 | 60/600/HC | 4 |
| 600 | 870 | 118 | 70/600 A | 17 |
| 600 | 870 | 118 | NU 10/600 | 32 |
| 600 | 870 | 155 | NU 20/600 | 32 |
| 600 | 870 | 200 | N 30/600 K | 35 |
| 600 | 870 | 200 | 230/600 | 45 |
| 600 | 870 | 200 | 230/600 K | 46 |
| 600 | 870 | 272 | NUU 40/600 KM/W33 | 37 |

| Dimension (mm) Dimensioni (mm) | | | Designation Sigla | Fig. |
|-----------------------------------|--------|--------|----------------------|------|
| d | D | B | | |
| 600 | 870 | 272 | NUU 40/600 M/W33 | 37 |
| 600 | 870 | 272 | 240/600 | 45 |
| 600 | 870 | 272 | 240/600 K30 | 46 |
| 600 | 870 | 540 | FCDP 120174540 | 42 |
| 600 | 870 | 640 | FCDP 120174640 | 42 |
| 600 | 900 | 180 | 293/600 M | 58 |
| 600 | 980 | 300 | 231/600 | 45 |
| 600 | 980 | 300 | 231/600 K | 46 |
| 600 | 980 | 375 | NUU 41/600 K30M/W33 | 37 |
| 600 | 980 | 375 | NUU 41/600 M/W33 | 37 |
| 600 | 980 | 375 | 241/600 | 45 |
| 600 | 980 | 375 | 241/600 K30 | 46 |
| 600 | 1030 | 258 | 294/600 M | 58 |
| 600 | 1090 | 155 | NU 12/600 | 32 |
| 600 | 1090 | 388 | 232/600 | 45 |
| 600 | 1090 | 388 | 232/600 K | 46 |
| 607,72 | 787,40 | 93,662 | EE649239/649310 | 43 |
| 609,60 | 787,40 | 93,662 | EE649240/649310 | 43 |
| 630 | 750 | 95 | 511/630M | 51 |
| 630 | 780 | 48 | 608/630 | 4 |
| 630 | 780 | 69 | 618/630 MA | 4 |
| 630 | 780 | 88 | NU 28/630 | 32 |
| 630 | 780 | 112 | 238/630 | 45 |
| 630 | 780 | 112 | 238/630 K | 46 |
| 630 | 800 | 360 | FCD 126160360 | 41 |
| 630 | 850 | 71 | 609/630 | 4 |
| 630 | 850 | 100 | 619/630 N1MA | 4 |
| 630 | 850 | 132 | 329/630 | 43 |
| 630 | 850 | 132 | 292/630 M | 58 |
| 630 | 850 | 165 | 239/630 | 45 |
| 630 | 850 | 165 | 239/630 K | 46 |
| 630 | 850 | 436 | FCD 126170436 | 41 |
| 630 | 920 | 128 | 60/630 N1MAS | 4 |
| 630 | 920 | 128 | NU 10/630 | 32 |
| 630 | 920 | 134 | 306/630 | 43 |
| 630 | 920 | 135 | T3GB630 | 43 |
| 630 | 920 | 170 | NU 20/630 | 32 |
| 630 | 920 | 212 | NU 30/630 | 32 |
| 630 | 920 | 212 | 230/630 | 45 |
| 630 | 920 | 212 | 230/630 K | 46 |
| 630 | 920 | 290 | NUU 40/630 KM/W33 | 37 |
| 630 | 920 | 290 | NUU 40/630 M/W33 | 37 |
| 630 | 920 | 290 | 240/630 | 45 |
| 630 | 920 | 290 | 240/630 K30 | 46 |
| 630 | 920 | 515 | FCD 126184515 | 41 |
| 630 | 950 | 190 | 293/630 M | 58 |
| 630 | 1030 | 315 | 231/630 | 45 |
| 630 | 1030 | 315 | 231/630 K | 46 |
| 630 | 1030 | 400 | NUU 41/630 K30M/W33 | 37 |
| 630 | 1030 | 400 | NUU 41/630 M/W33 | 37 |
| 630 | 1030 | 400 | 241/630 | 45 |
| 630 | 1030 | 400 | 241/630 K30 | 46 |
| 630 | 1090 | 280 | 294/630 M | 58 |
| 630 | 1150 | 230 | NU 12/630 | 32 |
| 635 | 736,60 | 57,15 | 80780/80720 | 43 |
| 640 | 700 | 55 | 350015 | 51 |

| Dimension (mm) Dimensioni (mm) | | | Designation Sigla | Fig. |
|-----------------------------------|--------|---------|---------------------------|------|
| d | D | B | | |
| 640 | 880 | 600 | FCDP 128176600 | 42 |
| 648 | 53 | | HJ 10/560 | 36 |
| 650 | 900 | 650 | FCDP 130180650 | 42 |
| 650 | 920 | 670 | FCDP 130184670 | 42 |
| 650 | 920 | 690 | FCDP 130184690 | 42 |
| 660 | 820 | 440 | FCD 132164440 | 41 |
| 660 | 880 | 450 | FCD 132176450 | 41 |
| 660,40 | 812,80 | 95,25 | L281147/L281110 | 43 |
| 660,40 | 939,80 | 136,525 | 306/660.4 | 43 |
| 660,40 | 1000 | 152,40 | 306/660.4-1 | 43 |
| 670 | 705 | 900 | 351761 A | 59 |
| 670 | 800 | 78 | 591/670 | 51 |
| 670 | 800 | 105 | 511/670 M | 51 |
| 670 | 820 | 69 | 618/670 MA | 4 |
| 670 | 820 | 69 | NU 18/670 | 32 |
| 670 | 820 | 112 | 238/670 | 45 |
| 670 | 820 | 112 | 238/670 K | 46 |
| 670 | 820 | 150 | 248/670 | 45 |
| 670 | 900 | 103 | 619/670 MA | 4 |
| 670 | 900 | 103 | NU 19/670 | 32 |
| 670 | 900 | 140 | 292/670 M | 58 |
| 670 | 900 | 170 | 239/670 | 45 |
| 670 | 900 | 170 | 239/670 K | 46 |
| 670 | 900 | 230 | NU 49/670 K/SPW33X | 37 |
| 670 | 900 | 230 | NU 49/670 SPW33X | 37 |
| 670 | 980 | 136 | 60/670 N1MAS | 4 |
| 670 | 980 | 136 | 70/670 A | 17 |
| 670 | 980 | 136 | NU 10/670 | 32 |
| 670 | 980 | 180 | NU 20/670 | 32 |
| 670 | 980 | 230 | NU 30/670 | 32 |
| 670 | 980 | 230 | N 30/670 K | 35 |
| 670 | 980 | 230 | 230/670 | 45 |
| 670 | 980 | 230 | 230/670 K | 46 |
| 670 | 980 | 308 | NU 40/670 KM/W33 | 37 |
| 670 | 980 | 308 | NU 40/670 M/W33 | 37 |
| 670 | 980 | 308 | 240/670 | 45 |
| 670 | 980 | 308 | 240/670 K30 | 46 |
| 670 | 1090 | 336 | 231/670 | 45 |
| 670 | 1090 | 336 | 231/670K | 46 |
| 670 | 1090 | 412 | NU 41/670 K30M/W33 | 37 |
| 670 | 1090 | 412 | NU 41/670 M/W33 | 37 |
| 670 | 1090 | 412 | 241/670 | 45 |
| 670 | 1090 | 412 | 241/670 K30 | 46 |
| 670 | 1150 | 290 | 294/670 M | 58 |
| 670 | 1220 | 438 | 232/670 | 45 |
| 670 | 1220 | 438 | 232/670 K | 46 |
| 679,45 | 901,70 | 142,875 | LL281849/LL281810 | 43 |
| 680 | 1000 | 190 | 306/680 | 43 |
| 680 | 1020 | 680 | FCDP 136204680 | 42 |
| 682,625 | 965,20 | 185,738 | 306/682 X4-2 | 43 |
| 682,625 | 1080 | 200 | 306/682 X4-3 | 43 |
| 685,80 | 876,30 | 93,662 | EE655270/655345 | 43 |
| 690 | 980 | 715 | FCDP 138196715 | 42 |
| 690 | 980 | 750 | FCDP 138196750 | 42 |
| 695 | 55 | | HJ 10/600 | 36 |
| 700 | 930 | 620 | FCDP 140186620 | 42 |

| Dimension (mm) Dimensioni (mm) | | | Designation Sigla | Fig. |
|-----------------------------------|--------|--------|----------------------------|------|
| d | D | B | | |
| 700 | 980 | 700 | FCDP 140196700 | 42 |
| 700 | 1000 | 710 | FCDP 140200710 | 42 |
| 710 | 870 | 74 | 618/710 MA | 4 |
| 710 | 870 | 74 | NU 18/710 | 32 |
| 710 | 870 | 95 | N 28/710 | 35 |
| 710 | 870 | 118 | 238/710 | 45 |
| 710 | 950 | 78 | 609/710 | 4 |
| 710 | 950 | 106 | 619/710 MA | 4 |
| 710 | 950 | 106 | 719/710 AC | 17 |
| 710 | 950 | 114 | 319/710 | 43 |
| 710 | 950 | 180 | 239/710 | 45 |
| 710 | 950 | 180 | 239/710 K | 46 |
| 710 | 950 | 243 | 249/710 | 45 |
| 710 | 950 | 243 | 249/710 K30 | 46 |
| 710 | 1020 | 710 | FCDP 142204710 | 42 |
| 710 | 1030 | 140 | 60/710 MA | 4 |
| 710 | 1030 | 140 | NU 10/710 | 32 |
| 710 | 1030 | 185 | NU 20/710 | 32 |
| 710 | 1030 | 236 | 230/710 | 45 |
| 710 | 1030 | 236 | 230/710 K | 46 |
| 710 | 1030 | 315 | NU 40/710 KM/W33 | 37 |
| 710 | 1030 | 315 | NU 40/710 M/W33 | 37 |
| 710 | 1030 | 315 | 240/710 | 45 |
| 710 | 1030 | 315 | 240/710 K30 | 46 |
| 710 | 1060 | 212 | 293/710 M | 58 |
| 710 | 1150 | 345 | 231/710 | 45 |
| 710 | 1150 | 345 | 231/710 K | 46 |
| 710 | 1150 | 438 | NU 41/710 K30M/W33 | 37 |
| 710 | 1150 | 438 | NU 41/710 M/W33 | 37 |
| 710 | 1150 | 438 | 241/710 | 45 |
| 710 | 1150 | 438 | 241/710 K30 | 46 |
| 710 | 1220 | 308 | 294/710 M | 58 |
| 710 | 1280 | 450 | 232/710 | 45 |
| 710 | 1280 | 450 | 232/710 K | 46 |
| 711,20 | 939,80 | 120,65 | 306/711.2 | 43 |
| 723,90 | 914,40 | 84,137 | EE755285/755360 | 43 |
| 725 | 1000 | 700 | FCDP 145200700 | 42 |
| 730 | 850 | 85 | 350627 A | 51 |
| 730 | 960 | 620 | FCDP 146192620 | 42 |
| 730 | 1030 | 750 | FCDP 146206750 | 42 |
| 749,30 | 990,60 | 159,50 | L283649/L283610 | 43 |
| 750 | 900 | 90 | 591/750 | 51 |
| 750 | 900 | 120 | 511/750 | 51 |
| 750 | 920 | 78 | 618/750 MA | 4 |
| 750 | 920 | 78 | 718/750 A | 17 |
| 750 | 920 | 128 | 238/750 | 45 |
| 750 | 920 | 128 | 238/750 K | 46 |
| 750 | 920 | 170 | NU 48/750 K30/H1W33 | 37 |
| 750 | 920 | 170 | NU 48/750/H1W33 | 37 |
| 750 | 1000 | 112 | 619/750 MA | 4 |
| 750 | 1000 | 150 | 292/750 M | 58 |
| 750 | 1000 | 185 | 239/750 | 45 |
| 750 | 1000 | 185 | 239/750 K | 46 |
| 750 | 1000 | 250 | 249/750 | 45 |
| 750 | 1000 | 250 | 249/750 K30 | 46 |
| 750 | 1000 | 670 | FCDP 150200670 | 42 |

| Dimension (mm) Dimensioni (mm) | | | Designation Sigla | Fig. |
|-----------------------------------|--------|--------|----------------------------|------|
| d | D | B | | |
| 750 | 1080 | 665 | FCDP 150216650 | 42 |
| 750 | 1090 | 150 | 60/750 | 4 |
| 750 | 1090 | 150 | NU 10/750 | 32 |
| 750 | 1090 | 195 | NU 20/750 | 32 |
| 750 | 1090 | 250 | 230/750 | 45 |
| 750 | 1090 | 250 | 230/750 K | 46 |
| 750 | 1090 | 335 | NNU 40/750 KM/W33 | 37 |
| 750 | 1090 | 335 | NNU 40/750 M/W33 | 37 |
| 750 | 1090 | 335 | 240/750 | 45 |
| 750 | 1090 | 335 | 240/750 K30 | 46 |
| 750 | 1090 | 750 | FCDP 150218750 | 42 |
| 750 | 1120 | 224 | 293/750 M | 58 |
| 750 | 1133 | 670 | FCDP 150226670 | 42 |
| 750 | 1220 | 365 | 231/750 | 45 |
| 750 | 1220 | 365 | 231/750 K | 46 |
| 750 | 1220 | 475 | NNU 41/750 K30M/W33 | 37 |
| 750 | 1220 | 475 | NNU 41/750 M/W33 | 37 |
| 750 | 1220 | 475 | 241/750 | 45 |
| 750 | 1220 | 475 | 241/750 K30 | 46 |
| 750 | 1280 | 315 | 294/750 M | 58 |
| 750 | 1360 | 475 | 232/750 | 45 |
| 750 | 1360 | 475 | 232/750 K | 46 |
| 759,925 | 889 | 69,85 | LL483488/LL483418 | 43 |
| 760 | 889 | 88,90 | L183448/L183410 | 43 |
| 760 | 890 | 78 | 306/760 | 43 |
| 760 | 1015 | 700 | FCDP 152203700 | 42 |
| 760 | 1030 | 750 | FCDP 152206750 | 42 |
| 760 | 1080 | 790 | FCDP 152216790 | 42 |
| 760 | 1080 | 805 | FCDP 152216790 | 42 |
| 762 | 889 | 88,90 | L183449/L183410 | 43 |
| 774,70 | 965,20 | 93,662 | EE752305/752380 | 43 |
| 780 | 1070 | 780 | FCDP 156214780 | 42 |
| 800 | 950 | 90 | 591/800/351589 A | 51 |
| 800 | 980 | 57 | 608/800 | 4 |
| 800 | 980 | 82 | 618/800 MA | 4 |
| 800 | 980 | 180 | 248/800 | 45 |
| 800 | 980 | 180 | 248/800 K30 | 46 |
| 800 | 1060 | 115 | 619/800 MA | 4 |
| 800 | 1060 | 150 | NU 29/800 | 32 |
| 800 | 1060 | 155 | 292/800 M | 58 |
| 800 | 1060 | 195 | 239/800 | 45 |
| 800 | 1060 | 195 | 239/800 K | 46 |
| 800 | 1060 | 258 | 249/800 | 45 |
| 800 | 1060 | 258 | 249/800 K30 | 46 |
| 800 | 1080 | 700 | FCDP 160216700 | 42 |
| 800 | 1080 | 750 | FCDP 160216750 | 42 |
| 800 | 1150 | 155 | 60/800 N1MAS | 4 |
| 800 | 1150 | 200 | NU 20/800 | 32 |
| 800 | 1150 | 258 | 230/800 | 45 |
| 800 | 1150 | 258 | 230/800 K | 46 |
| 800 | 1150 | 345 | NNU 40/800 KM/W33 | 37 |
| 800 | 1150 | 345 | NNU 40/800 M/W33 | 37 |
| 800 | 1150 | 345 | 240/800 | 45 |
| 800 | 1150 | 345 | 240/800 K30 | 46 |
| 800 | 1180 | 230 | 293/800 M | 58 |
| 800 | 1280 | 375 | 231/800 | 45 |

| Dimension (mm) Dimensioni (mm) | | | Designation Sigla | Fig. |
|-----------------------------------|---------|--------|----------------------------|------|
| d | D | B | | |
| 800 | 1280 | 375 | 231/800 K | 46 |
| 800 | 1280 | 475 | NNU 41/800 K30M/W33 | 37 |
| 800 | 1280 | 475 | NNU 41/800 M/W33 | 37 |
| 800 | 1280 | 475 | 241/800 | 45 |
| 800 | 1280 | 475 | 241/800 K30 | 46 |
| 800 | 1360 | 335 | 294/800 M | 58 |
| 801,688 | 914,40 | 58,738 | LL584449/LL584410 | 43 |
| 820 | 1130 | 800 | FCDP 164226800 | 42 |
| 820 | 1160 | 840 | FCDP 164232840 | 42 |
| 838,20 | 1041,40 | 93,662 | EE763330/763410 | 43 |
| 840 | 1160 | 840 | FCDP 168232840 | 42 |
| 850 | 1000 | 90 | 591/850 | 51 |
| 850 | 1030 | 57 | 608/850 | 4 |
| 850 | 1030 | 82 | 618/850 MA | 4 |
| 850 | 1030 | 90 | 318/850 | 43 |
| 850 | 1030 | 106 | NU 28/850 | 32 |
| 850 | 1030 | 136 | 238/850 | 45 |
| 850 | 1030 | 136 | 238/850 K | 46 |
| 850 | 1120 | 118 | 619/850 | 4 |
| 850 | 1120 | 118 | NU 19/850 | 32 |
| 850 | 1120 | 118 | NJ 19/850 | 33 |
| 850 | 1120 | 155 | NU 29/850 | 32 |
| 850 | 1120 | 155 | N 29/850 | 35 |
| 850 | 1120 | 160 | 292/850 M | 58 |
| 850 | 1120 | 200 | 239/850 | 45 |
| 850 | 1120 | 200 | 239/850 K | 46 |
| 850 | 1120 | 272 | 249/850 | 45 |
| 850 | 1120 | 272 | 249/850 K30 | 46 |
| 850 | 1150 | 840 | FCDP 170230840 | 42 |
| 850 | 1180 | 650 | FCDP 170236650 | 42 |
| 850 | 1180 | 850 | FCDP 170236850 | 42 |
| 850 | 1180 | 875 | FCDP 170236850 | 42 |
| 850 | 1220 | 165 | 60/850 | 4 |
| 850 | 1220 | 272 | 230/850 | 45 |
| 850 | 1220 | 272 | 230/850 K | 46 |
| 850 | 1220 | 365 | NNU 40/850 KM/W33 | 37 |
| 850 | 1220 | 365 | NNU 40/850 M/W33 | 37 |
| 850 | 1220 | 365 | 240/850 | 45 |
| 850 | 1220 | 365 | 240/850 K30 | 46 |
| 850 | 1360 | 400 | 231/850 | 45 |
| 850 | 1360 | 400 | 231/850 K | 46 |
| 850 | 1360 | 500 | NNU 41/850 K30M/W33 | 37 |
| 850 | 1360 | 500 | NNU 41/850 M/W33 | 37 |
| 850 | 1360 | 500 | 241/850 | 45 |
| 850 | 1360 | 500 | 241/850 K30 | 46 |
| 850 | 1440 | 354 | 294/850 M | 58 |
| 860 | 1140 | 750 | FCDP 172228750 | 42 |
| 860 | 1160 | 735 | FCDP 172232710 | 42 |
| 880 | 1140 | 80 | FCDP 176228800 | 42 |
| 900 | 960 | 1180 | 353002 | 59 |
| 900 | 1090 | 85 | 618/900 MA | 4 |
| 900 | 1090 | 85 | NU 18/900 | 32 |
| 900 | 1090 | 112 | N 28/900 | 35 |
| 900 | 1090 | 190 | 248/900 | 45 |
| 900 | 1090 | 190 | 248/900 K30 | 46 |
| 900 | 1180 | 122 | 619/900 | 4 |

| Dimension (mm) Dimensioni (mm) | | | Designation Sigla | Fig. |
|-----------------------------------|---------|-------|----------------------|------|
| d | D | B | | |
| 900 | 1180 | 122 | NU 19/900 M | 32 |
| 900 | 1180 | 122 | T3GB900 | 43 |
| 900 | 1180 | 165 | NU 29/900 | 32 |
| 900 | 1180 | 206 | 239/900 | 45 |
| 900 | 1180 | 206 | 239/900 K | 46 |
| 900 | 1220 | 840 | FCDP 180244840 | 42 |
| 900 | 1280 | 170 | 60/900 | 4 |
| 900 | 1280 | 190 | 306/900 | 43 |
| 900 | 1280 | 280 | 230/900 | 45 |
| 900 | 1280 | 280 | 230/900 K | 46 |
| 900 | 1280 | 375 | NUU 40/900 KM/W33 | 37 |
| 900 | 1280 | 375 | NUU 40/900 M/W33 | 37 |
| 900 | 1280 | 375 | 240/900 | 45 |
| 900 | 1280 | 375 | 240/900 K30 | 46 |
| 900 | 1280 | 780 | FCDP 180256780 | 42 |
| 900 | 1280 | 930 | FCDP 180256930 | 42 |
| 900 | 1280 | 1050 | FCDP 180256840 | 42 |
| 900 | 1420 | 515 | NUU 41/900 K30M/W33 | 37 |
| 900 | 1420 | 515 | NUU 41/900 M/W33 | 37 |
| 900 | 1420 | 515 | 241/900 | 45 |
| 900 | 1420 | 515 | 241/900 K30 | 46 |
| 900 | 1520 | 372 | 294/900 M | 58 |
| 920 | 1280 | 815 | FCDP 184256800 | 42 |
| 920 | 1280 | 865 | FCDP 184256850 | 42 |
| 920 | 1300 | 975 | FCDP 184268950 | 42 |
| 928 | 1060 | 92 | JL286948H/JL286910 | 43 |
| 930 | 1060 | 92 | JL286949H/JL286910 | 43 |
| 950 | 1120 | 103 | 591/950 | 51 |
| 950 | 1150 | 90 | 618/950 F1 | 4 |
| 950 | 1250 | 132 | 619/950 | 4 |
| 950 | 1250 | 175 | NU 29/950 | 32 |
| 950 | 1250 | 180 | 292/950 M | 58 |
| 950 | 1250 | 224 | 239/950 | 45 |
| 950 | 1250 | 224 | 239/950 K | 46 |
| 950 | 1250 | 300 | 249/950 | 45 |
| 950 | 1250 | 300 | 249/950 K30 | 46 |
| 950 | 1300 | 850 | FCDP 190260850 | 42 |
| 950 | 1360 | 180 | 60/950 | 4 |
| 950 | 1360 | 300 | 230/950 | 45 |
| 950 | 1360 | 300 | 230/950 K | 46 |
| 950 | 1360 | 412 | NUU 40/950 KM/W33 | 37 |
| 950 | 1360 | 412 | NUU 40/950 M/W33 | 37 |
| 950 | 1360 | 412 | 240/950 | 45 |
| 950 | 1360 | 412 | 240/950 K30 | 46 |
| 950 | 1360 | 975 | FCDP 190272975 | 42 |
| 950 | 1360 | 1000 | FCDP 1902721000 | 42 |
| 950 | 1500 | 545 | NUU 41/950 K30M/W33 | 37 |
| 950 | 1500 | 545 | NUU 41/950 M/W33 | 37 |
| 950 | 1500 | 545 | 241/950 | 45 |
| 950 | 1500 | 545 | 241/950 K30 | 46 |
| 950 | 1600 | 390 | 294/950 M | 58 |
| 977,90 | 1130,30 | 66,68 | LL687949/LL687910 | 43 |
| 980 | 1120 | 120 | BD1B 351883 | 51 |
| 980 | 1310 | 880 | FCDP 196262880 | 42 |
| 1000 | 1180 | 109 | 591/1000/351395 | 51 |
| 1000 | 1220 | 71 | 608/1000 | 4 |

| Dimension (mm) Dimensioni (mm) | | | Designation Sigla | Fig. |
|-----------------------------------|------|--------|----------------------|------|
| d | D | B | | |
| 1000 | 1220 | 100 | 618/1000 MA | 4 |
| 1000 | 1220 | 100 | NU 18/1000 | 32 |
| 1000 | 1220 | 165 | 238/1000 | 45 |
| 1000 | 1220 | 165 | 238/1000 K | 46 |
| 1000 | 1320 | 103 | 609/1000 | 4 |
| 1000 | 1320 | 140 | 619/1000 | 4 |
| 1000 | 1320 | 185 | NU 29/1000 | 32 |
| 1000 | 1320 | 315 | NN 49/1000 K/W33X | 37 |
| 1000 | 1320 | 315 | NN 49/1000/W33X | 37 |
| 1000 | 1320 | 315 | 249/1000 | 45 |
| 1000 | 1320 | 315 | 249/1000 K30 | 46 |
| 1000 | 1360 | 800 | FCDP 200272800 | 42 |
| 1000 | 1420 | 185 | 60/1000 | 4 |
| 1000 | 1420 | 210 | 306/1000 | 43 |
| 1000 | 1420 | 308 | 230/1000 | 45 |
| 1000 | 1420 | 308 | 230/1000 K | 46 |
| 1000 | 1420 | 412 | NUU 40/1000 KM/W33 | 37 |
| 1000 | 1420 | 412 | NUU 40/1000 M/W33 | 37 |
| 1000 | 1420 | 412 | 240/1000 | 45 |
| 1000 | 1420 | 412 | 240/1000 K30 | 46 |
| 1000 | 1580 | 462 | 231/1000 | 45 |
| 1000 | 1580 | 462 | 231/1000 K | 46 |
| 1000 | 1580 | 580 | NUU 41/1000 K30M/W33 | 37 |
| 1000 | 1580 | 580 | NUU 41/1000 M/W33 | 37 |
| 1000 | 1580 | 580 | 241/1000 | 45 |
| 1000 | 1580 | 580 | 241/1000 K30 | 46 |
| 1000 | 1670 | 402 | 294/1000 M | 58 |
| 1016 | 1270 | 101,60 | EE168400/168500 | 43 |
| 1030 | 1380 | 850 | FCDP 206276850 | 42 |
| 1040 | 1440 | 1000 | FCDP 2082881000 | 42 |
| 1060 | 1280 | 100 | 618/1060 MA | 4 |
| 1060 | 1280 | 128 | N 28/1060 | 35 |
| 1060 | 1280 | 165 | 238/1060 | 45 |
| 1060 | 1280 | 165 | 238/1060 K | 46 |
| 1060 | 1280 | 218 | 248/1060 | 45 |
| 1060 | 1280 | 218 | 248/1060 K | 46 |
| 1060 | 1400 | 150 | 619/1060 | 4 |
| 1060 | 1400 | 195 | NU 29/1060 M | 32 |
| 1060 | 1400 | 206 | 292/1060 M | 58 |
| 1060 | 1400 | 250 | NU 39/1060 M | 32 |
| 1060 | 1400 | 250 | 239/1060 | 45 |
| 1060 | 1400 | 250 | 239/1060 K | 46 |
| 1060 | 1400 | 335 | 249/1060 | 45 |
| 1060 | 1400 | 335 | 249/1060 K | 46 |
| 1060 | 1500 | 195 | 60/1060 | 4 |
| 1060 | 1500 | 325 | 230/1060 | 45 |
| 1060 | 1500 | 325 | 230/1060 K | 46 |
| 1060 | 1500 | 438 | 240/1060 | 45 |
| 1060 | 1500 | 438 | 240/1060 K | 46 |
| 1060 | 1660 | 600 | NUU 41/1060 K30M/W33 | 37 |
| 1060 | 1660 | 600 | NUU 41/1060 M/W33 | 37 |
| 1060 | 1770 | 426 | 294/1060 M | 58 |
| 1120 | 1360 | 106 | 618/1120 MA | 4 |
| 1120 | 1360 | 140 | N 28/1120 | 35 |
| 1120 | 1360 | 243 | 248/1120 | 45 |
| 1120 | 1360 | 243 | 248/1120 K | 46 |

| Dimension (mm) Dimensioni (mm) | | | Designation Sigla | Fig. |
|-----------------------------------|------|------|-----------------------------|------|
| d | D | B | | |
| 1120 | 1460 | 150 | 619/1120 | 4 |
| 1120 | 1460 | 335 | 249/1120 | 45 |
| 1120 | 1460 | 335 | 249/1120 K | 46 |
| 1120 | 1580 | 200 | 60/1120 | 4 |
| 1120 | 1580 | 345 | NU 30/1120 | 32 |
| 1120 | 1580 | 462 | 240/1120 | 45 |
| 1120 | 1580 | 462 | 240/1120 K | 46 |
| 1120 | 1750 | 630 | NNU 41/1120 K30M/W33 | 37 |
| 1120 | 1750 | 630 | NNU 41/1120 M/W33 | 37 |
| 1180 | 1420 | 106 | 618/1180 MB | 4 |
| 1180 | 1420 | 106 | NJ 18/1180 | 33 |
| 1180 | 1420 | 180 | 238/1180 | 45 |
| 1180 | 1420 | 180 | 238/1180 K | 46 |
| 1180 | 1420 | 243 | 248/1180 | 45 |
| 1180 | 1420 | 243 | 248/1180 K | 46 |
| 1180 | 1520 | 206 | 292/1180 M | 58 |
| 1180 | 1540 | 160 | 619/1180 | 4 |
| 1180 | 1540 | 206 | NU 29/1180 | 32 |
| 1180 | 1540 | 272 | N 39/1180 | 35 |
| 1180 | 1540 | 272 | 239/1180 | 45 |
| 1180 | 1540 | 272 | 239/1180 K | 46 |
| 1180 | 1540 | 355 | 249/1180 | 45 |
| 1180 | 1540 | 355 | 249/1180 K | 46 |
| 1180 | 1850 | 670 | NNU 41/1180 K30M/W33 | 37 |
| 1180 | 1850 | 670 | NNU 41/1180 M/W33 | 37 |
| 1200 | 1590 | 1050 | FCDP 2403181050 | 42 |
| 1250 | 1500 | 112 | 618/1250 | 4 |
| 1250 | 1500 | 150 | 351006 A | 51 |
| 1250 | 1750 | 290 | N 20/1250 | 35 |
| 1250 | 1750 | 375 | 230/1250 | 45 |
| 1250 | 1750 | 375 | 230/1250 K | 46 |
| 1250 | 1800 | 330 | 293/1250 M | 58 |
| 1250 | 1950 | 710 | NNU 41/1250 K30M/W33 | 37 |
| 1250 | 1950 | 710 | NNU 41/1250 M/W33 | 37 |
| 1270 | 1465 | 73 | 306/1270 | 43 |
| 1270 | 1465 | 100 | 306/1270-1 | 43 |
| 1280 | 1560 | 150 | 66/1280 F1 | 4 |
| 1300 | 1655 | 890 | FCDP 260331880 | 42 |
| 1320 | 1600 | 122 | 618/1320 F3 | 4 |
| 1320 | 1600 | 122 | NU 18/1320 | 32 |
| 1320 | 1600 | 280 | 248/1320 | 45 |
| 1320 | 1600 | 280 | 248/1320 K | 46 |
| 1320 | 1720 | 128 | 609/1320 | 4 |
| 1320 | 1720 | 230 | NU 29/1320 | 32 |
| 1320 | 1720 | 300 | N 39/1320 | 35 |
| 1320 | 1720 | 400 | NN 49/1320 K/W33 | 37 |
| 1320 | 1720 | 400 | NN 49/1320 W33 | 37 |
| 1320 | 1720 | 400 | 249/1320 | 45 |
| 1320 | 1720 | 400 | 249/1320 K | 46 |
| 1320 | 1850 | 400 | N 30/1320 | 35 |
| 1320 | 2060 | 750 | NNU 41/1320 K30M/W33 | 37 |
| 1320 | 2060 | 750 | NNU 41/1320 M/W33 | 37 |
| 1350 | 1765 | 1360 | FCDP 2703531360 | 42 |
| 1380 | 1540 | 130 | BD1B 351890 A | 51 |
| 1400 | 1630 | 180 | 511/1400 | 51 |
| 1400 | 1700 | 132 | 618/1400 | 4 |

| Dimension (mm) Dimensioni (mm) | | | Designation Sigla | Fig. |
|-----------------------------------|------|------|-----------------------------|------|
| d | D | B | | |
| 1400 | 1780 | 1200 | FCDP 2703561200 | 42 |
| 1400 | 1820 | 185 | 619/1400 | 4 |
| 1400 | 1900 | 1360 | FCDP 2703801360 | 42 |
| 1400 | 2180 | 775 | NNU 41/1400 K30M/W33 | 37 |
| 1400 | 2180 | 775 | NNU 41/1400 M/W33 | 37 |
| 1420 | 1620 | 100 | 351346 B | 51 |
| 1500 | 1820 | 140 | 618/1500 MB | 4 |
| 1500 | 1820 | 140 | NU 18/1500 | 32 |
| 1500 | 1820 | 315 | 248/1500 | 45 |
| 1500 | 1820 | 315 | 248/1500 K | 46 |
| 1500 | 1950 | 195 | 619/1500 | 4 |
| 1500 | 2300 | 800 | NNU 41/1500 K30M/W33 | 37 |
| 1500 | 2300 | 800 | NNU 41/1500 M/W33 | 37 |
| 1600 | 1950 | 155 | 618/1600 | 4 |
| 1600 | 2060 | 200 | 619/1600 | 4 |
| 1600 | 2280 | 408 | 293/1600 M | 58 |
| 1700 | 2060 | 160 | 618/1700 | 4 |
| 1700 | 2060 | 160 | NU 18/1700 | 32 |
| 1700 | 2180 | 212 | 619/1700 | 4 |
| 1800 | 1950 | 120 | 510/1800 | 51 |
| 1800 | 2180 | 375 | 248/1800 | 45 |
| 1800 | 2180 | 375 | 248/1800 K | 46 |
| 1900 | 2300 | 175 | N 18/1900 | 35 |

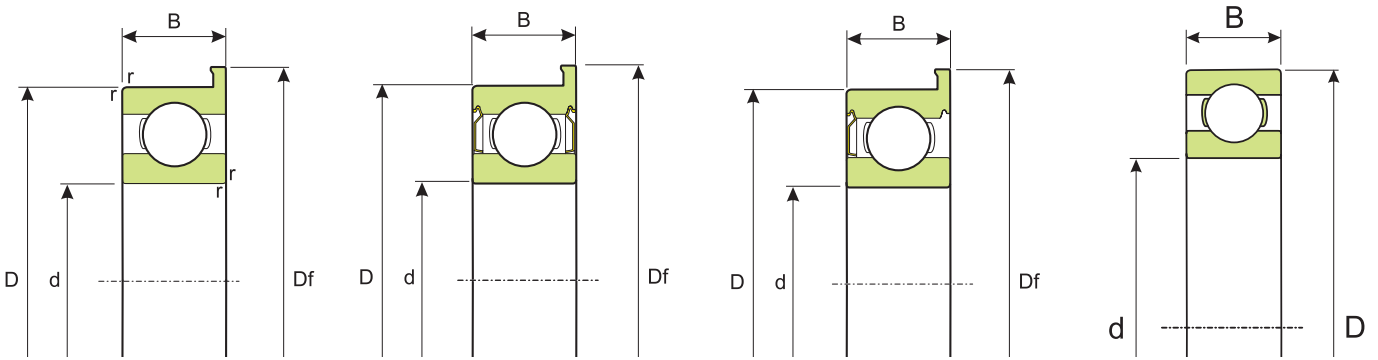


Fig.1

Fig.2

Fig.3

Fig.4

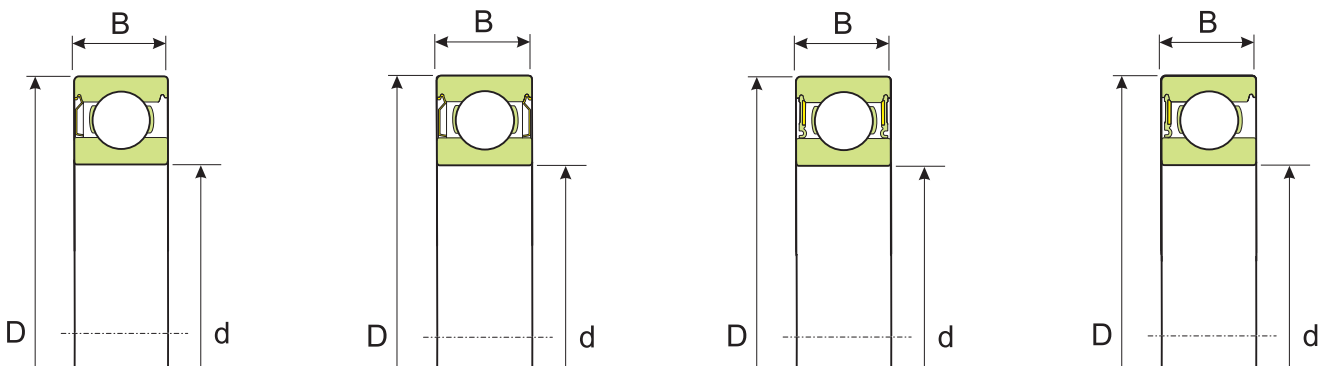


Fig.5

Fig.6

Fig.7

Fig.8

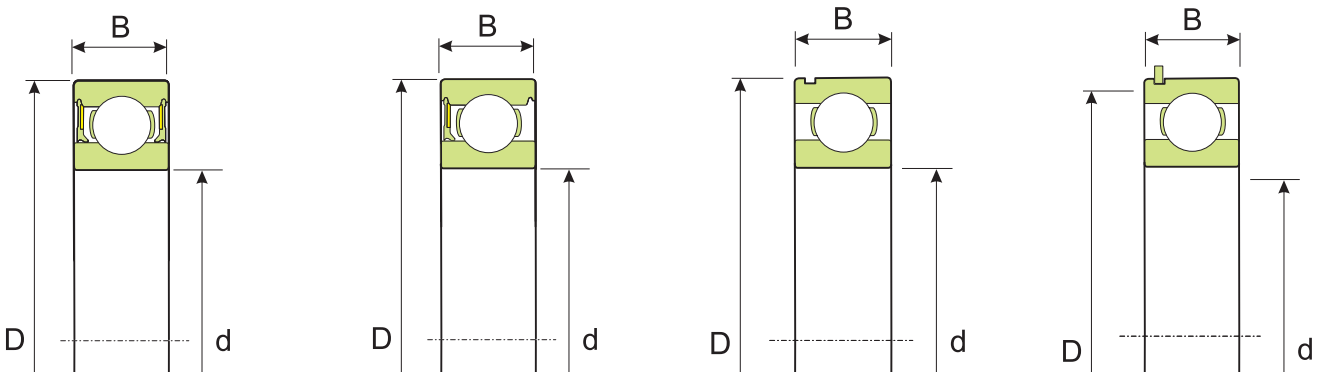


Fig.9

Fig.10

Fig.11

Fig.12

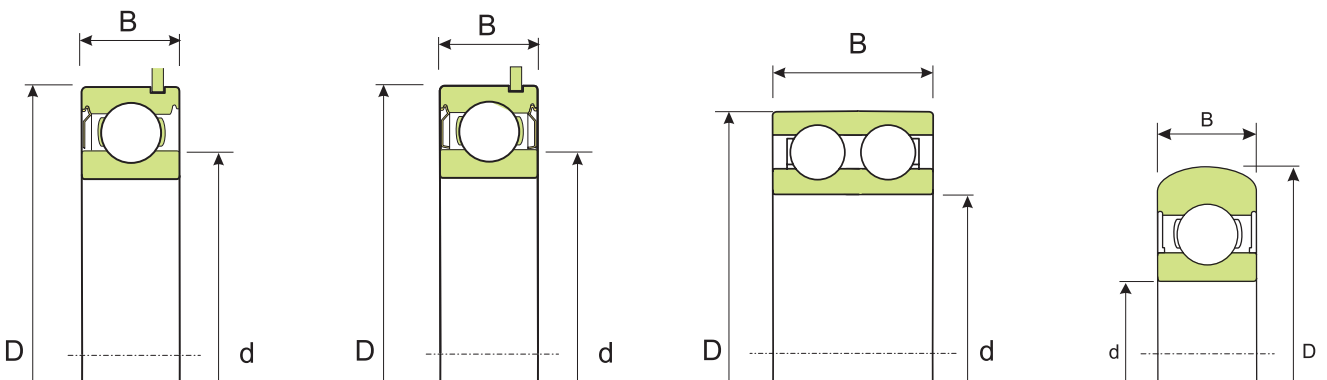


Fig.13

Fig.14

Fig.15

Fig.16

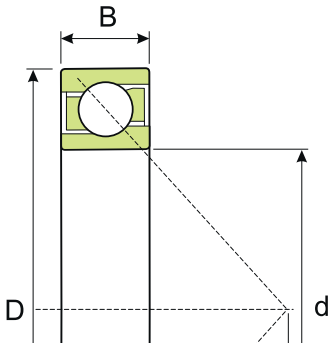


Fig.17

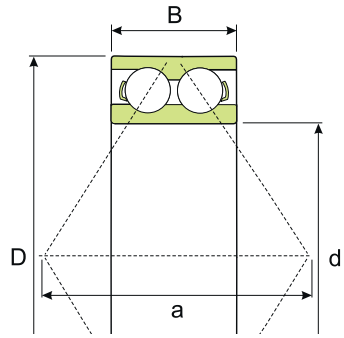


Fig.18

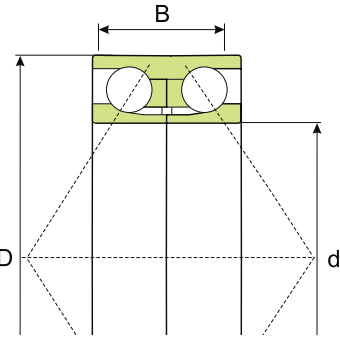


Fig.19

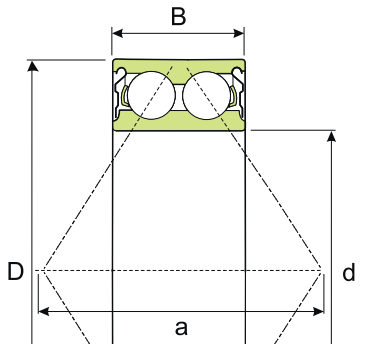


Fig.20

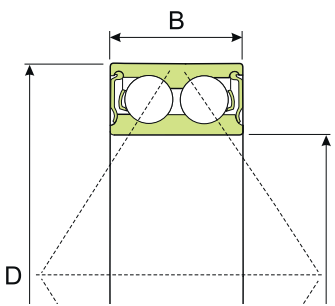


Fig.21

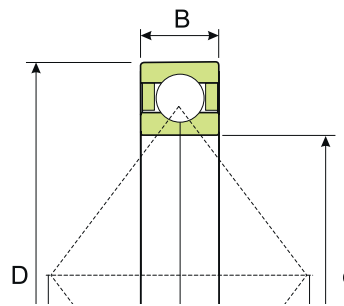


Fig.22

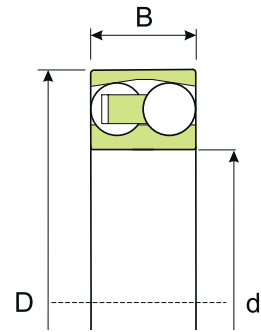


Fig.23

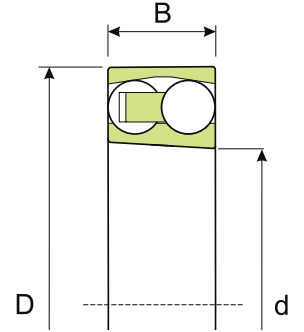


Fig.24

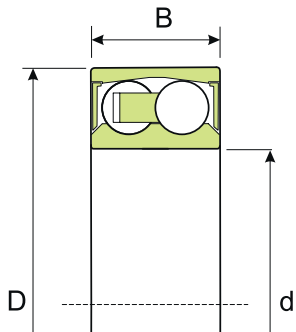


Fig.25

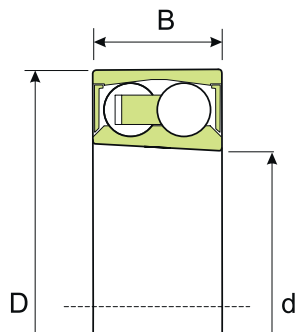


Fig.26

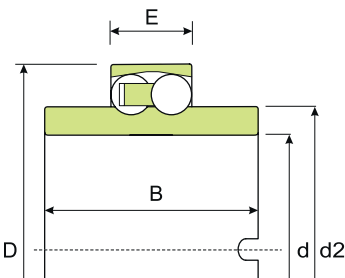


Fig.27

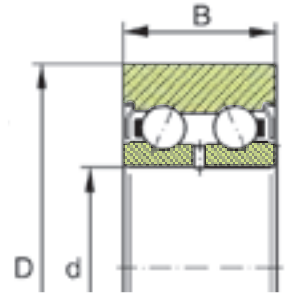


Fig.28

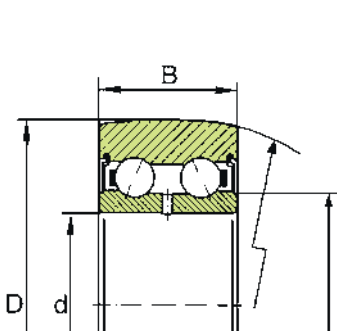


Fig.29

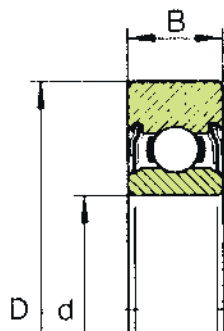


Fig.30

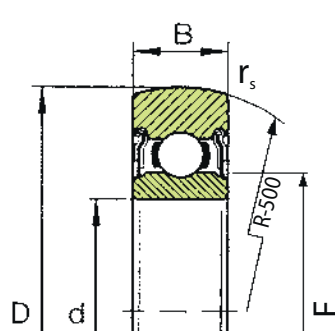


Fig.31

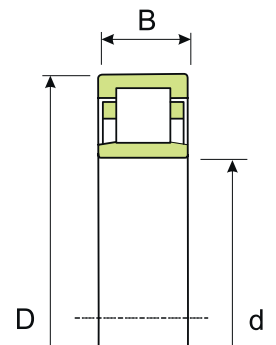


Fig.32

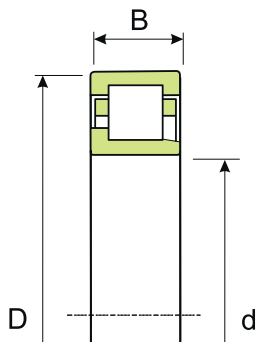


Fig.33

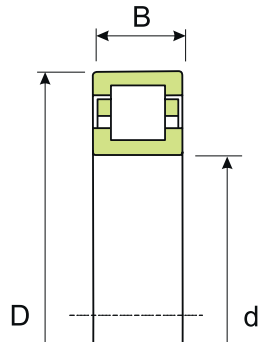


Fig.34

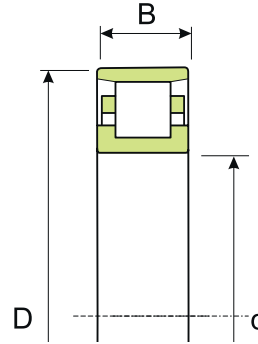


Fig.35

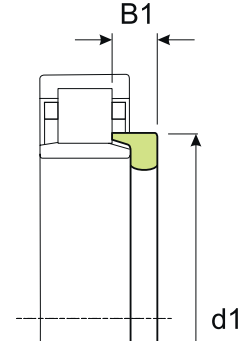


Fig.36

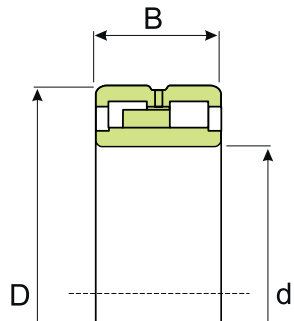


Fig.37

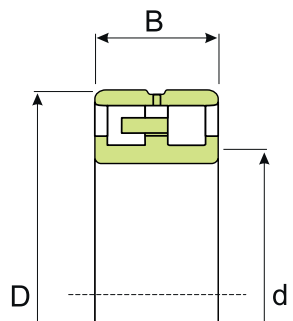


Fig.38

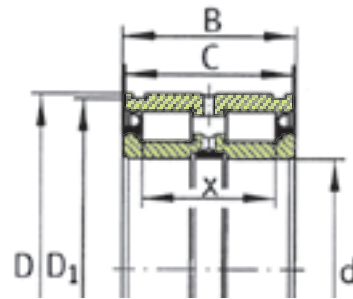


Fig.39

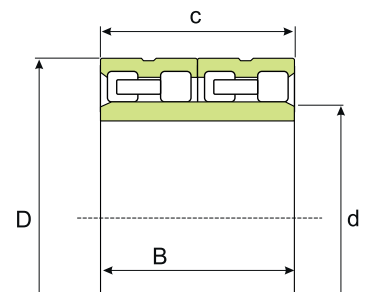


Fig.40

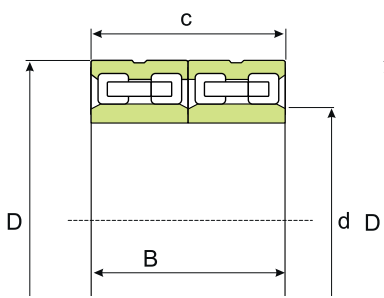


Fig.41

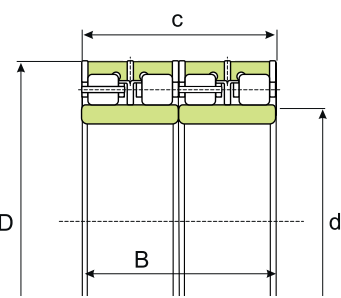


Fig.42

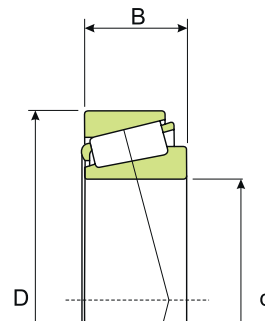


Fig.43

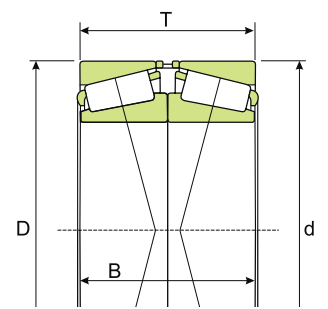


Fig.44

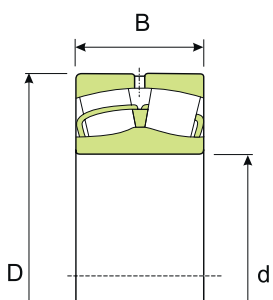


Fig.45

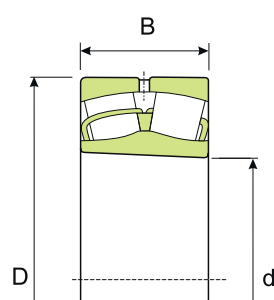


Fig.46

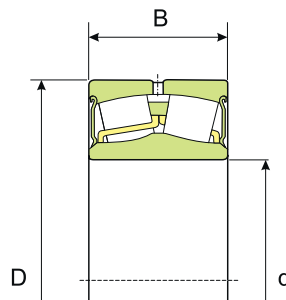


Fig.47

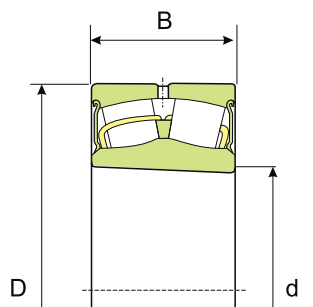


Fig.48

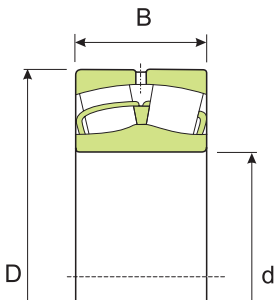


Fig.49

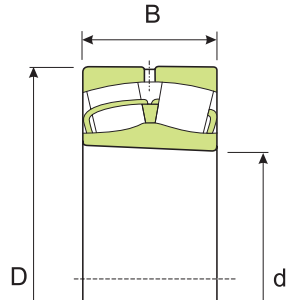


Fig.50

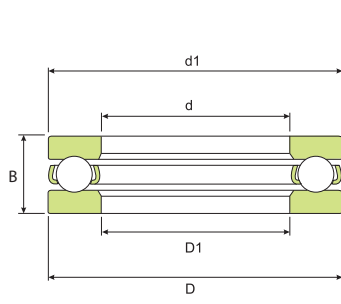


Fig.51

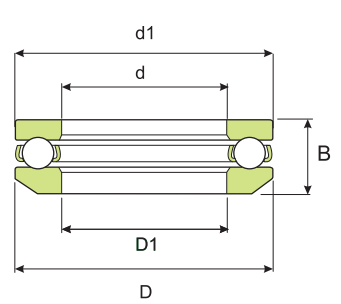


Fig.52

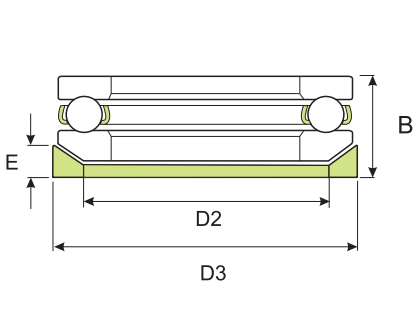


Fig.53

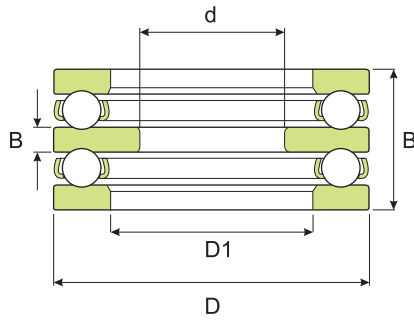


Fig.54

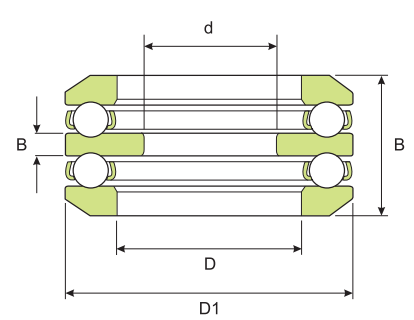


Fig.55

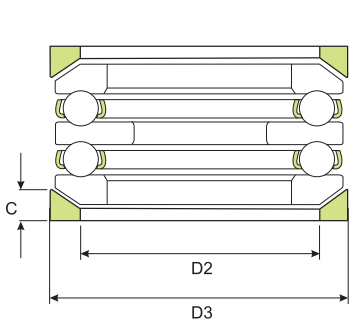


Fig.56

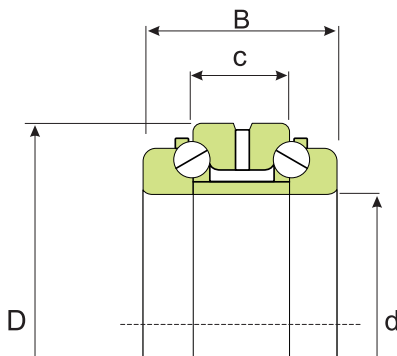


Fig.57

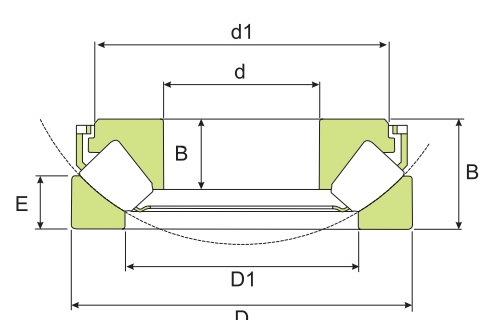


Fig.58

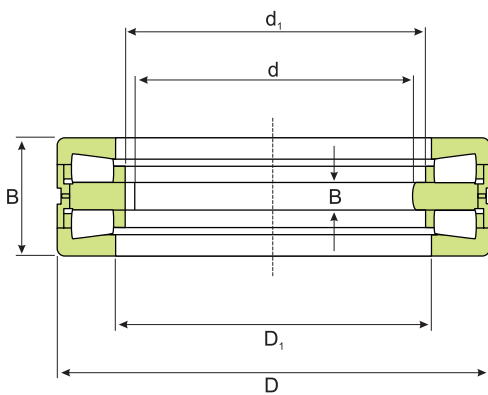


Fig.59

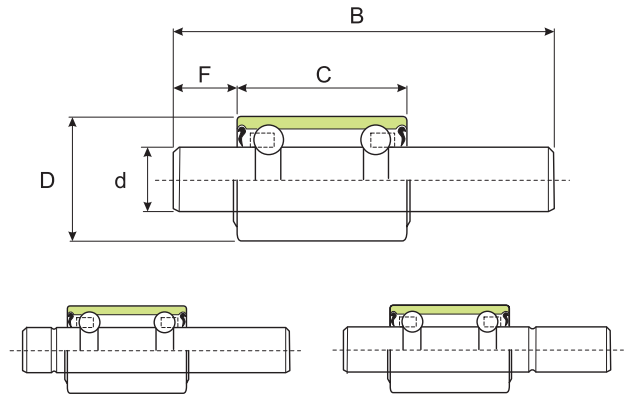


Fig.60

WA LOCATIONS

Unit 1 / 45 Inspiration Drive, Wangara WA 6065
(08) 9303 4966

Unit 16 / 51-53 Kewdale Road, Welshpool WA 6106
(08) 6314 1155

support@chainanddrives.com.au

NSW LOCATION

Unit 7 / 70 Holbeche Road, Arndell Park NSW 2148
(02) 9674 8611

salesnsw@chainanddrives.com.au