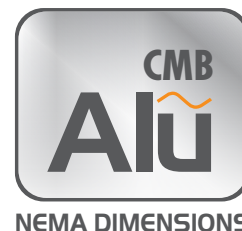


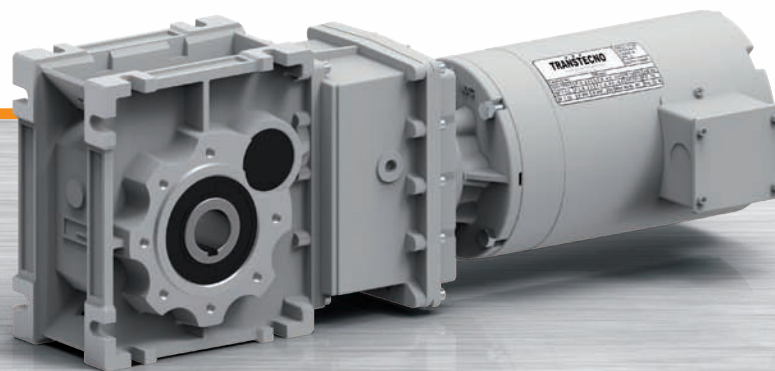
TRANSTECNO[®]
THE MODULAR GEARMOTOR

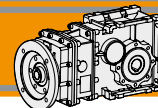
CMB

CMB



**REDUCTORES ORTOGONALES
DE ENGRANAJES HELICOIDALES**
HELICAL BEVEL GEARBOXES





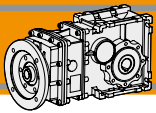
Índice	Index	Pág. Page
Características técnicas	<i>Technical features</i>	C2
Clasificación	<i>Classification</i>	C2
Sentidos de rotación	<i>Direction of rotation</i>	C3
Nomenclatura	<i>Legend</i>	C3
Lubricación	<i>Lubrication</i>	C4
Cargas radiales	<i>Radial loads</i>	C4
Datos técnicos	<i>Technical data</i>	C6
Dimensiones	<i>Dimensions</i>	C16
Accesorios	<i>Accessories</i>	C20



Esta sección substituye y anula las ediciones y revisiones previas. Si usted obtiene este catálogo a través de canales de distribución no autorizados o fuera de nuestro control, la versión en vigor no estará garantizada. **En todo caso, la versión más actualizada está disponible en nuestra página de internet www.transtecno.com**

*This section replaces any previous edition and revision. If you obtained this catalogue other than through controlled distribution channels, the most up to date content is not guaranteed. **In this case the latest version is available on our web site www.transtecno.com***





Características técnicas

Los reductores ortogonales de engranajes helicoidales serie CMB se caracterizan por un alto grado de modularidad, de hecho, fueron desarrollados con una carcasa completamente intercambiable con la de los reductores de tornillo sinfin de la serie CM. Por lo tanto, se configuran de acuerdo con las necesidades de la aplicación: con brida de salida, eje de salida, brazo de reacción.

Características comunes a toda la serie:

- Carcasa en aluminio en los tamaños.
- Engranajes siempre rectificadas.
- Lubricación permanente con aceite sintético de larga vida..

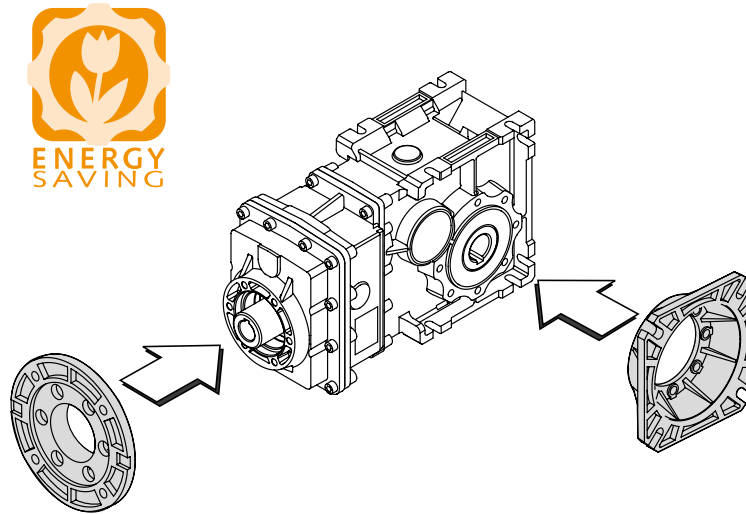
Technical features

The high degree of modularity of CMB helical bevel gearbox allows it to be completely interchangeable with CM wormgearboxes.

With this feature, output flanges, output shafts and torque arms can be interchanged as required.

Common features of all CMB range are:

- Die-cast aluminum housing.
- Ground helical gears.
- Permanently filled with synthetic oil for long life lubrication.

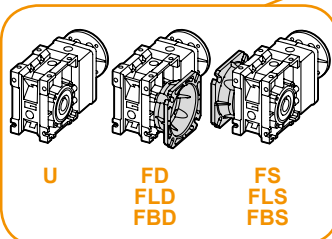


Clasificación

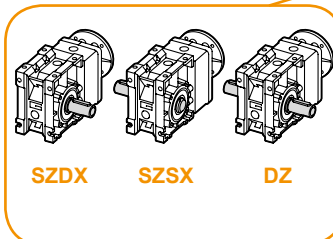
Classification

REDUCTOR / GEARBOX								
CMB	63	3	U	9.81	56C	SZDX	BRSX	90°
Tipo Type	Tamaño Size	Etapas Stages	Versión Version	Relación de reducción Ratio		Eje de salida Output shaft	Brazo de reacción Torque arm	Ángulo Angle
CMB 	40 50 63 90	2 3	U FD FS FBD FLD FLS	véase tablas see tables	56C 140TC 180TC 210TC	SZDX SZSX DZ	BRSX BRDX	0° 90° 180° 270°

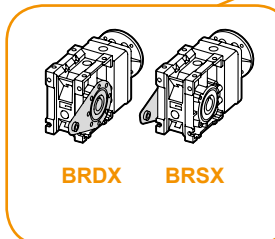
Relación de reducción
Gearbox Version



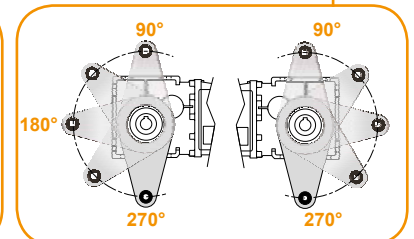
Eje de salida
Output shaft



Brazo de reacción
Torque arm



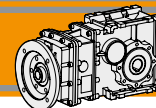
Posición del Brazo
Torque arm position



F....D = Lado derecho / Right side
FL = Brida larga / Long flange
F....S = Lado izquierdo / Left side
FB = Brida corta / Short flange

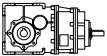
SZDX = Flecha sencilla lado derecho
Single shaft right side
DZ = Flecha doble / Double shaft
SZSX = Flecha sencilla lado izquierdo
Single shaft left side

BRDX = Lado derecho / Right side
BRSX = Lado izquierdo / Left side

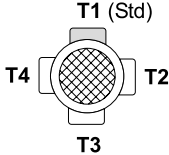


Clasificación

Classification

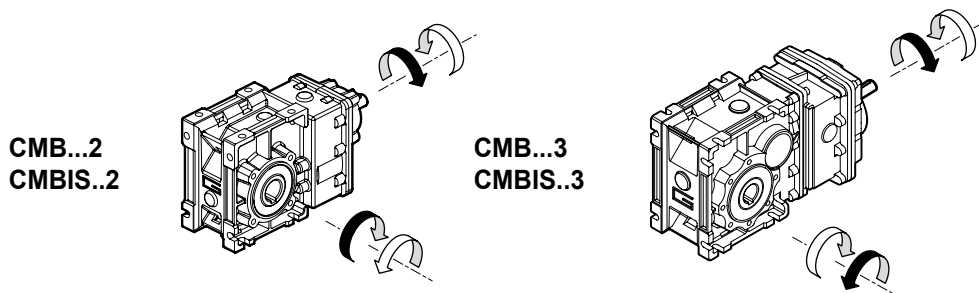
REDUCTOR / GEARBOX							
CMB	63	3	U	9.81	SZDX	BRSX	90°
Tipo Type	Tamaño Size	Etapas Stages	Versión Version	Relación de reducción Ratio	Eje de salida Output shaft	Brazo de reacción Torque arm	Ángulo Angle
CMBIS 	40 50 63 90	2 3	U FD FS FBD FBS FLD FLS	véase tablas see tables	SZDX SZSX DZ	BRSX BRDX	0° 90° 180° 270°

CMB

MOTOR / MOTOR						
1 hp / 0.75 kW	4p	3ph	220/440V	60Hz	T1	
Potencia Power	Polos Poles	Fases Phases	Tensión Voltage	Frecuencia Frequency	Posición caja de bornes Terminal box pos.	
véase tablas see tables	2p 4p 6p 8p	1ph 3ph	230V 230/400V 220/440V	50Hz 60Hz		

Sentido de rotación

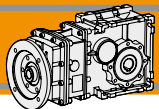
Direction of rotation



Nomenclatura

Legend

n_1	[rpm]	Velocidad de entrada / <i>Input speed</i>
n_2	[rpm]	Velocidad de salida / <i>Output speed</i>
i		Relación de reducción / <i>Ratio</i>
P_1	[kW]	Potencia en la entrada / <i>Input power</i>
M_2	[Nm]	Par en la salida en función de P_1 / <i>Output torque referred to P_1</i>
P_{n1}	[kW]	Potencia nominal en la entrada / <i>Nominal input power</i>
M_{n2}	[Nm]	Par nominal en la salida en función de P_{n1} / <i>Nominal output torque referred to P_{n1}</i>
sf		Rendimiento dinámico / <i>Service factor</i>
R_2	[N]	Carga radial admisible en la salida / <i>Maximum output radial load</i>
A_2	[N]	Carga axial admisible en la salida / <i>Maximum output axial load</i>



Lubricación

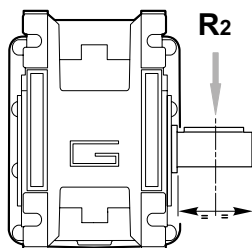
Todos los engranajes en los tamaños 402, 502, 633 y 903 se suministran con lubricante sintético, viscosidad 320, por lo que se pueden instalar en cualquier posición de montaje y no requieren mantenimiento.

Lubrication

Permanently filled with synthetic oil for long-life lubrication (viscosity grade 320) makes it possible to use CMB gearboxes in all mounting positions; for this reason they can be installed in any assembly position and do not require maintenance.

Cargas radiales

Radial loads

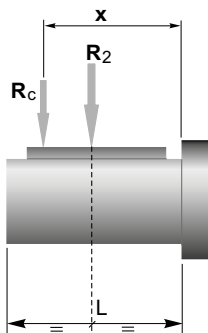


$A_2 = R_2 \times 0.2$

n ₂ [rpm]	R ₂ [lb]			
	CMB 402	CMB 502	CMB 633	CMB 903
400	204	251	413	603
300	224	276	454	664
200	256	316	520	760
170	271	334	549	802
140	318	392	585	856
100	356	438	655	1053
90	368	454	747	1091
60	460	560	855	1249
40	567	681	1010	1487
30	625	749	1160	1695
20	715	858	1328	1940
15	787	944	1461	2136
10	787	944	1461	2136

Cuando la carga radial no se aplica en el punto medio del eje, es necesario calcular la carga efectiva a través la siguiente fórmula:

When the radial load is not applied on the centre line of the shaft it is necessary to calculate the effective load with the following formula:

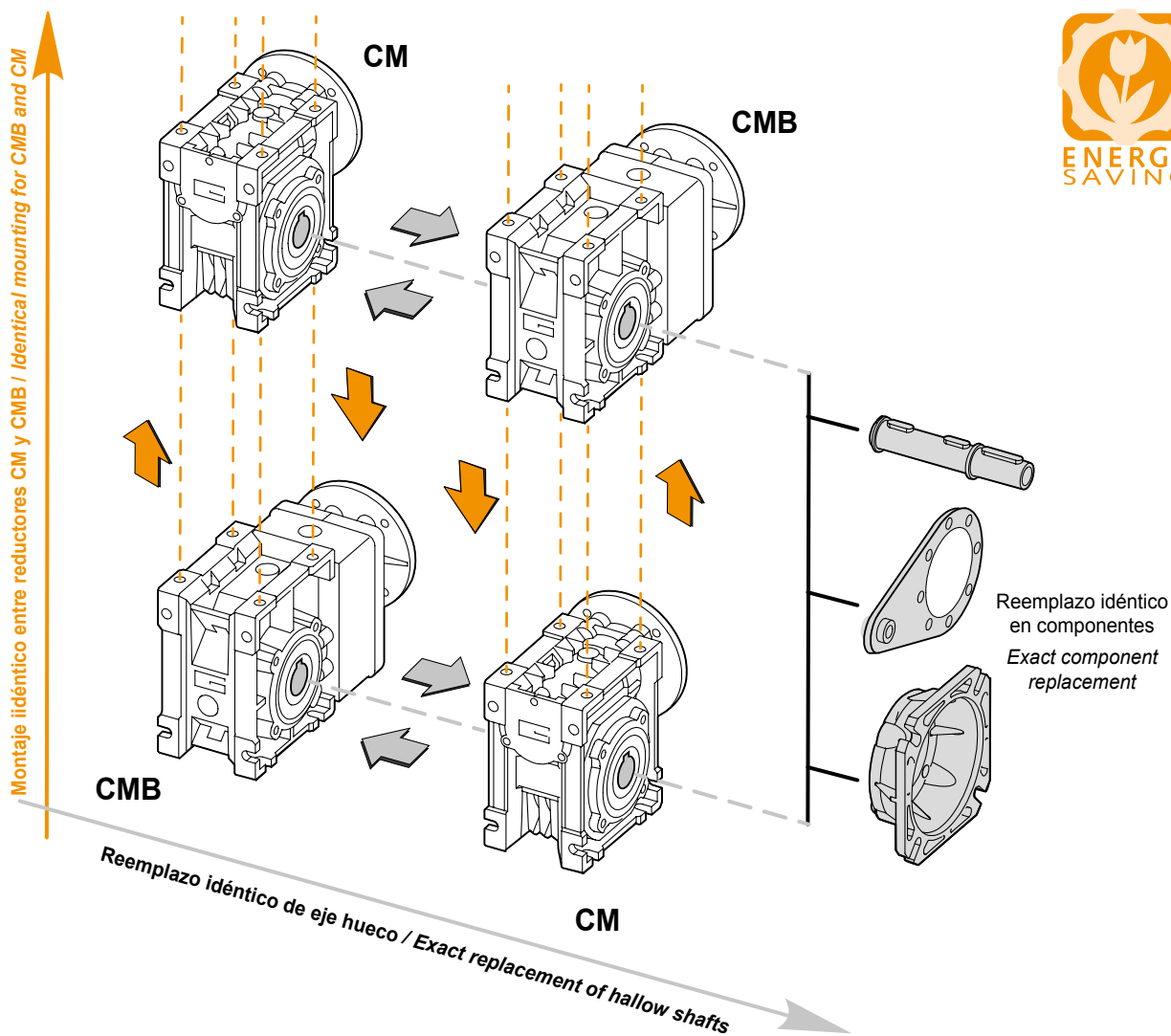
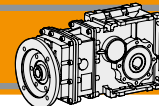


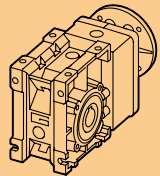
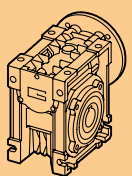








	CMB 402	CMB 502	CMB 633	CMB 903
a	3.386	4.094	4.646	6.181
b	2.598	3.110	3.661	4.606
R_{2MAX}	787	944	1461	2136

$$R_c = \frac{R_2 \cdot a}{(b + x)} \leq R_{2MAX}$$

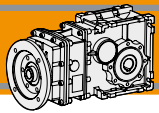
$$R \leq R_c$$

a, b = valores dados en la tabla
a, b = values given in the table



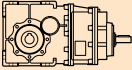
CMB	CM
	
 CMB 402	 CM 040
 CMB 502	 CM 050
 CMB 633	 CM 063
 CMB 903	 CM 090

CMB: Reductores ejes Ortogonales
Helical Bevel Gearboxes
CM: Reductores sinfin Corona
Wormgearboxes



Datos técnicos

Technical data

	i	Mn ₂ [lb·in]	n ₁ = 1750 rpm			n ₁ = 1150 rpm		
			n ₂ [rpm]	Pn ₁ [hp]	NEMA Motores aplicables NEMA Motor adapters 56 C	n ₂ [rpm]	Pn ₁ [hp]	NEMA Motores aplicables NEMA Motor adapters 56 C

CMBIS 402

6.18	354	283	1.69		186	1.11	
7.49	354	234	1.40		153	0.92	
9.2	354	190	1.14		125	0.75	
11.83	398	148	0.99		97.2	0.65	
12.48	398	140	0.94		92.1	0.62	
14.83	398	118	0.79		77.6	0.52	
17.63	398	99.3	0.67		65.2	0.44	
18.6	487	94.1	0.77		61.8	0.51	
22.33	487	78.4	0.64		51.5	0.42	
23.91	487	73.2	0.60		48.1	0.40	
28.89	575	60.6	0.59		39.8	0.39	
30.84	575	56.7	0.55		37.3	0.36	
33.57	575	52.1	0.51		34.3	0.33	
35.63	575	49.1	0.48		32.3	0.31	
42.75	575	40.9	0.40		26.9	0.26	
55.31	575	31.6	0.31		20.8	0.20	
59.06	575	29.6	0.29		19.5	0.19	
64.29	575	27.2	0.26		17.9	0.17	

CMBIS 502

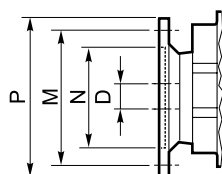
6.18	619	283	2.96		186	1.95	
7.49	619	234	2.44		153	1.60	
9.20	619	190	1.99		125	1.31	
11.83	796	148	1.99		97.2	1.31	
12.48	796	140	1.88		92.1	1.24	
14.83	796	118	1.59		77.6	1.04	
17.63	796	99.3	1.33		65.2	0.88	
18.60	973	94.1	1.55		61.8	1.02	
22.33	973	78.4	1.29		51.5	0.85	
23.91	973	73.2	1.20		48.1	0.79	
28.89	1106	60.6	1.13		39.8	0.74	
30.84	1106	56.7	1.06		37.3	0.70	
33.57	1106	52.1	0.97		34.3	0.64	
35.63	1106	49.1	0.92		32.3	0.60	
42.75	1106	40.9	0.76		26.9	0.50	
55.31	1106	31.6	0.59		20.8	0.39	
59.06	1106	29.6	0.55		19.5	0.36	
64.29	1106	27.2	0.51		17.9	0.33	

NOTA Las áreas resaltadas indican el tamaño de carcasa del motor correspondiente.

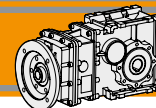
NOTE Highlighted areas indicate the motor input flange available on each gearbox size.

Antes de seleccionar cualquier reductor, favor de revisar los valores de desempeño en las páginas C9 a la C15.

Before selecting any gearbox, please read the performance values shown in the tables on page C9 to C15.

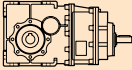


Dimensiones NEMA/ NEMA Dimensions	
	56 C
N	4.5
M	5.88
P	6.5
D	0.625



Datos técnicos

Technical data

	i	Mn ₂ [lb·in]	n ₁ = 1750 rpm				n ₁ = 1150 rpm			
			n ₂ [rpm]	Pn ₁ [hp]	NEMA Motores aplicables NEMA Motor adapters		n ₂ [rpm]	Pn ₁ [hp]	NEMA Motores aplicables NEMA Motor adapters	
					56 C	140 TC			56 C	140 TC

CMBIS 633

6.58	1327	266	5.95			175	3.91		
7.99	1327	219	4.91			144	3.23		
9.81	1327	178	4.00			117	2.63		
10.44	1327	168	3.76			110	2.47		
12.53	1327	140	3.13			91.8	2.06		
13.31	1327	131	2.95			86.4	1.94		
15.81	1504	111	2.81			72.7	1.85		
17.77	1947	98.5	3.24			64.7	2.13		
21.56	1947	81.2	2.67			53.3	1.75		
26.48	1947	66.1	2.17			43.4	1.43		
28.17	1947	62.1	2.04			40.8	1.34		
33.81	1947	51.8	1.70			34.0	1.12		
35.92	1947	48.7	1.60			32.0	1.05		
38.88	2212	45.0	1.68			29.6	1.10		
47.16	2212	37.1	1.39			24.4	0.91		
57.93	2212	30.2	1.13			19.9	0.74		
61.63	2212	28.4	1.06			18.7	0.70		
73.96	2212	23.7	0.88		*	15.5	0.58		*
78.58	2212	22.3	0.83		*	14.6	0.55		*
93.33	2212	18.8	0.70		*	12.3	0.46		*
140.52	2212	12.5	0.47		*	8.2	0.31		*
181.81	2212	9.6	0.36		*	6.3	0.24	*	*
211.31	2212	8.3	0.31		*	5.4	0.20	*	*

CMB

NOTA

Las áreas resaltadas indican el tamaño de carcasa del motor correspondiente.



* = Pn₁ es la potencia mecánica. La potencia aplicable resulta reducida por el factor térmico. Para más detalles consultar con nuestro servicio técnico

Antes de seleccionar cualquier reductor, favor de revisar los valores de desempeño en las páginas C9 a la C15.

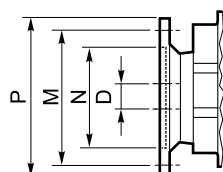
NOTE

Highlighted áreas indicate the motor input flange available on each gearbox size.

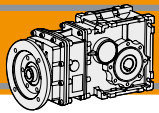


* = The service factor (sf) has to be selected depending on application: please contact our Technical Department.

Before selecting any gearbox, please read the performance values shown in the tables on page C9 to C15.

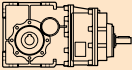


Dimensiones NEMA/ NEMA Dimensions		
	56 C	140 TC
N	4.5	
M	5.88	
P	6.5	
D	0.625	0.875



Datos técnicos

Technical data

	i	Mn ₂ [lb·in]	n ₁ = 1750 rpm					n ₁ = 1150 rpm				
			n ₂ [rpm]	Pn ₁ [hp]	NEMA Motores aplicables NEMA Motor adapters			n ₂ [rpm]	Pn ₁ [hp]	NEMA Motores aplicables NEMA Motor adapters		
					56 C	140 TC	180 TC			56 C	140 TC	180 TC
CMBIS 903												
	6.65	2478	263	11.01				173	7.23			
	8.00	2478	219	9.15				144	6.01			
	9.74	2478	180	7.51				118	4.94			
	11.21	2478	156	6.53				103	4.29			
	14.09	2655	124	5.56				81.6	3.66			
	17.95	3982	97.5	6.55				64.1	4.31			
	21.60	3982	81.0	5.45				53.2	3.58			
	26.30	3982	66.5	4.47				43.7	2.94			
	30.25	3982	57.9	3.89				38.0	2.56			
	39.26	4425	44.6	3.33				29.3	2.19			
	47.25	4425	37.0	2.77				24.3	1.82			
	57.52	4425	30.4	2.27			*	20.0	1.49			
	66.17	4425	26.4	1.98			*	17.4	1.30			
	83.20	4425	21.0	1.57			*	13.8	1.03			*
	108.09	4425	16.2	1.21			*	10.6	0.79			*
	132.23	4425	13.2	0.99			*	8.7	0.65			*
	147.92	4425	11.8	0.88		*	*	7.8	0.58	*	*	*
	167.09	4425	10.5	0.78		*	*	6.9	0.51	*	*	*
	191.06	4425	9.2	0.68		*	*	6.0	0.45	*	*	*
	221.88	4425	7.9	0.59		*	*	5.2	0.39	*	*	*
	262.96	4425	6.7	0.50		*	*	4.4	0.33	*	*	*

NOTA

Las áreas resaltadas indican el tamaño de carcasa del motor correspondiente.

NOTE

Highlighted áreas indicate the motor input flange available on each gearbox size.



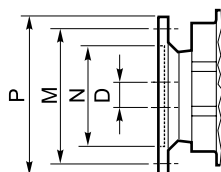
* = Pn₁ es la potencia mecánica. La potencia aplicable resulta reducida por el factor térmico. Para más detalles consultar con nuestro servicio técnico



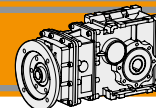
* = The service factor (sf) has to be selected depending on application: please contact our Technical Department.

Antes de seleccionar cualquier reductor, favor de revisar los valores de desempeño en las páginas C9 a la C15.

Before selecting any gearbox, please read the performance values shown in the tables on page C9 to C15.

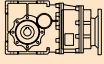

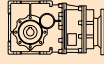



Dimensiones NEMA/ NEMA Dimensions			
	56 C	140 TC	180 TC
N		4.5	8.5
M		5.88	7.25
P		6.5	9
D	0.625	0.875	1.125



Datos técnicos

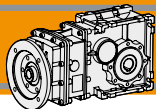
Technical data

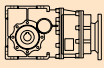

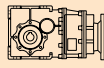

P ₁ [hp]	n ₂ [rpm]	M ₂ [lb·in]	sf	AGMA	i			P ₁ [hp]	n ₂ [rpm]	M ₂ [lb·in]	sf	AGMA	i		
0.16 hp								0.25 hp							
0.12 kW (1750 rpm)	283	33	10.6	III	6.18	CMB402	56C	0.18 kW (1750 rpm)	73.2	202	4.8	III	23.91	CMB502	56C
	234	41	8.7	III	7.49				60.6	244	4.5	III	28.89		
	190	50	7.1	III	9.20		56C		56.7	261	4.2	III	30.84		56C
	148	64	6.2	III	11.83		56C		52.1	284	3.9	III	33.57		56C
	140	68	5.9	III	12.48		56C		49.1	301	3.7	III	35.63		56C
	118	80	5.0	III	14.83		56C		40.9	362	3.1	III	42.75		56C
	99.3	95	4.2	III	17.63		56C		31.6	468	2.4	III	55.31		56C
	94.1	101	4.8	III	18.60		56C		29.6	500	2.2	III	59.06		56C
	78.4	121	4.0	III	22.33		56C		27.2	544	2.0	III	64.29		56C
	73.2	129	3.8	III	23.91		56C								
	60.6	156	3.7	III	28.89		56C		37.1	399	5.5	III	47.16	CMB633	56C
	56.7	167	3.4	III	30.84		56C		30.2	490	4.5	III	57.93		56C
	52.1	182	3.2	III	33.57		56C		28.4	522	4.2	III	61.63		56C
	49.1	193	3.0	III	35.63		56C		23.7	626	3.5	III	73.96		56C
	40.9	232	2.5	III	42.75		56C		22.3	665	3.3	III	78.58		56C
	31.6	300	1.9	II	55.31		56C		18.8	790	2.8	III	93.33		56C
	29.6	320	1.8	II	59.06		56C		12.5	1189	1.9	II	140.52		56C
	27.2	348	1.7	II	64.29		56C		9.6	1539	1.4	II	181.81		56C
									8.3	1788	1.2	I	211.31		56C
	40.9	232	4.8	III	42.75	CMB502	56C		16.2	915	4.8	III	108.09	CMB903	56C
	31.6	300	3.7	III	55.31		56C		13.2	1119	4.0	III	132.23		56C
	29.6	320	3.5	III	59.06		56C		11.8	1252	3.5	III	147.92		56C
	27.2	348	3.2	III	64.29		56C		10.5	1414	3.1	III	167.09		56C
									9.2	1617	2.7	III	191.06		56C
	23.7	401	5.5	III	73.96	CMB633	56C		7.9	1878	2.4	III	221.88		56C
	22.3	426	5.2	III	78.58		56C		6.7	2225	2.0	II	262.96		56C
	18.8	505	4.4	III	93.33		56C								
	12.5	761	2.9	III	140.52		56C								
	9.6	985	2.2	III	181.81		56C								
	8.3	1145	1.9	II	211.31		56C								
	9.2	1035	4.3	III	191.06	CMB903	56C								
	7.9	1202	3.7	III	221.88		56C								
	6.7	1424	3.1	III	262.96		56C								

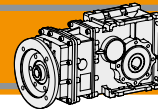
0.25 hp							
0.18 kW (1750 rpm)	283	52	6.8	III	6.18	CMB402	56C
	234	63	5.6	III	7.49		56C
	190	78	4.5	III	9.20		56C
	148	100	4.0	III	11.83		56C
	140	106	3.8	III	12.48		56C
	118	125	3.2	III	14.83		56C
	99.3	149	2.7	III	17.63		56C
	94.1	157	3.1	III	18.60		56C
	78.4	189	2.6	III	22.33		56C
	73.2	202	2.4	III	23.91		56C
	60.6	244	2.4	III	28.89		56C
	56.7	261	2.2	III	30.84		56C
	52.1	284	2.0	III	33.57		56C
	49.1	301	1.9	II	35.63		56C
	40.9	362	1.6	II	42.75		56C
	31.6	468	1.2	I	55.31		56C
	29.6	500	1.2	I	59.06		56C
	27.2	544	1.1	I	64.29		56C

0.33 hp							
0.22 kW (1750 rpm)	283	69	5.1	III	6.18	CMB402	56C
	234	84	4.2	III	7.49		56C
	190	103	3.4	III	9.20		56C
	148	132	3.0	III	11.83		56C
	140	139	2.9	III	12.48		56C
	118	166	2.4	III	14.83		56C
	99.3	197	2.0	III	17.63		56C
	94.1	208	2.3	III	18.60		56C
	78.4	249	2.0	II	22.33		56C
	73.2	267	1.8	II	23.91		56C
	60.6	323	1.8	II	28.89		56C
	56.7	345	1.7	II	30.84		56C
	52.1	375	1.5	II	33.57		56C
	49.1	398	1.4	II	35.63		56C
	40.9	478	1.2	I	42.75		56C
	31.6	618	0.9	I	55.31		56C

CMB

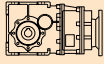

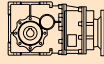

**CMB****REDUCTORES ORTOGONALES DE ENGRANAJES HELICOIDALES**
HELICAL BEVEL GEARBOXES**Datos técnicos****Technical data**

P ₁ [hp]	n ₂ [rpm]	M ₂ [lb·in]	sf	AGMA	i			P ₁ [hp]	n ₂ [rpm]	M ₂ [lb·in]	sf	AGMA	i			
0.33 hp								0.33 hp								
0.25 kW (1750 rpm)	118	166	4.8	III	14.83	CMB502	56C	0.25 kW (1150 rpm)	125	156	4.0	III	9.20	CMB502	56C	
	99.3	197	4.0	III	17.63		56C		97.2	201	4.0	III	11.83		56C	
	94.1	208	4.7	III	18.60		56C		92.1	212	3.8	III	12.48		56C	
	78.4	249	3.9	III	22.33		56C		77.6	252	3.2	III	14.83		56C	
	73.2	267	3.6	III	23.91		56C		65.2	300	2.7	III	17.63		56C	
	60.6	323	3.4	III	28.89		56C		61.8	316	3.1	III	18.60		56C	
	56.7	345	3.2	III	30.84		56C		51.5	380	2.6	III	22.33		56C	
	52.1	375	2.9	III	33.57		56C		48.1	406	2.4	III	23.91		56C	
	49.1	398	2.8	III	35.63		56C		39.8	491	2.3	III	28.89		56C	
	40.9	478	2.3	III	42.75		56C		37.3	524	2.1	III	30.84		56C	
	31.6	618	1.8	II	55.31		56C		34.3	571	1.9	III	33.57		56C	
	29.6	660	1.7	II	59.06		56C		32.3	606	1.8	II	35.63		56C	
	27.2	718	1.5	II	64.29		56C		26.9	727	1.5	II	42.75		56C	
	45.0	434	5.1	III	38.88	CMB633	56C		20.8	940	1.2	I	55.31	56C		
	37.1	527	4.2	III	47.16		56C		19.5	1004	1.1	I	59.06	56C		
	30.2	647	3.4	III	57.93		56C		17.9	1093	1.0	I	64.29	56C		
	28.4	688	3.2	III	61.63		56C		53.3	367	5.3	III	21.56	CMB633	56C	
	23.7	826	2.7	III	73.96		56C		43.4	450	4.3	III	26.48		56C	
	22.3	878	2.5	III	78.58		56C		40.8	479	4.1	III	28.17		56C	
	18.8	1043	2.1	III	93.33		56C		34.0	575	3.4	III	33.81		56C	
	12.5	1570	1.4	II	140.52		56C		32.0	611	3.2	III	35.92		56C	
	9.6	2031	1.1	I	181.81		56C		29.6	661	3.3	III	38.88		56C	
	8.3	2361	0.9	I	211.31		56C		24.4	802	2.8	III	47.16		56C	
	21.0	929	4.8	III	83.20		CMB903		56C	19.9	985	2.2	III		57.93	56C
	16.2	1208	3.7	III	108.09				56C	18.7	1048	2.1	III		61.63	56C
	13.2	1477	3.0	III	132.23				56C	15.5	1257	1.8	II		73.96	56C
	11.8	1652	2.7	III	147.92	56C			14.6	1336	1.7	II	78.58		56C	
	10.5	1867	2.4	III	167.09	56C			12.3	1587	1.4	I	93.33		56C	
	9.2	2134	2.1	III	191.06	56C			8.2	2389	0.9	I	140.52		56C	
	7.9	2479	1.8	II	221.88	56C			20.0	978	4.5	III	57.52	CMB903	56C	
	6.7	2938	1.5	II	262.96	56C			17.4	1125	3.9	III	66.17		56C	
	186	105	3.4	III	6.18	CMB402			56C	13.8	1414	3.1	III		83.20	56C
	153	127	2.8	III	7.49				56C	10.6	1838	2.4	III		108.09	56C
	125	156	2.3	III	9.20				56C	8.7	2248	2.0	II		132.23	56C
	97.2	201	2.0	II	11.83				56C	7.8	2514	1.8	II		147.92	56C
	92.1	212	1.9	II	12.48				56C	6.9	2840	1.6	II		167.09	56C
	77.6	252	1.6	II	14.83		56C		6.0	3248	1.4	I	191.06		56C	
	65.2	300	1.3	I	17.63		56C		5.2	3772	1.2	I	221.88		56C	
61.8	316	1.5	II	18.60	56C		4.4	4470	1.0	I	262.96	56C				
51.5	380	1.3	I	22.33	56C											
48.1	406	1.2	I	23.91	56C											
39.8	491	1.2	I	28.89	56C											
37.3	524	1.1	I	30.84	56C											
34.3	571	1.0	I	33.57	56C											
32.3	606	0.9	I	35.63	56C											

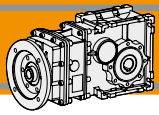


Datos técnicos

Technical data

P ₁ [hp]	n ₂ [rpm]	M ₂ [lb·in]	sf	AGMA	i			P ₁ [hp]	n ₂ [rpm]	M ₂ [lb·in]	sf	AGMA	i		
0.5 hp								0.5 hp							
0.37 kW (1750 rpm)	283	105	3.4	III	6.18	CMB402	56C	0.37 kW (1150 rpm)	186	159	2.2	III	6.18	CMB402	56C
	234	127	2.8	III	7.49				153	193	1.8	II	7.49		
	190	156	2.3	III	9.20		56C		125	237	1.5	II	9.20		56C
	148	200	2.0	II	11.83		56C		97.2	305	1.3	I	11.83		56C
	140	211	1.9	II	12.48		56C		92.1	322	1.2	I	12.48		56C
	118	251	1.6	II	14.83		56C		77.6	382	1.0	I	14.83		56C
	99.3	298	1.3	I	17.63		56C		65.2	454	0.9	I	17.63		56C
	94.1	315	1.5	II	18.60		56C		61.8	479	1.0	I	18.60		56C
	78.4	378	1.3	I	22.33		56C								
	73.2	405	1.2	I	23.91		56C		186	159	3.9	III	6.18	CMB502	56C
	60.6	489	1.2	I	28.89		56C		153	193	3.2	III	7.49		56C
	56.7	522	1.1	I	30.84		56C		125	237	2.6	III	9.20		56C
	52.1	568	1.0	I	33.57		56C		97.2	305	2.6	III	11.83		56C
	49.1	603	1.0	I	35.63		56C		92.1	322	2.5	III	12.48		56C
									77.6	382	2.1	III	14.83		56C
	283	105	5.9	III	6.18	CMB502	56C		65.2	454	1.8	II	17.63		56C
	234	127	4.9	III	7.49		56C		61.8	479	2.0	III	18.60		56C
	190	156	4.0	III	9.20		56C		51.5	575	1.7	II	22.33		56C
	148	200	4.0	III	11.83		56C		48.1	616	1.6	II	23.91		56C
	140	211	3.8	III	12.48		56C		39.8	744	1.5	II	28.89		56C
	118	251	3.2	III	14.83		56C		37.3	794	1.4	I	30.84		56C
	99.3	298	2.7	III	17.63		56C		34.3	865	1.3	I	33.57		56C
	94.1	315	3.1	III	18.60		56C		32.3	918	1.2	I	35.63		56C
	78.4	378	2.6	III	22.33		56C		26.9	1101	1.0	I	42.75		56C
	73.2	405	2.4	III	23.91		56C								
	60.6	489	2.3	III	28.89		56C		91.8	323	4.1	III	12.53	CMB633	56C
	56.7	522	2.1	III	30.84		56C		86.4	343	3.9	III	13.31		56C
	52.1	568	1.9	II	33.57		56C		72.7	407	3.7	III	15.81		56C
	49.1	603	1.8	II	35.63		56C		64.7	458	4.3	III	17.77		56C
	40.9	724	1.5	II	42.75		56C		53.3	555	3.5	III	21.56		56C
	31.6	936	1.2	I	55.31		56C		43.4	682	2.9	III	26.48		56C
	29.6	1000	1.1	I	59.06		56C		40.8	726	2.7	III	28.17		56C
	27.2	1088	1.0	I	64.29		56C		34.0	871	2.2	III	33.81		56C
									32.0	925	2.1	III	35.92		56C
	81.2	365	5.3	III	21.56	CMB633	56C		29.6	1001	2.2	III	38.88		56C
	66.1	448	4.3	III	26.48		56C		24.4	1215	1.8	II	47.16		56C
	62.1	477	4.1	III	28.17		56C		19.9	1492	1.5	II	57.93		56C
	51.8	572	3.4	III	33.81		56C		18.7	1587	1.4	I	61.63		56C
	48.7	608	3.2	III	35.92		56C		15.5	1905	1.2	I	73.96		56C
	45.0	658	3.4	III	38.88		56C		14.6	2024	1.1	I	78.58		56C
	37.1	798	2.8	III	47.16		56C		12.3	2404	0.9	I	93.33		56C
	30.2	981	2.3	III	57.93		56C								
	28.4	1043	2.1	III	61.63		56C		38.0	779	5.1	III	30.25	CMB903	56C
	23.7	1252	1.8	II	73.96		56C		29.3	1011	4.4	III	39.26		56C
	22.3	1330	1.7	II	78.58		56C		24.3	1217	3.6	III	47.25		56C
	18.8	1580	1.4	II	93.33		56C		20.0	1482	3.0	III	57.52		56C
	12.5	2378	0.9	I	140.52		56C		17.4	1704	2.6	III	66.17		56C
									13.8	2143	2.1	III	83.20		56C
	30.4	974	4.5	III	57.52	CMB903	56C		10.6	2784	1.6	II	108.09		56C
	26.4	1120	4.0	III	66.17		56C		8.7	3406	1.3	I	132.23		56C
	21.0	1408	3.1	III	83.20		56C		7.8	3810	1.2	I	147.92		56C
	16.2	1830	2.4	III	108.09		56C		6.9	4304	1.0	I	167.09		56C
	13.2	2238	2.0	II	132.23		56C		6.0	4921	0.9	I	191.06		56C
	11.8	2504	1.8	II	147.92		56C								
	10.5	2828	1.6	II	167.09		56C								
	9.2	3234	1.4	I	191.06		56C								
	7.9	3755	1.2	I	221.88		56C								
	6.7	4451	1.0	I	262.96		56C								

CMB

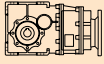

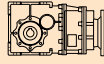



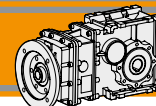
CMB

REDUCTORES ORTOGONALES DE ENGRANAJES HELICOIDALES
HELICAL BEVEL GEARBOXES

Datos técnicos

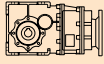

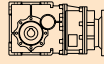

Technical data

P ₁ [hp]	n ₂ [rpm]	M ₂ [lb·in]	sf	AGMA	i			P ₁ [hp]	n ₂ [rpm]	M ₂ [lb·in]	sf	AGMA	i											
0.75 hp								0.75 hp																
0.55 kW (1750 rpm)	283	157	2.3	III	6.18	CMB402	56C	0.55 kW (1150 rpm)	186	239	1.5	II	6.18	CMB402	56C									
	234	190	1.9	II	7.49				153	289	1.2	I	7.49											
	190	234	1.5	II	9.20				125	356	1.0	I	9.20											
	148	300	1.3	I	11.83				97.2	457	0.9	I	11.83											
	140	317	1.3	I	12.48				186	239	2.6	III	6.18			CMB502	56C							
	118	376	1.1	I	14.83													153	289	2.1	III	7.49		
	99.3	447	0.9	I	17.63													125	356	1.7	II	9.20		
	94.1	472	1.0	I	18.60													97.2	457	1.7	II	11.83		
	283	157	4.0	III	6.18													CMB502	56C	92.1	482	1.7	II	12.48
	234	190	3.3	III	7.49															77.6	573	1.4	I	14.83
	190	234	2.7	III	9.20															65.2	681	1.2	I	17.63
	148	300	2.7	III	11.83															61.8	719	1.4	I	18.60
	140	317	2.5	III	12.48	51.5	863							1.1	I					22.33				
	118	376	2.1	III	14.83	48.1	924							1.1	I					23.91				
	99.3	447	1.8	II	17.63	39.8	1116							1.0	I					28.89				
	94.1	472	2.1	III	18.60	37.3	1192							0.9	I					30.84				
	78.4	567	1.7	II	22.33	175	254		5.2	III	6.58	CMB633	56C-140TC											
	73.2	607	1.6	II	23.91									144	309	4.3	III			7.99				
	60.6	733	1.5	II	28.89									117	379	3.5	III			9.81				
	56.7	783	1.4	II	30.84									110	403	3.3	III			10.44				
	52.1	852	1.3	I	33.57									91.8	484	2.7	III	12.53						
	49.1	904	1.2	I	35.63									86.4	514	2.6	III	13.31						
	40.9	1085	1.0	I	42.75									72.7	611	2.5	III	15.81						
	140	318	4.2	III	12.53									CMB633	56C	64.7	687	2.8	III	17.77				
	131	338	3.9	III	13.31											53.3	833	2.3	III	21.56				
	111	401	3.7	III	15.81											43.4	1023	1.9	II	26.48				
	98.5	451	4.3	III	17.77											40.8	1089	1.8	II	28.17				
	81.2	547	3.6	III	21.56											34.0	1306	1.5	II	33.81				
	66.1	672	2.9	III	26.48	32.0	1388		1.4	II	35.92													
	62.1	715	2.7	III	28.17	29.6	1502		1.5	II	38.88													
	51.8	858	2.3	III	33.81	24.4	1822		1.2	I	47.16													
	48.7	912	2.1	III	35.92	19.9	2238		1.0	I	57.93													
	45.0	987	2.2	III	38.88	18.7	2381		0.9	I	61.63													
	37.1	1197	1.8	II	47.16	53.2	835		4.8	III	21.60	CMB903	56C-140TC											
	30.2	1471	1.5	II	57.93											43.7	1016	3.9	III	26.30				
	28.4	1565	1.4	II	61.63									38.0	1169	3.4	III	30.25						
	23.7	1878	1.2	I	73.96									29.3	1517	2.9	III	39.26						
	22.3	1995	1.1	I	78.58									24.3	1826	2.4	III	47.25						
	18.8	2369	0.9	I	93.33									20.0	2222	2.0	II	57.52						
	57.9	768	5.2	III	30.25									CMB903	56C	17.4	2557	1.7	II	66.17				
	44.6	997	4.4	III	39.26											13.8	3215	1.4	I	83.20				
	37.0	1200	3.7	III	47.25											10.6	4176	1.1	I	108.09				
	30.4	1460	3.0	III	57.52											8.7	5109	0.9	I	132.23				
	26.4	1680	2.6	III	66.17																			
21.0	2112	2.1	III	83.20																				
16.2	2744	1.6	II	108.09																				
13.2	3357	1.3	I	132.23																				
11.8	3755	1.2	I	147.92																				
10.5	4242	1.0	I	167.09																				
9.2	4851	0.9	I	191.06																				

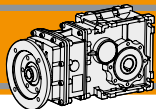


Datos técnicos

Technical data

P ₁ [hp]	n ₂ [rpm]	M ₂ [lb·in]	sf	AGMA	i			P ₁ [hp]	n ₂ [rpm]	M ₂ [lb·in]	sf	AGMA	i		
1 hp								1 hp							
0.75 kW (1750 rpm)	283	209	1.7	II	6.18	CMB402	56C	0.75 kW	186	318	1.1	I	6.18	CMB402	56C
	234	254	1.4	I	7.49			(1150 rpm)	153	386	0.9	I	7.49		
190	312	1.1	I	9.20	CMB502			56C	186	318	1.9	II	6.18	CMB502	56C
148	400	1.0	I	11.83					153	386	1.6	II	7.49		
140	423	0.9	I	12.48					125	474	1.3	I	9.20		
283	209	3.0	III	6.18		97.2	609		1.3	I	11.83				
234	254	2.4	III	7.49		92.1	643		1.2	I	12.48				
190	312	2.0	II	9.20		77.6	764		1.0	I	14.83				
148	400	2.0	II	11.83		65.2	908		0.9	I	17.63				
140	423	1.9	II	12.48		61.8	958		1.0	I	18.60				
118	502	1.6	II	14.83		175	339		3.9	III	6.58	CMB633	56C-140TC		
99.3	597	1.3	I	17.63		144	412		3.2	III	7.99				
94.1	630	1.5	II	18.60	117	506	2.6	III	9.81						
78.4	756	1.3	I	22.33	110	538	2.5	III	10.44						
73.2	809	1.2	I	23.91	91.8	645	2.1	III	12.53						
60.6	978	1.1	I	28.89	86.4	686	1.9	II	13.31						
56.7	1044	1.1	I	30.84	72.7	814	1.8	II	15.81						
52.1	1136	1.0	I	33.57	64.7	915	2.1	III	17.77						
49.1	1206	0.9	I	35.63	53.3	1111	1.8	II	21.56						
266	223	6.0	III	6.58	43.4	1364	1.4	II	26.48	CMB903	56C-140TC				
219	270	4.9	III	7.99	40.8	1451	1.3	I	28.17						
178	332	4.0	III	9.81	34.0	1742	1.1	I	33.81						
168	353	3.8	III	10.44	32.0	1850	1.1	I	35.92						
140	424	3.1	III	12.53	29.6	2003	1.1	I	38.88						
131	451	2.9	III	13.31	24.4	2429	0.9	I	47.16						
111	535	2.8	III	15.81	103	577	4.3	III	11.21						
98.5	602	3.2	III	17.77	81.6	726	3.7	III	14.09						
81.2	730	2.7	III	21.56	64.1	925	4.3	III	17.95						
66.1	897	2.2	III	26.48	53.2	1113	3.6	III	21.60						
62.1	954	2.0	III	28.17	43.7	1355	2.9	III	26.30						
51.8	1145	1.7	II	33.81	38.0	1558	2.6	III	30.25						
48.7	1216	1.6	II	35.92	29.3	2023	2.2	III	39.26						
45.0	1316	1.7	II	38.88	24.3	2434	1.8	II	47.25						
37.1	1597	1.4	I	47.16	20.0	2963	1.5	II	57.52						
30.2	1961	1.1	I	57.93	17.4	3409	1.3	I	66.17						
28.4	2086	1.1	I	61.63	13.8	4286	1.0	I	83.20						
66.5	890	4.5	III	26.30	CMB903	56C-140TC									
57.9	1024	3.9	III	30.25											
44.6	1329	3.3	III	39.26											
37.0	1600	2.8	III	47.25											
30.4	1947	2.3	III	57.52											
26.4	2240	2.0	II	66.17											
21.0	2817	1.6	II	83.20											
16.2	3659	1.2	I	108.09											
13.2	4476	1.0	I	132.23											

CMB

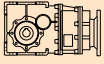

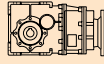



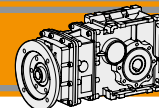
CMB

REDUCTORES ORTOGONALES DE ENGRANAJES HELICOIDALES
HELICAL BEVEL GEARBOXES

Datos técnicos

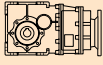

Technical data

P ₁ [hp]	n ₂ [rpm]	M ₂ [lb·in]	sf	AGMA	i			P ₁ [hp]	n ₂ [rpm]	M ₂ [lb·in]	sf	AGMA	i				
1.5 hp								1.5 hp									
1.1 kW (1750 rpm)	283	314	1.1	I	6.18	CMB402	56C	1.1 kW	173	514	4.8	III	6.65	CMB903	140TC-180TC		
	234	380	0.9	I	7.49			1150 rpm	144	618	4.0	III	8.00		140TC-180TC		
	283	314	2.0	II	6.18	CMB502	56C		118	753	3.3	III	9.74		140TC-180TC		
	234	380	1.6	II	7.49				103	866	2.9	III	11.21		140TC-180TC		
	190	467	1.3	I	9.20				81.6	1089	2.4	III	14.09		140TC-180TC		
	148	601	1.3	I	11.83				64.1	1387	2.9	III	17.95		140TC-180TC		
	140	634	1.3	I	12.48				53.2	1669	2.4	III	21.60		140TC-180TC		
	118	753	1.1	I	14.83				43.7	2032	2.0	II	26.30		140TC-180TC		
	99.3	895	0.9	I	17.63				38.0	2337	1.7	II	30.25		140TC-180TC		
	94.1	945	1.0	I	18.60				29.3	3034	1.5	II	39.26		140TC-180TC		
									24.3	3651	1.2	I	47.25		140TC-180TC		
									20.0	4445	1.0	I	57.52		140TC-180TC		
							17.4	5113	0.9	I	66.17		140TC-180TC				
	266	334	4.0	III	6.58	CMB633	56C-140TC	2 hp									
	219	406	3.3	III	7.99				1.5 kW	283	418	1.5	II	6.18	CMB502	56C	
	178	498	2.7	III	9.81				(1150 rpm)	234	507	1.2	I	7.49			56C
	168	530	2.5	III	10.44					190	623	1.0	I	9.20		56C	
	140	636	2.1	III	12.53					148	801	1.0	I	11.83		56C	
	131	676	2.0	II	13.31					140	845	0.9	I	12.48		56C	
	111	803	1.9	II	15.81										CMB633	56C-140TC	
	98.5	902	2.2	III	17.77					266	446	3.0	III	6.58			56C-140TC
	81.2	1095	1.8	II	21.56					219	541	2.5	III	7.99			56C-140TC
	66.1	1345	1.4	II	26.48					178	664	2.0	II	9.81			56C-140TC
	62.1	1431	1.4	I	28.17			168	707	1.9	II	10.44		56C-140TC			
	51.8	1717	1.1	I	33.81			140	848	1.6	II	12.53		56C-140TC			
	48.7	1824	1.1	I	35.92			131	901	1.5	II	13.31		56C-140TC			
	45.0	1974	1.1	I	38.88			111	1070	1.4	II	15.81		56C-140TC			
	37.1	2395	0.9	I	47.16			98.5	1203	1.6	II	17.77		56C-140TC			
						CMB903	56C-140TC		81.2	1460	1.3	I	21.56			56C-140TC	
	180	495	5.0	III	9.74					66.1	1793	1.1	I	26.48		56C-140TC	
	156	569	4.4	III	11.21					62.1	1908	1.0	I	28.17		56C-140TC	
	124	716	3.7	III	14.09										CMB903	56C-140TC	
	97.5	911	4.4	III	17.95					263	450	5.5	III	6.65			56C-140TC
	81.0	1097	3.6	III	21.60					219	542	4.6	III	8.00			56C-140TC
	66.5	1335	3.0	III	26.30					180	660	3.8	III	9.74			56C-140TC
	57.9	1536	2.6	III	30.25					156	759	3.3	III	11.21			56C-140TC
	44.6	1994	2.2	III	39.26					124	954	2.8	III	14.09			56C-140TC
	37.0	2399	1.8	II	47.25					97.5	1215	3.3	III	17.95			56C-140TC
	30.4	2921	1.5	II	57.52			81.0	1462	2.7	III	21.60		56C-140TC			
	26.4	3360	1.3	I	66.17			66.5	1780	2.2	III	26.30		56C-140TC			
	21.0	4225	1.0	I	83.20			57.9	2048	1.9	II	30.25		56C-140TC			
								44.6	2658	1.7	II	39.26		56C-140TC			
								37.0	3199	1.4	I	47.25		56C-140TC			
								30.4	3894	1.1	I	57.52		56C-140TC			
								26.4	4480	1.0	I	66.17		56C-140TC			
1.1 kW (1150 rpm)	175	509	2.6	III	6.58	CMB633	140TC	1.5 hp									
	144	617	2.2	III	7.99												
	117	758	1.8	II	9.81												
	110	807	1.6	II	10.44												
	91.8	968	1.4	I	12.53												
	86.4	1028	1.3	I	13.31												
	72.7	1222	1.2	I	15.81												
	64.7	1373	1.4	II	17.77												
	53.3	1666	1.2	I	21.56												
	43.4	2046	1.0	I	26.48												
	40.8	2177	0.9	I	28.17												



Datos técnicos

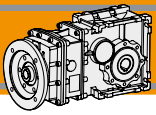
Technical data

P_1 [hp]	n_2 [rpm]	M_2 [lb·in]	sf	AGMA	i		
2 hp							
1.5 kW (1150 rpm)	173	685	3.6	III	6.65	CMB903	180TC
	144	825	3.0	III	8.00		180TC
	118	1004	2.5	III	9.74		180TC
	103	1155	2.1	III	11.21		180TC
	81.6	1452	1.8	II	14.09		180TC
	64.1	1849	2.2	III	17.95		180TC
	53.2	2225	1.8	II	21.60		180TC
	43.7	2709	1.5	II	26.30		180TC
	38.0	3117	1.3	I	30.25		180TC
	29.3	4045	1.1	I	39.26		180TC
	24.3	4868	0.9	I	47.25		180TC

3 hp								
2.2 kW (1750 rpm)	266	669	2.0	II	6.58	CMB633	140TC	
	219	811	1.6	II	7.99		140TC	
	178	997	1.3	I	9.81		140TC	
	168	1060	1.3	I	10.44		140TC	
	140	1272	1.0	I	12.53		140TC	
	131	1352	1.0	I	13.31		140TC	
	111	1605	0.9	I	15.81		140TC	
	98.5	1805	1.1	I	17.77		140TC	
	263	675	3.7	III	6.65		CMB903	140TC-180TC
	219	813	3.0	III	8.00			140TC-180TC
	180	990	2.5	III	9.74			140TC-180TC
	156	1138	2.2	III	11.21			140TC-180TC
	124	1431	1.9	II	14.09			140TC-180TC
	97.5	1823	2.2	III	17.95			140TC-180TC
	81.0	2194	1.8	II	21.60			140TC-180TC
	66.5	2671	1.5	II	26.30			140TC-180TC
	57.9	3072	1.3	I	30.25			140TC-180TC
	44.6	3987	1.1	I	39.26			140TC-180TC
	37.0	4799	0.9	I	47.25		140TC-180TC	

5 hp							
3.7 kW (1750 rpm)	263	1126	2.2	III	6.65	CMB903	180TC
	219	1355	1.8	II	8.00		180TC
	180	1649	1.5	II	9.74		180TC
	156	1897	1.3	I	11.21		180TC
	124	2385	1.1	I	14.09		180TC
	97.5	3038	1.3	I	17.95		180TC
	81.0	3656	1.1	I	21.60		180TC
	66.5	4451	0.9	I	26.30		180TC

CMB



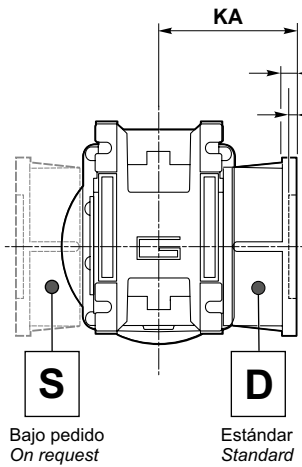
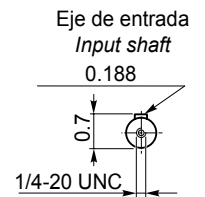
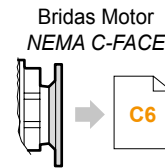
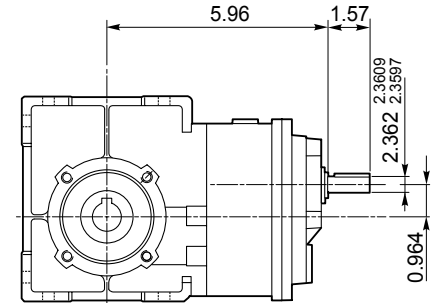
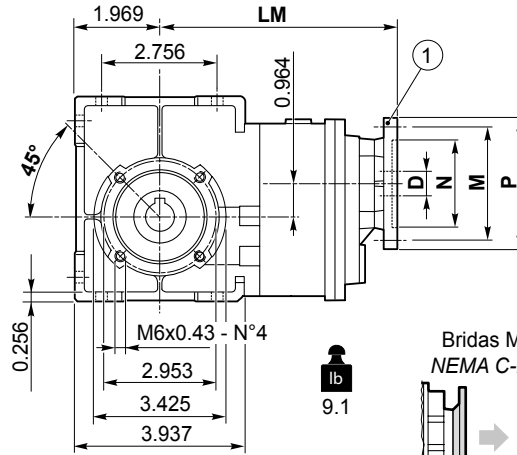
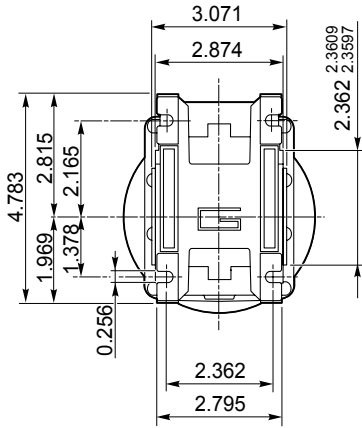
Dimensiones

Dimensions

CMB 402 - CMBIS 402

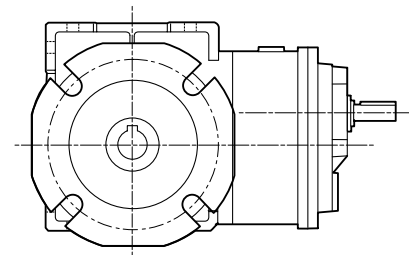
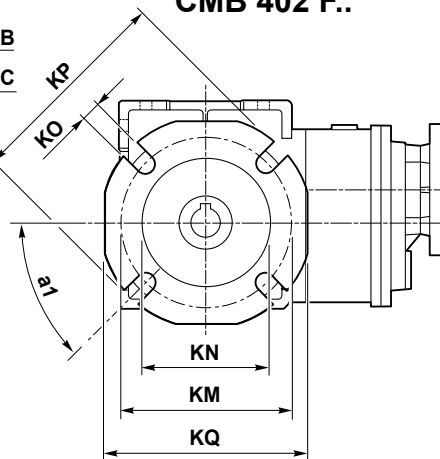
CMB 402 U

CMBIS 402 U



CMB 402 F..

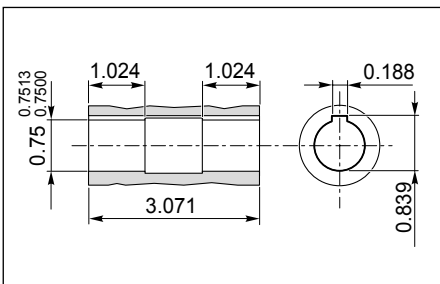
CMBIS 402 F..



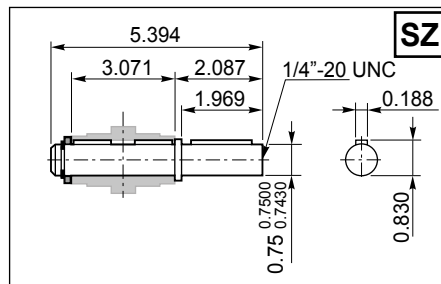
Versión F / F Version										
CMB / CMBIS	a ₁	KA	KB	KC	KM	KN	KO	KP	□ KQ	Brida / Flange Tipo / Type
402	45°	2.638	0.295	0.77	3.150-3.740	2.362 ^{2.3640} 2.3622	0.354	4.331	3.740	F
	45°	3.819	0.295	0.77	3.150-3.740	2.362 ^{2.3640} 2.3622	0.354	4.331	3.740	FL
	45°	3.150	0.335	0.197	4.527-4.921	3.740 ^{3.7423} 3.7402	0.374	5.512	4.409	FB

Brida Motor / Motor flange	
①	Dimensiones NEMA / NEMA Dimensions
	56 C
N	4.5
M	5.88
P	6.5
D	0.625
LM	6.72

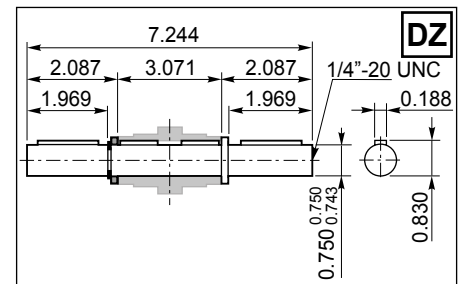
Eje de salida hueco / Hollow output shaft

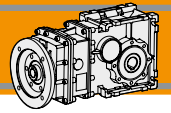


Eje de salida / Output shaft



Eje de salida / Output shaft





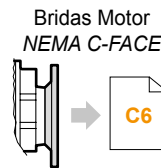
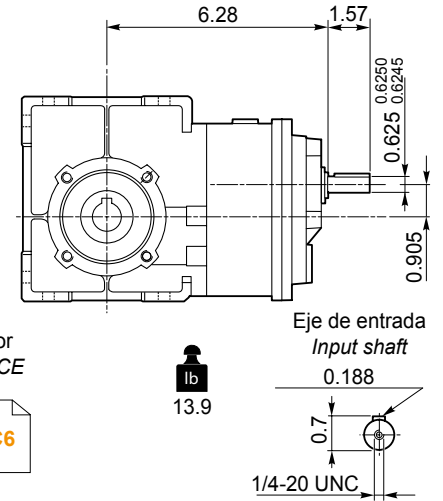
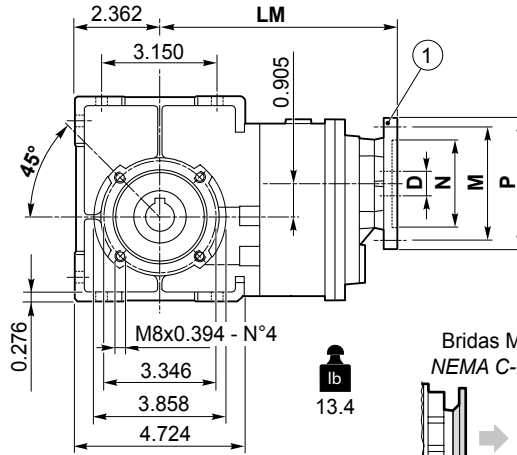
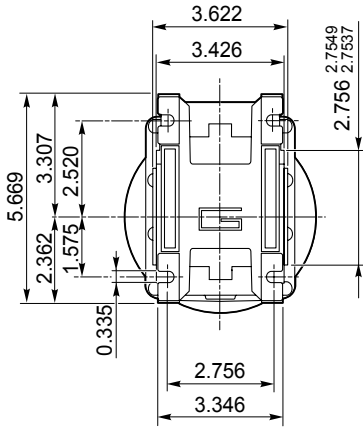
Dimensiones

Dimensions

CMB 502 - CMBIS 502

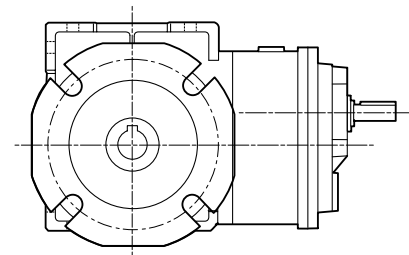
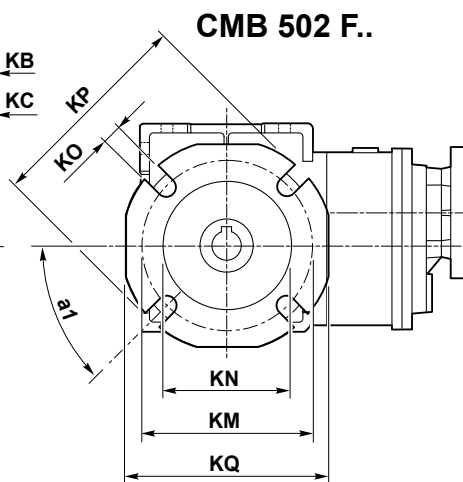
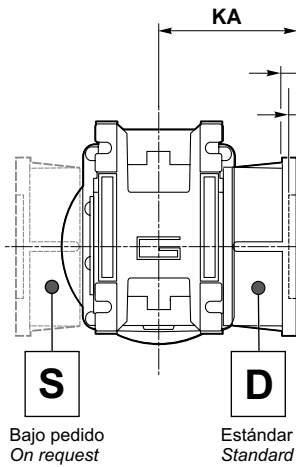
CMB 502 U

CMBIS 502 U



CMB 502 F.

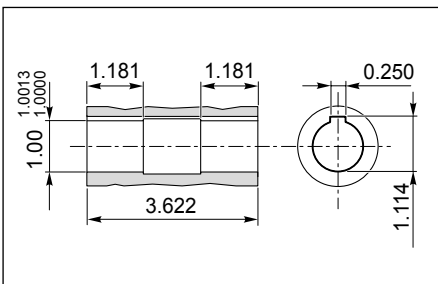
CMBIS 502 F..



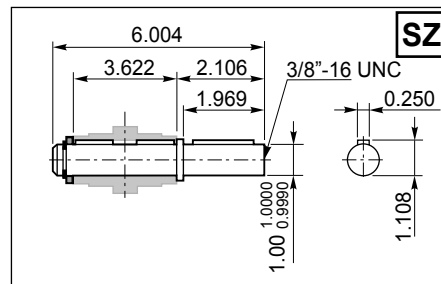
Versión F / F Version										
CMB CMBIS	a ₁	KA	KB	KC	KM	KN	KO	KP	□ KQ	Brida / Flange Tipo / Type
502	45°	3.543	0.354	0.197	3.543-4.331	2.756 ^{2.7577} / _{2.7559}	0.433	4.921	4,331	F
	45°	4.724	0.354	0.197	3.543-4.331	2.756 ^{2.7577} / _{2.7559}	0.433	4.921	4,331	FL
	45°	3.504	0.354	0.197	5.118-5.709	4.331 ^{4.3328} / _{4.3307}	0.374	6.299	5,197	FB

Brida Motor / Motor flange	
①	Dimensiones NEMA NEMA Dimensions
	56 C
N	4.5
M	5.88
P	6.5
D	0.625
LM	7.11

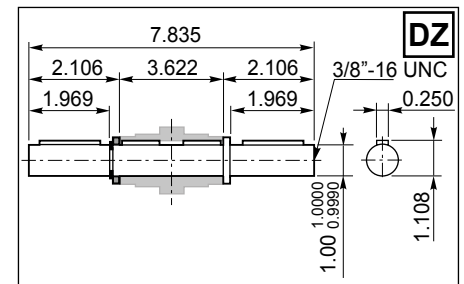
Eje de salida hueco / Hollow output shaft

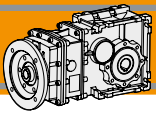


Eje de salida / Output shaft



Eje de salida / Output shaft





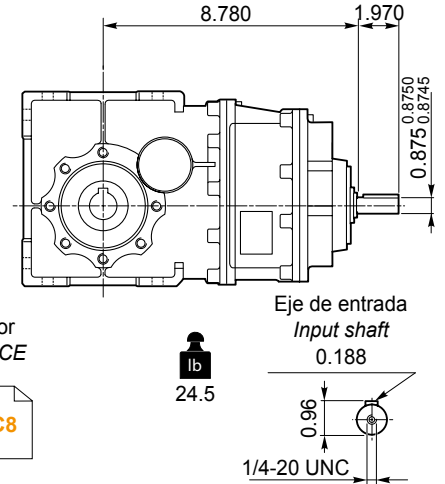
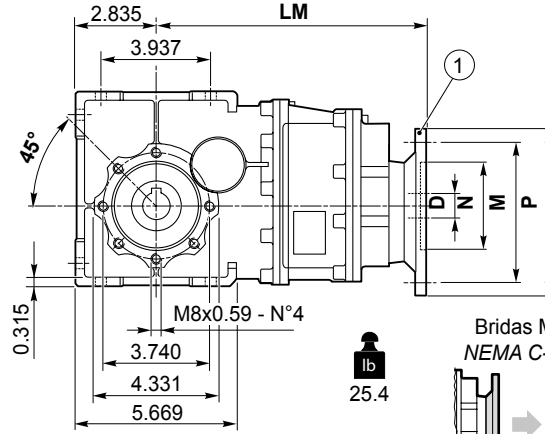
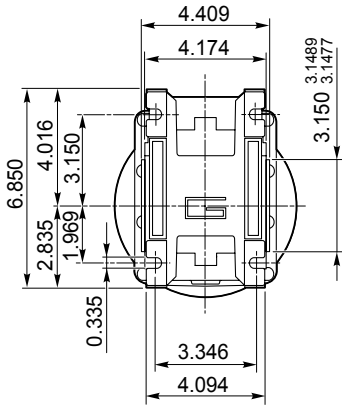
Dimensiones

Dimensions

CMB 633 - CMBIS 633

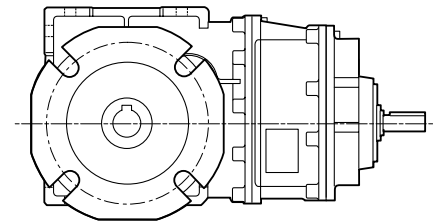
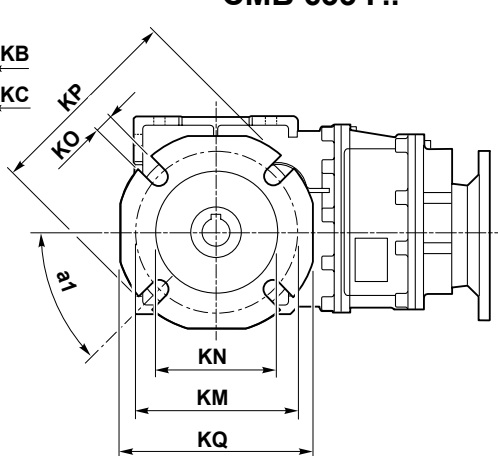
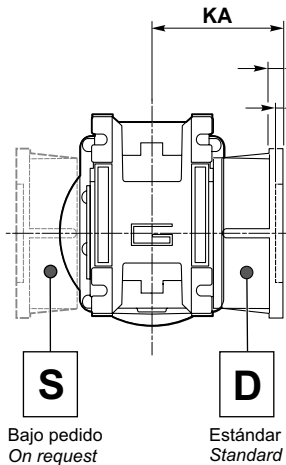
CMB 633 U

CMBIS 633 U



CMB 633 F..

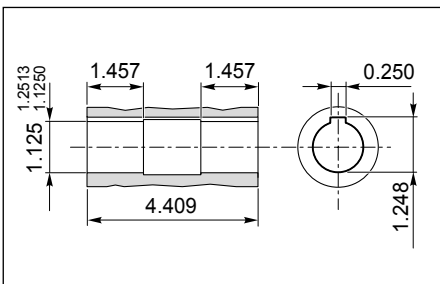
CMBIS 633 F..



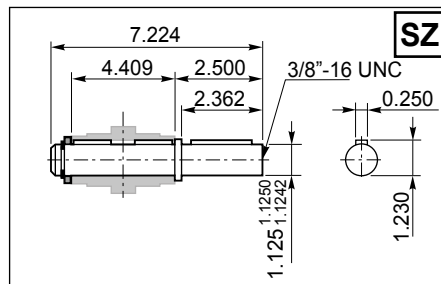
Versión F / F Version										
CMB CMBIS	a ₁	KA	KB	KC	KM	KN	KO	KP	□ KQ	Brida / Flange Tipo / Type
633	45°	3.228	0.394	0.236	5.906-6.299	4.528 4.5276	0.433	7.087	5.591	F
	45°	4.409	0.394	0.314	5.906-6.299	4.528 4.5276	0.433	7.087	5.591	FL
	45°	3.858	0.433	0.197	6.496-7.087	5.118 5.1181	0.433	7.874	6.229	FB

Brida Motor / Motor flange		
①	Dimensiones NEMA NEMA Dimensions	
	56 C	140 TC
N	4.5	4.5
M	5.88	5.88
P	6.5	6.5
D	0.625	0.875
LM	9.69	9.69

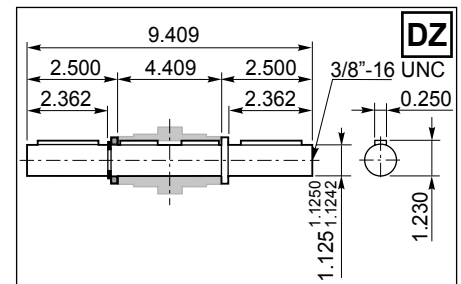
Eje de salida hueco / Hollow output shaft

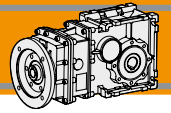


Eje de salida / Output shaft



Eje de salida / Output shaft





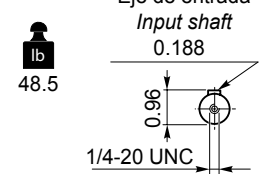
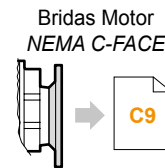
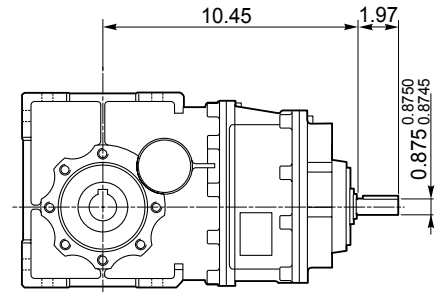
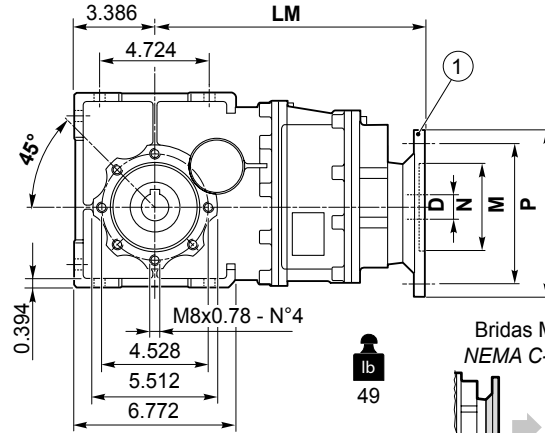
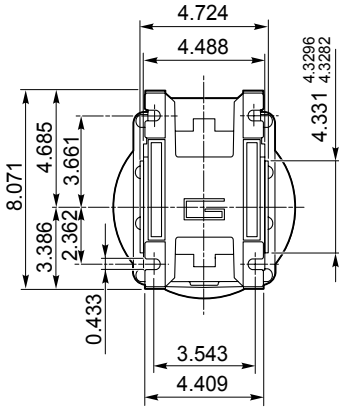
Dimensiones

Dimensions

CMB 903 - CMBIS 903

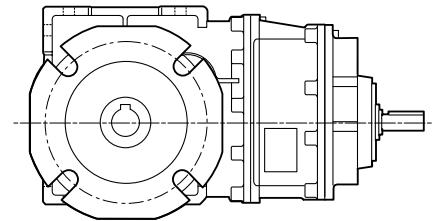
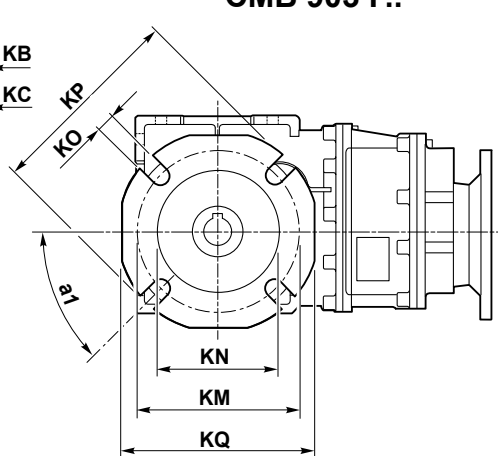
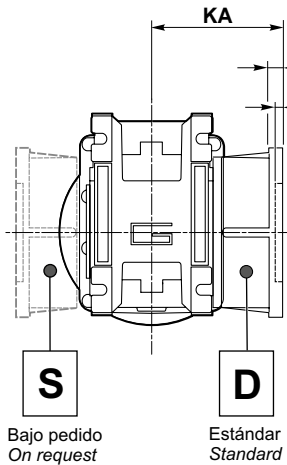
CMB 903 U

CMBIS 903 U



CMB 903 F..

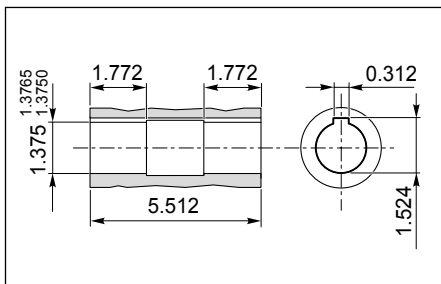
CMBIS 903 F..



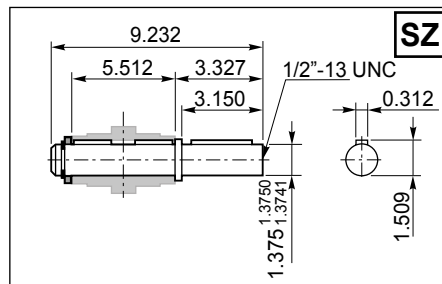
Versión F / F Version										
CMB CMBIS	a ₁	KA	KB	KC	KM	KN	KO	KP	□ KQ	Brida / Flange Tipo / Type
933	45°	4.37	0.512	0.236	6.890-7.480	5.984 5.9867 5.9843	0.551	8.268	7.874	F

Brida Motor / Motor flange			
①	Dimensiones NEMA NEMA Dimensions		
	56 C	140 TC	180 TC
N	4.5	4.5	8.5
M	5.88	5.88	7.25
P	6.5	6.5	9
D	0.625	0.875	1.125
LM	11.67	11.67	11.58

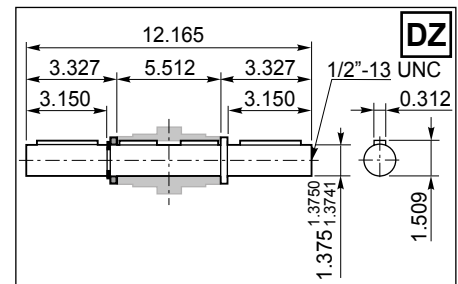
Eje de salida hueco / Hollow output shaft

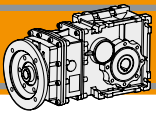


Eje de salida / Output shaft



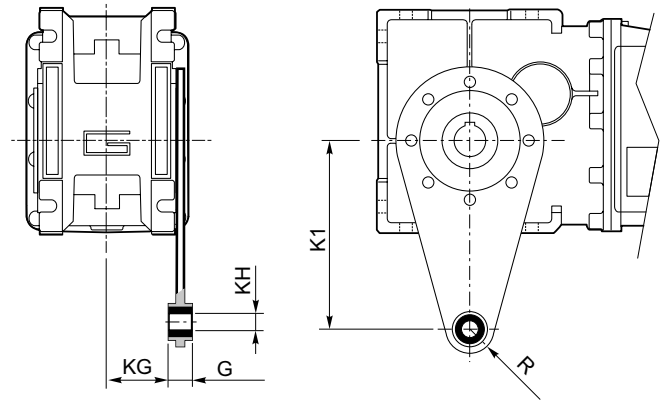
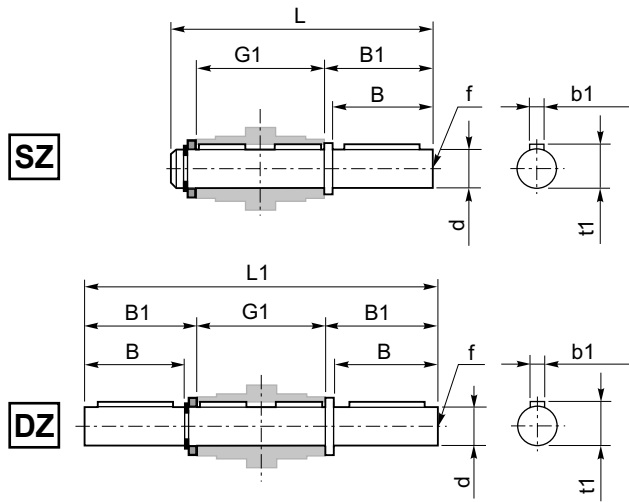
Eje de salida / Output shaft





Accesorios

Accessories



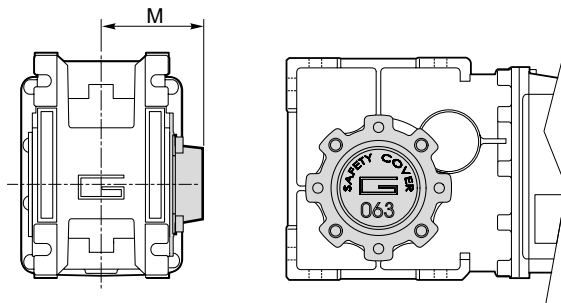
Eje de salida / Output shaft

Brazo de reacción / Torque arm

CMB	d	B	B1	G1	L	L1	f	b1	t1
402	0.750 <small>0.7500 0.7430</small>	1.969	20.87	3.071	5.394	7.244	1/4"-20	0.188	0.830
502	1.000 <small>1.0000 0.9992</small>	1.696	2.106	3.622	6.004	7.835	3/8"-16	0.250	1.108
633	1.125 <small>1.1250 1.1242</small>	2.362	2.500	4.409	7.224	9.409	3/8"-16	0.250	1.230
903	1.375 <small>1.3750 1.3741</small>	3.150	3.327	5.512	9.232	12.165	1/2"-13	0.312	1.509

CMB	K1	G	KG	KH	R
402	3.937	0.551	1.220	0.394	0.709
502	3.937	0.551	1.496	0.394	0.709
633	5.906	0.551	1.870	0.394	0.709
903	7.874	0.984	2.224	0.787	1.181

SC - Cubierta de seguridad / Safety cover



CMB	M
402	2.146
502	2.461
633	2.874
903	3.701



MA TRANSTECNO SAPI DE CV
 Av. Mundial # 176, Parque Industrial JM
 Apodaca, Nuevo León, C.P. 66600
 MÉXICO
 Tel: +52 8113340920
 info@transtecno.com.mx
 www.transtecno.com.mx



**TRANSTECNO SRL
 HEADQUARTERS**
 Via Caduti di Sabbiano, 11 D/E
 40011 Anzola Emilia (BO) - ITALY
 Tel. +39.051.6425811
 Fax +39.051.734943
 sales@transtecno.com
 www.transtecno.com



**HANGZHOU TRANSTECNO
 POWER TRANSMISSIONS CO; LTD**
 Changlian Road, Fengdu industry zone,
 Pingyao town Yuhang area,
 Hangzhou, 311115 - CHINA
 Tel. +86.571.86920260
 Fax +86.571.86921810
 info-china@transtecno.com
 www.transtecno.cn



BRANCH
 Via Ferrari, 27/11
 41043 Fraz. Corlo,
 Formigine (MO) - ITALY
 Tel. +39.059.557522
 Fax +39.059.557439
 sales@transtecno.com
 www.transtecno.com



CATALALUNEMA0115



SALES OFFICE BRAZIL
 Rua Dr. Freire Alemão 155 / 402
 CEP. 90450-060 Auxiliadora Porto Alegre-RS-BRAZIL
 Tel. +55.51.3251.5447
 Fax +55.51.3251.5447
 Mobile +55 51 811 45 962
 braziloffice@transtecno.com
 www.transtecno.com.br



TRANSTECNO B.V.
 De Stuwdam 43 ind. terrein Wieken/Vinkenhoef
 3815 KM Amersfoort - THE NETHERLANDS
 Tel. +31.(0)33.4519505
 Fax +31.(0)33.4519506
 info@transtecno.nl
 www.transtecno.nl



SALES OFFICE GUANGZHOU
 Room 401A, LeTian Building, No.188 TangAn Road,
 Tianhe District, Guangzhou City, 510665 - CHINA
 Tel. + 86 20 38776057
 Fax + 86 20 38776127
 guangzhouoffice@transtecno.com



SALES OFFICE USA
 5440 S.W. 156th Place Miami,
 FL 33185 - USA
 Tel.+1 (305) 220 4423
 Fax +1 (305) 220 5945
 usaoffice@transtecno.com



SALES OFFICE FRANCE
 12 Impasse des Mûriers 38300 Ruy - FRANCE
 Tel. +33 (0) 6 85 12 09 87
 Fax - Italy +39 051 733904
 franceoffice@transtecno.com
 www.transtecno.fr



SALES OFFICE INDIA
 A/10, Anagha, S.N Road, Mulund (W),
 Mumbai, 400080 - INDIA
 Fax - Italy +39 051 733904
 Mobile +91 9820614698
 indiaoffice@transtecno.com



SALES OFFICE SOUTH KOREA
 D-304 Songdo BRC Smart Valley 30,
 Songdomirae-ro, Yeonsu-gu, Incheon, 406-840,
 KOREA
 Tel. +82 (0) 70 8288 2107
 Fax +82 32 815 2107
 Mobile +82 10 5094 2107
 koreaoffice@transtecno.com
 www.transtecno.co.kr



SALES OFFICE OCEANIA
 Unit 3, 18-24 Ricketts Road
 Mount Waverley 3149 - AUSTRALIA
 Tel. +61 9544 8005
 Fax +61 9543 8005
 Mobile +61 0438 060 997
 oceaniaoffice@transtecno.com
 www.transtecno.com.au

TRANSTECNO®
 THE MODULAR GEARMOTOR
 www.transtecno.com